

TESLA

# UPRIGHT FREEZER

RU1600ME

## User Manual

ENG

AL

HU

MK

RO

SLO

SRB



Product images are for illustrative purposes only and may differ from the actual product.



# SAFETY WARNINGS

## WARNING:



**Warning:** risk of fire / flammable materials

## RECOMMENDATIONS:

- This appliance is intended to be used in household and similar applications such as staff kitchen areas in shops, offices and other working environments; farm houses and by clients in hotels, motels and other residential type environments; bed and breakfast type environments; catering and similar non-retail applications.
  - If the supply cord is damaged, it must be replaced by the manufacturer, its service agent or similarly qualified persons in order to avoid a hazard.
  - Do not store explosive substances such as aerosol cans with a flammable propellant in this appliance.
  - The appliance has to be unplugged after use and before carrying out user maintenance on the appliance.
  - **WARNING:** Keep ventilation openings, in the appliance enclosure or in the built-in structure, clear of obstruction.
  - **WARNING:** Do not use mechanical devices or other means to accelerate the defrosting process, other than those recommended by the manufacturer.
  - **WARNING:** Do not damage the refrigerant circuit.
  - **WARNING:** Do not use electrical appliances inside the food storage compartments of the appliance, unless they are of the type recommended by the manufacturer.
  - **WARNING:** Please abandon the appliance according to local regulators for it use flammable blowing gas and refrigerant.
  - **WARNING:** When positioning the appliance, ensure the supply cord is not trapped or damaged.
  - **WARNING:** Do not locate multiple portable socket-outlets or portable power supplies at the rear of the appliance.
  - Do not use extension cords or ungrounded (two prong) adapters.
  - **DANGER:** Risk of child entrapment. Before you throw away the appliance:
    - Take off the doors.
    - Leave the shelves in place so that children may not easily climb inside.
  - The appliance must be disconnected from the source of electrical supply before attempting the installation of accessory.
  - Refrigerant and cyclopentane foaming material used for the refrigerator are flammable. Therefore, when the refrigerator is scrapped, it shall be kept away from any fire source and be recovered by a special recovering company with corresponding qualification other than be disposed by combustion, so as to prevent damage to the environment or any other harm.
  - For EN standard: This appliance can be used by children aged from 8 years and above and persons with reduced physical sensory or mental capabilities or lack of experience and knowledge if they have been given supervision or instruction concerning use of the appliance in a safe way and understand the hazards involved. Children shall not play with the appliance. Cleaning and user maintenance shall not be made by children without supervision. Children aged from 3 to 8 years are allowed to load and unload refrigerating appliances.
  - For IEC standard: This appliance is not intended for use by persons (including children) with reduced physical, sensory or mental capabilities, or lack of experience and knowledge, unless they have been given supervision or instruction concerning use of the appliance by a person responsible for their safety.)
  - Children should be supervised to ensure that they do not play with the appliance.
  - The instructions shall include the substance of the following: To avoid contamination of food, please respect the following instructions:
    - Opening the door for long periods can cause a significant increase of the temperature in the compartments of the appliance.
    - Clean regularly surfaces that can come in contact with food and accessible drainage systems.
    - Clean water tanks if they have not been used for 48 h; flush the water system connected to a water supply if water has not been drawn for 5 days. (note 1)
    - Store raw meat and fish in suitable containers in the refrigerator, so that it is not in contact with or drip onto other food.
    - Two-star [x x] frozen-food compartments are suitable for storing pre-frozen food, storing or making ice-cream and making ice cubes. (note 2)
    - One [x], two [x x] and three-star [x x x] compartments are not suitable for the freezing of fresh food. (note 3)
    - If the refrigerating appliance is left empty for long periods, switch off, defrost, clean, dry, and leave the door open to prevent mould developing within the appliance.
- Note 1,2,3: Please confirm whether it is applicable according to your product compartment type.

## Meaning of safety warning symbols



This is a prohibition symbol. Any incompilance with instructions marked with this symbol may result in damage to the product or endanger the personal safety of the user.



This is a warning symbol. It is required to operate in strict observance of instructions marked with this symbol; or otherwise damage to the product or personal injury may be caused.



This is a cautioning symbol. Instructions marked with this symbol require special caution. Insufficient caution may result in slight or moderate injury, or damage to the product.

This manual contains lots of important safety information which shall be observed by the users.

## Electricity related warnings

- Do not pull the power cord when pulling the power plug of the refrigerator. Please firmly grasp the plug and pull out it from the socket directly.
- To ensure safe use, do not damage the power cord or use the power cord when it is damaged or worn.
- Please use a dedicated power socket and the power socket shall not be shared with other electrical appliances.  
The power plug should be firmly contacted with the socket or else fires might be caused.
- Please ensure that the grounding electrode of the power socket is equipped with a reliable grounding line.
- Please turn off the valve of the leaking gas and then open the doors and windows in case of leakage of gas and other flammable gases. Do not unplug the refrigerator and other electrical appliances considering that spark may cause a fire.
- Do not use electrical appliances on the top of the appliance, unless they are of the type recommended by the manufacturer.

## Warnings for using

- Do not arbitrarily disassemble or reconstruct the refrigerator, nor damage the refrigerant circuit; maintenance of the appliance must be conducted by a specialist.
- Damaged power cord must be replaced by the manufacturer, its maintenance department or related professionals in order to avoid danger.
- The gaps between refrigerator doors and between doors and refrigerator body are small, be noted not to put your hand in these areas to prevent from squeezing the finger. Please be gentle when open the refrigerator door to avoid falling articles.
- Do not pick foods or containers with wet hands in the freezing chamber when the refrigerator is running, especially metal containers in order to avoid frostbite.
- Do not allow any child to get into or climb the refrigerator; otherwise suffocation or falling injury of the child may be caused.
- Do not place heavy objects on the top of the refrigerator considering that objectives may fall when close or open the door, and accidental injuries might be caused.
- Please pull out the plug in case of power failure or cleaning. Do not connect the freezer to power supply within five minutes to prevent damages to the compressor due to successive starts.

## Warnings for placement

- Do not put flammable, explosive, volatile and highly corrosive items in the refrigerator to prevent damages to the product or fire accidents.
- Do not place flammable items near the refrigerator to avoid fires.
- The refrigerator is intended for household use, such as storage of foods; it shall not be used for other purposes, such as storage of blood, drugs or biological products, etc.
- Do not store beer, beverage or other fluid contained in bottles or enclosed containers in the freezing chamber of the refrigerator; otherwise the bottles or enclosed containers may crack due to freezing to cause damages.

## Warnings for energy

1. Refrigerating appliances might not operate consistently (possibility of defrosting of contents or temperature becoming too warm in the frozen food compartment) when sited for an extended period of time below the cold end of the range of temperatures for which the refrigerating appliance is designed.
2. The fact that effervescent drinks should not be stored in food freezer compartments or cabinets or in low-temperature compartments or cabinets, and that some products such as water ices should not be consumed too cold;
3. The need to not exceed the storage time(s) recommended by the food manufacturers for any kind of food and particularly for commercially quick-frozen food in food-freezer and frozen-food storage compartments or cabinets;
4. The precautions necessary to prevent an undue rise in the temperature of the frozen food while defrosting the refrigerating appliance, such as wrapping the frozen food in several layers of newspaper.
5. The fact that a rise in temperature of the frozen food during manual defrosting, maintenance or cleaning could shorten the storage life.
6. The necessity that, for doors or lids fitted with locks and keys, the keys be kept out of the reach of children and not in the vicinity of the refrigerating appliance, in order to prevent children from being locked inside

## Warnings for disposal



Refrigerant and cyclopentane foaming material used for the refrigerator are flammable. Therefore, when the refrigerator is scraped, it shall be kept away from any fire source and \ be recovered by a special recovering company with corresponding qualification other than be disposed by combustion, so as to prevent damage to the environment or any other harm.



When the refrigerator is scraped, disassemble the doors, and remove gasket of door and shelves; put the doors and shelves in a proper place, so as to prevent trapping of any child.



Correct Disposal of this product:

This marking indicates that this product should not be disposed with other household wastes throughout the EU. To prevent possible harm to the environment or human health from uncontrolled waste disposal, recycle it responsibly to promote the sustainable reuse of material resources. To return your used device, please use the return and collection systems or contact the retailer where the product was purchased. They can take this product for environmental safe recycling.

# PROPER USE OF REFRIGERATORS

## Placement

- Before use, remove all packing materials, including bottom cushions, foam pads and tapes inside of the refrigerator; tear off the protective film on the doors and the refrigerator body.
- Keep away from heat and avoid direct sunlight. Do not place the freezer in moist or watery places to prevent rust or reduction of insulating effect.
- Do not spray or wash the refrigerator; do not put the refrigerator in moist places easy to be splashed with water so as not to affect the electrical insulation properties of the refrigerator.
- The refrigerator is placed in a well-ventilated indoor place; the ground shall be flat, and sturdy (rotate left or right to adjust the wheel for leveling if unstable).
- The top space of the refrigerator shall be greater than 30cm, and The refrigerator should be placed against a wall with a free distance more than 10cm to facilitate heat dissipation.

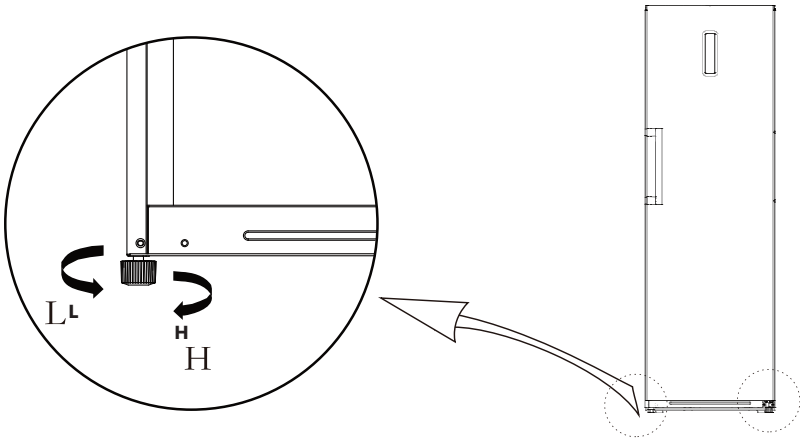
## Levelling feet

### 1. Precautions before operation:

Before operation of accessories, it shall be ensured that the refrigerator is disconnected from power.

Before adjusting the leveling feet, precautions shall be taken to prevent any personal injury.

### 2. Schematic diagram of the leveling feet



The picture above is only for reference. The actual configuration will depend on the physical product or statement by the distributor.

### 3. Adjusting procedures:

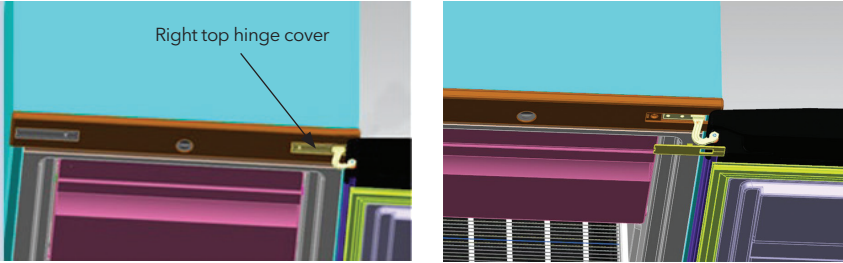
- Turn the feet clockwise to raise the refrigerator;
- Turn the feet counterclockwise to lower the refrigerator;
- Adjust the right and left feet based on the procedures above to a horizontal level.

# INSTALLATION

## Reversing the Door Swing

Tools Required: Phillips style screwdriver / Flat-blade screwdriver / Hexagonal spanner/ Hexagonal socket wrench

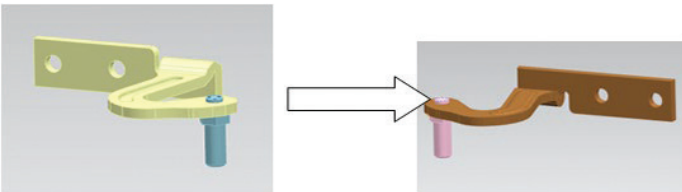
1. Remove the right top hinge cover .



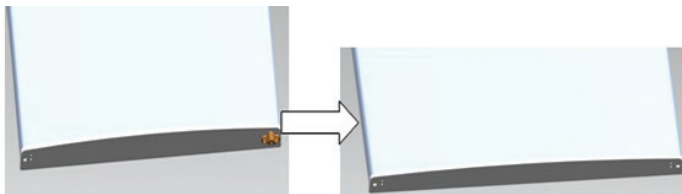
2. Remove the screws fixed the top-hinge with cross-slot screwdriver.



3. Replace the top-hinge and the top-door limit block and the door bearing bush to the other side.  
A. Remove the nut with sleeve. Take off the washer then remove the axes to the other side and fixed.



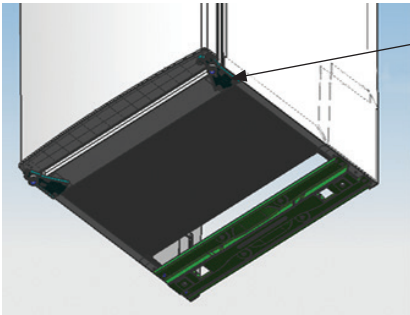
B. Remove the door limit block



C. Please taking out another door limit block, with screw mounting to the door



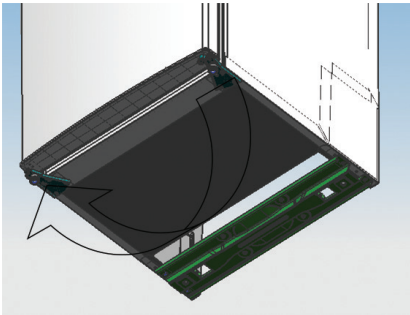
4. Disassemble the screws fixed the bottom-hinge with hexagonal socket wrench .



The screws fixed the bottom-hinge

Note:  
the refrigerator-freezer incline angle less 45°.

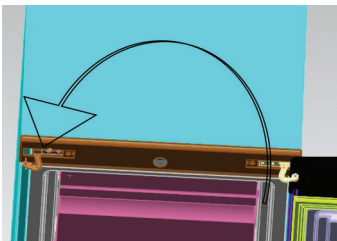
5. Replace the bottom hinge to the other side then fix it with screws.



6. Set the door right position ,fix the mid-hinge .



7. Replace the top-hinge.

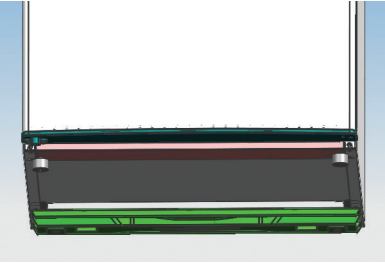


8. Set the top door right position , fix the top-hinge and the cover.





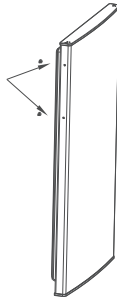
9. Replace the leveler to the other side and adjust it to make sure the cabinet level.



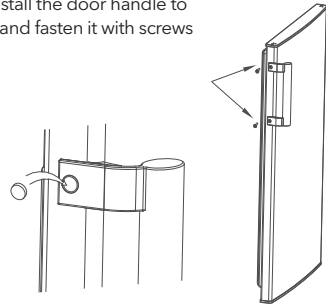
## Door Handle Install Illumination (optional)

Note: Figures in the user manual are only for reference. The actual product may differ slightly. The refrigerator must be disconnected from the source of electrical supply before attempting the installation of accessory.

Step 1: take out two plug pins from the door (Side of door open)



Step 2: Install the door handle to the door and fasten it with screws

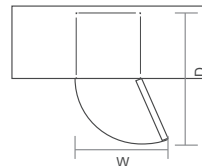


Step 3: Cover screw caps of the handle into screw holes



## Door Space Requirements

The unit's door must be able to open fully as shown.  $W \times D \geq 902 \times 1052 \text{mm}$

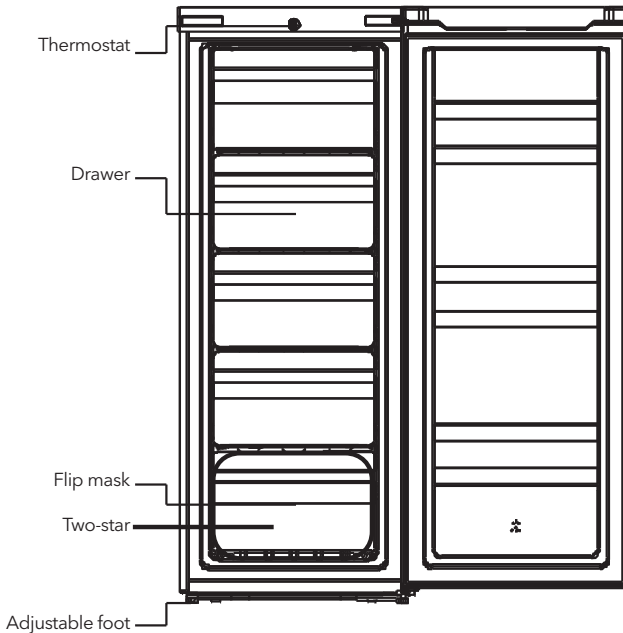


## Energy saving tips

- The appliance should be located in the coolest area of the room, away from heat producing appliances or heating ducts, and out of the direct sunlight.
- Let hot foods cool to room temperature before placing in the appliance. Overloading the appliance forces the compressor to run longer. Foods that freeze too slowly may lose quality, or spoil.
- Be sure to wrap foods properly, and wipe containers dry before placing them in the appliance. This cuts down on frost build-up inside the appliance.
- Appliance storage bin should not be lined with aluminum foil, wax paper, or paper toweling. Liners interfere with cold air circulation, making the appliance less efficient.
- Organize and label food to reduce door openings and extended searches. Remove as many items as needed at one time, and close the door as soon as possible.

## STRUCTURE AND FUNCTIONS

### Key components



All images in this instruction manual are for indication only; please refer to your individual unit for details.

Two-star (✱ ✱) frozen-food compartments are suitable for storing pre-frozen food, storing or making ice-cream and making ice cubes, not suitable for the freezing of fresh food.

### Refrigerator

- The Refrigerating Chamber is suitable for storage of a variety of fruits, vegetables, beverages and other food consumed in the short term.
- Cooking foods shall not be put in the refrigerating chamber until cooled to room temperature.
- Foods are recommended to be sealed up before putting into the refrigerator.
- The glass shelves can be adjusted up or down for a proper storage space and easy use.

### Freezer

- The low temperature freezing chamber may keep food fresh for a long time and it is mainly used to store frozen foods and making ice.
- The freezing chamber is suitable for storage of meat, fish, rice balls and other foods not to be consumed in short term.
- Chunks of meat are preferably to be divided into small pieces for easy access. Please be noted food shall be consumed within the shelf time.

Note: Storage of too much food during operation after the initial connection to power may adversely affect the freezing effect of the refrigerator. Foods stored shall not block the air outlet; or otherwise the freezing effect will also be adversely affected.

## OPERATION

### Switching On Your Unit

- The temperature selector knob is located on the middle of the upper beam.  
Setting "Min": Less Cool Temperature  
Setting "Mid": Normal Operation (adequate for most situations)  
Setting "Max": Coolest Temperature
- During high ambient temperatures e.g. on hot summer days. It may be necessary to set the thermostat to the Coolest setting (position "Max"). This may cause the compressor running continuously in order to maintain a low temperature in the cabinet.
- For the first time you install your refrigerator, set the thermostat knob at "Mid".

Give your refrigerator time to cool down completely before adding food. It is the best to wait 24 hours before adding food. The thermostat knob controls the temperature.

### Noise Inside the Unit!

You may notice that your unit makes some unusual noises. Most of these are perfectly normal, but you should be aware of them!

These noises are caused by the circulation of the refrigerant liquid in the cooling system. It has become more pronounced since the introduction of CFC free gases. This is not a fault and will not affect the performance of your unit. This is the compressor motor working, as it pumps the refrigerant around the system.

### Tips for Keeping Food in the Unit

- Keep raw meats/fishes in a container which is large enough to collect juices and cover it properly. Place the container on the lowest drawer.
- Leave space around your food, to allow air to circulate inside the unit. Ensure all parts of the unit are kept cool.
- To prevent transfer of flavours and drying out, pack or cover the food separately.
- Always let pre-cooked food cool down before you put in the unit. This will help to maintain the internal temperature of the unit.
- To prevent cold air escaping from the unit, try to limit the number of times you open the door. We recommend that you only open the door when you need to put food in or take food out.

# MAINTENANCE AND CARE OF THE APPLIANCE

## Overall cleaning

- Dusts behind the refrigerator and on the ground shall be timely cleaned to improve the cooling effect and energy saving.
- Check the door gasket regularly to make sure there are no debris. Clean the door gasket with a soft cloth dampened with soapy water or diluted detergent.
- The interior of the refrigerator should be cleaned regularly to avoid odor.
- Please turn off the power before cleaning interior, remove all foods, drinks, shelves, drawers, etc.
- Use a soft cloth or sponge to clean the inside of the refrigerator, with two tablespoons of baking soda and a quart of warm water. Then rinse with water and wipe clean. After cleaning, open the door and let it dry naturally before turning on the power.
- For areas that are difficult to clean in the refrigerator (such as narrow sandwiches, gaps or corners), it is recommended to wipe them regularly with a soft rag, soft brush, etc. and when necessary, combined with some auxiliary tools (such as thin sticks) to ensure no contaminants or bacterials accumulation in these areas.
- Do not use soap, detergent, scrub powder, spray cleaner, etc., as these may cause odors in the interior of the refrigerator or contaminated food.
- Clean the bottle frame, shelves and drawers with a soft cloth dampened with soapy water or diluted detergent. Dry with a soft cloth or dry naturally.
- Wipe the outer surface of the refrigerator with a soft cloth dampened with soapy water, detergent, etc., and then wipe dry.
- Do not use hard brushes, clean steel balls, wire brushes, abrasives (such as toothpastes), organic solvents (such as alcohol, acetone, banana oil, etc.), boiling water, acid or alkaline items, which may damage the fridge surface and interior. Boiling water and organic solvents such as benzene may deform or damage plastic parts.
- Do not rinse directly with water or other liquids during cleaning to avoid short circuits or affect electrical insulation after immersion.



Please unplug the refrigerator for defrost and cleaning.

## Defrosting

1. Power off the freezer.
2. Remove the food from the freezer and place it properly to prevent food from melting.
3. Clear the drainpipe (to use soft materials to prevent damage to the liner), Prepare the water containers for defrosting. (pay attention to clean the compressor compartment water draining tray, avoiding overflow to the ground).
4. You can use the natural temperature for the natural defrost, you can also use the ice shovel to eliminate the frost (to use plastic or wooden ice shovel, for avoiding damage to the liner or pipe)
5. You can also use the appropriate amount of hot water to speed up the defrost, with a dry towel to dry the water after defrosting.
6. After defrosting, put back the food in cabinet, and power on the freezer.

## Out of operation

- Power failure: In case of power failure, even if it is in summer, foods inside the appliance can be kept for several hours; during the power failure, the times of door opening shall be reduced, and no more fresh food shall be put into the appliance.
- Long-time nonuse: The appliance shall be unplugged and then cleaned; then the doors are left open to prevent odor.
- Moving: Before the refrigerator is moved, take all objects inside out, fix the glass partitions, vegetable holder, freezing chamber drawers and etc. with tape, and tighten the leveling feet; close the doors and fix them with tape. During moving, the appliance shall not be laid upside down or horizontally, or be vibrated; the inclination during movement shall be no more than 45°.



The appliance shall run continuously once it is started. Generally, the operation of the appliance shall not be interrupted; otherwise the service life may be impaired.

## TROUBLESHOOTING

You may try to solve the following simple problems by yourself.  
If them cannot be solved, please contact the after-sales department.

|                                       |  |
|---------------------------------------|--|
| Failed operation                      | <p>Check whether the appliance is connected to power or whether the plug is in well contact</p> <p>Check whether the voltage is too low</p> <p>Check whether there is a power failure or partial circuits have tripped</p>   |
| Odor                                  | <p>Odorous foods shall be tightly wrapped</p> <p>Check whether there is any rotten food</p> <p>Clean the inside of the refrigerator</p>  |
| Long-time operation of the compressor | <p>Long operation of the refrigerator is normal in summer when the ambient temperature is high</p> <p>It is not suggestible having too much food in the appliance at the same time</p> <p>Food shall get cool before being put into the appliance</p> <p>The doors are opened too frequently</p> |
| Light fails to get lit                | <p>Check whether the refrigerator is connected to power supply and whether the illuminating light is damaged</p> <p>Have the light replaced by a specialist</p>  |
| Doors cannot be properly closed       | <p>The door is stuck by food packages</p> <p>The refrigerator is tilted</p>  |
| Loud noise                            | <p>Check whether the floor is level and whether the refrigerator is placed stably</p> <p>Check whether accessories are placed at proper locations</p>  |
| Door seal fails to be tight           | <p>Remove foreign matters on the door seal</p> <p>Heat the door seal and then cool it for restoration<br/>(or blow it with an electrical drier or use a hot towel for heating)</p>   |
| Water pan overflows                   | <p>There is too much food in the chamber or food stored contains too much water, resulting in heavy defrosting</p> <p>The doors are not closed properly, resulting in frosting due to entry of air and increased water due to defrosting</p>   |
| Hot housing                           | <p>Heat dissipation of the built-in condenser via the housing, which is normal.</p> <p>When housing becomes hot due to high ambient temperature and storage of too much food, it is recommended to provide sound ventilation to facilitate heat dissipation.</p>                                 |
| Surface condensation                  | <p>Condensation on the exterior surface and door seals of the refrigerator is normal when the ambient humidity is too high. Just wipe the condensate with a clean towel.</p>   |
| Abnormal noise                        | <p>Buzz: The compressor may produce buzzes during operation, and the buzzes are loud particularly upon start or stop. This is normal.</p> <p>Creak: Refrigerant flowing inside of the appliance may produce creak, which is normal.</p>  |

# PARALAJMËRIME TË SIGURISË

## PARALAJMËRIM:



**Paralajmërim:** rrezik zjarri/materiale të ndezshme

## REKOMANDIME:

- Kjo pajisje është menduar për përdorim në amvisëri dhe përdorime të ngjashme si kuzhinat e personelit në dyqane, zyra dhe ambiente të tjera pune; shtëpi fermash dhe nga klientët në hotele, motele dhe mjedise të tjera të tipit rezidencial; ambiente të fjetjes dhe mëngjesit; mikpritje dhe aplikacione të ngjashme jo-shtëse.
- Nëse kordoni i rrymës është i dëmtuar, ai duhet të zëvendësohet nga prodhuesi, agjenti i tij i shërbimit ose persona të ngjashëm të kualifikuar për të shmangur një rrezik.
- Mos ruani substanca shpërthyes si kanaçe aerosol me karburant të ndezshëm në këtë pajisje.
- Pajisja duhet të shkëputet nga furnizimi me energji elektrike pas përdorimit dhe përpara se të kryeni mirëmbajtjen e pajisjes nga përdoruesi.
- **PARALAJMËRIM:** Mbani hapjet e ventilimit, në kutinë e pajisjes ose në strukturën e integruar, pa pengesa.
- **PARALAJMËRIM:** Mos përdorni pajisje mekanike ose mjete të tjera për të përshpejtuar shkrijën proces, përveç atyre të rekomanduara nga prodhuesi.
- **PARALAJMËRIM:** Mos e dëmtoni qarkun e ftohësit.
- **PARALAJMËRIM:** Mos përdorni pajisje elektrike brenda ndarjeve të magazinimit të ushqimit të pajisjes, nëse nuk janë të tipit të rekomanduar nga prodhuesi.
- **PARALAJMËRIM:** Ju lutemi hidheni pajisjen sipas rregulloreve lokale pasi përdor gaz të ndezshëm dhe ftohës.
- **PARALAJMËRIM:** Kur konfiguroni pajisjen, sigurohuni që kordoni i energjisë të mos jetë i bllokuar ose i dëmtuar.
- **PARALAJMËRIM:** Mos vendosni priza të shumta portative ose furnizime portative me energji në pjesën e pasme të pajisjes.
- Mos përdorni kordona zgjatues ose adaptorë të pa tokëzuar (dy dhëmbëza).
- **RREZIK:** Rreziku i bllokimit të fëmijës. Përpara hedhjes së pajisjes:
  - Lëiqi dyert.
  - Lërini raftet në vend në mënyrë që fëmijët të mos mund të ngjiten lehtësisht brenda.
- Pajisja duhet të shkëputet nga burimi i energjisë përpara se të tentoni të instaloni pajisje shtëse.
- Materiali ftohës dhe shkuma ciklopentani i përdorur për ftohësin janë të ndezshëm. Prandaj, kur frigoriferi hidhet, ai duhet të mbahet larg çdo burimi zjarri dhe të merret nga një kompani e veçantë rikuperimi me mjetet e duhura. Kualifikim i ndryshëm nga ai për t'u asgjësuar me djegie, për të parandaluar dëmtimin e mjedisit ose ndonjë dëm tjetër.
- Për standardin EN: Kjo pajisje mund të përdoret nga fëmijët e moshës 8 vjeç e lart dhe personat me ndjeshmëri fizike ose mendore të reduktuar aftësitë ose mungesën e përvojës dhe njohurive nëse u është dhënë mbikëqyrje ose udhëzime në lidhje me përdorimin e sigurt të pajisjes dhe nëse i kuptojnë rreziqet e përfshira. Fëmijët nuk duhet të luajnë me pajisjen. Pastrimi dhe mirëmbajtja e përdoruesit nuk duhet të kryhen nga fëmijë të pamikëqyrrur. Fëmijët e moshës 3 deri në 8 vjeç vjet lejohen të ngarkojnë dhe shkarkojnë pajisjet ftohëse.
- Për standardin IEC: Kjo pajisje nuk është menduar për t'u përdorur nga persona (përfshirë fëmijët) me aftësi të reduktuara fizike, shqisore ose mendore, ose me mungesë përvojë dhe njohurish, përveç rasteve kur atyre u është dhënë mbikëqyrje ose udhëzime në lidhje me përdorimin e pajisjes nga një person. përgjegjës për sigurinë e tyre.)
- Fëmijët duhet të mbikëqyren për t'u siguruar që të mos luajnë me pajisjen.
- Udhëzimet duhet të përbajnë substancat e mëposhtme: Për të shmangur ndotjen e ushqimit, ju lutemi ndiqni udhëzimet e mëposhtme:
  - Hapja e derës për një kohë të gjatë mund të shkaktojë një rritje të ndjeshme të temperaturës në ndarjet e pajisjes.
  - Pastroni rregullisht sipërfaqet në kontakt me ushqimin dhe sistemet e kullimit të aksesueshëm.
  - Pastroni rezervuarët e ujit nëse nuk përdoren për 48 orë; shpëlahjeni sistemin hidraulik të lidhur me ujësjellësin nëse nuk merret ujë për 5 ditë. (shënim 1)
  - Ruani mishin dhe peshkun e papërpunuar në enë të përshtatshme në frigorifer, në mënyrë që të mos bien në kontakt me ushqime të tjera ose të pikojnë mbi të.
  - Ndarjet e ushqimeve të ngrira me dy yje fjanë të përshtatshme për ruajtjen e ushqimeve të ngrira paraprakisht, ruajtjen ose përgatitjen e akullores dhe prodhimin e kubeve të akullit. (shënimi 2)
  - Ndarjet me një , dy dhe tre yje nuk janë të përshtatshme për ngrirjen e ushqimeve të freskëta. (shënimi 3)
  - Nëse pajisja frigoriferike lihet bosh për një kohë të gjatë, fiken, shkruni, pastroni, thajeni dhe lëri derën hapur për të parandaluar rritjen e mykut brenda pajisjes.

Shënim 1,2,3: Ju lutemi konfirmoni nëse është i zbatueshëm sipas llojit të ndarjes së produktit tuaj.

## Kuptimi i simboleve paralajmëruese të sigurisë



Ky është një simbol ndalimi. Çdo mosrespektim i udhëzimeve të shënuara me këtë simbol mund të rezultojë në dëmtim të produktit ose të rrezikojë sigurinë personale të përdoruesit.



Ky është një simbol paralajmërues. Është e nevojshme të punohet në përputhje të rreptë me udhëzimet e shënuara me këtë simbol; ose përndryshe mund të shkaktojë dëmtim të produktit ose lëndim personal.



Ky është një simbol paralajmërues. Udhëzimet e shënuara me këtë simbol kërkojnë kujdes të veçantë. mungesa e kujdesit mund të rezultojë në lëndime të vogla ose të mesme ose dëmtime të produktit.

Ky manual përmban informacione shumë të rëndësishme të sigurisë që përdoruesit duhet të respektojnë.

## Paralajmërimet elektrike

- Mos e tërhiqni kordonin e rrymës kur tërhiqni spinën elektrike të frigoriferit. Ju lutemi, kapeni fort spinën dhe tërhiqeni drejtpërdrejt nga priza.
- Për të siguruar përdorim të sigurt, mos e dëmtoni kordonin e rrymës dhe mos e përdorni kordonin e rrymës kur është i dëmtuar ose i prishur.
- Ju lutemi përdorni një prizë të veçantë dhe priza nuk duhet të ndahet me pajisje të tjera elektrike.
- Spina duhet të jetë fort në kontakt me prizën, përndryshe mund të ndodhin zjarre.
- Ju lutemi sigurohuni që elektroda e tokëzimit të prizës të jetë e pajisur me një linjë tokëzimi të besueshëm.
- Ju lutemi fikni valvulën e gazit që rrjedh dhe më pas hapni dyert dhe dritaret në rast të rrjedhjes së gazit dhe gazrave të tjerë të ndezshëm. Mos e fikni frigoriferin dhe pajisjet e tjera elektrike, duke pasur parasysh se një shkëndijë mund të shkaktojë zjarr.
- Mos përdorni pajisje elektrike sipër pajisjes nëse nuk janë të tipit të rekomanduar nga prodhuesi.

## Paralajmërimet për përdorim

- Mos e çmontoni ose rindërtoni në mënyrë arbitrare frigoriferin dhe mos e dëmtoni qarkun e ftohësit; mirëmbajtja e pajisjes duhet të kryhet nga një specialist.
- Një kordon i dëmtuar i rrymës duhet të zëvendësohet nga prodhuesi, departamenti i tij i mirëmbajtjes ose profesionistë të lidhur për të shmangur një rrezik.
- Boshllëqet midis dyerve të frigoriferit dhe midis dyerve dhe trupit të frigoriferit janë të vogla, kini kujdes që të mos e vendosni dorën në këto zona për të parandaluar shtrëngimin e gishtit. Ju lutemi tregohuni të butë kur hapni derën e frigoriferit për të shmangur rënien e objekteve.
- Mos zgjidhni ushqime ose enët me duar të lagura në ndarjen e ngrirësit kur frigoriferi është duke punuar, veçanërisht enë metalike për të shmangur ngricat.
- Mos lejoni asnjë fëmijë të hyjë ose të ngjitet në frigorifer; përndryshe mund të shkaktojë mbytje ose dëmtim nga rrëzimi tek fëmija.
- Mos vendosni objekte të rënda në pjesën e sipërme të frigoriferit, duke pasur parasysh se objektet mund të bien kur mbyllni ose hapni derën dhe mund të shkaktojnë lëndime aksidentale.
- Ju lutemi hiqni prizën në rast të ndërprerjes së energjisë ose pastrimit. Mos e lidhni ngrirësin me energji brenda pesë minutave për të parandaluar dëmtimin e kompresorit për shkak të ndezjeve të njëpasnjëshme.

## Paralajmërimet për vendosja

- Bëni jo rrugë e ndezshme, eksploziv, i paqëndrueshëm dhe shumë gërryes artikujt në të frigorifer se parandalojnë dëmet se të produkt ose zjarrit aksidentet.
- Bëni jo vend të ndezshme artikujt afër të frigorifer se shmangni zjarret.
- Të frigorifer është synuar për amvisëri përdorni të tilla si magazinimit e ushqime; atë do të jo të jetë të përdorura për tjera qëllimi, të tilla si magazinimit e gjaku, droga ose biologjike produkte, etj.
- Bëni jo dyqan birrë pije ose tjera lëng të përmbajtura në shishe ose i mbyllur kontejnerët në të ngrirjes dhoma e të frigorifer; ndryshe të shishe ose i mbyllur kontejnerët mund plasaritje për shkak se ngrirjes se shkaku dëmet.

## Paralajmërimet për energjinë

1. Frigoriferët mund të mos funksionojnë në mënyrë të qëndrueshme (mundësia e shkrires së përmbajtjes ose temperatura që të bëhet shumë e nxehtë në ndarjen e ushqimeve të ngrira) kur vendosen për periudha të gjata kohore nën skajin e ftohtë të diapazonit të temperaturës të projektuar të frigoriferit.
2. Fakti që pijet e gazuara nuk duhet të ruhen në ndarje ose dollapë të ngrirësve të ushqimit ose në ndarje ose dollapë me temperaturë të ulët dhe se disa produkte si akulloret e ujit nuk duhet të konsumohen shumë të ftohta;
3. Nevoja për të mos tejkaluar kohën(et) e magazinimit të rekomanduara nga prodhuesit e ushqimit për çdo lloj ushqimi, dhe në veçanti për ushqimet komerciale të ngrira shpejt në dhomat ose dollapët e ngrirësve dhe ushqimeve të ngrira;
4. Masat paraprake të nevojshme për të parandaluar rritjen e panevojshme të temperaturës së ushqimeve të ngrira gjatë shkrires së frigoriferit, si p.sh. mbështjellja e ushqimit të ngrirë në disa shtresa gazete.
5. Fakti që rritja e temperaturës së ushqimit të ngrirë gjatë shkrires manuale, mirëmbajtjes ose pastrimit mund të shkurtojë jetëgjatësinë.
6. Domosdoshmëria, për dyer ose mbulesa të pajisura me bravë dhe çelësa, për t'i mbajtur çelësat jashtë mundësive të fëmijëve dhe jo pranë pajisjes frigoriferike, në mënyrë që të parandalohen fëmijët të mbyllën brenda.

## Paralajmërimet për asgjësimin



Materiali ftohës dhe shkuma ciklopentani i përdorur për frigoriferin janë të ndezshëm. Prandaj, kur ftohësi fshihet, ai duhet të mbahet larg çdo burimi zjarri dhe të rikuperohet nga një kompani e posaçme rikuperimi me kualifikim të duhur, përveç asgjësimit me djegie, për të parandaluar dëmtimin e mjedisit ose çdo keqardhje tjetër.



Kur frigoriferi gërvishtet, çmontoni dyert dhe hiqni vulën nga dera dhe raftet; vendosni dyert dhe raftet në një vend të përshtatshëm për të parandaluar bllokimin e çdo fëmije.



Hedhja e duhur e këtij produkti:

Kjo shenjë tregon se ky produkt nuk duhet të hidhet me mbeturina të tjera shtëpiake në të gjithë BE-në. Për të parandaluar dëmtimin e mundshëm të mjedisit ose shëndetit të njeriut nga asgjësimi i pakontrolluar i mbetjeve, ricikloni me përgjegjësi për të promovuar ripërdorimin e qëndrueshëm të burimeve materiale. Për të kthyer një pajisje të përdorur, përdorni sistemin e kthimit dhe faturimit ose kontakttoni shitësin ku është blerë produkti. Ata mund ta marrin këtë produkt për riciklim të sigurt për mjedisin.



# PËRDORIMI I DREJTË I FRIGORIFERËVE

## Konfigurimi

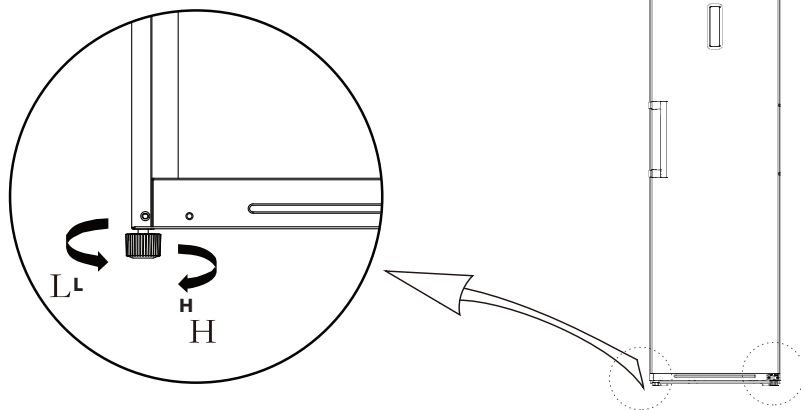
- Para përdorimit, hiqni të gjitha materialet e paketimit, duke përfshirë jastëkët e poshtëm, jastëkët me shkumë dhe shiritat brenda frigoriferit; grisi filmin mbrojtës në dyert dhe trupin e frigoriferit.
- Mbajeni larg nxehtësisë dhe shmangni rrezet e diellit direkte. Mos e vendosni ngrirësin në vende të lagështa ose me ujë për të parandaluar ndryshkun ose reduktimin e efektit të izolimit.
- Mos spërkatni ose lani frigoriferin; mos e vendosni frigoriferin në vende të lagështa që mund të spërkatën lehtësisht me ujë, në mënyrë që të mos ndikojë në vetitë e izolimit elektrik të frigoriferit.
- Frigoriferi vendoset në një vend të brendshëm të ajrosur mirë; toka duhet të jetë e niveluar dhe e fortë (rrotulloni majtas ose djathtas për të rregulluar rrotën e nivelimit nëse është e paqëndrueshme).
- Hapësira e sipërme e frigoriferit duhet të jetë më shumë se 30 cm, dhe frigoriferi duhet të vendoset në mur me një distancë të lirë prej më shumë se 10 cm për të lehtësuar shpërndarjen e nxehtësisë.

## Me bateri nivelimi

### 1. Masat paraprake para operacionit:

Përpara përdorimit të aksesorëve, duhet të siguroheni që frigoriferi të jetë shkëputur nga furnizimi me energji elektrike. Përpara rregullimit të këmbëve të nivelimit, duhet të merren masa paraprake për të parandaluar ndonjë dëmtim personal.

### 3. Diagrami skematik i këmbëve të nivelimit



Fotografia e mësipërme është vetëm për referencë. Konfigurimi aktual do të varet nga produkti fizik ose deklarata e shpërndarësit.

### 3. Procedurat e rregullimit:

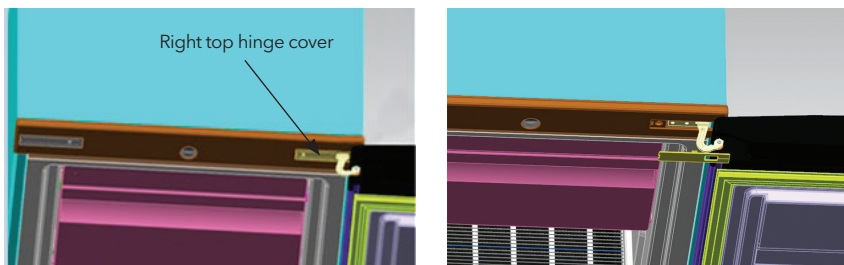
- Ktheni këmbët në drejtim të akrepave të orës për të ngritur frigoriferin;
- Ktheni këmbët në drejtim të kundërt të akrepave të orës për të ulur frigoriferin;
- Rregulloni këmbën e djathtë dhe të majtë bazuar në procedurat e mësipërme në nivelin horizontal.

# INSTALIMI

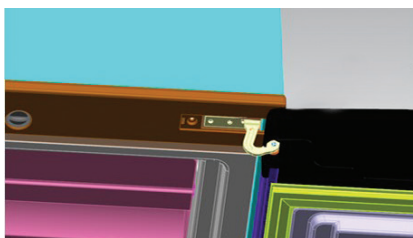
## Kthimi i lëkundjes së derës

Mjetet e nevojshme: Kaçavidë e stilit Phillips / Kaçavidë me teh të sheshtë / Çelës Hex / Pikëllim me fole heks

1. Hiqni kapakun e menteshës së sipërme të djathtë.

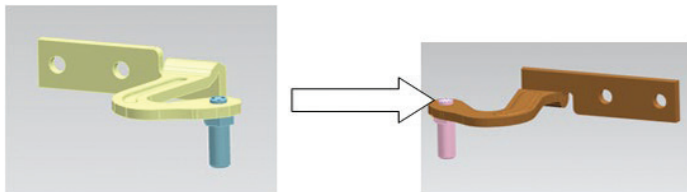


2. Hiqni vidhat që sigurojnë menteshën e sipërme me një kaçavidë me kokë tërthore.

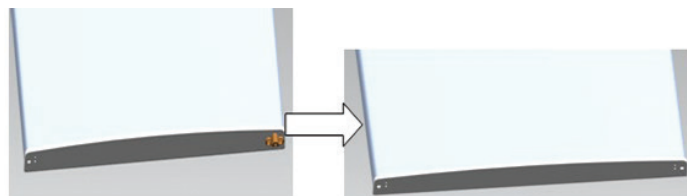


3. Zëvendësoni menteshën e sipërme dhe bllokun e kufirit në derën e sipërme dhe mbështjellësin e kushinetave të derës në anën tjetër.

A. Hiqni arrën e mëngës. Hiqni fshirësin, më pas hiqni boshtet në anën tjetër dhe rregulloni ato.



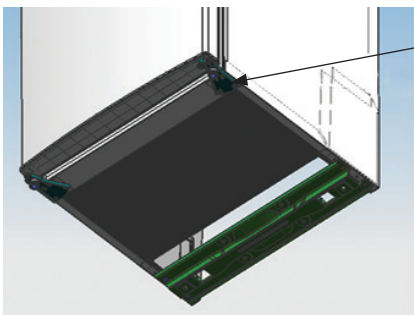
B. Hiqni bllokun kufitar të derës



C. Ju lutemi hiqni një bllok tjetër kufizues të derës, me vidë për montimin e derës



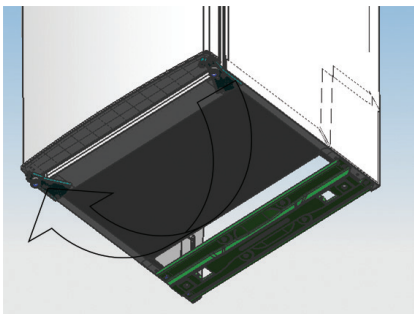
4. Lironi vidhat që fiksijnë menteshën e poshtme me një çelës me fole gjashtëkëndore.



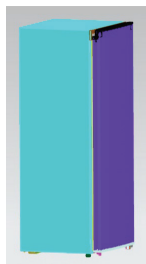
Vidhat janë gjithashtu të fiksuara në menteshën e poshtme

Shënim:  
këndi i pjerrët i frigorifer-frigoriferit është më i vogël se 45°

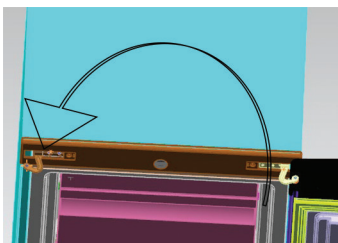
5. Kthejeni menteshën e poshtme në anën tjetër, më pas rregulloni me vida .



6. Vendoseni derën në pozicionin e duhur, rregulloni menteshën e mesme



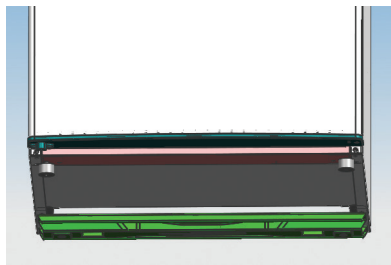
7. Zëvendësoni menteshën e sipërme.



8. Vendoseni derën e sipërme në pozicionin e duhur, rregulloni menteshën e sipërme dhe kapakun .



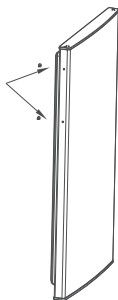
9. Kthejeni niveluesin në anën tjetër dhe rregullojeni për t'u siguruar që dollapi të jetë në nivel .



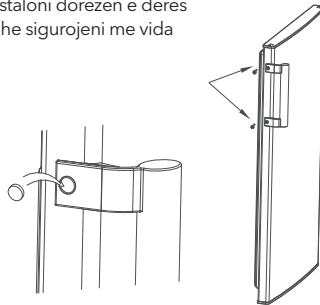
## Ndriçimi i montimit të dorezës së derës (opsionale)

Shënim: Shifrat në manualin e përdorimit janë vetëm për referencë. Produkti aktual mund të ndryshojë pak. Frigoriferi duhet të shkëputet nga burimi i energjisë përpara se të përpiqeni të instaloni pajisjen shtesë.

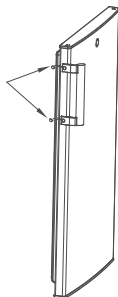
Hapi 1: Hiqni dy kunjat e prizës nga dera (ana e hapur e derës)



Hapi 2: Instaloni dorezën e derës në derë dhe sigurojeni me vida

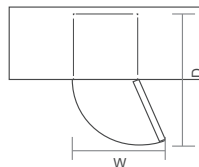


Hapi 3: Mbuloni kapakët e vidhave të dorezës në vrimat e vidhave



## Kërkesat për hapësirën e dyerve

Dera e njësisë duhet të jetë në gjendje të hapet plotësisht siç tregohet.  $W \times D \geq 902 \times 1052$  mm

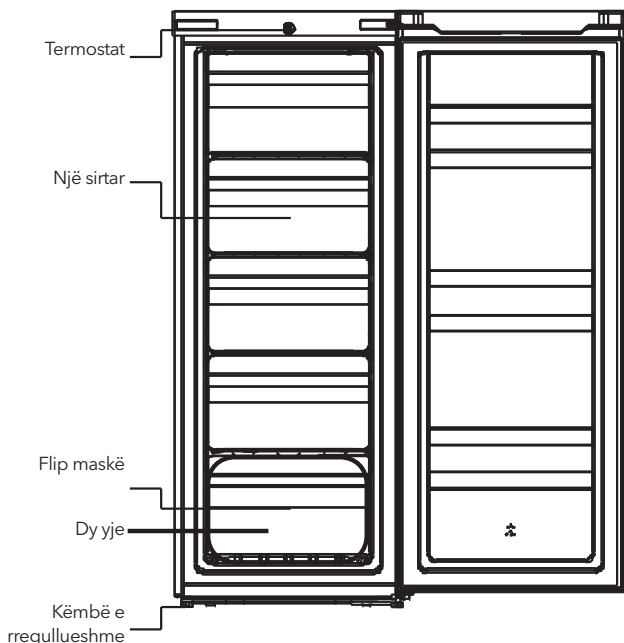


## Këshilla për kursimin e energjisë

- Pajisja duhet të vendoset në pjesën më të freskët të dhomës, larg pajisjeve që prodhojnë nxehtësi ose kanaleve të ngrohjes dhe larg rrezeve të diellit direkte.
- Lëreni ushqimin e nxehtë të ftohet në temperaturën e dhomës përpara se ta vendosni në pajisje. Mbingarkimi i pajisjes e detyron kompresorin të punojë më gjatë. Ushqimi që ngrin shumë ngadalë mund të humbasë cilësinë ose të prishet.
- Sigurohuni që të mbështillni ushqimin siç duhet dhe t'i fshini kontejnerët të thatë përpara se t'i vendosni në pajisje. Kjo redukton grumbullimin e akullit brenda pajisjes.
- Shporta e magazinimit të pajisjes nuk duhet të jetë e veshur me letër alumini, letër dylli ose peshqir letre. Mbulesat pengojnë çarkullimin e ajrit të ftohtë, duke e bërë pajisjen më pak efektive.
- Organizoni dhe etiketoni ushqimin për të zvogëluar hapjet e dymëve dhe kërkimin e zgjatur. Hiqni sa më shumë sende të nevojshme në të njëjtën kohë dhe mbyllni derën sa më shpejt të jetë e mundur.

## STRUKTURA DHE FUNKSIONET

### Komponentët kryesorë



Të gjitha imazhet në këtë udhëzues janë vetëm për referencë; ju lutemi shikoni njësinë tuaj individuale për detaje.

Ndarjet e ushqimeve të ngrira me dy yje (☒ ☒) janë të përshtatshme për ruajtjen e ushqimeve të ngrira paraprakisht, ruajtjen ose përgatitjen e akullores dhe prodhimin e kubeve të akullit, të cilat nuk janë të përshtatshme për ngrirjen e ushqimeve të freskëta.

### Frigorifer

- Dhoma e ftohjes është e përshtatshme për ruajtjen e frutave, perimeve, pijeve dhe ushqimeve të tjera të ndryshme që konsumohen në afat të shkurtër.
- Ushqimi që do të gatuhet nuk duhet të vendoset në dhomën e ftohjes derisa të jetë ftohur në temperaturën e dhomës.
- Rekomandohet mbyllja e ushqimit përpara se ta vendosni në frigorifer.
- Rafet e xhamit mund të rregullohen lart ose poshtë për hapësirë të përshtatshme magazinimi dhe lehtësi në përdorim.

### Ngrirës

- Ngrirësi me temperaturë të ulët mund ta mbajë ushqimin të freskët për një kohë të gjatë dhe përdoret kryesisht për ruajtjen e ushqimeve të ngrira dhe për të bërë akull.
- Ndarja e ngrirësit është e përshtatshme për ruajtjen e mishit, peshkut, topthave të orizit dhe ushqimeve të tjera që nuk duhen konsumuar për një kohë të shkurtër.
- Preferohet që copat e mishit të ndahen në copa të vogla për qasje të lehtë. Ju lutemi vini re se ushqimi duhet të konsumohet brenda datës së skadencës

Shënim: Ruajtja e tepërt e ushqimit gjatë përdorimit pas ndezjes fillestare mund të ndikojë negativisht në efektin e ngrirjes së frigoriferit. Ushqimi i ruajtur nuk duhet të bllokohet daljen e ajrit; ose përndryshe efekti i ngrirjes do të ketë gjithashtu një ndikim negativ

## OPERACIONI

### Duke ndezur njësinë tuaj

- Butoni i zgjedhjes së temperaturës ndodhet në mes të dritës së sipërme . Cilësimi "Min": temperaturë më pak e ftohtë  
Cilësimi "Medium": Funkionim normal (i përshtatshëm për shumicën e situatave)  
Cilësimi "Max": Temperatura më e ftohtë
- Në temperatura të larta të ambientit p.sh. në ditët e nxehta të verës. Mund t'ju duhet të vendosni termostatit në cilësimin më të ftohtë (pozicioni "Max"). Kjo mund të bëjë që kompresori të funksionojë vazhdimisht për të mbajtur një temperaturë të ulët në kabinet .
- Herën e parë që instaloni frigoriferin, vendosni çelësin e termostatit në Mid.

Lëreni kohë që frigoriferi juaj të ftohet plotësisht përpara se të shtoni ushqim. Është mirë të prisni 24 orë para se të shtoni ushqim. Doreza e termostatit kontrollon temperaturën.

### Zhurma brenda njësisë!

Mund të vëreni se njësia juaj po bën zhurma të pazakonta. Shumica prej tyre janë krejtësisht normale, por duhet të jeni të vetëdijshëm për to!

Këto tinguj shkaktohen nga qarkullimi i ftohësit në sistemin e ftohjes. Ajo u bë më e theksuar pas futjes së gazrave pa CFC. Ky nuk është një gabim dhe nuk do të ndikojë në performancën e pajisjes tuaj. Ky është motori i kompresorit që funksionon ndërsa pompon ftohësin rreth sistemit.

### Këshilla për ruajtjen e ushqimit në njësi

- Ruani mishin/peshkun e papërpunuar në një enë mjaft të madhe për të mbledhur lëngje dhe për ta mbuluar siç duhet. Vendoseni tasin në sirtarin më të ulët.
- Lini hapësirë rreth ushqimit tuaj për të lejuar që ajri të qarkullojë brenda njësisë. Sigurohuni që të gjitha pjesët e pajisjes të mbahen të ftohta.
- Për të parandaluar transferimin dhe tharjen e ushqimit, mbështillni ose mbulojeni ushqimin veç e veç.
- Gjithmonë lëreni ushqimin e gatuar më parë të ftohet përpara se ta vendosni në pajisje. Kjo do të ndihmojë në ruajtjen e temperaturës së brendshme të pajisjes.
- Për të parandaluar që ajri i ftohtë të dalë nga pajisja, përpiquni të kufizoni numrin e herëve që hapni derën. Ne ju rekomandojmë që të hapni derën vetëm kur duhet të vendosni ose të hiqni ushqimin.

# MIRËMBAJTJA DHE KUJDESI I FRIGORIFERIT

## Pastrimi i përgjithshëm

- Pluhuri pas frigoriferit dhe në tokë duhet të pastrohet në kohë për të përmirësuar efektin ftohës dhe për të kursyer energji.
- Kontrolloni rregullisht vulën e derës për t'u siguruar që nuk ka mbeturina. Pastroni guarnicionin e derës me një leckë të butë të lagur me ujë me sapun ose detergjent të holluar.
- Brendësia e frigoriferit duhet të pastrohet rregullisht për të shmangur erën.
- Ju lutemi fikeni energjinë përpara se të pastroni pjesën e brendshme, hiqni të gjitha ushqimet, pijet, raftet, sirtarët, etj.
- Përdorni një leckë të butë ose sfungjer për të pastruar pjesën e brendshme të frigoriferit, me dy lugë sodë buke dhe 1 litër ujë të ngrohtë. Më pas shpëlajeni me ujë dhe fshijeni. Pas pastrimit, hapeni derën dhe lëreni të thatet natyrshëm përpara se të ndizni energjinë elektrike.
- Për vendet që janë të vështira për t'u pastruar në frigorifer (si sandiucë të ngushta, boshllëqe ose qoshe), rekomandohet që të fshihen rregullisht me një leckë të butë, furçë të butë, etj. dhe kur është e nevojshme, në kombinim me disa mjete ndihmëse (si p.sh. shkopiinj të hollë) për të siguruar që nuk ka akumulim të ndotësve ose baktereve në këto zona.
- Mos përdorni sapun, detergjent, pluhur pastrimi, pastrues me spërkatje, etj., pasi ato mund të shkaktojnë erëra brenda frigoriferit ose ushqime të kontaminuara.
- Pastroni kornizën e shisheve, raftet dhe sirtarët me një leckë të butë të lagur me ujë me sapun ose detergjent të holluar. Thajeni me një leckë të butë ose thajeni natyrshëm.
- Fshijeni sipërfaqen e jashtëme të frigoriferit me një leckë të butë të njomur në ujë me sapun, detergjent etj., dhe më pas fshijeni të thatet.
- Mos përdorni furça të forta, topa çeliku të pastër, furça teli, gërryes (si pasta e dhëmbëve), tretës organikë (si alkool, aceton, vaj banane, etj.), ujë të nxehtë, objekte acidike ose alkaline, të cilat mund të dëmtojnë sipërfaqen e frigoriferit dhe të brendshme. Uji i vluar dhe tretësit organikë si benzeni mund të deformojnë ose dëmtojnë pjesët plastike.
- Mos e shpëlani direkt me ujë ose lëngje të tjera gjatë pastrimit për të shmangur qarqet e shkurtra ose për të ndikuar në izolimin elektrik pas zhytjes.



Ju lutemi fikeni frigoriferin për shkrirje dhe pastrim.

## Shkrirja

1. Fikni ngrirësin.
2. Hiqeni ushqimin nga ngrirja dhe ruajeni siç duhet për të parandaluar shkrirjen e ushqimit.
3. Pastroni tubin e kullimit (përdorni materiale të buta për të parandaluar dëmtimin e veshjes), Përgatitni enët e ujit për shkrirje. (i kushtoni vëmendje pastrimit të tabakasë së shkarkimit të ujit në ndarjen e kompresorit, duke shmangur tejmbushjen në tokë).
4. Ju mund të përdorni temperaturën natyrale për shkrirje natyrale, mund të përdorni gjithashtu lopatën e akullit për të eliminuar akullin (përdorni një lopatë plastike ose druri për të shmangur dëmtimin e astarit ose tubit)
5. Ju gjithashtu mund të përdorni një sasi të mjaftueshme uji të nxehtë për të shpejtuar shkrirjen, me një peshqir të thatë për të tharë ujin pas shkrirjes.
6. Pas shkrirjes, kthejeni ushqimin në dollap dhe ndizni frigoriferin.

## Ndërprerja e punës

- Dështimi i energjisë: Në rast të ndërprerjes së energjisë, edhe nëse është në verë, ushqimi mund të ruhet në pajisje për disa orë; gjatë ndërprerjes së energjisë elektrike, koha e hapjes së derës duhet të reduktohet dhe nuk duhet të vendoset më ushqim i freskët në pajisje.
- Mospërdorimi afatgjatë: Pajisja duhet të shkëputet nga furnizimi me energji elektrike dhe më pas të pastrohet; atëherë dyert lihen të hapura për të parandaluar erën.
- Lëvizja: Përpara se të lëvizni frigoriferin, hiqni të gjitha sendet brenda, rregulloni ndarjet e xhamit, mbajtësin e perimeve, sirtarët e ngrirësit etj. me shirit dhe shtrëngoni këmbët e nivelimit; mbyllni dyert dhe rregulloni ato me shirit. Gjatë lëvizjes, pajisja nuk duhet të vendoset me kokë poshtë ose horizontalisht dhe as të vibrohet; pjerrësia gjatë lëvizjes nuk duhet të jetë më e madhe se 45 °.



Pajisja do të funksionojë vazhdimisht pasi të jetë ndezur. Në përgjithësi, funksionimi i aparatit nuk duhet të ndërpritet; përndryshe jeta e punës mund të dëmtohet.

## ZGJIDHJA E PROBLEMEVE

Ju mund të përpiqeni t'i zgjidhni vetë problemet e mëposhtme të thjeshta.

Nëse ato nuk mund të zgjidhen, ju lutemi kontaktoni departamentin e pas shitjes.

|   |   |
|---|---|
| Operacioni i dështuar   | Kontrolloni nëse pajisja është e lidhur me furnizimin me energji elektrike ose nëse spina është futur siç duhet<br>Kontrolloni nëse voltazhi është shumë i ulët<br>Kontrolloni nëse ka një ndërprerje të energjisë ose nëse qarqet e pjesshme janë shkëputur  |
| Erë   | Ushqimi me erë të fortë duhet të mbështillet fort<br>Kontrolloni për ushqim të prishur<br>Pastroni pjesën e brendshme të frigoriferit   |
| Funksionimi afatgjatë i kompresorit                           | Funksionimi i gjatë i frigoriferit është normal në verë kur temperatura e ambientit është e lartë<br>Nuk rekomandohet të keni shumë ushqim në pajisje në të njëjtën kohë<br>Ushqimi duhet të ftohet përpara se ta vendosni në pajisje<br>Dyert hapen shumë shpesh                                     |
| Dritat nuk ndizen   | Kontrolloni nëse frigoriferi është i lidhur me furnizimin me energji elektrike dhe nëse llamba është e dëmtuar  |
| Dyert nuk mund të mbyllën siç duhet                           | Dera është e bllokuar me pako ushqimore<br>Frigoriferi është i anuar  |
| Një zhurmë e madhe  | Kontrolloni që dyshemeja të jetë e niveluar dhe që frigoriferi të jetë i qëndrueshëm<br>Sigurohuni që shtojcat të jenë vendosur në vendet e duhura  |
| Grumbullimi i derës nuk është i ngushtë                       | Hiqni çdo lëndë të huaj në vulën e derës<br>Ngrohni vulën e derës dhe më pas ftohni për restaurim (ose fryeni me tharëse flokësh elektrike ose përdorni një peshqir të ngrohtë për ta ngrohur)  |
| Ena e ruajtjes së kondensimit dhe shkrires është e tejmbushur | Ka shumë ushqim në dhomë ose ushqimi i ruajtur përmban shumë ujë, duke rezultuar në shkrije të vështirë<br>Dyert nuk mbyllën siç duhet, duke rezultuar në ngrirje për shkak të hyrjes së ajrit dhe rritje të ujit për shkak të shkrires   |
| Strehim i ngrohtë   | Shpërndarja e nxehtësisë së kondensatorit të integruar përmes kasës, gjë që është normale. Kur mbyllja bëhet e nxehtë për shkak të temperaturës së lartë të ambientit dhe ruajtjes së tepërt të ushqimit, rekomandohet të sigurohet ventilimi i shëndoshë për të lehtësuar shpërndarjen e nxehtësisë. |
| Kondensimi sipërfaqësor                                       | Kondensimi në sipërfaqen e jashtme dhe vulat e dyerve të frigoriferit është normale kur lagështia e ambientit është shumë e lartë. Thjesht fshijeni kondensatin me një leckë të pastër.   |
| Zhurmë jonormale  | Tingulli: Kompresori mund të prodhojë gumëzhitje gjatë funksionimit dhe zhurmat: janë veçanërisht të forta kur niset ose ndalet. Kjo është normale. Kërcitje: Ftohësi që rrjedh brenda pajisjes mund të shkaktojë kërcitje, gjë që është normale.   |



# BIZTONSÁGI FIGYELMEZTETÉSEK

## FIGYELMEZTETÉS:



**FIGYELEM:** Tűzveszély / gyúlékony anyagok

## AJÁNLÁSOK:

- Ezt a készüléket háztartási célokra tervezték. Irodák és egyéb munkahelyek személyzeti konyháiban, családi házakban, szállodákban és motelekben, egyéb lakóhely jellegű környezetekben, panziókban, vendéglátóhelyeken és hasonló, nem kiskereskedelmi célú helyiségekben.
- Ha a tápkábel megsérül, a további veszélyek elkerülése érdekében azt csak a gyártó, annak kiskereskedelmi célú helyiségekben.
- Ne tároljon robbanásveszélyes anyagokat, például gyúlékony hajtóanyagot tartalmazó aeroszolos dobozokat a készülékben.
- A készüléket karbantartás és tisztítás idejére áramtalanítani kell.
- FIGYELEM:** Tartsa szabadon a szellőzőnyílásokat
- FIGYELEM:** A leolvasztási folyamat felgyorsítására ne használjon a gyártó által nem javasolt mechanikus, vagy más eszközöket
- FIGYELEM:** Ne rongálja meg a hűtőközeg kört.
- FIGYELEM:** Ne használjon elektromos készülékeket a készülék élelmiszer tároló rekeszeiben kivéve, ha azokat a gyártó kifejezetten ajánlja.
- FIGYELEM:** A készüléket a helyi előírásoknak megfelelően ártalmatlanítsa a gyúlékony hűtőközeg miatt.
- FIGYELEM:** A készülék elhelyezésekor ügyeljen arra, hogy a tápkábel ne akadjon be vagy sérüljön meg.
- FIGYELEM:** Ne tároljon hosszabbítót a készülék mögött.
- Ne használjon hosszabbítót vagy földetlen (kétágú) adaptereket.
- VESZÉLY:** Gyermekes csapdába esésének veszélye. Mielőtt kidobja régi hűtőszekrényét vagy fagyasztóját:
  - Vegye le az ajtókat.
  - Hagyja a polcokat a helyükön, hogy a gyerekek ne tudjanak könnyen bemászni a készülékbe.
- Áramtalanítsa a készüléket a tartozékok behelyezésekor.
- A hűtőszekrényhez használt hűtőközeg és a ciklopentán habosító anyag rendkívül gyúlékony. A nem használt hűtőszekrényt mindenféle tűzforrástól távol kell tartani, és a megfelelő képzéssel rendelkező vállalkozásnak kell ártalmatlanítania.
- EN szabványhoz: A készüléket 8 éven aluli gyermekek, valamint fizikai, érzékszervi vagy értelmi képességeikben korlátozott, illetve a készüléket és annak használatát nem ismerő személyek csak olyan felügyelete mellett használhatják, aki a berendezés biztonságos módon történő használatára és az ezzel járó veszélyekre vonatkozó szabályokat megismerte.
- IEC-szabványhoz: A készüléket nem használhatják olyan személyek (beleértve a gyermekeket is), akik csökkent fizikai, érzékszervi vagy szellemi képességekkel rendelkeznek, vagy nem rendelkeznek kellő tapasztalattal és ismeretekkel, kivéve, ha a biztonságukért felelős személy felügyeli vagy oktatja őket a készülék használatára vonatkozóan)
- Ügyeljen rá, hogy gyermekei ne játszanak a készülékkel.
- Az élelmiszerek megromlásának elkerülése érdekében kérjük, tartsa be az alábbi utasításokat
  - Az ajtó hosszú időre történő kinyitása a készülék rekeszeinek hőmérsékletének jelentős emelkedését okozhatja.
  - Rendszeresen tisztítsa meg az élelmiszerekkel érintkező felületeket és a hozzáférhető lefolyórészeket.
  - Tisztítsa meg a víztartályokat, ha 48 órán keresztül nem használták őket; öblítse át a vízhálózatához csatlakoztatott szakaszt, ha 5 napig nem vételezett vizet a rendszerből. (1. megjegyzés)
  - A nyers húst és halat megfelelő tárolóedényekben tárolja a hűtőszekrényben úgy, hogy ne érintkezzen más élelmiszerekkel.
  - A két csillaggal jelölt [X X] fagyasztott-élelmiszer rekesz alkalmas előfagyasztott élelmiszerek tárolására, fagyalt tárolására vagy készítésére, valamint jégkockák készítésére. (2. megjegyzés)
  - Az egy [X] , kettő [X X] és három csillagos [X X X] nem alkalmas friss élelmiszer lefagyasztására. (3. megjegyzés)
  - Ha a készüléket hosszabb ideig nem használja, akkor kapcsolja ki, olvassa le, tisztítsa meg, szárítsa ki, és hagyja nyitva az ajtót, hogy megakadályozza a készülékben a penész kialakulását.

Megjegyzés 1,2,3: Győződjön meg arról, hogy az Ön készüléke alkalmas-e erre.

## A figyelmeztető szimbólumok jelentése



Ez egy tiltó szimbólum. Az ezzel a szimbólummal jelölt utasítások be nem tartása a termék károsodását eredményezheti, vagy veszélyeztetheti a felhasználó épségét.



Ez egy figyelmeztető szimbólum. Az ezzel a szimbólummal jelölt utasításokat szigorúan be kell tartani; ellenkező esetben a termék károsodása vagy személyi sérülés következhet be.



Ez egy figyelmeztető szimbólum. Megfelelő óvintézkedésekre van szükség, különben kisebb vagy közepes mértékű sérülések vagy a termék károsodása következhet be.

This manual contains lots of important safety information which shall be observed by the users.

## Elektromossággal kapcsolatos figyelmeztetések

- Soha ne a tápkábelnél fogva húzza ki a készülék hálózati csatlakozóját. Fogja meg határozottan a villásdugót, és úgy húzza ki azt a konnektorból.
- A biztonságos használat érdekében semmilyen körülmények között ne rongálja meg a tápkábelt, ne használja, ha az megsérült.
- Ha a tápkábel megsérül, a további veszélyek elkerülése érdekében azt csak a gyártó, annak szakszerveze, vagy egy megfelelő végzettséggel rendelkező szakember cserélheti ki.
- A hálózati csatlakozónak stabilan kell érintkeznie a konnektorral, különben tüzet okozhat. Ügyeljen arra, hogy a hálózati aljzat földelő elektródája megbízható földelő vezetékkel legyen ellátva.
- Zárja el a biztonsági szelepet, majd nyissa ki az ajtókat és ablakokat, ha gáz és más gyúlékony gázok szivárgását észleli. Ne húzza ki a eszközt és más elektromos készülékeket a konnektorból, tekintettel arra, hogy az esetlegesen keletkező szikra tüzet okozhat.
- A biztonság érdekében nem ajánlott a fagyasztó tetejére rizsfőzőket, mikrohullámú sütőket és egyéb, a gyártó által nem ajánlott készülékeket elhelyezni. Ne használjon elektromos készülékeket az ételtartó edényben.

## Figyelmeztetések a használatra vonatkozóan

- Ne szerelje szét vagy építse át a hűtőszekrényt, és ne rongálja meg a hűtőkört; a készülék karbantartását minden esetben szakembernek kell elvégeznie.
- Ha a tápkábel megsérül, a további veszélyek elkerülése érdekében azt csak a gyártó, annak szakszerveze, vagy egy megfelelő végzettséggel rendelkező szakember cserélheti ki.
- A hűtőszekrény ajtajai között, valamint az ajtók és a hűtőszekrénytest között a rések kicsik, ügyeljen arra, hogy ne tegye a kezét ezekre a területekre. Kérjük, legyen óvatos, amikor becsukja a hűtőszekrény ajtaját.
- Ne érjen a fagyasztórekeszben lévő élelmiszerekhez nedves, vizes kézzel, mert fagyási sérüléseket szenvedhet.
- Ne engedje, hogy gyermeke a hűtőszekrénybe másszon vagy felmásson rá, mert súlyos sérüléseket szenvedhet.
- Ne helyezzen nehéz tárgyakat a hűtőszekrény tetejére, mert az ajtó becsukásakor vagy kinyitásakor azok leeshetnek, és balesetet okozhatnak.
- Áramszünet vagy tisztítás esetén húzza ki a villásdugót. Öt percen belül ne csatlakoztassa újra a hűtőszekrényt az áramforráshoz, hogy elkerülje a kompresszor károsodását.

## Figyelmeztetések az elhelyezéshez

- Ne tegyen gyúlékony, robbanásveszélyes, illékony, vagy erősen maró dolgokat a hűtőszekrénybe.
- A tüzesetek elkerülése érdekében ne helyezzen gyúlékony tárgyakat a hűtőszekrény közelébe.
- A hűtőszekrény háztartási használatra, például élelmiszerek tárolására szolgál; nem használható más célra, például vér, gyógyszerek vagy biológiai termékek stb. tárolására.
- Ne tároljon söröt, italt vagy más, palackokban vagy zárt tartályokban lévő folyadékot a hűtőszekrény fagyasztórekeszében, ellenkező esetben a palackok a fagyás következtében megrepedhetnek és kárt okozhatnak.

## Figyelmeztetések

1. Előfordulhat, hogy a hűtőkészülék nem hűt egyenletesen a fagyasztóba helyezett, még meleg élelmiszerek miatt, vagy ha hosszabb időn keresztül, magasabb hőmérsékleti viszonyok között üzemelteti a készüléket.
2. A pezsgőitalokat nem szabad a fagyasztó rekeszekben, illetve alacsony hőmérsékletű rekeszekben tárolni. Ügyeljen rá, hogy egyes italokat, például a jeges vizet nem szabad túl hidegen fagyasztani.
3. Javasoljuk, hogy az élelmiszer-gyártók által ajánlott tárolási idő(ke)t semmilyen élelmiszer esetében, különösen a kereskedelmi forgalomban kapható gyorsfagyasztott élelmiszerek esetében ne lépje túl. Rendszeresen ellenőrizze az ételek lejáratí dátumát.
4. Leolvasztás idejére a fagyasztóban tárolt élelmiszereket érdemes több rétegnyi újságpapírba tekerni, hogy lelassítsa azok felolvadását.
5. A fagyasztott élelmiszerek tárolhatósági ideje a leolvasztási folyamat közben csökken.
6. Mindig gondosan zárja be készülék ajtajait, nehogy egy gyermek bemászhasson a készülékbe.

## Figyelmeztetések az ártalmatlanításra vonatkozóan



A hűtőszekrényhez használt hűtőközeg és a ciklopentán habosító anyag rendkívül gyúlékony. A nem használt hűtőszekrényt mindenféle tűzforrástól távol kell tartani, és a megfelelő képzéssel rendelkező vállalkozásnak kell ártalmatlanítania.



Mielőtt kidobja régi hűtőszekrényét vagy fagyasztóját vegye le az ajtókat és hagyja a polcokat a helyükön, hogy a gyerekek ne tudjanak könnyen bemászni a készülékbe



A szimbólum azt jelzi, hogy a helyi törvényeknek és előírásoknak megfelelően a készüléket a háztartási hulladéktól elkülönítve kell a hulladékba helyezni. Ha a termék eléri élettartama végét, vigye a helyi hatóságok által kijelölt gyűjtőpontra. A készülék elkülönített módon történő gyűjtése és újrahasznosítása segít megóvni a természeti erőforrásokat, és biztosítja, hogy az újrahasznosítás az emberi egészség és a környezet védelmével összhangban történjen. A termék újrahasznosítása érdekében további információért forduljon az illetékesekhez, a helyi hulladékgyűjtő szolgáltatóhoz vagy ahhoz az üzlethez, ahol a terméket megvásárolta.

# A KÉSZÜLÉK HELYES HASZNÁLATA

## Elhelyezés

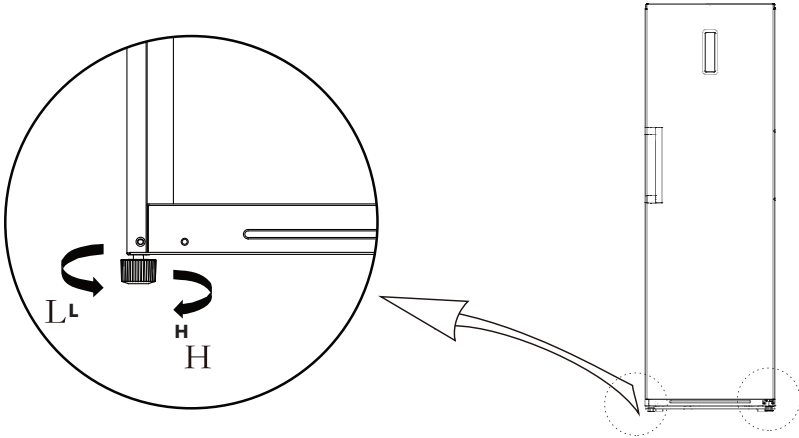
- A fagyasztó használata előtt távolítsa el az összes csomagolóanyagot, beleértve az alsó habszivacs párnákat, valamint a fagyasztó belsejében lévő szalagokat is, tépje le az ajtón és a fagyasztó testén lévő védőfóliát.
- Tartsa távol hőforrásoktól és a közvetlen napfénytől. Ne tegye a fagyasztót nedves vagy vizes helyre, hogy elkerülje a rozsdásodást vagy a szigetelőhatás csökkenését.
- Ne mossa le a készüléket vízzel, mert zárlatot okozhat, ami rendkívül tűz- és balesetveszélyes.
- A fagyasztót jól szellőző, zárt helyen kell elhelyezni; a talajnak vízszintesnek és szilárdnak kell lennie.
- A fagyasztó tetejétől legalább 30 cm, és a hőelvezetés megkönnyítése érdekében a két oldaltól és a hátsó oldaltól való távolságnak legalább 10 cm-nek kell lennie.

## Szintezés

### 1. Óvintézkedések a művelet előtt:

A tartozékok beszerelése előtt meg kell győződni arról, hogy a hűtőszekrényt áramtalanította. A szintezőlábak beállítása előtt óvintézkedéseket kell tenni a személyi sérülések elkerülése érdekében.

### 2. Schematic diagram of the leveling feet



(A fenti kép csak tájékoztató jellegű. A tényleges konfiguráció ettől eltérő lehet.)

### 3. Beállítás:

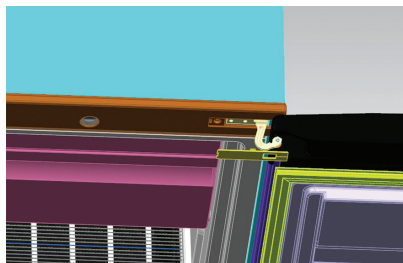
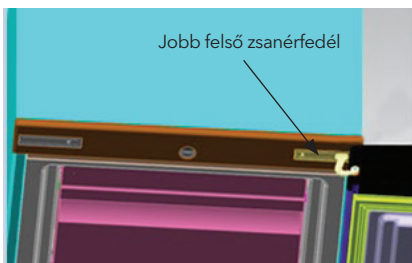
- A hűtőszekrény megemeléséhez forgassa el a lábakat az óramutató járásával megegyező irányba;
- A hűtőszekrény leengedéséhez forgassa a lábakat az óramutató járásával ellentétes irányba;
- Állítsa a jobb és bal lábak segítségével a készüléket vízszintbe.

# TELEPÍTÉS

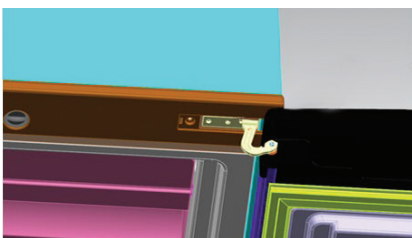
## Ajtónyitás irányának megváltoztatása

Szükséges eszközök: csillagfejű csavarhúzó / laposfejű csavarhúzó / hatszögletű csavarkulcs / hatszögletű dugókulcs

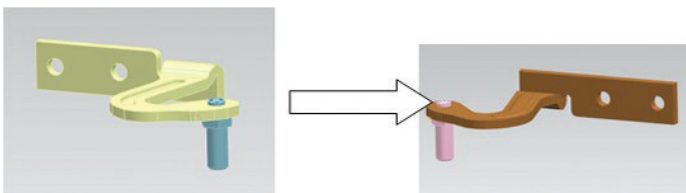
1. Távolítsa el a jobb felső zsanérfedelelet.



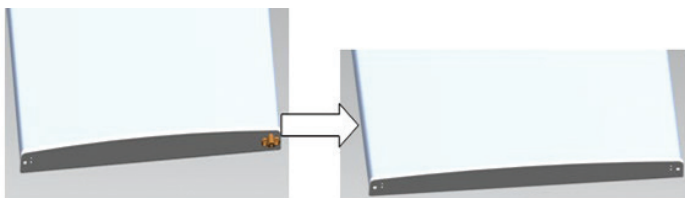
2. Távolítsa el a felső zsanérhoz rögzített csavarokat a csillagfejű csavarhúzóval.



3. Cserélje át a felső csuklópántot és a felső ajtó korlátozóblokkot, valamint az ajtócsapágó perselyét a másik oldalra. A. Távolítsa el az anyacsavart. Vegye le az alátétet, majd tegye át a tengelyeket a másik oldalra és rögzítse.



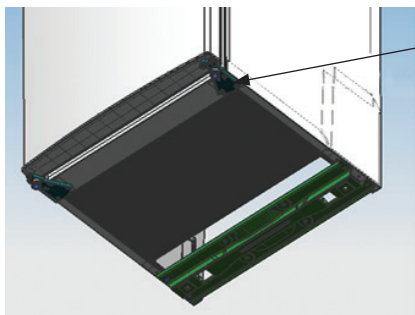
B. Távolítsa el az ajtóhatárolót.



C. Vegyen ki egy másik ajtóhatárolót, rögzítse az ajtóhoz csavarral.



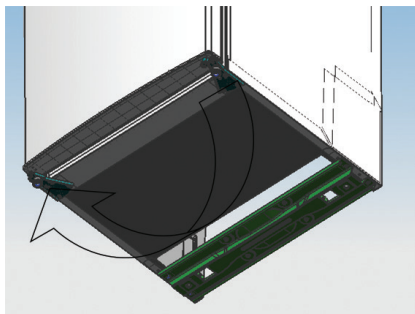
4. Szerelje le az alsó zsanérhoz rögzített csavarokat hatlapos dugókulccsal.



Az alsó csuklót  
rögzítő csavarok.

Megjegyzés:  
Ne döntse meg a készüléket 45°-nál nagyobb  
szögben.

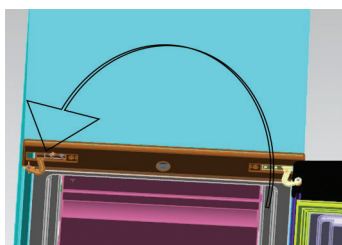
5. Helyezze vissza az alsó zsanért a másik oldalra,  
majd rögzítse csavarokkal.



6. Állítsa be az ajtót a megfelelő pozícióba, rögzítse  
a középső zsanért.



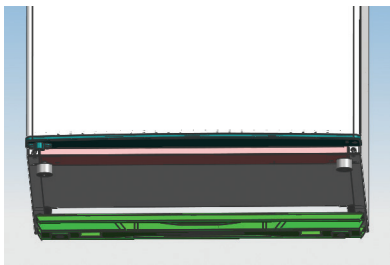
7. Helyezze vissza a felső zsanért.



8. Állítsa a felső ajtót a megfelelő pozícióba,  
rögzítse a felső zsanért és a fedelet.



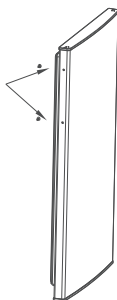
9. Helyezze át a lábat a másik oldalra, és állítsa be, hogy a készülék vízszintesen álljon.



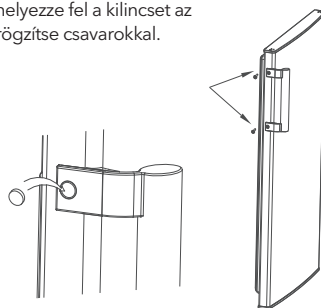
## Ajtókilincs beszerelése (opcionális)

Megjegyzés: A képek csak illusztrációk, a készülék ettől eltérő lehet. A tartozék beszerelése előtt áramtalanítsa a készüléket.

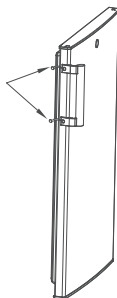
1. lépés: vegye ki a két csavartakaró fedelet az ajtóból (az ajtó oldala nyitva)



2. lépés: helyezze fel a kilincset az ajtóra és rögzítse csavarokkal.

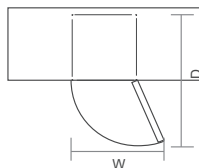


3. lépés: fedje le a fogantyú csavar fedőkupakjait.



## Helyigény

A készülék ajtajának a képen látható módon teljesen ki kell tudnia nyílni. SZ×M≥902×1052mm

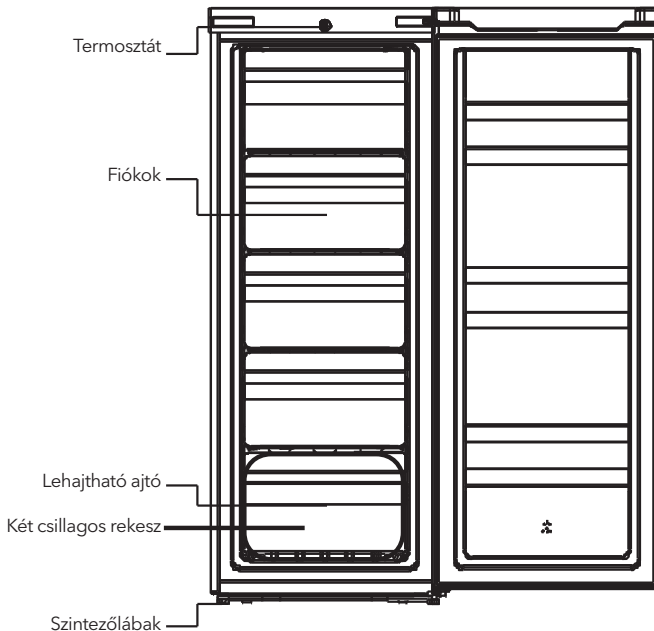


## Energiatakarékossági tippek


- A készüléket a helyiség leghűvösebb részén kell elhelyezni, távol a hőleadó készülékektől, fűtőcsövektől és a közvetlen napfénytől.
- A forró ételeket előbb hűtse szobahőmérsékletűre, mielőtt hűtőbe teszi. A készülék túlterhelése miatt a kompresszor hosszabb ideig működik és több energiát fogyaszt.
- Ügyeljen arra, hogy az élelmiszerek megfelelően be legyenek csomagolva, törölje szárazra a tárolóedényeket, mielőtt a készülékbe helyezi azokat. Ez csökkenti a jégkőképződést a készülék belsejében.
- A készülék rekeszeit nem szabad alumíniumfóliával, viaszpapírral vagy papírtörlővel kibélelni. A különböző bélések akadályozzák a hideg levegő megfelelő áramlását és így a készülék kevésbé lesz hatékony.
- Rendszerezze és címkézze fel az élelmiszereket, hogy csökkentse az ajtónyitások és a hosszú keresgélések számát. Egyszerre csak annyi terméket vegyen ki, amennyire szükség van, és a lehető leghamarabb zárja be az ajtót.

## A KÉSZÜLÉK HELYES HASZNÁLATA

### A hűtő részei



(A fenti kép csak tájékoztató jellegű. A tényleges konfiguráció ettől eltérő lehet.)

A két csillaggal jelölt  fagyasztott-élelmiszer rekesz alkalmas előfagyasztott élelmiszerek tárolására, fagyalt tárolására vagy készítésére, valamint jégkockák készítésére, de nem alkalmas friss élelmiszerek fagyasztására.



### Hűtőrekesz

- A hűtőrekesz különféle gyümölcsök, zöldségek, italok és egyéb, rövid távon fogyasztandó élelmiszerek tárolására alkalmas.
- A főtt ételeket nem szabad a hűtőbe helyezni, amíg azok szobahőmérsékletűre le nem hűlnek.
- Az ételeket a hűtőbe helyezés előtt ajánlott dobozokban lezárni.
- A polcok szabadon variálhatóak, hogy mindig megfelelő legyen a helyelosztás.

### Fagyasztórekesz

- Az alacsony hőmérsékletű fagyasztókamra hosszú ideig frissen tarthatja az élelmiszereket, és elsősorban fagyasztott élelmiszerek tárolására és jég készítésére használják.
- A fagyasztókamra alkalmas húsok, halak, rizsgolyók és más, rövid távon nem fogyasztható élelmiszerek tárolására.
- A húsokat lehetőleg apró adagokra kell osztani, hogy könnyen feldolgozhatóak legyenek. Kérjük, vegye figyelembe, hogy az élelmiszereket a tárolási időn belül el kell fagyasztani.

Megjegyzés: túl sok élelmiszer egyidejű letárolása kedvezőtlenül befolyásolhatja a hűtőszekrény fagyasztási hatását.

## MŰKÖDÉS

### A készülék bekapcsolása

- A hőmérséklet-választó gomb a felső rész közepén található.  
 "Min": a legkevésbé hideg beállítás  
 "Mid": normál beállítás  
 "Max": a leghidegebb beállítás
- Magas környezeti hőmérséklet esetén, pl. meleg nyári napokon szükség lehet arra, hogy a termosztátot a leghidegebb fokozatra állítsa ("Max" állás). Ez azt okozhatja, hogy a kompresszor folyamatosan jár, hogy a készülékben alacsony maradjon a hőmérséklet.
- A hűtőszekrény első üzembe helyezésekor állítsa a termosztát gombját "Mid" állásba.

Az első bekapcsoláskor működtesse 24 órán keresztül, mielőtt az ételeket beletenné.

### Zaj a készülék belsejében!

Bizonyos körülmények között a készülék hangosan működhet.

Ezeket a zajokat a hűtőfolyadék keringése okozza a hűtőrendszerben. A CFC-mentes gázok bevezetése óta ez a hangok egyre erősebbek. Ez nem hiba, és nem befolyásolja a készülék működését.

### Típek az élelmiszer tárolására

- Tartsa a nyers húst/halat olyan edényben, amely elég nagy ahhoz, hogy összegyűjtse a levet, és megfelelően lefedje. Helyezze a tartályt a legalsó fiókra.
- Hagyjon helyet az ételek körül, hogy a levegő keringessen a készülék belsejében.
- Az ételek minőségének megőrzése érdekében csomagolja vagy fedje le az ételt külön-külön.
- Mindig hagyja kihűlni a frissen főzött ételt, mielőtt beteszi a készülékbe. Ez segít fenntartani a készülék belső hőmérsékletét.
- Minél kevesebbszer és minél kevesebb ideig tartsa nyitva a készülék ajtaját.

# A FAGYASZTÓ KARBANTARTÁSA

## Tisztítás

- A fagyasztó mögött és a földön rendszeresen fel kell takarítani a hűtés jó hatásfoka és az energiatakarékosság javítása érdekében.
- Rendszeresen ellenőrizze az ajtó tömítést, hogy ne legyenek rajta törmelékek. Tisztítsa meg az ajtó tömítést szappanos vízzel vagy mosószerrel megnedvesített puha ruhával.
- A fagyasztó belsejét rendszeresen tisztítani kell a szagok kialakulásának elkerülése érdekében.
- Tisztítás előtt áramtalanítsa a készüléket, távolítsa el az összes élelmiszert, kosarat, tárolót stb.
- Puha ruhával vagy szivaccsal, két evőkanál szóda bikarbónával és egy liter meleg víz keverékével tisztítsa meg a fagyasztó belsejét, majd öblítse le tiszta vízzel és törölje tisztára. A tisztítás után nyissa ki az ajtót, és hagyja, hogy magától megszáradjon.
- A fagyasztóban nehezen tisztítható területeket (például rések vagy sarkok) ajánlott rendszeresen áttörölni puha ronggyal, puha kefével stb. és szükség esetén néhány segédeszközzel (például vékony pálcikával), hogy ezeken a területeken ne halmozódjanak fel szennyeződések vagy baktériumok.
- Ne használjon szappant, mosószert, súrolóport, spray tisztítószert, stb., mivel ezek szagokat okozhatnak a fagyasztó belsejében vagy szennyezett élelmiszereket.
- A kosarakat szappanos vízzel vagy hígított mosószerrel nedvesített puha ruhával tisztítsa meg. Szárítsa meg puha ruhával vagy természetes úton.
- Törölje át a fagyasztó külső felületét szappanos vízzel, vagy mosószerrel benedvesített puha ruhával, majd törölje szárazra.
- Ne használjon kemény keféket, drótkeféket, súrolószereket (akár fogkrém is), szerves oldószereket (pl. alkohol, aceton, banánolaj stb.), forró vizet, savas vagy lúgos elemeket, amelyek károsíthatják a fagyasztó felületét és belsejét. A forrásban lévő víz és a szerves oldószerek, mint például a benzol, deformálhatják vagy károsíthatják a műanyag alkatrészeket.
- Ne öblítse le közvetlenül vízzel vagy más folyadékkal a tisztítás során a készüléket, hogy elkerülje a rövidzárlatot.



Leolvasztás és tisztítás idejére áramtalanítsa a készüléket.

## Leolvasztás

1. Kapcsolja ki a fagyasztót.
2. Vegye ki az ételt a fagyasztóból, és helyezze el megfelelően, hogy az ételek ne olvadjanak fel.
3. Tisztítsa meg a lefolyócsövet (puha anyagokat használjon, hogy megakadályozza a belés sérülését). Készítse elő a víztartályokat a leolvasztáshoz. (Ügyeljen a kompresszortér vízleeresztő tálcájának tisztítására, elkerülve a földre történő túlfolyást).
4. Miután a jég természetes úton felolvad, törölje le a vizet száraz, puha ruhával. Amikor a jég egy kicsit felpuhul, egy műanyag jégkaparót lehet használni a jégtelenítési folyamat felgyorsítására.
5. A leolvasztás felgyorsításához kis mennyiségű forró vizet is használhat, a leolvasztás után pedig száraz törölközővel törölje át.
6. A leolvasztás után tegye vissza az élelmiszereket a fagyasztóba, majd kapcsolja be.

## Üzemzavarok

- **Áramkimaradás:** A készülékben lévő ételek több órán át eltarthatók áramszünet esetén, még nyáron is; áramszünet idején csökkentse az ajtónyitások számát és idejét, és ne tegyen be friss élelmiszert.
- Ha hosszabb ideig nem használja: áramtalanítsa a készüléket és hagyja nyitva réznyire az ajtót, hogy biztosítsa a folyamatos szellőzést.
- **Mozgatáskor:** rögzítse megfelelően az összes polcot és rekeszt, tekerje be a lábakat teljesen, majd az ajtókat is rögzítse egy ragasztószalaggal. Mozgatás közben a készüléket nem szabad 45°-nál nagyobb szögben megdőnteni.



Ha a készülék egyszer bekapcsolta, akkor javasolt folyamatosan működtetni. A hűtőszekrény működésének rendszeres megszakítása a készülék élettartamának csökkenésével jár.

# HIBAEELHÁRÍTÁS

A következő egyszerű hibákat megpróbálhatja egyedül megoldani. Ha ezeket nem tudja megoldani, kérjük, forduljon szervizközpontoz.

|  |   |
|--|---|
| A készülék nem működik                 | Ellenőrizze, hogy a készülék csatlakoztatva van-e a hálózathoz, vagy hogy a villásdugó jól érintkezik-e.<br>Ellenőrizze, hogy a feszültség nem túl alacsony.<br>Ellenőrizze, hogy van-e áramkimaradás, vagy leoldott-e a kismegszakító.   |
| Szag                                   | A szagos élelmiszereket szorosan be kell csomagolni.<br>Ellenőrizze, hogy van-e romlott élelmiszer .<br>Tisztítsa meg a hűtőszekrény belsejét.  |
| Hosszú ideig működő kompresszor        | A hűtőszekrény hosszú működése normális nyáron, amikor a környezeti hőmérséklet magas.<br>Nem ajánlatos túl sok élelmiszert egyszerre a készülékben tartani Az frissen főtt ételeknek ki kell hűlniük, mielőtt beteszük őket a készülékbe.<br>Az ajtókat túl gyakran nyitják ki.                            |
| A készülék nem világít                 | Ellenőrizze, hogy a hűtőszekrény csatlakoztatva van-e az áramforráshoz, és hogy az izzó nem sérült-e meg.<br>Cseréltesse ki az izzót szakemberrel.  |
| Az ajtókat nem lehet rendesen becsukni | Az ajtót megakadnak az élelmiszerekben.<br>Túl sok élelmiszer van elhelyezve a polcon.<br>A hűtőszekrény megdőlt.   |
| Hangos zaj                             | Ellenőrizze, hogy a padló vízszintes-e, és hogy a hűtőszekrény stabilan áll-e.<br>Ellenőrizze, hogy a tartozékok a megfelelő helyen vannak-e elhelyezve.  |
| Az ajtótomítás nem tömit               | Távolítsa el az ajtótomításon lévő idegen anyagokat.<br>Melegítse fel az ajtótomítást, majd visszahűtés közben igazítsa a helyére.  |
| A víztartály túlcscordul               | Túl sok élelmiszer van a rekeszekben, vagy a tárolt élelmiszer túl sok vizet tartalmaz, ami erős olvadást eredményez.<br>Az ajtók nincsenek megfelelően zárva, ami miatt a párák levegő a készülékben lehül, majd ajtónyitáskor lecsapódik.   |
| Forró burkolat                         | A beépített kondenzátor hőelvezetése a házon keresztül történik, ami normális jelenség. Ha a készülék háza a magas környezeti hőmérséklet miatt felmelegszik, vagy a túl sok élelmiszer tárolása miatt a kompresszor túlmelegszik, akkor gondoskodjon a szellőzésről a hőelvezetés megkönnyítése érdekében. |
| Felületi páralecsapódás                | A páralecsapódás a hűtőszekrény külső felületén és az ajtótomításeken normális, ha a környezeti páratartalom túl magas. Csak törölje le egy tiszta törölközővel.  |
| Rendellenes zaj                        | Zúgás: A kompresszor működés közben zúgó hangot ad ki, és ez különösen indításkor vagy leállításkor hangos lehet. Ez normális jelenség.<br>Nyikorgás: A készülék belsejében áramló hűtőközeg nyikorgó hangot okozhat, ami normális jelenség.  |

# БЕЗБЕДНОСНИ ПРЕДУПРЕДУВАЊА

## ПРЕДУПРЕДУВАЊЕ:



**Предупредување:** ризик од пожар / запаливи материјали

## ПРЕПОРАКИ:

- Овој уред е наменет да се користи во домаќинството и слични примени како што се кујните за персоналот во продавници, канцеларии и други работни средини; фармски куќи и од клиенти во хотели, мотели и други средини од резиденцијален тип; средини од типот ноќевање и појадок; угостителски и слични непродажни апликации.
  - Ако кабелот за напојување е оштетен, тој мора да биде заменет од производителот, неговиот сервисер или слично квалификувани лица за да се избегне опасност.
  - Не чувајте експлозивни материи како што се конзерви за аеросол со запаливо гориво во овој апарат.
  - Апаратот треба да се исклучи од струја по употреба и пред да се изврши корисничко одржување на апаратот.
  - **ПРЕДУПРЕДУВАЊЕ:** Чувајте ги отворите за вентилација, во куќиштето на апаратот или во вградената структура, без пречки.
  - **ПРЕДУПРЕДУВАЊЕ:** Не користете механички уреди или други средства за да го забрзате одмрзнувањето процес, освен оние препорачани од производителот.
  - **ПРЕДУПРЕДУВАЊЕ:** Не го оштетувајте колото на точноста за ладење.
  - **ПРЕДУПРЕДУВАЊЕ:** Не користете електрични апарати во внатрешноста на преградите за складирање храна на апаратот, освен ако не се од типот препорачан од производителот.
  - **ПРЕДУПРЕДУВАЊЕ:** Ве молиме оставете го апаратот според локалните регулатори бидејќи користи запалив гас што дува и средство за ладење.
  - **ПРЕДУПРЕДУВАЊЕ:** Кога го поставувате апаратот, проверете дали кабелот за напојување не е заглавен или оштетен.
  - **ПРЕДУПРЕДУВАЊЕ:** Не лоцирајте повеќе преносливи приклучоци или преносни напојувања на задниот дел од апаратот.
  - Не користете продолжни кабли или независни адаптери (два крака).
  - **ОПАСНОСТ:** Ризик од заробување на дете. Пред да го фрлите апаратот:
    - Тргнете ги вратите.
    - Оставете ги полиците на место за да не можат децата лесно да се качуваат внатре.
  - Апаратот мора да се исклучи од изворот на електрична енергија пред да се обиде да поставите дополнителна опрема.
  - Ладилното средство и материјалот за пена од циклопентан што се користат за ладилникот се запаливи. Затоа, кога фрижидерот ќе се отфрли, тој треба да се чува подалеку од кој било извор на пожар и да се извлече од специјална компанија за обновување со соодветните квалификации освен да се отстранува со согорување, за да се спречи оштетување на животната средина или каква било друга штета.
  - За EN стандард: Овој апарат може да го користат деца на возраст од 8 години и повеќе и лица со намалени физички сетилни или ментални способности или недостиг на искуство и знаење доколку им е даден надзор или инструкции во врска со користењето на апаратот на безбеден начин и ако ги разберат вклучените опасности. Децата не смеат да си играат со апаратот. Чистењето и одржувањето на корисникот не смеат да го вршат деца без надзор. Деца на возраст од 3 до 8 години години им е дозволено да се вчитуваат и растовараат апарати за ладење.
  - За стандардот IEC: овој апарат не е наменет за употреба од лица (вклучувајќи деца) со намалени физички, сетилни или ментални способности или недостаток на искуство и знаење, освен ако не им се дадени надзор или инструкции во врска со употребата на апаратот од лице одговорно за нивната безбедност.)
  - Децата треба да се надгледуваат за да се осигура дека не си играат со апаратот.
  - Упатствата треба да ја содржат супстанцијата од следново: За да избегнете контаминација на храната, ве молиме почитувајте ги следните упатства:
    - Отворањето на вратата долго време може да предизвика значително зголемување на температурата во преградите на апаратот.
    - Редовно чистете ги површините што можат да дојдат во допир со храна и достапни системи за одводнување.
    - Исчистете ги резервоарите за вода доколку не се користат 48 часа; исплакнете го водоводниот систем приклучен на водовод ако не се влече вода 5 дена. (забелешка 1)
    - Суровото месо и рибата чувајте ги во соодветни контејнери во фрижидер, за да не дојде во допир или да капе на друга храна.
    - Преградите за замрзната храна со две ѕвезди се погодни за складирање на претходно замрзната храна, складирање или правене сладолед и правене коцки мраз. (забелешка 2)
    - Преградите со една две и три ѕвездички не се погодни за замрзнување на свежа храна. (забелешка 3)
    - Ако апаратот за ладење се остава празен долго време, исклучете го, одмрзнете, исчистете го, исушете и оставете ја вратата отворена за да спречите појава на мувла во апаратот.
- Забелешка 1,2,3: Ве молиме потврдете дали е применливо според типот на преградата на вашиот производ.

## Значењето на безбедносните предупредувачки симболи



Ова е симбол за забрана. Секое непочитување на упатствата означени со овој симбол може да резултира со оштетување на производот или да ја загрози личната безбедност на корисникот.



Ова е предупредувачки симбол. Потребно е да се работи со строго почитување на упатствата означени со овој симбол; или на друг начин може да се предизвика оштетување на производот или лична повреда.



Ова е предупредувачки симбол. Упатствата означени со овој симбол бараат посебна претпазливост. Недоволната претпазливост може да доведе до лесна или умерена повреда или оштетување на производот.

Овој прирачник содржи многу важни безбедносни информации што треба да ги почитуваат корисниците.

## Предупредувања поврзани со електрична енергија

- Не влечете го кабелот за напојување кога го влечете приклучокот за напојување на фрижидерот. Ве молиме цврсто фатете го приклучокот и извлечете го директно од штекерот.
- За да се обезбеди безбедно користење, не го оштетувајте кабелот за напојување и не користете го кабелот за напојување кога е оштетен или истрошен.
- Ве молиме користете посебен штекер и штекерот не смее да се дели со други електрични апарати.
- Приклучокот за струја треба да биде цврсто контактиран со штекерот или во спротивно може да се предизвикаат пожари.
- Ве молиме проверете дали електродата за заземјување на штекерот е опремена со сигурна линија за заземјување.
- Ве молиме исклучете го вентилот на гасот што истекува и потоа отворете ги вратите и прозорците во случај на истекување на гас и други запаливи гасови. Не исклучувајте го фрижидерот и другите електрични апарати имајќи предвид дека искра може да предизвика пожар.
- Не користете електрични апарати на горниот дел од апаратот, освен ако не се од типот препорачан од производителот.

## Предупредувања за употреба

- Немојте произволно да го расклопувате или реконструирате фрижидерот, ниту да го оштетувате колото на течности за ладење; одржувањето на апаратот мора да го изврши специјалист.
- Оштетениот кабел за напојување мора да го замени производителот, неговиот оддел за одржување или сродните професионалци за да се избегне опасност.
- Празнините помеѓу вратите на фрижидерот и помеѓу вратите и телото на фрижидерот се мали, имајте предвид да не ја ставате раката во овие области за да спречите стискање на прстот. Ве молиме бидете нежни кога ја отворате вратата од фрижидерот за да избегнете паѓање на предмети.
- Не бирајте храна или садови со влажни раце во комората за замрзнување кога работи фрижидерот, особено метални контејнери за да избегнете смрзнатини.
- Не дозволувајте ниту едно дете да влезе или да се качува во фрижидерот; во спротивно може да се предизвика гушење или повреда од паѓање на детето.
- Не ставајте тешки предмети на горниот дел од фрижидерот имајќи предвид дека објектите може да паднат при затворање или отворање на вратата и може да се предизвикаат случајни повреди.
- Ве молиме извлечете го приклучокот во случај на прекин на струја или чистење. Не поврзувајте го замрзнувачот на напојување во рок од пет минути за да спречите оштетување на компресорот поради последователни стартувања.

## Предупредувања за поставување

- Не ставајте запаливи, експлозивни, испарливи и високо корозивни предмети во фрижидерот за да спречите оштетување на производот или несреќи од пожар.
- Не ставајте запаливи предмети во близина на фрижидерот за да избегнете пожари.
- Фрижидерот е наменет за употреба во домаќинството, како што е складирање на храна; не смее да се користи за други цели, како што се складирање на крв, лекови или биолошки производи итн.
- Не чувајте пиво, пијалоци или други течности содржани во шишиња или затворени садови во комората за замрзнување на фрижидерот; инаку шишињата или затворените контејнери може да напукнат поради замрзнување и да предизвикаат штета.

## Предупредувања за енергија

1. Апаратите за ладење може да не работат постојано (можност за одмрзнување на содржината или температурата да стане премногу топла во преградата за замрзната храна) кога се поставени подолг временски период под студениот крај на опсегот на температури за кој е дизајниран апаратот за ладење.
2. Фактот дека шумливите пијалочи не треба да се чуваат во прегради или кабинети за замрзнување храна или во прегради или кабинети со ниска температура и дека некои производи како што се водените мразови не треба да се консумираат премногу ладни;
3. Потребата да не се надминува времето(ите) на складирање препорачано од производителите на храна за секаков вид храна, а особено за комерцијално брзо замрзната храна во прегради или кабинети за складирање храна за замрзнување и замрзната храна;
4. Мерки на претпазливост неопходни за да се спречи непотребно зголемување на температурата на замрзнатата храна при одмрзнување на апаратот за ладење, како што е завитување на замрзнатата храна во неколку слоеви весник.
5. Фактот дека зголемувањето на температурата на замрзнатата храна за време на рачно одмрзнување, одржување или чистење може да го скрати рокот на складирање.
6. Неопходноста, за врати или капаци опремени со брави и клучеви, клучевите да се чуваат подалеку од дофат на деца, а не во близина на апаратот за ладење, со цел да се спречат децата да се заклучуваат внатре

## Предупредувања за фрлање



Ладилното средство и материјалот за пена од циклопентан што се користат за фрижидерот се запаливи. Затоа, кога ладилникот се струга, тој треба да се чува подалеку од кој било извор на пожар и да биде извлечен од специјална компанија за опоравување со соодветна квалификација освен да се отстранува со согорување, за да се спречи оштетување на животната средина или каква било друга штета.



Кога фрижидерот е изгребан, расклопете ги вратите и извадете ја заптивката од вратата и полиците; ставете ги вратите и полиците на соодветно место, за да спречите заробување на кое било дете.



Правилно отстранување на овој производ:

Оваа ознака покажува дека овој производ не треба да се фрла со друг отпад од домаќинството низ ЕУ. За да спречите можна штета на животната средина или на човековото здравје од неконтролирано депонирање отпад, рециклирајте го одговорно за да промовирате одржлива повторна употреба на материјалните ресурси. За да го вратите користениот уред, користете ги системите за враќање и наплата или контактирајте со продавачот каде што е купен производот. Тие можат да го земат овој производ за еколошки безбедно рециклирање.

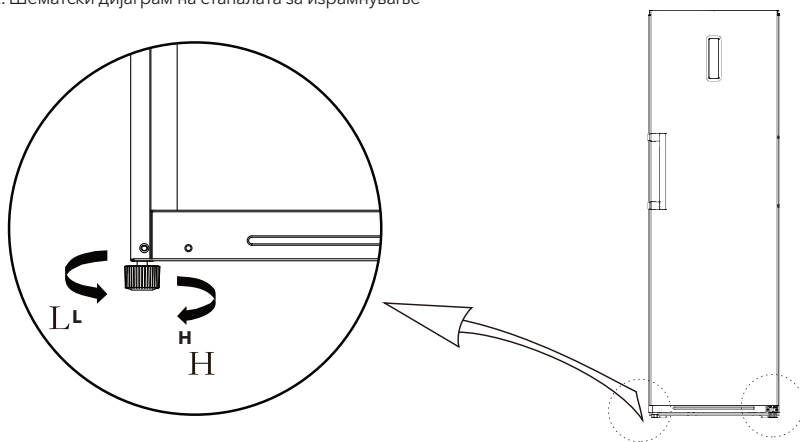
# ПРАВИЛНА УПОТРЕБА НА ФРИЖИДЕРИ

## Поставување

- Пред употреба, отстранете ги сите материјали за пакување, вклучувајќи ги долните перничиња, перничињата од пена и лентите во внатрешноста на фрижидерот; откнете ја заштитната фолија на вратите и телото на фрижидерот.
- Чувајте го подалеку од топлина и избегнувајте директна сончева светлина. Не ставајте го замрзнувачот на влажни или водени места за да спречите рѓа или намалување на изолациониот ефект.
- Не прскајте или мијте го фрижидерот; не го ставајте фрижидерот на влажни места што лесно може да се прскаат со вода за да не влијаат на електричните изолациски својства на фрижидерот.
- Фрижидерот се става на добро проветрено внатрешно место; земјата треба да биде рамна и цврста (ротирајте лево или десно за да го прилагодите тркалото за израмнување доколку е нестабилно).
- Горниот простор на фрижидерот треба да биде поголем од 30 см, а фрижидерот треба да биде поставен до ѕид со слободно растојание повеќе од 10 см за да се олесни дисипацијата на топлина.

## Стапала за израмнување

1. Мерки на претпазливост пред операцијата:  
Пред употреба на додатоките, треба да се осигура дека фрижидерот е исклучен од струја. Пред да ги наместите стапалата за израмнување, треба да се преземат мерки на претпазливост за да се спречи каква било лична повреда.
2. Шематски дијаграм на стапалата за израмнување



Сликата погоре е само за референца. Вистинската конфигурација ќе зависи од физичкиот производ или изјавата на дистрибутерот.

3. Постапки за прилагодување:
  - a. Свртете ги стапалата во насока на стрелките на часовникот за да го подигнете фрижидерот;
  - b. Свртете ги стапалата спротивно од стрелките на часовникот за да го спуштите фрижидерот;
  - c. Прилагодете ги десните и левите стапала врз основа на горенаведените процедури на хоризонтално ниво.

# ИНСТАЛАЦИЈА

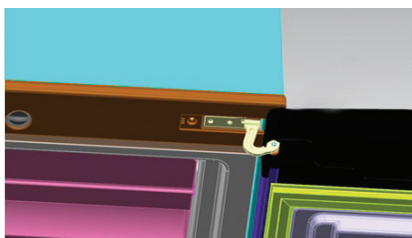
## Свртување на замавнувањето на вратата

Потребни алатки: шрафцигер во стилот Филипс / Шрафцигер со рамно сечило / Шестоаголен клуч / Шестоаголен клуч со штекер

1. Отстранете го капакот на десната горна шарка.

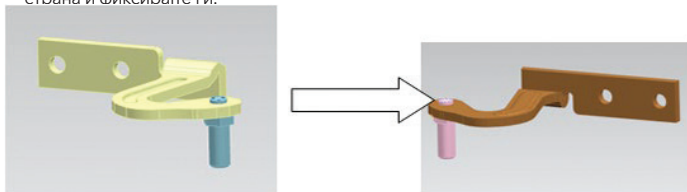


2. Извадете ги завртките прицврстени на горната шарка со шрафцигер со вкрстени отвори.

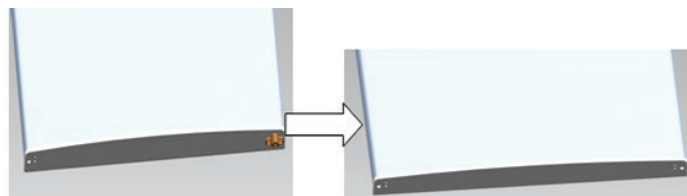


3. Заменете ја горната шарка и граничниот блок на горната врата и черупката на лежиштето на вратата на другата страна.

А. Отстранете ја навртката со раков. Извадете го чистачот, потоа отстранете ги оските на другата страна и фиксирајте ги.



В. Отстранете го граничниот блок на вратата

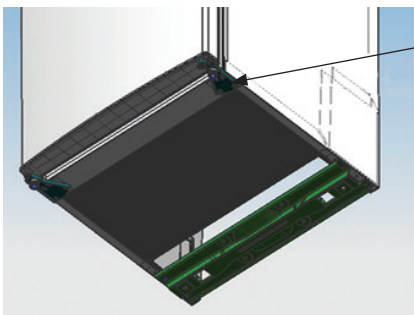




C. Ве молиме извадете друг блок за ограничување на вратата, со завртка за монтирање на вратата



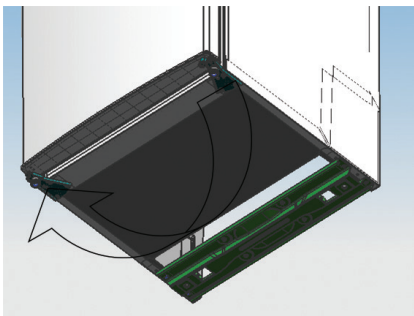
4. Расклопете ги завртките прицврстени на долната шарка со хексагонален клуч за штекер.



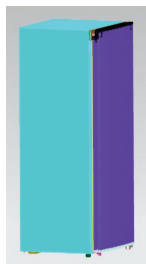
Завртките се фиксирани на долната шарка

Забелешка:  
наклонетиот агол на фрижидер-замрзнувачот е помал од 45°

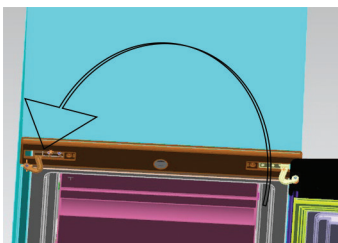
5. Вратете ја долната шарка на другата страна, а потоа фиксирајте ја со завртки.



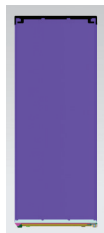
6. Поставете ја вратата во вистинската положба, поправете ја средната шарка.



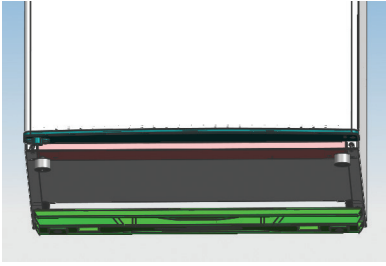
7. Заменете ја горната шарка.



8. Поставете ја горната врата во десната положба, фиксирајте ја горната шарка и капакот.



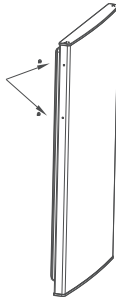
9. Вратете го израмнувачот на другата страна и прилагодете го за да се уверите дека кабинетот е на ниво.



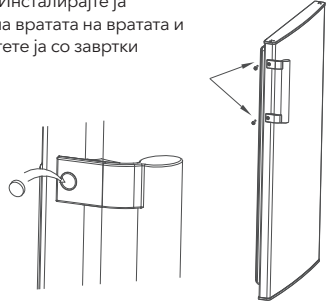
## Осветлување за монтирање на рачката на вратата (опционално)

Забелешка: Бројките во упатството за употреба се само за референца. Вистинскиот производ може малку да се разликува. Фрижидерот мора да се исклучи од изворот за напојување со електрична енергија пред да се обиде да го поставите додатокот.

Чекор 1: Извадете две иглички за приклучок од вратата (отворена страна на вратата)



Чекор 2: Инсталирајте ја рачката на вратата на вратата и прицврстете ја со завртки

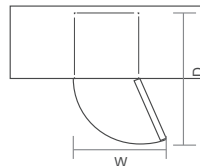


Чекор 3: Покријте ги капачињата за завртки на рачката во отвори за завртки



## Барања за простор на вратата

Вратата на единицата мора да може целосно да се отвори како што е прикажано.  
Ш×Д≥902×1052мм

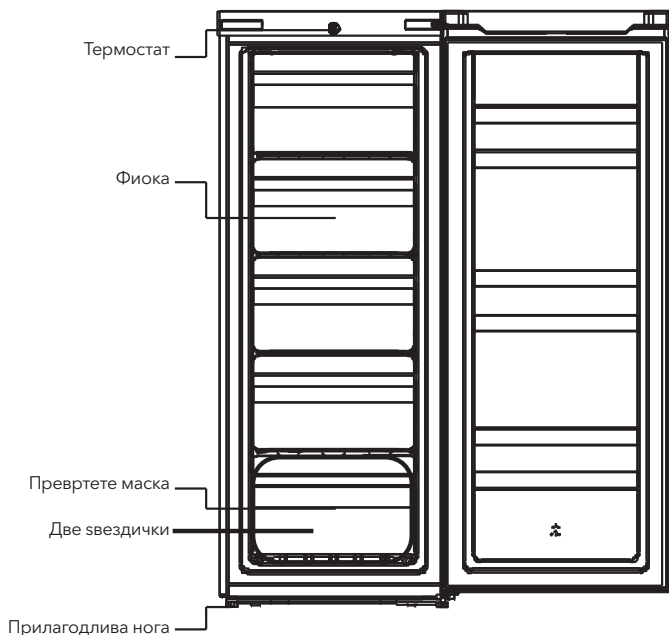


## Совети за заштеда на енергија


- Апаратот треба да се наоѓа на најладното место од просторијата, подалеку од апарати што произведуваат топлина или грејни канали и подалеку од директна сончева светлина.
- Оставете ја топлата храна да се излади на собна температура пред да ја ставите во апаратот. Преоптоварувањето на апаратот го принудува компресорот да работи подолго. Храната која премногу бавно замрзнува може да го изгуби квалитетот или да се расипе.
- Погрижете се правилно да ја завиткате храната и избришете ги контејнерите суви пред да ги ставите во апаратот. Ова го намалува таложењето мраз во внатрешноста на апаратот.
- Корпата за складирање на апаратот не треба да биде обложена со алуминиумска фолија, восочна хартија или хартиена крпа. Облогите ја попречуваат циркулацијата на ладниот воздух, што го прави апаратот помалку ефикасен.
- Организирајте и означете ја храната за да ги намалите отворите на вратите и продолженото пребарување. Отстранете онолку предмети колку што е потребно истовремено и затворете ја вратата што е можно поскоро.

## СТРУКТУРА И ФУНКЦИИ

### Клучни компоненти



Сите слики во ова упатство се само за индикација; ве молиме погледнете ја вашата индивидуална единица за детали.

Преградите за замрзната храна со две ѕвезди  се погодни за складирање на претходно замрзната храна, складирање или правење сладолед и правење коцки мраз, кои не се погодни за замрзнување на свежа храна.

### Фрижидер

- Комората за ладење е погодна за складирање на различни овошја, зеленчук, пијалоци и друга храна што се конзумира на краток рок.
- Храната за готвење не смее да се става во комората за ладење додека не се излади на собна температура.
- Храната се препорачува да се затвори пред да се стави во фрижидер.
- Стаклените полици може да се прилагодат нагоре или надолу за соодветен простор за складирање и лесна употреба.

### Замрзнувач

- Комората за замрзнување со ниска температура може да ја одржува храната свежа долго време и главно се користи за складирање на замрзната храна и правење мраз.
- Комората за замрзнување е погодна за складирање на месо, риба, оризови топчиња и друга храна што не треба да се конзумира на краток рок.
- Парчињата месо пожелно е да се поделат на мали парчиња за лесен пристап. Ве молиме имајте предвид дека храната треба да се конзумира во рокот на траење.

Забелешка: Складирањето премногу храна за време на работата по првичното приклучување на струја може негативно да влијае на ефектот на замрзнување на фрижидерот. Складираната храна не треба да го блокира излезот на воздухот; или во спротивно ефектот на замрзнување исто така ќе има негативно влијание

## ОПЕРАЦИЈА

### Вклучување на вашата единица

- Копчето за избирање температура се наоѓа на средината на горното светло.  
Поставување „Мин“: помалку ладна температура  
Поставување „Средна“: Нормална работа (соодветна за повеќето ситуации)  
Поставување „Макс“: Најладна температура
- При високи температури на околината на пр. во топлите летни денови. Можеби ќе треба да го поставите термостатот на поставката Најладна (положба „Max“). Ова може да предизвика компресорот да работи постојано за да се одржи ниска температура во кабинетот.
- За прв пат кога ќе го инсталирате фрижидерот, поставете го копчето на термостатот на „Мид“.

Дајте му време на вашиот фрижидер целосно да се олади пред да додадете храна. Најдобро е да почекате 24 часа пред да додадете храна. Копчето на термостатот ја контролира температурата.

### Бучава внатре во единицата!

Може да забележите дека вашата единица испушта необични звуци. Повеќето од нив се сосема нормални, но треба да бидете свесни за нив!

Овие звуци се предизвикани од циркулацијата на течноста за ладење во системот за ладење. Стана поизразен по воведувањето на гасовите без CFC. Ова не е грешка и нема да влијае на перформансите на вашиот уред. Ова е моторот на компресорот кој работи, бидејќи го пумпа ладилното средство околу системот.

### Совети за чување храна во единицата

- Чувајте го сировото месо/рибата во сад кој е доволно голем за да се соберат сокови и да се покрие правилно. Ставете го садот на најниската фиока.
- Оставете простор околу вашата храна, за да дозволите воздухот да циркулира внатре во уредот. Погрижете се сите делови на уредот да се чуваат ладни.
- За да спречите пренесување на намирниците и сушење, пакувајте ја или покријте ја храната посебно.
- Секогаш оставајте претходно зготвената храна да се излади пред да ја ставите во уредот. Ова ќе помогне да се одржи внатрешната температура на уредот.
- За да спречите ладен воздух да излегува од уредот, обидете се да го ограничите бројот на пати што ја отворате вратата. Препорачуваме да ја отворате вратата само кога треба да ставите или да извадите храна.

# ОДРЖУВАЊЕ И НЕГА НА ФРИЖИДЕРОТ

## Целокупно чистење

- Прашината зад фрижидерот и на земја треба навремено да се чистат за да се подобри ефектот на ладење и заштедата на енергија.
- Редовно проверувајте ја заптивката на вратата за да бидете сигурни дека нема остатоци. Исклучете ја заптивката на вратата со мека крпа натопена со вода со сапуница или разреден детергент.
- Внатрешноста на фрижидерот треба редовно да се чисти за да се избегне мирис.
- Ве молиме исклучете го напојувањето пред да ја чистите внатрешноста, отстранете ја целата храна, пијалоци .полици, фиоки итн.
- Користете мека крпа или сунѓер за чистење на внатрешноста на фрижидерот, со две лажичи сода бикарбона и 1 литар топла вода. Потоа исплакнете со вода и избришете го. По чистењето, отворете ја вратата и оставете ја природно да се исуши пред да го вклучите напојувањето.
- За места кои тешко се чистат во фрижидер (како тесни сендвичи, празнини или агли), се препорачува редовно да се бришат со мека крпа, мека четка итн. и кога е потребно, во комбинација со некои помошни алатки (како како тенки стапчиња) за да се осигура дека нема акумулација на загадувачи или бактерии во овие области.
- Не користете сапун, детергент, прашок за чистење, средство за чистење спреј итн., бидејќи тие може да предизвикаат мирис во внатрешноста на фрижидерот или контаминирана храна.
- Исклучете ја рамката од шишето, полиците и фиоките со мека крпа натопена со вода со сапуница или разреден детергент. Се суши со мека крпа или се суши природно.
- Избришете ја надворешната површина на фрижидерот со мека крпа натопена со вода со сапуница, детергент и сл., а потоа избришете ја на суво.
- Не користете тврди четки, чисти челични топчиња, жичени четки, абразиви (како пасти за заби), органски растворувачи (како алкохол, ацетон, масло од банана итн.), врела вода, киселински или алкални предмети, кои може да го оштетат фрижидерот површината и внатрешноста. Водата што врие и органските растворувачи како што е бензенот може да ги деформираат или оштетат пластичните делови.
- Не плакнете директно со вода или други течности за време на чистењето за да избегнете кратки споеви или да влијаете на електричната изолација по потопување.



Ве молиме исклучете го фрижидерот за одмрзување и чистење.

## Одмрзување

1. Исклучете го замрзувачот.
2. Извадете ја храната од замрзувачот и ставете ја правилно за да спречите топење на храната.
3. Исклучете ја одводната цевка (да користите меки материјали за да спречите оштетување на облогата), Подгответе ги контејнерите за вода за одмрзување. (обрнете внимание да ја исклучите фиоката за одвод на вода во преградата на компресорот, избегнувајќи прелевање на земја).
4. Можете да ја користите природната температура за природно одмрзување, можете да ја користите и лопата за мраз за да го елиминирате мразот (да користите пластична или дрвена лопата за мраз, за да избегнете оштетување на поставата или цевката)
5. Може да користите и соодветна количина топла вода за да го забрзате одмрзувањето, со сув пешкир за да ја исушите водата по одмрзувањето.
6. По одмрзувањето, вратете ја храната во кабинетот и вклучете го замрзувачот.

## Прекин на работа

- Прекин на струја: Во случај на прекин на струја, дури и ако е во лето, храната на апаратот може да се чува неколку часа; за време на прекин на електричната енергија, времето на отворање на вратата треба да се намали и да не се става повеќе свежа храна во апаратот.
- Долготрајна неупотреба: Апаратот треба да се исклучи од струја и потоа да се исчисти; тогаш вратите се оставаат отворени за да се спречи мирис.
- Преместување: Пред да се помести фрижидерот, извадете ги сите предмети внатре, фиксирајте ги стаклените прегради, држачот за зеленчук, фиоките на комората за замрзување и слично со лента, и затегнете ги стапалата за израмнување; затворете ги вратите и поправете ги со лента. За време на движењето, апаратот не треба да се поставува наопаку или хоризонтално, ниту да се вибрира; наклонот за време на движењето не треба да биде поголем од 45°.



Апаратот ќе работи непрекинато откако ќе се вклучи. Општо земено, работата на апаратот не треба да се прекинува; во спротивно може да се наруши работниот век

## РЕШАВАЊЕ НА ПРОБЛЕМИ

Може да се обидете сами да ги решите следните едноставни проблеми.  
Доколку не можат да се решат, ве молиме контактирајте го одделот за постпродажба.

|  |  |
|--|--|
| Неуспешна операција                                      | Проверете дали апаратот е приклучен на струја или дали приклучокот е во добро вметнат<br>Проверете дали напонот е премногу низок<br>Проверете дали има прекин на електричната енергија или делумни кола се исклучени   |
| Мирис  | Храната со јак мирис треба да биде цврсто завиткана<br>Проверете дали има расипана храна<br>Исчистете ја внатрешноста на фрижидерот  |
| Долготрајна работа на компресорот                        | Долгото работење на фрижидерот е нормално во лето кога температурата на околината е висока<br>Не е сугерирано да имате премногу храна во апаратот истовремено<br>Храната треба да се излади пред да се стави во апаратот<br>Вратите се отвораат премногу често                       |
| Светилките не успеваат да се уклучат                     | Проверете дали фрижидерот е приклучен на напојување и дали светилката е оштетена   |
| Вратите не можат да се затворат правилно                 | Вратата е заглавена од пакети со храна<br>Фрижидерот е навален   |
| Гласна бучава  | Проверете дали подот е на ниво и дали фрижидерот е стабилно поставен<br>Проверете дали додатоките се поставени на соодветни локации  |
| Заптивката на вратата не е затегната                     | Отстранете ги надворешните материји на заптивката на вратата<br>Загрејте ја заптивката на вратата и потоа изладете ја за реставрација (или дувајте го со електричен фен или користете топла крпа за загревање)   |
| Сад за складирање на кондензација и отопување се прелева | Има премногу храна во комората или складираната храна содржи премногу вода, што резултира со тешко одмрзување<br>Вратите не се затворени правилно, што резултира со замрзување поради влез на воздух и зголемена вода поради одмрзување  |
| Топло кукиште  | Дисипација на топлина на вградениот кондензатор преку кукиштето, што е нормално. Кога кукиштето станува жешко поради високата температура на околината и складирањето на премногу храна, се препорачува да се обезбеди звучна вентилација за да се олесни дисипацијата на топлината. |
| Површинска кондензација                                  | Кондензацијата на надворешната површина и заптивките на вратите на фрижидерот е нормална кога влажноста на околината е превисока.<br>Само избришете го кондензаторот со чиста крпа.  |
| Абнормален шум   | Звук: Компресорот може да произведува зуи за време на работата, а зуењето: се гласни особено при стартување или запирање. Ова е нормално.<br>Пукање: Ладилното средство кое тече во внатрешноста на апаратот може да предизвика крцкање, што е нормално.                             |

# MĂSURI DE SIGURANȚĂ

## ATENȚIE:



**Atenție:** risc de incendiu/materiale inflamabile

## RECOMANDĂRI:

- Acest aparat este destinat să fie utilizat în aplicații casnice și similare, cum ar fi zonele de bucătărie pentru personal din magazine, birouri și alte medii de lucru; ferme și de către clienți în hoteluri, moteluri și alte medii de tip rezidențial; medii tip pensiune; catering și aplicații similare non-retail.
- Acest aparat nu este destinat utilizării de către persoane (inclusiv copii) cu capacități fizice, senzoriale sau mentale reduse sau cu lipsă de experiență și cunoștințe, cu excepția cazului în care acestea au fost supravegheate sau instruite cu privire la utilizarea aparatului de către o persoană responsabilă pentru siguranța lor.)
- Copiii trebuie supravegheați pentru a se asigura că nu se joacă cu aparatul.
- Dacă cablul de alimentare este deteriorat, acesta trebuie înlocuit de către producător, agentul său de service sau persoane calificate pentru a evita un pericol.
- Nu depozitați în acest aparat substanțe explozive, cum ar fi cutii de aerosoli cu propulsor inflamabil.
- Aparatul trebuie scos din priză după utilizare și înainte de a efectua întreținerea de către utilizator.
- Păstrați orificiile de ventilație, în carcasa aparatului sau în structura încorporată, libere de obstacole.
- Nu folosiți dispozitive mecanice sau alte mijloace pentru a accelera procesul de dezghețare, altele decât cele recomandate de producător.
- Nu deteriorați circuitul de agent frigorific.
- Nu folosiți aparate electrice în interiorul compartimentelor de depozitare a alimentelor ale aparatului, decât dacă sunt de tipul recomandat de producător.
- Vă rugăm aruncați aparatul în conformitate cu reglementările locale, deoarece utilizează gaz inflamabil și agent frigorific.
- Când poziționați aparatul, asigurați-vă că cablul de alimentare nu este blocat sau deteriorat.
- Nu localizați mai multe prize portabile sau surse de alimentare portabile în partea din spate a aparatului.
- Nu utilizați prelungitoare sau adaptoare fără împământare (cu doi pini).
- Risc de blocare a copiilor. Înainte de a arunca aparatul:
  - Scoateți ușile.
  - Lăsați rafturile la locul lor, astfel încât copiii să nu se urce cu ușurință înăuntru
- Aparatul trebuie deconectat de la sursa de alimentare electrică înainte de a încerca instalarea accesoriilor.
- Refrigerantul și materialul spumant de ciclopentan

folosit pentru frigider sunt inflamabile. Prin urmare, atunci când frigiderul este casat, acesta trebuie ținut departe de orice sursă de foc și recuperat de o firmă specială de recuperare cu calificare corespunzătoare, altfel decât să fie eliminat prin ardere, pentru a preveni deteriorarea mediului sau orice alte daune.

- Acest aparat poate fi folosit de copii cu vârsta de la 8 ani și peste și de persoane cu capacități fizice senzoriale sau mentale reduse sau cu lipsă de experiență și cunoștințe, dacă au primit supraveghere sau instrucțiuni privind utilizarea aparatului într-un mod sigur și înțeleg pericolele implicate. Copiii nu se vor juca cu aparatul. Curățarea și întreținerea utilizatorului nu trebuie efectuate de copii fără supraveghere. Copiii cu vârsta cuprinsă între 3 și 8 ani au voie să încarce și să descarce aparatele frigorifice.
- Ușile trebuie să aibă încuietori și chei pentru a preveni blocarea copiilor în interior.
- Pentru a evita contaminarea alimentelor, vă rugăm să respectați următoarele instrucțiuni:
  - poate provoca o creștere semnificativă a temperaturii în compartimentele aparatului.
  - Curățați în mod regulat suprafețele care pot intra în contact cu alimentele și sistemele de drenaj accesibile.
  - Curățați rezervoarele de apă dacă nu au fost folosite timp de 48 de ore; spălați sistemul de apă conectat la o sursă de apă dacă apa nu a fost extrasă timp de 5 zile. (nota 1)
  - Păstrați carnea și peștele crud în recipiente adecvate în frigider, astfel încât să nu intre în contact cu alte alimente sau să picure peste acestea.
  - Compartimentele pentru alimente congelate cu sunt potrivite pentru depozitarea alimentelor precongolate, depozitarea sau prepararea înghețatei și prepararea cuburilor de gheață. (nota 2)
  - Compartimentele cu un și două și trei stele nu sunt potrivite pentru congelarea alimentelor proaspete. (nota 3)
  - Dacă aparatul frigorific este lăsat gol pentru perioade lungi de timp, opriți, dezghețați, curățați, uscați și lăsați ușa deschisă pentru a preveni formarea mucegaiului în interiorul aparatului.

Note 1,2,3: Please confirm whether it is applicable according to your product compartment type.

## Sensul simbolurilor de siguranță



Acesta este un simbol de interdicție. Nerespectarea acestui simbol poate cauza daune sau poate pune în pericol siguranța personală a utilizatorului.



Acesta este un simbol de avertizare. Respectați indicațiile acestui simbol. În caz contrar, puteți suferi daune materiale sau vătămări corporale.



Simbol de atenționare. Necesită o atenție specială. Nerespectarea poate cauza vătămări corporale minore sau daune materiale.

Acest manual conține măsuri de siguranță care trebuie respectate de utilizatori.

## Avertismente referitoare la electricitate

- Nu trageți de cablul de alimentare când trageți de ștecherul frigiderului. Vă rugăm să prindeți ferm ștecherul și să-l scoateți direct din priză.
- Pentru a asigura o utilizare în siguranță, nu deteriorați cablul de alimentare și nu utilizați cablul de alimentare atunci când este deteriorat sau uzat.
- Vă rugăm să utilizați o priză de alimentare dedicată, iar priza de alimentare nu trebuie să fie partajată cu alte aparate electrice. Ștecherul trebuie să fie ferm în contact cu priza, altfel ar putea fi provocate incendii.
- Vă rugăm să vă asigurați că electrodul de împământare al prizei de alimentare este echipat cu o linie de împământare fiabilă.
- Vă rugăm să închideți robinetul de scurgere a gazului și apoi deschideți ușile și ferestrele în caz de scurgere de gaz și alte gaze inflamabile. Nu deconectați frigiderul și alte aparate electrice, având în vedere că scântea poate provoca un incendiu.
- Nu folosiți aparate electrice pe partea superioară a aparatului, decât dacă sunt de tipul recomandat de producător.

## Atenționări de utilizare

- Nu dezamblați sau reconstruiți în mod arbitrar frigiderul și nici nu deteriorați circuitul de agent frigorific; întreținerea aparatului trebuie efectuată de un specialist.
- Cablul de alimentare deteriorat trebuie înlocuit de către producător, departamentul de întreținere sau profesioniști pentru a evita pericolul.
- Decalajele dintre ușile frigiderului și dintre uși și corpul frigiderului sunt mici, rețineți că nu puneți mâna în aceste zone pentru a preveni strângerea degetului. Vă rugăm să fiți atent când deschideți ușa frigiderului pentru a evita căderea articolelor.
- Nu ridicați alimente sau recipiente cu mâinile ude în camera de congelare când frigiderul este în funcțiune, în special recipiente metalice pentru a evita degerăturile.
- Nu permiteți niciunui copil să intre sau să se urce în frigider; în caz contrar, poate fi provocată rănirea copilului prin sufocare sau cădere.
- Nu așezați obiecte grele pe partea superioară a frigiderului, având în vedere că pot cădea atunci când închideți sau deschideți ușa și pot fi cauzate răni accidentale.
- Vă rugăm să scoateți ștecherul în caz de pană de curent sau de curățare. Nu conectați congelatorul la sursa de alimentare în decurs de cinci minute pentru a preveni deteriorarea compresorului din cauza pornirilor succesive.

## Avertizări privind așezarea

- Nu puneți articole inflamabile, explozive, volatile și foarte corozive în frigider pentru a preveni deteriorarea produsului sau accidente de incendiu.
- Nu așezați articole inflamabile în apropierea frigiderului pentru a evita incendiile.
- Frigiderul este destinat uzului casnic, cum ar fi depozitarea alimentelor; nu va fi utilizat în alte scopuri, cum ar fi depozitarea sângelui, a medicamentelor sau a produselor biologice etc.
- Nu depozitați berea, băutura sau alte lichide conținute în sticle sau recipiente închise în congelator; în caz contrar, sticlele sau recipientele închise se pot crăpa din cauza înghețului pentru a provoca daune.



## Avertismente pentru energie

1. Este posibil ca aparatele frigorifice să nu funcționeze în mod constant (posibilitatea dezghețării conținutului sau temperatura să devină prea caldă în compartimentul pentru alimente congelate) atunci când sunt amplasate pentru o perioadă lungă de timp sub limita rece a intervalului de temperaturi pentru care este proiectat aparatul frigorific.
2. Faptul că băuturile efervescente nu trebuie depozitate în compartimente sau rafturi congelatoare pentru alimente sau în compartimente sau dulapuri cu temperatură scăzută și că unele produse precum gheața nu trebuie consumate prea reci.
3. Necesitatea de a nu depăși timpul de păstrare recomandat de producătorii de alimente pentru orice fel de alimente și în special pentru alimentele congelate rapid din comerț în compartimente sau dulapuri de depozitare a alimentelor congelate;
4. Măsurile de precauție necesare pentru a preveni o creștere nejustificată a temperaturii alimentelor congelate în timpul dezghețării aparatului frigorific, cum ar fi ambalarea alimentelor congelate în multe straturi de ziar.
5. Faptul ca o creștere a temperaturii alimentelor congelate în timpul dezghețării manuale, întreținerii sau curățării ar putea scurta durata de viață

## Avertismente privind eliminarea



Refrigerantul și materialul spumant ciclopentan utilizat pentru frigider sunt inflamabile. Prin urmare, atunci când frigiderul este răzuit, acesta trebuie ținut departe de orice sursă de foc și recuperat de către o firmă de recuperare cu calificare corespunzătoare, nu eliminate prin ardere, astfel încât să se prevină deteriorarea mediului sau orice alte daune.



Când frigiderul este răzuit, dezasamblați ușile și îndepărtați garnitura ușii și a raftului; puneți ușile și rafturile într-un loc corespunzător, astfel încât să preveniți blocarea copiilor.



Eliminarea corectă a acestui produs:

Acest marcaj indică faptul că acest produs nu trebuie aruncat împreună cu alte deșeuri menajere în întreaga UE. Pentru a preveni posibilele daune aduse mediului sau sănătății umane prin eliminarea necontrolată a deșeurilor, reciclați-le în mod responsabil pentru a promova reutilizarea durabilă a resurselor materiale. Pentru a returna dispozitivul folosit, vă rugăm să utilizați sistemele de returnare și colectare sau contactați comerciantul de unde a fost achiziționat produsul. Ei pot lua acest produs pentru reciclare sigură pentru mediu.

# UTILIZAREA CORECTĂ A PRODUSULUI

## Amplasament

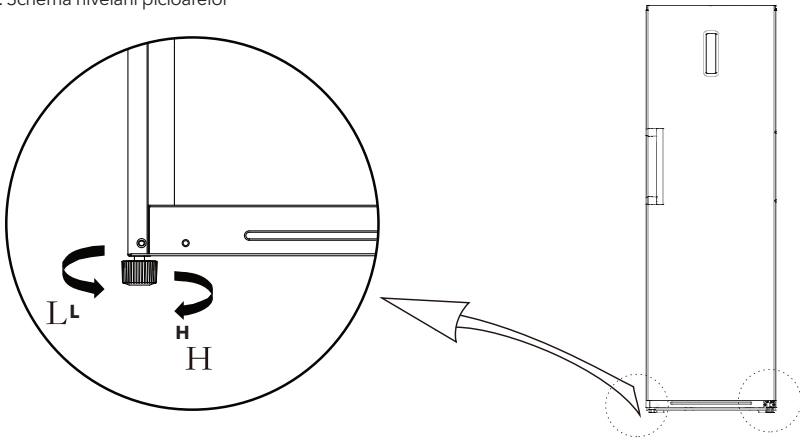
- Înainte de utilizare, îndepărtați toate ambalajele, inclusiv pernele inferioare, tamponurile de spumă și benzile din interiorul frigiderului; rupeți folia de protecție de pe uși și corpul frigiderului.
- A se ține departe de căldură și evita lumina directă a soarelui. Nu așezați congelatorul în locuri umede sau apoase pentru a preveni rugină sau reducerea efectului de izolare.
- Nu pulverizați sau spălați frigiderul; nu puneți frigiderul în locuri umede ușor de stropit cu apă pentru a nu afecta proprietățile de izolare electrică ale frigiderului.
- Frigiderul se așază într-un loc interior bine ventilat; solul trebuie să fie plat și robust (roțiți la stânga sau la dreapta pentru a regla roata pentru nivelare dacă este instabilă).
- Spațiul superior al frigiderului trebuie să fie mai mare de 30 cm, iar frigiderul trebuie așezat lângă un perete cu o distanță liberă mai mare de 10 cm pentru a facilita disiparea căldurii.

## Nivelarea picioarelor

### 1. Măsuri înainte de punerea în funcțiune:

Înainte de punerea în funcțiune a accesoriilor, trebuie să vă asigurați că frigiderul este deconectat de la curent. Înainte de reglarea picioarelor de nivelare, trebuie luate măsuri de precauție pentru a preveni orice vătămare corporală.

### 2. Schema nivelării picioarelor



Imaginea de mai sus este doar pentru referință. Configurația reală va depinde de produsul fizic sau de declarația distribuitorului.

### 3. Proceduri de ajustare:

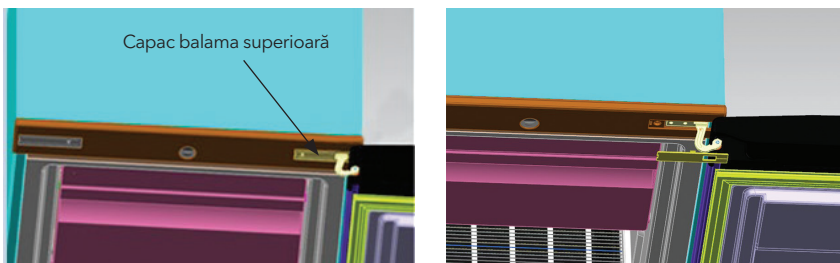
- Rotiți picioarele în sensul acelor de ceasornic pentru a ridica frigiderul;
- Rotiți picioarele în sens invers acelor de ceasornic pentru a coborî frigiderul;
- Reglați picioarele drepte și stângi pe baza procedurilor de mai sus la un nivel orizontal.

# INSTALARE

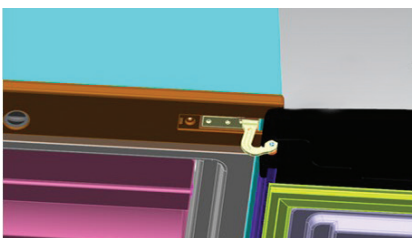
## Inversarea deschiderii ușii

Unelte necesare: șurubelniță Phillips / Șurubelniță cu lamă plată / Cheie hexagonală / Cheie tubulară hexagonală

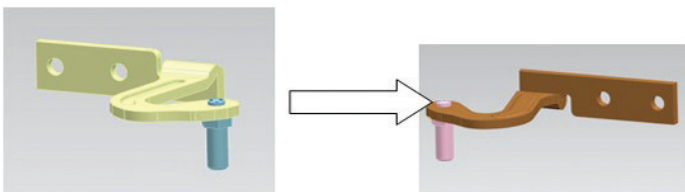
1. Scoateți capacul balamalei superioare



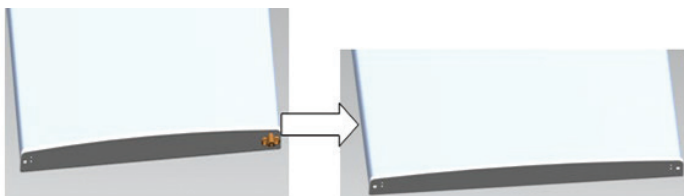
2. Scoateți șuruburile balamalei.



3. Înlocuiți balamaua superioară și blocul de limitare a ușii superioare și bucușa de uzură a ușii pe cealaltă parte  
A. Scoateți piulița cu manșon. Scoateți șaiba, apoi scoateți axele pe cealaltă parte și fixați.



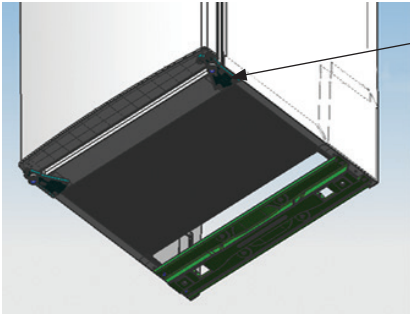
B. Îndepărtați limitatorul



C. Vă rugăm să scoateți un alt bloc de limită a ușii, cu montare cu șuruburi pe ușă,



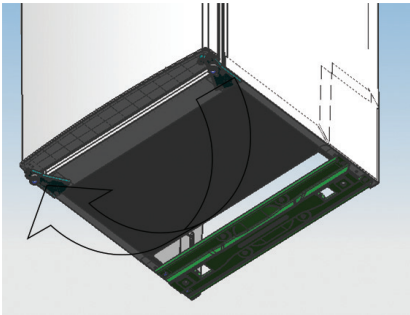
4. Dezasamblați șuruburile care fixează balamaua inferioară cu o cheie hexagonală.



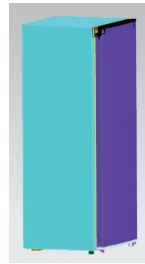
Șuruburile au fixat  
balamaua inferioară

Notă:  
unghiul de înclinare a frigiderului-congelator mai mic de 45°.

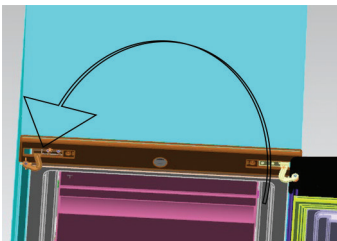
5. Înlocuiți balamaua inferioară pe cealaltă parte, apoi fixați-o cu șuruburi.



6. Așezați ușa, montați balamaua din mijloc .



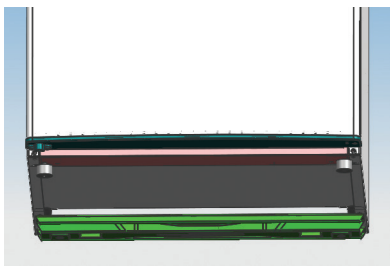
7. Înlocuiți balamaua superioară.



8. Setezi ușa de sus în poziția dreaptă, fixați balamaua superioară și capacul.



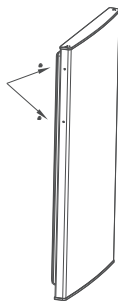
9. Înlocuiți dispozitivul de nivelare pe cealaltă parte și reglați-l pentru a vă asigura că dulapul este la nivel.



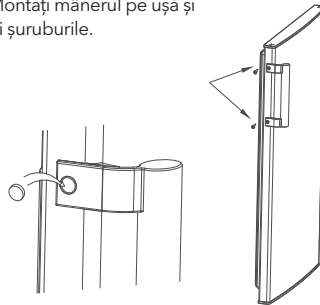
## Instalare iluminare mâner ușă (opțional)

Notă: Imaginile din manualul de utilizare sunt doar orientative. Produsul real poate diferi ușor. Frigiderul trebuie deconectat de la sursa de alimentare electrică înainte de a încerca instalarea accesoriului.

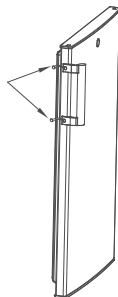
Pasul 1: scoateți două pinuri de la ușă (deschiderea ușii)



Pasul 2: Montați mânerul pe ușă și înșurubați șuruburile.

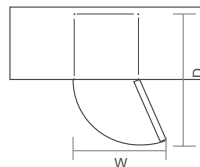


Pasul 3: Montați capacele șuruburilor.



## Cerințe spațiu ușă

Ușa aparatului trebuie să se poată deschide complet conform imaginii.  $W \times D \geq 902 \times 1052 \text{mm}$

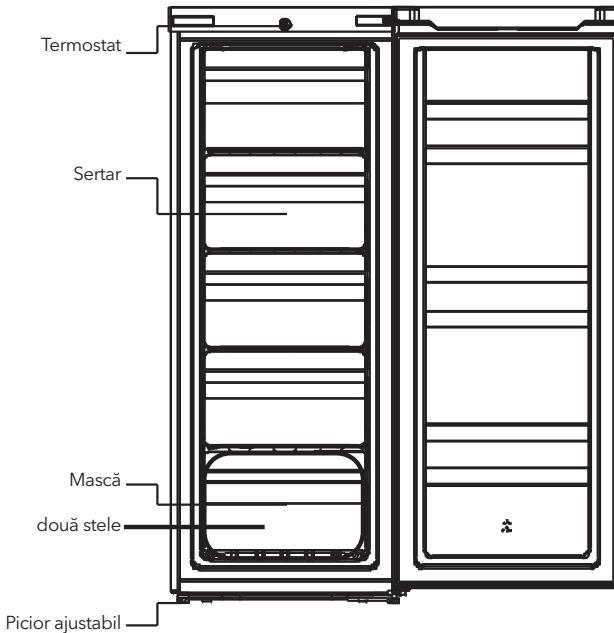


## Recomandări economisire energie

- Este posibil ca aparatele frigorifice să nu funcționeze în mod constant (posibilitatea dezghețării conținutului sau temperatura să devină prea caldă în compartimentul pentru alimente congelate) atunci când sunt amplasate pentru o perioadă lungă de timp sub limita rece a intervalului de temperaturi pentru care este proiectat aparatul frigorific.
- Faptul că băuturile efervescente nu trebuie depozitate în compartimente sau rafturi congelatoare pentru alimente sau în compartimente sau dulapuri cu temperatură scăzută și că unele produse precum gheața nu trebuie consumate prea reci.
- Necesitatea de a nu depăși timpul de păstrare recomandat de producătorii de alimente pentru orice fel de alimente și în special pentru alimentele congelate rapid din comerț în compartimente sau dulapuri de depozitare a alimentelor congelate;
- Măsurile de precauție necesare pentru a preveni o creștere nejustificată a temperaturii alimentelor congelate în timpul dezghețării aparatului frigorific, cum ar fi ambalarea alimentelor congelate în mai multe straturi de ziar.
- Faptul ca o creștere a temperaturii alimentelor congelate în timpul dezghețării manuale, întreținerii sau curățării ar putea scurta durata de viață.

## STRUCTURĂ ȘI FUNCȚI

### Componente-cheie



Toate imaginile sunt orientative

**[\* \*]** Compartimentele pentru alimente congelate sunt adecvate pentru a depozita alimente precongelate, înghețată sau pentru a face cuburi de gheață, dar nu sunt adecvate pentru congelarea alimentelor proaspete.

## Frigider

- Camera frigorifică este potrivită pentru depozitarea unei varietăți de fructe, legume, băuturi și alte alimente consumate pe termen scurt.
- Alimentele de gătit nu trebuie introduse în camera frigorifică până când nu se răcesc la temperatura camerei.
- Alimentele se recomandă să fie sigilate înainte de a le pune în frigider.
- Răfurile din sticlă pot fi reglate în sus sau în jos pentru un spațiu corespunzător de depozitare și o utilizare ușoară.

## Congelator

- Camera de congelare la temperatură joasă poate păstra alimentele proaspete pentru o perioadă lungă de timp și este folosită în principal pentru a păstra alimente congelate și pentru a face gheață.
- Camera de congelare este potrivită pentru depozitarea cărnii, peștelui, bile de orez și a altor alimente care nu trebuie consumate pe termen scurt.
- Bucățiile de carne sunt de preferat să fie împărțite în bucăți mici pentru un acces ușor. Vă rugăm să rețineți că alimentele vor fi consumate în timpul de depozitare.

Notă: Depozitarea prea multă alimente în timpul funcționării după conectarea inițială la alimentare poate afecta negativ efectul de îngheț al frigiderului. Alimentele depozitate nu trebuie să blocheze orificiul de evacuare a aerului; sau în caz contrar, efectul de îngheț va fi, de asemenea, afectat negativ ușa (partea ușii deschisă).

## FUNCȚIONARE

### Pornirea unității

- Butonul de selectare a temperaturii este situat pe mijlocul fasciculului superior.  
Setarea „Min”: Temperatură mai puțin rece  
Setarea „Mid”: Funcționare normală (adecvată pentru majoritatea situațiilor)  
Setarea „Max”: Temperatura cea mai rece
- La temperaturi ambientale ridicate, de ex. în zilele toride de vară, poate fi necesar să setați termostatul la setarea Cel mai rece (poziția „Max”). Acest lucru poate face ca compresorul să funcționeze continuu pentru a menține o temperatură scăzută în interior.
- Pentru prima dată când instalați frigiderul, setați butonul termostatului la „Mijloc”.

Lăsați frigiderul să se răcească complet înainte de a adăuga alimente. Cel mai bine este să așteptați 24 de ore înainte de a adăuga alimente. Butonul termostatului controlează temperatura.

### Zgomot în interiorul unității!

Este posibil să observați că unitatea dvs. face niște zgomote neobișnuite. Cele mai multe dintre acestea sunt perfect normale, dar ar trebui să fiți conștient de ele! Aceste zgomote sunt cauzate de circulația lichidului frigorific în sistemul de răcire. De la introducerea gazelor fără CFC, a devenit pronunțat. Aceasta nu este o defecțiune și nu va afecta performanța unității dumneavoastră. Acesta este motorul compresorului care funcționează, deoarece pompează agentul frigorific în jurul sistemului.

### Sfaturi pentru păstrarea alimentelor în unitate

- Păstrați carnea/peștele crud într-un recipient suficient de mare pentru a colecta sucuri și a le acoperi corespunzător. Așezați recipientul pe sertarul cel mai de jos.
- Lăsați spațiu în jurul alimentelor, pentru a permite aerului să circule în interiorul unității. Asigurați-vă că toate părțile unității sunt păstrate la rece.
- Pentru a preveni transferul favorurilor și uscarea, împachetați sau acoperiți alimentele separat.
- Lăsați întotdeauna alimentele pregătite să se răcească înainte de a pune în unitate. Acest lucru va ajuta la menținerea temperaturii interne a unității.
- Pentru a preveni ieșirea aerului rece din unitate, încercați să limitați numărul de ori când deschideți ușa. Vă recomandăm să deschideți ușa doar când trebuie să introduceți sau să scoateți mâncare.

# ÎNTREȚINEREA APARATULUI

## Curățare generală

- Praful din spatele frigiderului și de pe sol trebuie curățat în timp util pentru a îmbunătăți efectul de răcire și a economisi energie.
- Verificați în mod regulat garnitura ușii pentru a vă asigura că nu există resturi. Curățați garnitura ușii cu o cârpă moale umezită cu apă cu săpun sau detergent diluat.
- Interiorul frigiderului trebuie curățat regulat pentru a evita mirosul.
- Vă rugăm să opriți alimentarea înainte de a curăța interiorul, îndepărtați toate alimentele, băuturile, rafturile, sertarele etc.
- Folosiți o cârpă moale sau un burete pentru a curăța interiorul frigiderului, cu două linguri de bicarbonat de sodiu și un litru de apă caldă. Apoi clătiți cu apă și ștergeți. După curățare, deschideți ușă și lăsați-o să se usuce natural înainte de a porni.
- Pentru zonele greu de curățat în frigider (cum ar fi porțiuni înguste, goluri sau colțuri), se recomandă să le ștergeți în mod regulat cu o cârpă moale, perie moale etc. și atunci când este necesar, combinate cu unele unelte auxiliare (cum ar fi ca bețișoare subțiri) pentru a asigura nicio acumulare de contaminanți sau bacterii în aceste zone.
- Nu folosiți săpun, detergent, praf pentru spălat, spray de curățat etc., deoarece acestea pot provoca mirosuri în interiorul frigiderului sau alimente contaminate.
- Curățați cadrul sticlei, rafturile și sertarele cu o cârpă moale umezită cu apă cu săpun sau detergent diluat. Ușcați cu o cârpă moale sau uscați în mod natural.
- Ștergeți suprafața exterioară a frigiderului cu o cârpă moale umezită cu apă cu săpun, detergent etc., apoi ștergeți-l.
- Nu utilizați perii dure, bile de oțel, perii de sârmă, abrazive (cum ar fi paste de dinți), solvenți organici (cum ar fi alcool, acetona, ulei de banane etc.), apă clocotită, articole acide sau alcaline, care pot deteriora frigiderul, suprafața și interiorul. Apa clocotită și solvenții organici, cum ar fi benzenul, pot deforma sau deteriora piesele din plastic.
- Nu clătiți direct cu apă sau alte lichide în timpul curățării pentru a evita scurtcircuitul sau pentru a afecta izolația electrică după imersare.



Deconectați de la alimentare pentru dezghețare și curățare.

## Dezghețare

1. Opriți congelatorul.
2. Scoateți alimentele din congelator și puneți-le corect pentru a preveni topirea alimentelor.
3. Curățați țeava de scurgere (folosiți materiale moi pentru a preveni deteriorarea căptușelii), Pregătiți recipientele de apă pentru dezghețare. (atenție la curățarea tăvii de scurgere a apei din compartimentul compresorului, evitând revărsarea la sol).
4. Utilizați temperatura naturală pentru dezghețarea naturală, puteți folosi și raclă de gheață pentru eliminarea înghețului (pentru a folosi raclă de gheață din plastic sau lemn, pentru a evita deteriorarea căptușelii sau conductei)
5. De asemenea, puteți folosi cantitatea adecvată de apă fierbinte pentru a accelera dezghețarea, cu un prosop uscat pentru a usca apa după dezghețare.
6. După dezghețare, puneți alimente înapoi în dulap și porniți congelatorul.

## Nefuncționare

- Pana de curent: În caz de pană de curent, chiar dacă este vară, alimentele din interiorul aparatului pot fi păstrate câteva ore; în timpul căderii de curent, timpul de deschidere a ușii va fi redus și nu se vor mai introduce alimente proaspete în aparat.
- Neutilizare îndelungată: Aparatul trebuie scos din priză și apoi curățat; apoi ușile sunt lăsate deschise pentru a preveni mirosul.
- Mutare: Înainte de a muta frigiderul, scoateți toate obiectele pe dos, fixați peretele despărțitori de sticlă, suportul pentru legume, sertarele camerei de congelare etc. cu bandă adezivă și strângeți picioarele de nivelare; închideți ușile și fixați-le cu bandă adezivă. În timpul deplasării, aparatul nu trebuie să fie așezat cu capul în jos sau orizontal și nici să fie vibrat; înclinarea în timpul mișcării nu trebuie să fie mai mare de 45°.





Aparatul va funcționa continuu odată ce este pornit. În general, funcționarea aparatului nu trebuie întreruptă; în caz contrar, durata de viață poate fi afectată.

## DEPANARE

Puteți încerca să rezolvați singur următoarele probleme simple.

Dacă acestea nu pot fi rezolvate, vă rugăm să contactați departamentul post-vânzare.

|   |  |
|---|--|
| Nefuncționare                           | Verificați dacă aparatul este conectat la curent sau dacă ștecherul este bine în contact<br>Verificați dacă tensiunea este prea scăzută<br>Verificați dacă există o întrerupere a curentului sau s-au declanșat circuite parțiale  |
| Miros                                   | Alimentele mirositoare trebuie să fie etanș împachetate<br>Verificați dacă există alimente stricate<br>Curățați interiorul frigiderului  |
| Funcționare îndelungată a compresorului | Funcționarea îndelungată a frigiderului este normală vara când temperatura ambientală este ridicată<br>Nu este recomandat să aveți prea multă mâncare în aparat în același timp<br>Mâncarea se va răci înainte de a fi introdusă în aparat.<br>Ușile sunt deschise prea des              |
| Becurile nu se aprind                   | Verificați dacă frigiderul este conectat la sursa de alimentare și dacă lumina de iluminare este deteriorată   |
| Ușile nu se închid rapid                | Ușa este blocată de pachetele alimentare.<br>Frigiderul este înclinat  |
| Zgomot                                  | Verificați dacă podeaua este nivelată și dacă frigiderul este așezat stabil<br>Verificați dacă accesoriile sunt amplasate în locuri adecvate   |
| Garnitura ușii nu se închide            | Îndepărtați corpurile străine de pe garnitura ușii<br>Încălziți garnitura ușii și apoi răciți-o pentru restaurare (sau suflați-l cu un uscător electric sau folosiți un prosop fierbinte pentru încălzire)   |
| Containerul de apă este plin            | Există prea multă mâncare în cameră sau alimentele depozitate conțin prea multă apă, ceea ce duce la o dezghețare puternică<br>Ușile nu sunt închise corespunzător, rezultând îngheț din cauza intrării de aer și creșterea apei din cauza dezghețului                                   |
| Carcasă fierbinte                       | Disiparea căldurii condensatorului încorporat prin carcasă, ceea ce este normal.<br>Când carcasa devine fierbinte din cauza temperaturii ambientale ridicate și a depozitării prea multor alimente, se recomandă asigurarea unei ventilații sonore pentru a facilita disiparea căldurii. |
| Consens pe suprafață                    | Condensul pe suprafața exterioară și pe garniturile ușilor frigiderului este normal când umiditatea ambientală este prea mare.<br>Doar ștergeți condensul cu un prosop curat.  |
| Zgomot anormal                          | Bâzâit: compresorul poate produce zgomot în timpul funcționării, iar zgomotul: sunt puternic, în special la pornire sau oprire. Asta este normal.<br>Scârțâit: agentul frigorific care curge în interiorul aparatului poate produce scârțâit, ceea ce este normal.                       |

# VARNOSTNA OPOZORILA

## OPOZORILO:



**Opozorilo:** nevarnost požara / vnetljivi materiali

## PRIPOROČILA:

- Ta naprava je namenjena uporabi v gospodinjstvu in podobnih prostorih, kot so kuhinje za osebe v trgovinah, pisarnah in drugih delovnih okoljih, na kmetijah ter za stranke v hotelih, motelih in drugih stanovanjskih okoljih, za gostinske obrate in podobne namene, ki niso namenjeni prodaji na drobno.
- Če je napajalni kabel poškodovan, ga mora zamenjati proizvajalec, njegov servisni zastopnik ali podobno usposobljene osebe, da bi se izognili nevarnosti.
- V tej napravi ne shranjujte eksplozivnih snovi, kot so aerosolne pločevinke z vnetljivim pogonskim gorivom.
- Napravo je treba po uporabi in pred izvajanjem uporabniškega vzdrževanja na napravi izključiti iz električnega omrežja.
- **OPOZORILO:** prezračevalne odprtine v ohišju naprave ali vgrajeni konstrukciji naj ne bodo ovirane.
- **OPOZORILO:** Ne uporabljajte mehanskih naprav ali drugih sredstev za pospeševanje odmrzovanja, razen tistih, ki jih priporoča proizvajalec.
- **OPOZORILO:** Ne poškodujte hladilnega kroga.
- **OPOZORILO:** Ne uporabljajte električnih aparatov v prostorih za shranjevanje živil v aparatu, razen če gre za tip, ki ga priporoča proizvajalec.
- **OPOZORILO:** Opustite napravo v skladu z lokalnimi predpisi, saj uporablja vnetljiv pihalni plin in hladilno sredstvo.
- **OPOZORILO:** Pri nameščanju naprave poskrbite, da se napajalni kabel ne ujame ali poškoduje.
- **OPOZORILO:** Na zadnji strani naprave ne nameščajte več prenosnih vičnic ali prenosnih napajalnikov.
- Ne uporabljajte podaljševalnih kablov ali neozemljenih (dvožilnih) adapterjev.
- **NEVARNOST:** nevarnost ujetja otroka. Preden napravo zavržete:
  - Odstranite vrata.
  - Police pustite na mestu, tako da otroci ne morejo zlahka splezati v notranjost.
- Preden se lotite zamenjavanja dodatne opreme, morate aparat odklopiti od vira električnega napajanja.
- Hladilno sredstvo in ciklopentan, ki se uporablja za penjenje hladilnika, sta vnetljiva. Zato mora biti hladilnik pri rezreзу shranjen stran od vira ognja in ga mora prevzeti posebno podjetje za predelavo z ustreznimi pooblastili da se prepreči škoda za okolje ali kakršna koli druga škoda.
- Za standard EN: To napravo lahko uporabljajo otroci, stari od 8 let, in osebe z zmanjšano telesno zaznavnostjo ali duševno motnjo sposobnostmi ali pomanjkanjem izkušenj in znanja, če so bile nadzorovane ali poučene o uporabi naprave na varen način in če razumejo nevarnosti, ki so s tem povezane. Otroci se z napravo ne smejo igrati. Otroci ne smejo čistiti in vzdrževati naprave brez nadzora. Otroci, stari od 3 do 8 let, je dovoljeno natovarjati in raztovarjati hladilne naprave.
- Za standard IEC: Ta naprava ni namenjena za uporabo osebam (vključno z otroki) z zmanjšanimi fizičnimi, senzoričnimi ali duševnimi sposobnostmi ali s pomanjkanjem izkušenj in znanja, razen če jih je oseba, odgovorna za njihovo varnost, nadzorovala ali jim dala navodila glede uporabe naprave).
- Otroci morajo biti pod nadzorom, da se ne igrajo z napravo.
- Navodila morajo vsebovati naslednje vsebine: Da bi se izognili kontaminaciji živil, upoštevajte naslednja navodila:
  - Dolgotrajno odpiranje vrat lahko povzroči znatno povišanje temperature v prostorih aparata.
  - Redno čistite površine, ki lahko pridejo v stik z živilom, in dostopne odtočne sisteme.
  - Očistite rezervoarje za vodo, če jih niste uporabljali 48 ur; izpraznite vodovodni sistem, priključen na vodovod, če vode niste črpali 5 dni. (opomba 1)
  - Surovo meso in ribe shranjujte v ustreznih posodah v hladilniku, tako da ne pridejo v stik z drugimi živilom ali ne kapljajo nanje.
  - Predelki za zamrznjena živila z dvema zvezdicama [✱ ✱] so primerni za shranjevanje vnaprej zamrznjenih živil, shranjevanje ali pripravo sladoleda in izdelavo ledenih kock. (opomba 2)
  - Predelki z eno [✱], dvema [✱ ✱] in tremi zvezdicami [✱ ✱ ✱] niso primerni za zamrzovanje svežih živil. (opomba 3)
  - Če hladilni aparat dlje časa ostane prazen, ga izklopite, odmrznite, očistite, posušite in pustite vrata odprta, da preprečite nastanek plesni v aparatu.

Opomba 1, 2, 3: preverite, ali se nanaša na vrsto predelka v vašem izdelku.

## Pomen varnostnih opozorilnih simbolov



To je simbol prepovedi. Vsako neupoštevanje navodil, označenih s tem simbolom, lahko povzroči poškodbe izdelka ali ogrozi osebno varnost uporabnika.



To je simbol opozorila. Delovanje mora biti strogo v skladu z navodili, ki so označena s tem simbolom, sicer se lahko izdelek poškoduje ali pa je ogrožena uporabnikova lastna varnost.



To je simbol svarila. Pri navodilih, označenih s tem simbolom, je potrebna posebna previdnost. Zaradi nepredvidnosti lahko pride do rahlih ali zmernih telesnih poškodb ali pa poškodb izdelka.

Ta priročnik vsebuje veliko pomembnih varnostnih informacij, ki jih morajo uporabniki upoštevati.

## Opozorila v zvezi z električno energijo

- Med vlečenjem vtiča hladilnika za napajalni kabel ne potegnite za napajalni kabel. Vtič trdno primite in ga neposredno izvlecite iz vtičnice.
- Za zagotovitev varne uporabe ne poškodujte napajalnega kabla in ga ne uporabljajte, če je poškodovan ali obrabljen.
- Uporabljajte namensko vtičnico in vtičnice ne smete deliti z drugimi električnimi napravami.
- Napajalni vtič se mora trdno dotikati vtičnice, sicer lahko pride do požara.
- Prepričajte se, da je ozemljitvena elektroda vtičnice opremljena z zanesljivo ozemljitveno linijo.
- V primeru uhajanja plina in drugih vnetljivih plinov zaprite ventil uhajajočega plina in nato odprite vrata in okna. Hladilnika in drugih električnih naprav ne izključite iz električnega omrežja, saj lahko iskre povzročijo požar.
- Ne uporabljajte električnih naprav na vrhu aparata, razen če gre za tip, ki ga priporoča proizvajalec.

## Opozorila za uporabo

- Hladilnika ne razstavljajte in ne predelujte samovoljno ter ne poškodujte hladilnega kroga; vzdrževanje naprave mora opraviti strokovnjak.
- Poškodovan napajalni kabel mora zamenjati proizvajalec, njegov oddelek za vzdrževanje ali sorodni strokovnjaki, da bi se izognili nevarnosti.
- Vrzeli med vrati hladilnika ter med vrati in ohišjem hladilnika so majhne, bodite pozorni, da na ta območja ne položite roke, da ne bi stisnili prsta. Pri odpiranju vrat hladilnika bodite previdni, da ne bi prišlo do padca predmetov.
- V zamrzovalni komori med delovanjem hladilnika z mokrimi rokami ne pobirajte živil ali posod, zlasti ne kovinskih posod, da se izognete omrzlinam.
- Otrokom ne dovolite, da bi vstopili v hladilnik ali se nanj povzpeli, sicer lahko pride do zadušitve ali poškodbe otroka zaradi padca.
- Na vrh hladilnika ne postavljajte težkih predmetov, saj lahko cilji pri zapiranju ali odpiranju vrat padejo, kar lahko povzroči nenamerne poškodbe.
- V primeru izpada električne energije ali čiščenja izvlecite vtič. Zamrzovalnika v petih minutah ne priključite na električno omrežje, da preprečite poškodbe kompresorja zaradi zaporednih zagonov.

## Opozorila za namestitve

- V hladilnik ne polagajte vnetljivih, eksplozivnih, hlapljivih in zelo jedkih predmetov, da preprečite poškodbe izdelka ali požar.
- Vnetljivih predmetov ne postavljajte v bližino hladilnika, da preprečite požar.
- Hladilnik je namenjen za uporabo v gospodinjstvu, na primer za shranjevanje živil; ne sme se uporabljati v druge namene, na primer za shranjevanje krvi, zdravil ali bioloških izdelkov itd.
- V zamrzovalni komori hladilnika ne shranjujte piva, pijač ali drugih tekočin v steklenicah ali zaprtih posodah; sicer lahko steklenice ali zaprte posode zaradi zamrzovanja popokajo in povzročijo škodo.

## Opozorilo za energijo

1. Hladilni aparati morda ne bodo delovali dosledno (možnost odmrzovanja vsebine ali prevroče temperature v predelu za zamrznjena živila), če bodo dlje časa nameščeni pod mrzlim koncem temperaturnega območja, za katerega je hladilni aparat zasnovan.
2. Dejstvo, da šumečih pijač ne smemo shranjevati v zamrzovalnih oddelkih ali omarah za živila ali v nizkotemperaturnih oddelkih ali omarah in da nekaterih izdelkov, kot so vodni sladoledi, ne smemo uživati prehladne;
3. Da je treba v zamrzovalnih oddelkih ali omaricah za živila in zamrznjena živila, ki se hranijo v komercialne namene, ne prekoračiti časa(-ov) shranjevanja, ki ga(-ih) priporočajo proizvajalci živil za vse vrste živil in zlasti za komercialno hitro zamrznjena živila;
4. previdnostne ukrepe, ki so potrebni za preprečitev nepotrebne dviga temperature zamrznjenega živila med odmrzovanjem hladilnega aparata, kot je zavijanje zamrznjenega živila v več plasti časopisa.
5. Dejstvo, da lahko povišanje temperature zamrznjenih živil med ročnim odmrzovanjem, vzdrževanjem ali čiščenjem skrajša čas skladiščenja.
6. Da je pri vratih ali pokrovih, opremljenih s ključavnicami in ključi, treba ključe hraniti zunaj dosega otrok in ne v bližini hladilnega aparata, da se prepreči, da bi se otroci zaklenili v notranjost.

## Opozorila za odstranjevanje



Hladilno sredstvo in ciklopentan, ki se uporablja za penjenje hladilnika, sta vnetljiva. Zato je treba hladilnik, ko je razrezan, hraniti stran od vira ognja in ga obnoviti. posebno podjetje za predelavo z ustreznimi kvalifikacijami, da se prepreči škoda za okolje ali kakršna koli druga škoda, in ne odstrani s sežiganjem.



Ko hladilnik postrgate, razstavite vrata in odstranite tesnilo z vrat in polic; vrata in police postavite na ustrezno mesto, da se otrok ne bi ujel.



Pravilno odstranjevanje tega izdelka:

Ta oznaka označuje, da se ta izdelek ne sme odstranjevati skupaj z drugimi gospodinjstvi odpadki po vsej EU. Da bi preprečili morebitno škodo za okolje ali zdravje ljudi zaradi nenadzorovanega odlaganja odpadkov, ga odgovorno reciklirajte in tako spodbudite trajnostno ponovno uporabo materialnih virov. Če želite vrniti uporabljen napravo, uporabite sisteme za vračanje in zbiranje ali se obrnite na prodajalca na drobno, pri katerem ste izdelek kupili. Ti lahko ta izdelek prevzamejo za okolju varno recikliranje.

# PRAVILNA UPORABA HLADILNIKOV

## Umestitev

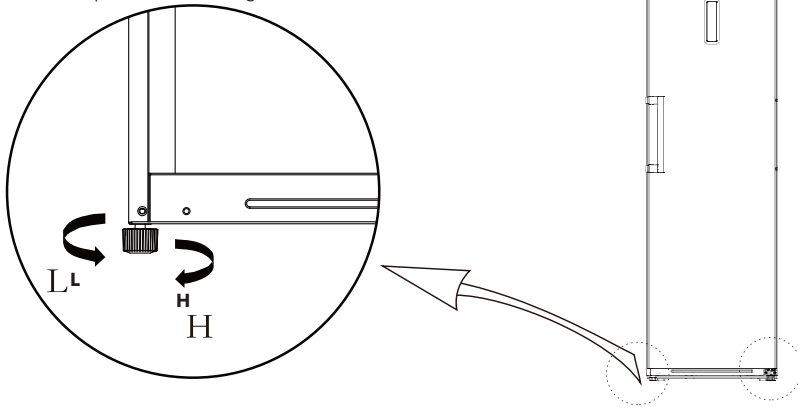
- Pred uporabo odstranite ves embalažni material, vključno z blazinami na dnu, penastimi blazinicami in trakovi v notranjosti hladilnika; odrgajte zaščitno folijo na vratih in ohišju hladilnika.
- Hranite stran od toplote in se izogibajte neposredni sončni svetlobi. Zamrzovalnika ne postavljajte na vlažna ali vodnata mesta, da preprečite rjavenje ali zmanjšanje izolacijskega učinka.
- Hladilnika ne pršite ali umivajte; hladilnika ne postavljajte na vlažna mesta, ki jih zlahka poškrapi voda, da ne bi vplivali na električne izolacijske lastnosti hladilnika.
- Hladilnik postavite v dobro prezračen notranji prostor; tla morajo biti ravna in stabilna (obračajte levo ali desno, da prilagodite kolo za izravnavo, če je nestabilno).
- Zgornji prostor hladilnika mora biti večji od 30 cm in Hladilnik mora biti postavljen ob steno s prosto razdaljo več kot 10 cm, da se olajša odvajanje toplote.

## Izravnalne noge

### 1. Previdnostni ukrepi pred uporabo:

Pred uporabo dodatne opreme je treba zagotoviti, da je hladilnik izključen iz električnega omrežja. Pred nastavljanjem nivelirnih nogic je treba sprejeti previdnostne ukrepe, da se preprečijo morebitne telesne poškodbe.

### 2. Shematski prikaz nivelirnih nogic



Zgornja slika je le referenčna. Dejanska konfiguracija je odvisna od fizičnega izdelka ali izjave distributerja.

### 3. Postopki prilagajanja:

- a. Za dvig hladilnika obrnite nogice v smeri urinega kazalca;
- b. Če želite hladilnik spustiti, obrnite nogice v nasprotni smeri urinega kazalca;
- c. Desno in levo nogico na podlagi zgornjih postopkov nastavite v vodoravni položaj.

# NAMESTITEV

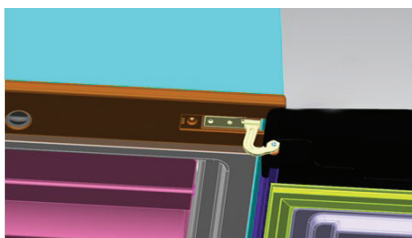
## Obračanje nihanja vrat

Potrebna orodja: Izvijavec s križnim rezilom / Izvijavec s ploščatim rezilom / Šestiložni ključ / Šestiložni vtični ključ

1. Odstranite desni zgornji pokrov tečaja.

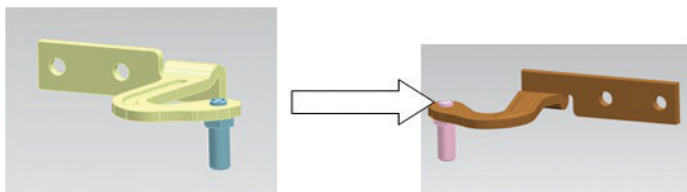


2. S križnim izvijačem odstranite vijake, ki so pritrjeni na zgornji tečaj.

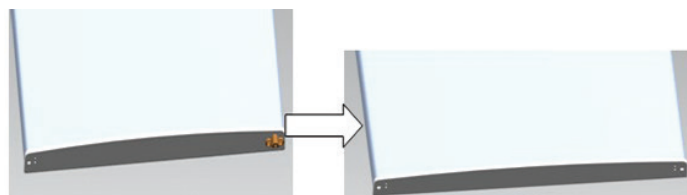


3. Zamenjajte zgornji tečaj in omejevalni blok zgornjih vrat ter ležajno pušo vrat na drugo stran.

A. Odstranite matico s tulcem. Odstranite podložko, nato odstranite osi na drugo stran in jih pritrdite.



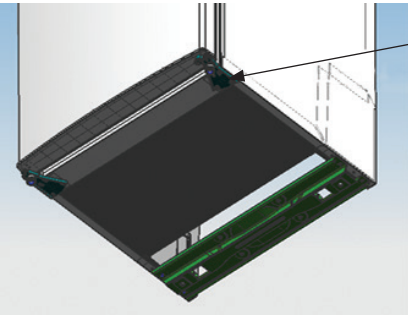
B. Odstranite omejevalni blok vrat



C. Prosimo, da vzamete še en omejevalni blok vrat z vijačno pritrditvijo na vrata.



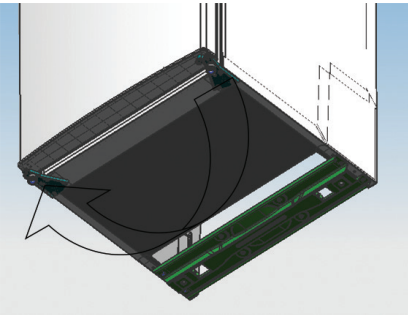
4. S šesterokotnim ključem odstranite vijake, ki so pritrjeni na spodnji tečaj.



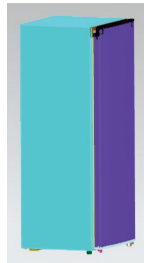
Vijaki so pritrjeni na spodnji tečaj

Opomba:  
kot nagiba hladilnika in zamrzovalnika je manjši od 45°.

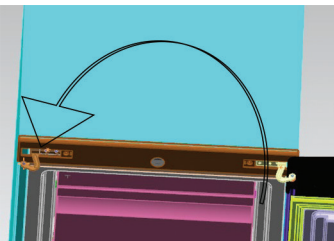
5. Spodnji tečaj namestite na drugo stran in ga pritrdite z vijaki.



6. Nastavite pravi položaj vrat, pritrdite srednji tečaj.



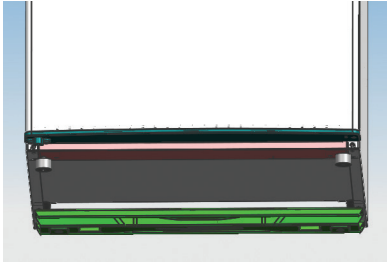
7. Zamenjajte zgornji tečaj.



8. Nastavite zgornja vrata v pravi položaj , pritrdite zgornji tečaj in pokrov.



9. Namestite nivelir na drugo stran in ga nastavite tako, da bo omarica v ravnem položaju.



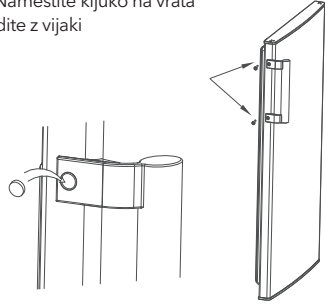
## Namestitev kljuge vrat Osvetlitev (neobvezno)

Opomba: Slike v uporabniškem priročniku so le referenčne. Dejanski izdelek se lahko nekoliko razlikuje. Hladilnik je treba odklopiti od vira električnega napajanja, preden se lotite namestitve dodatne opreme.

Korak 1: izvlecite dva vtiča iz vrat (stran vrat je odprta)



Korak 2: Namestite kljuko na vrata in jo pritrdite z vijaki

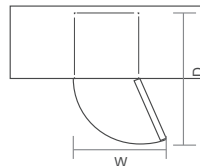


Korak 3: Pokrijte vijачne pokrovčke ročaja v luknje za vijake



## Zahteve glede prostora za vrata

Vrata enote se morajo popolnoma odpreti, kot je prikazano na sliki. Š×G≥902×1052mm



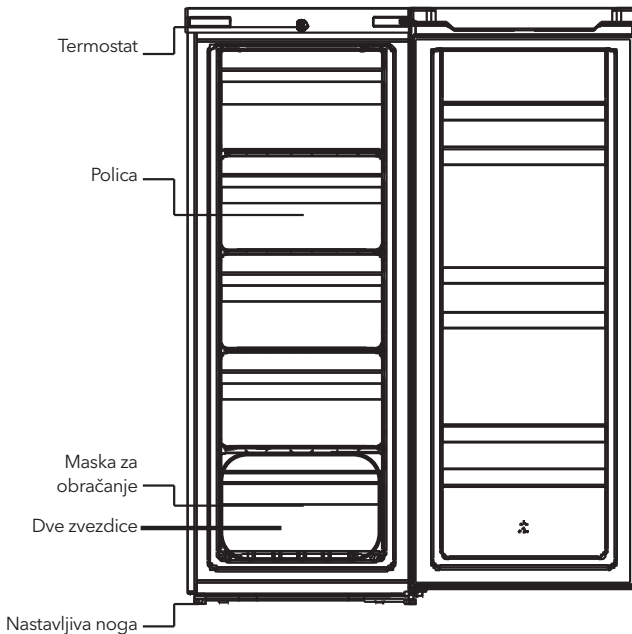


## Nasveti za varčevanje z energijo


- Naprava mora biti nameščena v najhladnejšem delu prostora, stran od naprav, ki proizvajajo toploto, ali ogrevalnih kanalov in zunaj neposredne sončne svetlobe.
- Preden vroča živila položite v aparat, jih ohladite na sobno temperaturo. Zaradi preobremenitve aparata mora kompresor delovati dlje. Živila, ki zamrzujejo prepočasi, lahko izgubijo kakovost ali se pokvarijo.
- Preden živila vstavite v aparat, jih ustrezno zavijte in posode obrišite do suhega. To zmanjša nastajanje zmrzali v notranjosti aparata.
- Posoda za shranjevanje aparata ne sme biti obložena z aluminijasto folijo, voščenim papirjem ali papirnatimi brisačami. Obloge ovirajo kroženje hladnega zraka, zaradi česar je aparat manj učinkovit.
- Živila organizirajte in označite, da zmanjšate število odprtih vratih in podaljšanih iskanj. Naenkrat odstranite le toliko predmetov, kolikor jih potrebujete, in čim prej zaprite vrata.

## STRUKTURA IN FUNKCIJA

### Ključne komponente



Vse slike v tem priročniku so le okvirne; podrobnosti si oglejte v posamezni enoti.

Predelki za zamrznjena živila z dvema zvezdicama  fso primerni za shranjevanje predhodno zamrznjenih živil, shranjevanje ali pripravo sladoleda in izdelavo ledenih kock, niso pa primerni za zamrzovanje svežih živil.

**Hladilnik**

- Hladilna komora je primerna za shranjevanje različnega sadja, zelenjave, pijač in drugih živil, ki se porabijo za kratek čas.
- Živila, ki se kuhajo, se ne smejo dajati v hladilno komoro, dokler se ne ohladijo na sobno temperaturo.
- Priporočljivo je, da živila pred postavitvijo v hladilno komoro zaprete.
- Steklene police je mogoče prilagoditi navzgor ali navzdol za ustrezen prostor za shranjevanje in enostavno uporabo.

**Freezer**

- Zamrzovalna komora z nizko temperaturo lahko ohrani živila sveža dlje časa, uporablja pa se predvsem za shranjevanje zamrznjenih živil in izdelavo ledu.
- Zamrzovalna komora je primerna za shranjevanje mesa, rib, riževih kroglic in drugih živil, ki se ne porabijo v kratkem času.
- Kose mesa je zaželeno razdeliti na manjše kose, da so lažje dostopni. Upoštevajte, da je treba živila porabiti v roku, ki je določen na polici.

Opomba: Shranjevanje prevelike količine hrane med delovanjem po lahko negativno vpliva na zamrzovalni učinek hladilnika. Shranjena živila ne smejo blokirati izhoda zraka, sicer bo to negativno vplivalo tudi na zamrzovalni učinek.

## DELOVANJE

**Switching On Your Unit**

- Gumb za izbiro temperature se nahaja na sredini zgornjega žarka.
- Nastavitev "Min": Nastavitev "Min" (manj hladna temperatura)  
Nastavitev "Mid": Nastavitev "Max": normalna temperatura (primerna za večino situacij): Najhladnejša temperatura
- Med visokimi temperaturami okolice, npr. v vročih poletnih dneh. Morda bo treba termostat nastaviti na nastavitev Coolst (položaj "Max"). to lahko povzroči neprekinjeno delovanje kompresorja, da se ohrani nizka temperatura v omarici.
- Pri prvi namestitvi hladilnika nastavite gumb termostata v položaj "Mid".

Pred dodajanjem živil pustite hladilniku čas, da se popolnoma ohladi. Najbolje je, da pred dodajanjem živil počakate 24 ur. Z gumbom termostata uravnavate temperaturo.

**Noise Inside the Unit!**

Morda boste opazili, da vaša enota povzroča nenavadne zvoke. Večina teh zvokov je povsem običajnih, vendar se jih morate zavedati!

Ti zvoki so posledica kroženja hladilne tekočine v hladilnem sistemu. Po uvedbi plinov brez vsebnosti freonov so postali rudi izraziti. To ni napaka in ne vpliva na delovanje vaše enote. To je delovanje motorja kompresorja, ki črpa hladilno sredstvo po sistemu.

**Nasveti za shranjevanje hrane v enoti**

- Surovo meso/ribe shranjujte v dovolj veliki posodi, da se v njej zbirajo sokovi, in jo ustrezno pokrijte. Posodo postavite na najnižji predal.
- Okoli živil pustite prostor, da lahko zrak kroži v notranjosti enote. Poskrbite, da bodo vsi deli enote hladni.
- Da bi preprečili prenos dobrot in izsušitev, živila pakirajte ali pokrijte ločeno.
- Vedno počakajte, da se vnaprej pripravljena hrana ohladi, preden jo vstavite v enoto. To bo pomagalo ohraniti notranjo temperaturo enote.
- Da bi preprečili uhajanje hladnega zraka iz enote, poskušajte omejiti število odpiranj vrat. Priporočamo, da vrata odprete le, ko morate v napravo vstaviti ali iz nje vzeti hrano.

# VZDRŽEVANJE IN NEGA NAPRAVE

## Celotno čiščenje

- Prah za hladilnikom in na tleh je treba pravočasno očistiti, da se izboljša učinek hlajenja in prihrani energija.
- Redno preverjajte tesnilo vrat in se prepričajte, da na njem ni smeti. Tesnilo vrat očistite z mehko krpo, navlaženo z milnico ali razredčenim detergentom.
- Notranjost hladilnika je treba redno čistiti, da se izognete neprijetnemu vonju.
- Pred čiščenjem notranjosti izklopite napajanje, odstranite vsa živila, pijačo, police, predale itd.
- Za čiščenje notranjosti hladilnika uporabite mehko krpo ali gobo z dvema žlicama sode bikarbone in četrtino tople vode. Nato ga sperite z vodo in obrišite do čistega. Po čiščenju odprite vrata in pustite, da se naravno posuši, preden vklopite napajanje.
- Območja v hladilniku, ki jih je težko očistiti (kot so ozki sendviči, vrzeli ali koti), je priporočljivo redno brisati z mehko krpo, mehko krtačo itd. in jih po potrebi kombinirati z nekaterimi pomožnimi orodji (kot so tanke palice), da se na teh območjih ne bi nabirale nečistoče ali bakterije.
- Ne uporabljajte mila, detergenta, čistil v prahu, čistil v razpršilu itd., saj lahko povzročijo neprijetne vonjave v notranjosti hladilnika ali kontaminacijo živil.
- Okvir steklenice, police in predale očistite z mehko krpo, navlaženo z milnico ali razredčenim detergentom. Osušite z mehko krpo ali posušite naravno.
- Zunanjo površino hladilnika obrišite z mehko krpo, navlaženo z milnico, razredčenim detergentom itd. in jo nato obrišite do suhega.
- Ne uporabljajte trdih ščetk, čistih jeklenih kroglic, žičnih ščetk, abrazivnih sredstev (kot so zobne paste), organskih topil (kot so alkohol, aceton, bananovo olje itd.), vrele vode, kislih ali alkalnih predmetov, ki lahko poškodujejo površino in notranjost hladilnika. Vreča voda in organska topila, kot je benzen, lahko deformirajo ali poškodujejo plastične dele.
- Med čiščenjem ne spirajte neposredno z vodo ali drugimi tekočinami, da ne pride do kratkega stika ali vpliva na električno izolacijo po potopitvi.



Zaradi odmrzovanja in čiščenja hladilnik izključite iz električnega omrežja.

## Odmrzovanje

1. Izklopite zamrzovalnik.
2. Odstranite živila iz zamrzovalnika in jih pravilno postavite, da se živila ne stopijo.
3. Očistite odtočno cev (uporabiti mehke materiale, da ne poškodujete obloge), pripravite posode z vodo za odmrzovanje. (bodite pozorni, da očistite pladenj za odtekanje vode v predelu kompresorja, da ne pride do preliivanja na tla).
4. Za naravno odmrzovanje lahko uporabite naravno temperaturo, za odpravo zmrzali lahko uporabite tudi lopato za led (uporabiti plastično ali leseno lopato za led, da ne poškodujete obloge ali cevi).
5. Za pospešitev odmrzovanja lahko uporabite tudi ustrezno količino vroče vode, ki jo po odmrzovanju osušite s suho brisačo.
6. Po odmrzovanju živila postavite nazaj v omaro in vklopite zamrzovalnik.

## Ne deluje

- Izpad električne energije: V primeru izpada električne energije, tudi poleti, se lahko živila v aparatu hranijo več ur; med izpadom električne energije se čas odpiranja vrat skrajša, v aparat pa se ne vstavlja več svežih živil.
- Dolgotrajna neuporaba: Pripomoček se izključi iz električnega omrežja in nato očisti; vrata se pustijo odprta, da se prepreči neprijeten vonj.
- Premikanje: Pred premikanjem hladilnika vzemite vse predmete ven, s trakom pritrdite steklene pregrade, držalo za zelenjavo, predale zamrzovalne komore itd. in zategnite izravnalne nogice; zaprite vrata in jih pritrdite s trakom. Med premikanjem naprave ne smete postaviti na glavo ali vodoravno ali jo vibrirati; naklon med premikanjem ne sme biti večji od 45°.



Naprava mora po zagonu delovati neprekinjeno. Na splošno se delovanje naprave ne sme prekiniti, sicer se lahko življenjska doba naprave skrajša.

## ODPRAVLJANJE TEŽAV

Naslednje preproste naloge lahko poskusite rešiti sami.  
Če jih ne morete rešiti, se obrnite na poprodajni oddelek.

|                                   |   |
|-----------------------------------|---|
| Neuspešna operacija               | Preverite, ali je aparat priključen na električno in ali je vtič v dobrem stiku.<br>Preverite, ali je napetost prenizka<br>Preverite, ali je prišlo do izpada električne energije ali so se sprožili delni tokokrogi                                    |
| Vonj                              | Živila z neprijetnim vonjem morajo biti tesno zavita<br>Preverite, ali je v hladilniku kakšno gnilo živilo Očistite notranjost hladilnika.  |
| Dolgotrajno delovanje kompresorja | Dolgotrajno delovanje hladilnika je poleti, ko je temperatura okolja visoka, normalno.<br>Ni priporočljivo, da je v aparatu hkrati preveč živil Hrana se mora pred vstavitvijo v aparat ohladiti.<br>Vrata se prepogosto odpirajo                       |
| Luč se ne prižge                  | Preverite, ali je hladilnik priključen na električno omrežje in ali je svetlobna lučka poškodovana.<br>Svetlobno lučko zamenjajte pri strokovnjaku  |
| vrata ni mogoče pravilno zapreti. | Vrata se zataknejo zaradi paketov hrane Hladilnik je nagnjen  |
| Glasi zvok                        | Preverite, ali so tla ravna in ali je hladilnik stabilno postavljen<br>Preverite, ali je dodatna oprema nameščena na ustreznih mestih.  |
| Tesnilo vrat ni tesno             | Odstranite tujke na tesnilu vrat<br>segrejte tesnilo vrat in ga nato ohladite za obnovo<br>(ali ga prepričajte z električnim sušilnikom ali za segrevanje uporabite vročo brisačo).   |
| Pladenj za vodo se preliva        | V komori je preveč živil ali pa shranjena živila vsebujejo preveč vode, zaradi česar se močno odtajajo.<br>Vrata niso pravilno zaprta, zaradi česar prihaja do zmrzali zaradi vstopa zraka in povečane količine vode zaradi odmrzovanja                 |
| Vroče ohišje                      | Odvajanje toplote vgrajenega kondenzatorja prek ohišja je normalno. Kadar se ohišje segreje zaradi visoke temperature okolja in skladiščenja prevelike količine hrane, je priporočljivo zagotoviti dobro prezračevanje, da se olajša odvajanje toplote. |
| Površinska kondenzacija           | Kondenzacija na zunanji površini in tesnilih vrat hladilnika je normalna, če je vlažnost okolja previsoka. Kondenzat samo obrišite s čisto brisačo.   |
| Nenormalen hrup                   | Brenčanje: Kompresor lahko med delovanjem proizvaja brenčanje, ki je glasno zlasti ob zagonu ali ustavitvi. To je normalno.<br>škrpanje: Hladilo, ki se pretaka v notranjosti naprave, lahko povzroča škrpanje, kar je normalno.                        |

# BEZBEDNOSNA UPOZORENJA

## UPOZORENJE:



**Upozorenje:** Rizik od požara / zapaljivih materijala

## PREPORUKE:

- Ovaj uređaj je namenjen za kućnu i slične primene, kao što su kuhinje za osoblje u prodavnicama, kancelarijama i drugim radnim okruženjima; seoske kuće i od strane gostiju u hotelima, motelima drugim stambenim okruženjima; apartmani i sobe za iznajmljivanje; ugostiteljski i slični ne-trgovinskih primena.
- Ako je napojni kabl oštećen, mora ga zameniti proizvođač, njegov servisni agent ili slično kvalifikovane osobe kako bi se izbegla opasnost.
- Ne skladištite eksplozivne supstance kao što su aerosolne konzerve sa zapaljivim pogonskim sredstvom u ovom uređaju.
- Uređaj mora biti isključen iz struje nakon upotrebe i pre nego što obavite održavanje uređaja.
- **UPOZORENJE:** Održavajte otvore za ventilaciju, u kućistu uređaja ili u ugrađenoj konstrukciji, slobodnim od prepreka.
- **UPOZORENJE:** Ne koristite mehaničke uređaje ili druge metode kako biste ubrzali proces odmrzavanja, osim onih koje preporučuje proizvođač.
- **UPOZORENJE:** Ne oštećujte kruženje rashladnog sredstva.
- **UPOZORENJE:** Ne koristite električne uređaje unutar prostora za skladištenje hrane uređaja, osim ako su tipa preporučenog od strane proizvođača.
- **UPOZORENJE:** Molimo vas da otpremite uređaj u skladu sa lokalnim propisima, jer koristi zapaljiv gas za puhanje i rashladno sredstvo.
- **UPOZORENJE:** Prilikom postavljanja uređaja, pobrinite se da napojni kabl nije zahvaćen ili oštećen.
- **UPOZORENJE:** Nemojte postavljati više prenosivih utičnica ili prenosivih napajanja na zadnju stranu uređaja.
- Ne koristite produžne kablove ili neuzemljene (sa dva pina) adaptere.
- **OPASNOST:** Opasnost od zaglavlivanja deteta.  
Pre nego što se rešite aparata:  
- Skinite vrata.  
- Ostavite police na mestu kako deca ne bi lako mogla da se popnu unutra.
- Pre nego što pokušate da instalirate dodatke, uređaj mora biti isključen iz izvora električnog napajanja.
- Rashladno sredstvo i pena na bazi ciklopentana koja se koristi u frižideru su zapaljivi. Zato, kada se frižider odbaci dalje od svake vatre izvora i treba ga preuzeti od strane specijalizovane kompanije za oporavak sa odgovarajućim kvalifikacijama,

umesto da se odbaci sagorevanjem, kako bi se sprečila šteta životnoj sredini ili bilo kakva druga šteta

- Za EN standard: Ovaj uređaj mogu koristiti deca stara 8 godina i starija, kao i osobe sa smanjenim fizičkim, senzornim ili mentalnim sposobnostima ili nedostatkom iskustva i znanja, pod uslovom da su dobili nadzor ili instrukcije o sigurnom korišćenju uređaja i razumeju rizike uključene u to. Deca se ne smeju igrati s uređajem. Čišćenje i održavanje uređaja ne smeju vršiti deca bez nadzora. Deca uzrasta od 3 do 8 godina smeju da utovaruju i istovaruju rashladne uređaje.
- Za IEC standard: Ovaj uređaj nije namenjen za upotrebu od strane osoba (uključujući decu) sa smanjenim fizičkim, senzornim ili mentalnim sposobnostima, ili nedostatkom iskustva i znanja, osim ako nisu dobili nadzor ili instrukcije u vezi sa upotrebom uređaja od strane osobe odgovorne za njihovu sigurnost.
- Deca treba da budu pod nadzorom kako bi se osiguralo da se ne igraju sa uređajem.
- Uputstva treba da sadrže sadržaj sledećeg: Da biste izbegli kontaminaciju hrane, molimo poštujte sledeća uputstva:
  - Dugotrajno otvaranje vrata može uzrokovati značajan porast temperature u pregradama uređaja.
  - Redovno čistite površine koje mogu doći u dodir s hranom i pristupačne sisteme odvodnje.
  - Operite rezervoare za vodu ako nisu korišćeni 48 sati; isperite sistem za vodu povezan s izvorom vode ako voda nije korišćena 5 dana. (napomena 1)
  - Sirovo meso i ribu čuvajte u odgovarajućim posudama u frižideru, tako da ne dođu u dodir sa drugom hranom ili ne kaplju na nju.
  - Dve zvezde odeljci za zamrznutu hranu su pogodni za čuvanje prethodno zamrznute hrane, skladištenje ili pravljenje sladoleda i pravljenje kockica leda. (napomena 2)
  - Jedna , dve i tri zvezde pregrade nisu pogodne za zamrzavanje sveže hrane. (napomena 3)
  - Ako rashladni uređaj ostane prazan tokom dužeg vremenskog perioda, isključite ga, odmrznite, očistite, osušite i ostavite vrata otvorena kako biste sprečili razvoj plesni unutar uređaja.

Napomena 1, 2, 3: Molimo potvrdite da li se primenjuje prema vrsti pregrade vašeg proizvoda.

## Značenje simbola za bezbednosna upozorenja



Ovo je simbol zabrane. Svako nepoštovanje uputstava obeleženih ovim simbolom može rezultirati oštećenjem proizvoda ili ugrožavanjem lične bezbednosti korisnika.



Ovo je simbol upozorenja. Potrebno je strogo poštovati upute označene ovim simbolom; inače može doći do oštećenja proizvoda ili povreda osobe.



Ovo je simbol upozorenja. Uputstva označena ovim simbolom zahtevaju poseban oprez. Nedovoljan oprez može rezultirati blagim ili umjerenim povredama ili oštećenjem proizvoda.

Ovo uputstvo sadrži mnogo važnih bezbednosnih informacija koje korisnici moraju da poštuju.

## Upozorenja u vezi sa električnom energijom

- Nemojte povlačiti kabl za napajanje kada vučete utikač frižidera. Čvrsto uhvatite utikač i izvucite ga direktno iz utičnice.
- Da biste osigurali bezbednu upotrebu, nemojte oštetiti kabl za napajanje niti koristiti kabl za napajanje ako je oštećen ili istrošen.
- Koristite namensku utičnicu za struju i utičnicu ne smete deliti sa drugim električnim uređajima.
- Utikač za napajanje treba da bude čvrsto u kontaktu sa utičnicom ili u suprotnom može doći do požara.
- Uverite se da je elektroda za uzemljenje utičnice opremljena pouzdanom linijom za uzemljenje.
- Isključite ventil gasa koji curi, a zatim otvorite vrata i prozore u slučaju curenja gasa i drugih zapaljivih gasova. Ne isključujte frižider i druge električne uređaje s obzirom da varnica može izazvati požar.
- Ne koristite električne uređaje na vrhu uređaja, osim ako nisu tipa koje preporučuje proizvođač.

## Upozorenja u vezi sa korišćenjem

- Nemojte proizvoljno rastavljati ili rekonstruisati frižider, niti oštetiti rashladni krug; održavanje aparata mora vršiti stručnjak.
- Oštećeni strujni kabl mora zameniti proizvođač, njegovo odeljenje za održavanje ili odgovarajući stručnjaci kako bi se izbegla opasnost.
- Razmaci između vrata frižidera i između vrata i tela frižidera su mali, obratite pažnju da ne stavljate ruke u ove prostore kako biste sprečili stiskanje prsta. Budite nežni prilikom otvaranja vrata frižidera kako biste izbegli padanje predmeta.
- Ne uzimajte hranu ili posude mokrim rukama u zamrzivaču dok frižider radi, posebno metalne posude, kako biste izbegli smrzavanje.
- Ne dozvolite deci da ulaze ili se penju na frižider; inače može doći do gušenja ili pada deteta.
- Ne stavljajte teške predmete na vrh frižidera, s obzirom da se predmeti mogu srušiti prilikom zatvaranja ili otvaranja vrata, i mogući su slučajni povredi.
- Molimo vas da izvadite utikač u slučaju nestanka struje ili čišćenja. Ne povežite zamrzivač sa napajanjem u roku od pet minuta kako biste sprečili oštećenje kompresora zbog uzastopnih startova.

## Upozorenja u vezi sa postavljanjem

- Nemojte stavljati zapaljive, eksplozivne, lako isparljive i visoko korozivne predmete u frižider kako biste sprečili oštećenja proizvoda ili požar.
- Ne stavljajte zapaljive predmete blizu frižidera kako biste izbegli požare.
- Frižider je namenjen za kućnu upotrebu, kao što je skladištenje hrane; ne sme se koristiti za druge svrhe, kao što je skladištenje krvi, lekova ili bioloških proizvoda, itd.
- Ne čuvajte pivo, napitke ili druge tečnosti u bocama ili zatvorenim posudama u zamrzivaču frižidera; inače, boce ili zatvorene posude mogu puknuti usled smrzavanja, što može prouzrokovati oštećenja.

## Upozorenja u vezi sa energetsom efikasnošću

1. Rashladni uređaji možda neće dosledno raditi (postoji mogućnost otapanja sadržaja ili povećanja temperature u zamrznutom delu) kada su postavljeni tokom dužeg perioda ispod donje granice temperatura za koje je rashladni uređaj dizajniran.
2. Napomena da se gazirani napici ne smeju čuvati u odjeljcima ili ormarićima za zamrzavanje hrane ili u odjeljcima ili ormarićima niske temperature, i da određeni proizvodi poput voćnih ledova ne bi trebali biti konzumirani previše hladni;
3. Potreba da se ne prekorači preporučeno vreme skladištenja koje preporučuju proizvođači hrane za bilo koju vrstu hrane, a posebno za komercijalno brzo zamrznutu hranu u odjeljcima ili ormarićima za zamrzavanje hrane;
4. Preduzimanje mera opreza kako bi se sprečilo prekomerno povećanje temperature zamrznute hrane tokom odmrzavanja rashladnog uređaja, poput umotavanja zamrznute hrane u nekoliko slojeva novina.
5. Činjenica da porast temperature zamrznute hrane tokom ručnog odmrzavanja, održavanja ili čišćenja može skratiti vreme skladištenja.
6. Potreba da se, za vrata ili poklopce opremljene bravama i ključevima, ključevi čuvaju van domašaja dece i ne u blizini rashladnog uređaja kako bi se sprečilo zaključavanje dece unutar uređaja.

## Upozorenja za odlaganje



Rashladno sredstvo i ciklopentan koji se peni koji se koristi za frižider su zapaljivi. Stoga, kada se frižider ostruže, treba ga držati dalje od izvora vatre i \ biti vraćen od strane posebne kompanije za oporavak sa odgovarajućom kvalifikacijom osim da se odlaže sagorevanjem, kako bi se sprečila šteta po životnu sredinu ili bilo koja druga šteta.



Kada je frižider ostrugan, rastavite vrata i uklonite zaptivku vrata i polica; postavite vrata i police na odgovarajuće mesto, kako biste sprečili da se dete zaglavi.



Pravilno odlaganje ovog proizvoda:

Ova oznaka ukazuje da ovaj proizvod ne treba odlagati sa drugim kućnim otpadom širom EU. Da biste sprečili moguću štetu po životnu sredinu ili ljudsko zdravlje usled nekontrolisanog odlaganja otpada, reciklirajte ga odgovorno kako biste promovisali održivu ponovnu upotrebu materijalnih resursa. Da biste vratili korišćeni uređaj, koristite sisteme za vraćanje i prikupljanje ili kontaktirajte prodavca kod koga je proizvod kupljen. Oni mogu odneti ovaj proizvod za recikliranje bezbedno po životnu sredinu.

# PRAVILNA UPOTREBA FRIŽIDERA

## Postavljanje

- Pre upotrebe, uklonite sve pakirne materijale, uključujući jastučice na dnu, suđere i trake unutar frižidera; skinite zaštitnu foliju sa vrata i tela frižidera.
- Držite se podalje od toplote i izbegavajte direktnu sunčevu svetlost. Ne smeštajte zamrzivač na vlažna ili mesta koja su sklonjena vodi kako biste sprečili rđanje ili smanjenje izolacionog efekta.
- Ne prskajte ili ne perite frižider; ne smeštajte frižider na mesta koja su sklonjena vodi kako biste izbegli uticaj na električna izolaciona svojstva frižidera.
- Frižider treba postaviti na dobro provetreno mesto u zatvorenom prostoru; pod treba biti ravan i čvrst (rotirajte levo ili desno kako biste podesili točkice za nivelisanje ako je nestabilno).
- Prostor iznad frižidera treba biti veći od 30 cm, a frižider treba postaviti uz zid sa slobodnom udaljenošću većom od 10 cm kako bi se olakšala disipacija toplote.

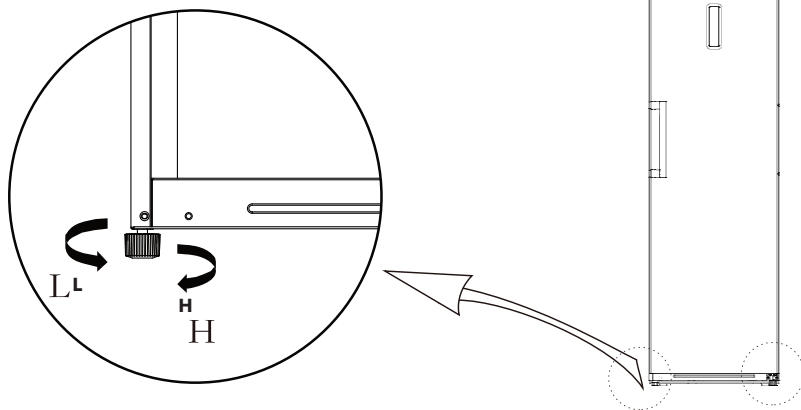
## Nivelisanje nožica

### 1. Mere predostrožnosti pre operacije:

Pre puštanja u rad dodatne opreme, potrebno je osigurati da je frižider isključen iz struje.

Pre podešavanja stopala za nivelisanje, potrebno je preduzeti mere predostrožnosti da sprečite bilo kakve povrede.

### 2. Šematski dijagram nivelacionih stopa



Slika iznad je samo za referencu. Stvarna konfiguracija zavisice od fizičkog proizvoda ili izjave distributera.

### 3. Procedure podešavanja:

- Okrenite noge u smeru kazaljke na satu da podignete frižider;
- Okrenite noge u smeru suprotnom od kazaljke na satu da biste spustili frižider;
- Podesite desnu i levu nogu na osnovu gornjih procedura na horizontalni nivo.

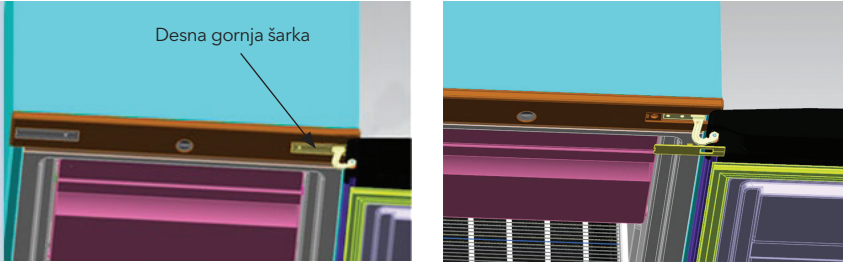


# INSTALACIJA

## Promena smeru otvaranja vrata

Potrebni alati: odvijač tipa Phillips / ravni odvijač / heksagonalni ključ / heksagonalni ključić

1. Uklonite poklopac desne gornje šarke.

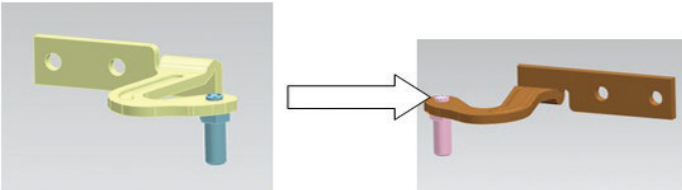


2. Uklonite šrafove koji drže gornju šarku pomoću odvijača s ravnim šrafciгерom.

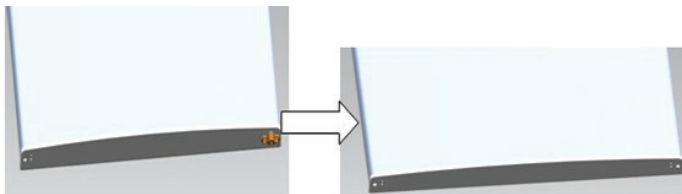


3. Zamenite gornju šarku, blok ograničavača vrata i ležaj vrata s druge strane.

A. Skinite maticu s rukavom. Skinite prsten, zatim premeštajte osovinu na drugu stranu i fiksirajte je.



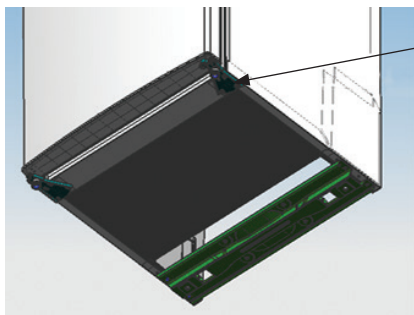
- B. Uklonite blok ograničenja vrata.



C. Molim vas, izvadite još jedan blok ograničavača vrata, sa vijkom koji se montira na vrata.



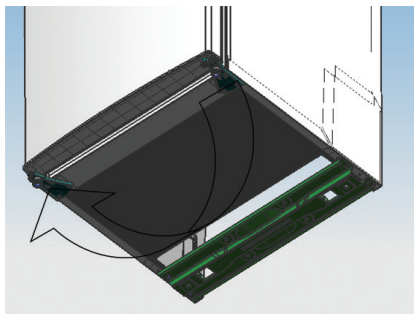
4. Rastavite vijke koji su fiksirali donju šarku sa heksagonalnim ključem.



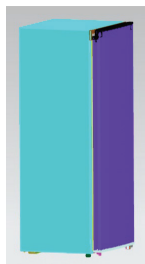
šrafovi koji fiksiraju  
donju šarku

Nagib frižidera-zamrzivača manji od 45°.

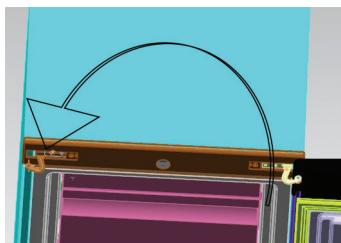
5. Zamenite donju šarku na drugu stranu, zatim  
Učvrstite je šrafovim



6. Postavite vrata na pravilan položaj i fiksirajte  
srednju šarku.



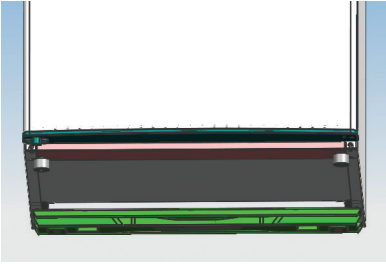
7. Zamenite gornju šarku.



8. Postavite gornja vrata u ispravan položaj,  
fiksirajte gornju šarku i poklopac.



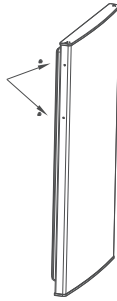
9. Zamenite nivelator na drugu stranu i podesite ga kako biste osigurali ravnotežu ormara.



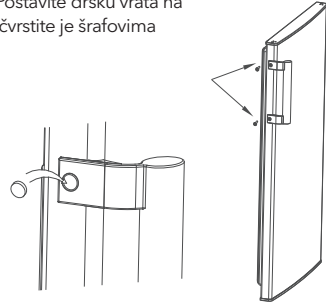
## Postavljanje osvetljenja ručke vrata (opciono)

Napomena: Brojevi u korisničkom priručniku su samo za referencu. Stvarni proizvod može se malo razlikovati. Frižider mora biti isključen iz izvora električne energije pre nego što se pokuša instalacija dodatka.

Korak 1: Izvadite dva čepa iz vrata (strane vrata koja se otvara)



Korak 2: Postavite dršku vrata na vrata i pričvrstite je šrafovim

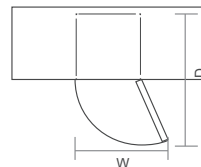


Korak 3: Pokrijte poklopce šrafova drške u šuplje rupe.



## Neophodan prostor za vrata

Vrata jedinice moraju se moći potpuno otvoriti kako je prikazano. ŠxD ≥ 902 × 1052 mm

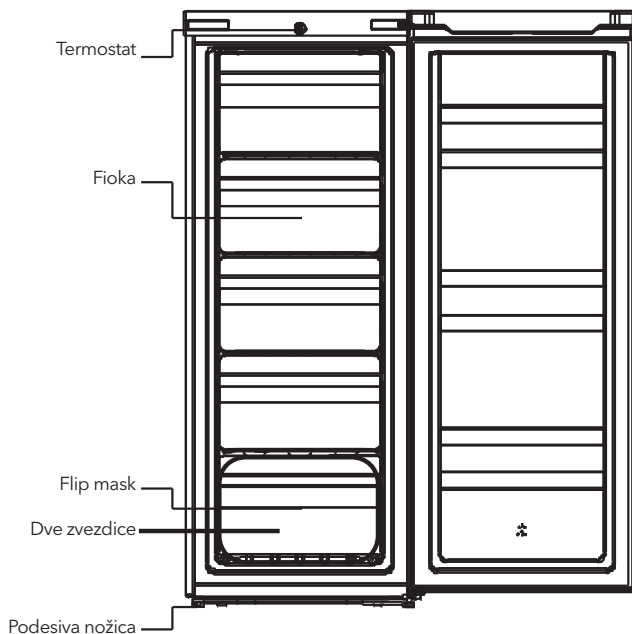


## Saveti za uštedu energije

- Aparat treba da bude smešten u najhladnijem delu prostorije, dalje od uređaja koji proizvode toplotu ili grejnih kanala, i van direktne sunčeve svetlosti.
- Pustite da se vruća hrana ohladi na sobnu temperaturu pre nego što stavite u uređaj. Preopterećenje uređaja prisiljava kompresor da radi duže. Hrana koja se previše sporo zamrzava može izgubiti kvalitet ili se pokvariti.
- Uverite se da ste pravilno umotali hranu i osušite posude pre nego što ih stavite u uređaj. Ovo smanjuje nakupljanje mraza unutar uređaja.
- Kanta za odlaganje uređaja ne bi trebalo da bude obložena aluminijumskom folijom, voštanim papirom ili papirnim ubrusom. Obloge ometaju cirkulaciju hladnog vazduha, čineći uređaj manje efikasnim.
- Organizujte i označite hranu da biste smanjili otvaranje vrata i produžene pretrage. Uklonite onoliko predmeta koliko je potrebno odjednom i zatvorite vrata što je pre moguće.

## STRUKTURA I FUNKCIJE

### Glavne komponente



Slika iznad je samo za referencu. Stvarna konfiguracija zavisiće od fizičkog proizvoda ili izjave distributera.

Pregrade za zamrznutu hranu sa ❄️❄️ dve zvezdice su pogodne za skladištenje prethodno zamrznute hrane, skladištenje ili pravljenje sladoleda i pravljenje kockica leda, nisu pogodne za zamrzavanje sveže hrane.

### Frizider

- Rashladna komora je pogodna za skladištenje raznovrsnog voća, povrća, pića i druge hrane koja se konzumira u kratkom roku.
- Hrana koja se kuva ne sme da se stavlja u rashladnu komoru dok se ne ohladi na sobnu temperaturu.
- Preporučuje se da se namirnice zatvore pre nego što ih stavite u frizider.
- Staklene police se mogu podesiti nagore ili nadole za odgovarajući prostor za skladištenje i jednostavnu upotrebu.

### Zamrzivač

- Komora za zamrzavanje na niskim temperaturama može da zadrži hranu svežom dugo vremena i uglavnom se koristi za skladištenje smrznute hrane i pravljenje leda.
- Komora za zamrzavanje je pogodna za skladištenje mesa, ribe, kuglica od pirinča i drugih namirnica koje se ne konzumiraju u kratkom roku.
- Komade mesa poželjno je podeliti na male komade radi lakšeg pristupa. Imajte na umu da hranu treba konzumirati u roku od kojeg je potrebno.

- Napomena: Skladištenje previše hrane tokom rada nakon prvog priključenja na struju može negativno uticati na efekat zamrzavanja frizidera. Skladištena hrana ne sme da blokira izlaz vazduha; ili će u suprotnom takođe negativno uticati na efekat zamrzavanja.

## OPERACIJA RADA

### Uključivanje vaše jedinice

- Dugme za izbor temperature nalazi se na sredini gornje grede.  
Podešavanje „Min“: Manje hladne temperature
- Podešavanje „Mid“: Normalan rad (adekvatno za većinu situacija)
- Podešavanje „Mak“: Najhladnija temperatura
- Tokom visokih temperatura okoline, npr. u vrelim letnjim danima. Možda će biti potrebno podesiti termostat na najhladnije postavku (položaj "Mak"). Ovo može dovesti do neprekidnog rada kompresora kako bi se održala niska temperatura u ormaru.
- Prvi put kada instalirate frizider, postavite dugme termostata na „Srednju sredinu“.

Dajte svom frizideru vremena da se potpuno ohladi pre nego što dodate hranu. Najbolje je sačekati 24 sata pre dodavanja hrane. Dugme termostata kontroliše temperaturu.

### Buka unutar jedinice!

Možda ćete primetiti da vaša jedinica proizvodi neobične zvukove. Većina njih je sasvim normalna, ali treba ih biti svestan!

Ove buke su uzrokovane cirkulacijom rashladne tečnosti u sistemu za hlađenje. Postalo je izraženo od uvođenja gasova bez CFC-a. Ovo nije greška i neće uticati na performanse vaše jedinice. Ovo je motor kompresora koji radi, jer pumpa rashladno sredstvo oko sistema.

### Saveti za držanje hrane u jedinici

- Čuvajte sirovo meso/ribu u posudi koja je dovoljno velika da sakupi sokove i da je dobro pokrije. Stavite posudu na najnižu fioku.
- Ostavite prostor oko hrane kako biste omogućili da vazduh cirkuliše unutar jedinice. Uverite se da su svi delovi jedinice hladni.
- Da biste sprečili prenošenje usluga i isušivanje, hranu pakujte ili pokrivajte odvojeno.
- Uvek pustite da se prethodno kuvana hrana ohladi pre nego što stavite u jedinicu. Ovo će pomoći da se održi unutrašnja temperatura jedinice.
- Da biste sprečili izlazak hladnog vazduha iz jedinice, pokušajte da ograničite broj otvaranja vrata. Preporučujemo da vrata otvarate samo kada treba da stavite ili izvadite hranu.

# ODRŽAVANJE I NEGA UREĐAJA

## Sveukupno čišćenje

- Prašina iza frižidera i na tlu će se blagovremeno čistiti kako bi se poboljšao efekat hlađenja i ušteda energije.
- Redovno proveravajte zaptivku vrata da biste bili sigurni da nema ostataka. Očistite zaptivku vrata mekom krpom navlaženom vodom sa sapunom ili razblaženim deterdžentom.
- Unutrašnjost frižidera treba redovno čistiti kako bi se izbegli mirisi.
- Isključite struju pre čišćenja unutrašnjosti, uklonite svu hranu, piće, police, fioke itd.
- Unutrašnjost frižidera očistite mekom krpom ili sunderom, sa dve kašike sode bikarbone i litrom tople vode. Zatim isperite vodom i obrišite. Nakon čišćenja, otvorite vrata i pustite da se prirodno osuše pre nego što uključite napajanje.
- Za područja koja se teško čiste u frižideru (kao što su uski sendviči, praznine ili uglovi), preporučuje se redovno brisanje mekom krpom, mekom četkom i sl., a kada je potrebno, u kombinaciji sa nekim pomoćnim alatima (npr. kao tanki štapići) kako bi se osiguralo da u ovim oblastima nema akumulacije zagađivača ili bakterija.
- Nemojte koristiti sapun, deterdžent, prašak za ribanje, sredstvo za čišćenje u spreju itd., jer oni mogu izazvati mirise u unutrašnjosti frižidera ili kontaminiranu hranu.
- Okvir flaše, police i fioke očistite mekom krpom navlaženom vodom sa sapunom ili razblaženim deterdžentom. Osušite mekom krpom ili osušite prirodnim putem.
- Obrišite spoljnu površinu frižidera mekom krpom navlaženom vodom sa sapunom, deterdžentom itd., a zatim obrišite suvom.
- Nemojte koristiti čvrste četke, čiste čelične kuglice, žičane četke, abrazivna sredstva (kao što su paste za zube), organske rastvarače (kao što su alkohol, aceton, ulje banane, itd.), ključalu vodu, kiselinu ili alkalne predmete, koji mogu oštetiti frižider površinu i unutrašnjost. Kipuća voda i organski rastvarači kao što je benzol mogu deformisati ili oštetiti plastične delove.
- Nemojte ispirati direktno vodom ili drugim tečnostima tokom čišćenja da biste izbegli kratke spojeve ili uticali na električnu izolaciju nakon potapanja.



Molim isključite frižider iz struje radi odmrzavanja i čišćenja.

## Odmrzavanje

1. Isključite zamrzivač.
2. Izvadite hranu iz zamrzivača i stavite je kako biste sprečili topljenje hrane.
3. Očistite odvodnu cev (da biste koristili meke materijale kako biste sprečili oštećenje obloge), pripremite posude za vodu za odmrzavanje. (obratite pažnju da očistite posudu za ispuštanje vode u odeljku kompresora, izbegavajući prelivanje na tlo).
4. Možete koristiti prirodnu temperaturu za prirodno odmrzavanje, takođe možete koristiti lopatu za led da eliminišete mraz (da koristite plastičnu ili drvenu lopatu za led, da biste izbegli oštećenje košuljice ili cevi)
5. Takođe možete koristiti odgovarajuću količinu tople vode da biste ubrzali odmrzavanje, sa suvim peškirom da osušite vodu nakon odmrzavanja.
6. Nakon odmrzavanja, vratite hranu u ormaric i uključite zamrzivač.

## Van rada

- Nestanak struje: U slučaju nestanka struje, čak i tokom leta, namirnice u uređaju mogu da se drže nekoliko sati; tokom nestanka struje, vreme otvaranja vrata će se smanjiti i više se ne sme stavljati sveža hrana u uređaj.
- Dugotrajno nekorišćenje: Aparat se mora isključiti iz struje, a zatim očistiti; onda se vrata ostavljaju otvorena kako bi se sprečio miris.
- Premeštanje: Pre premeštanja frižidera, izvadite sve predmete naopačke, fiksirajte staklene pregrade, držač povrća, fioke komore za zamrzavanje itd. trakom i zategnite nožice za nivelisanje; zatvorite vrata i popravite ih trakom. Tokom pomeranja, uređaj ne sme da bude položen naopako ili horizontalno, niti da bude vibriran; nagib tokom kretanja ne sme biti veći od 45°.



Uređaj će neprekidno raditi nakon što bude pokrenut. Generalno, rad uređaja ne bi trebalo prekidati; inače, to može narušiti životni vek uređaja.

## REŠAVANJE PROBLEMA

Možete pokušati sami da rešite sledeće jednostavne probleme. Ako ih ne možete rešiti, obratite se službi za postprodaju.

|                                      |  |
|--------------------------------------|--|
| Neuspela operacija                   | Proverite da li je uređaj priključen na struju ili je utikač dobro u kontaktu<br>Proverite da li je napon pre nizak  |
| Miris                                | Hrana sa mirisom mora biti dobro umotana.<br>Proverite da li ima pokvarenih namirnica. Očistite unutrašnjost frižidera   |
| Dugotrajran rad kompresora           | Dug rad frižidera je normalan leti kada je temperatura okoline visoka<br>Nije preporučljivo imati previše hrane u uređaju u isto vreme Hrana će se ohladiti pre nego što se stavi u uređaj<br>Vrata se prečesto otvaraju                             |
| Ne pali se svetlo                    | Proverite da li je frižider priključen na napajanje i da li je osvetljeno svetlo oštećeno.<br>Neka vam svetlo zameni specijalista  |
| Vrata se ne mogu otvoriti            | Vrata su zaglavljena paketima hrane. Frižider je nagnut  |
| Glasan zvuk                          | Proverite da li je pod ravan i da li je frižider stabilno postavljen Proverite da li su dodaci postavljeni na odgovarajuća mesta   |
| Zaptivka na vratima nije pričvršćena | Uklonite strane materije sa zaptivke vrata<br>Zagrejte zaptivku vrata, a zatim je ohladite za restauraciju.  |
| Posuda za vodu se preliva            | U komori je previše hrane ili hrana sadrži previše vode, što dovodi do jakog odmrzavanja<br>Vrata nisu dobro zatvorena, što dovodi do smrzavanja usled ulaska vazduha i povećane količine vode usled odmrzavanja                                     |
| Toplo stanovanje                     | Odvođenje toplote ugrađenog kondenzatora preko kućišta, što je normalno.<br>Kada se kućište zagreje zbog visoke temperature okoline i skladištenja previše hrane, preporučuje se obezbediti zvučnu ventilaciju kako bi se olakšalo rasipanje toplote |
| Površinska kondenzacija              | Kondenzacija na spoljašnjoj površini i zaptivkama na vratima frižidera je normalna kada je vlažnost okoline previsoka. Samo obrišite kondenzat čistim peškirom.  |
| Abnormalna buka                      | Zujanje: Kompresor može proizvesti zujanje tokom rada, a zujanje: je glasno posebno pri pokretanju ili zaustavljanju. To je normalno.<br>Škripanje: Rashladno sredstvo koje teče unutar uređaja može izazvati škripu, što je normalno.               |

TESLA

[tesla.info](https://tesla.info)

