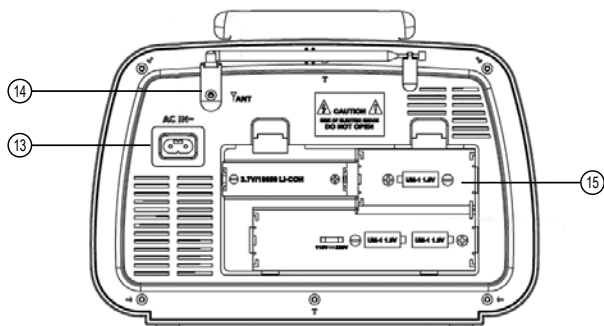
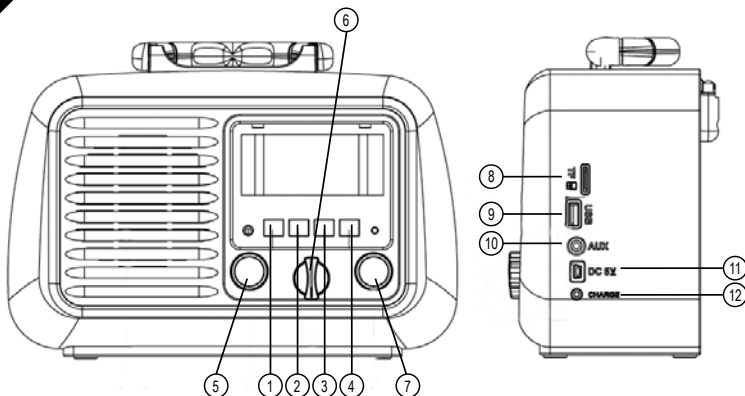


**használati utasítás
návod na použitie
manual de utilizare
uputstvo za upotrebu
navodilo za uporabo
návod k použití**





FM band	87.5-108.0 MHz
AM band	530-1600 kHz
SW band	5.9-18.0 MHz
File system	MP3 - FAT32, max. 32 GB
BT version	2.1 + EDR / 10 m max.
BT profiles	2.1 / A2DP, V1.2, AVRCP, V1.4 / 10 m A2DP, V1.2, AVRCP, V1.4
Power output	3 W
Speakers	75 mm / 4 Ohm
S/N	≥ 58 dB
THD	< 4%
Frequency range	100 - 20,000 Hz
Inputs	FM-AM-SW/BT/USB/microSD/AUX
Battery	3 x D / LR20 (1.5 V)
Built in Battery	4,75 V, 1200 mAh, sealed lead
Operation time	~18...20 h built in Batt.
Charging time	~10...12 h built in Batt.
Ext adaptor	5 V --- miniUSB
Power for charge	230 V ~ / 50 Hz / 3...6 Wmax.
Ta	0 °C ... +35 °C
Dimensions / Weight	260 x 180 x 120 mm / 1,3 kg

Nr.	EN	HU	SK	RO	SRB-MNE	SLO	CZ	HR-BIH
1.	play / pause	lejátszás / szünet	prehrávanie / pauza	redare/pauză	reprodukcija/pauza	predvajanje/pauza	přehrávání / pauza	Play/pauza
2.	scroll backward	léptetés vissza	krokovanie dozadu	derulare înapoi	korak napred	korak naprej	vyhledávání zpět	Brzo unatrag
3.	scroll forward	léptetés előre	krokovanie dopredu	derulare inainte	korak nazad	korak nazaj	vyhledávání dopředu	Brzo naprijed
4.	MODE BT / USB / microSD / AUX	BT / USB / microSD / AUX	BT / USB / microSD / AUX	BT / USB / microSD / AUX	BT / USB / microSD / AUX	BT / USB / microSD / AUX	BT / USB / microSD / AUX	BT / USB / microSD / AUX
5.	VOLUME on/off and volume control	be/ki és hangerő-szabályozó	za- / vypnúť a regulátor hlasitosti	buton pomiti/oprit și volum	uklj./isklj. i, jačina zvuka	vklj./izklj. in jakost zvoka	ON/OFF a regulace hlasitosti	uključivanje / isključivanje i kontrolu glasnoće
6.	BAND MP3-FM-AM-SW	MP3-FM-AM-SW	MP3-FM-AM-SW	schimbare benzii AM-FM-SW	odabir MP3 / AM-FM-SW	izbira MP3 / AM-FM-SW	středání pásma MP3-FM-AM-SW	MP3-FM-AM-SW način rada
7.	TUNING radio station search	rádióállomás kereső	ladenie	căutare posturi radio	biranje stanice	izbiranje radio postaje	vyhledávání rozhlasových stanic	Pretraga
8.	TF TF/microSD card socket	TF/microSD kártya foglalat	slot pre TF/microSD kartu	slot card TF/microSD	TF/microSD ležište za karticu	TF/microSD ležišče za kartico	slot pro TF/microSD kartu	Slot TF / microSD kartica
9.	USB USB socket	USB aljzat	USB zásuvka	Mufa USB	USB utičnica	USB vtičnica	USB konektor	USB utičnica
10.	AUX IN ∅3,5 mm input	∅3,5mm bemenet	∅3,5 mm vstup	mufa jack 3,5 mm	audio ulaz ∅3,5mm	avdio vhod ∅3,5mm	vstup ∅3,5mm	∅3,5 mm ulaz
11.	DC 5V IN 5 V --- external power supply option	5 V --- külső tápforrás opció	5 V --- externă napăjanie, opcia	mufa alimentare (încărcător extern) 5 V ---	5 V --- opcionalo spoljno napajanje	5 V --- Mogočo zunanji izvor napajanja	5 V --- externí zdroj napájení, opce	5 V --- eksterno napajanje (opcionarno)
12.	CHARGE charging indicator LED	töltés jelző LED	LED kontrolka nabijanja	LED semnalizare încărcare	LED indikator punjenja	LED indikator polnjenja	LED indikace nabíjení	Indikator punjenja
13.	AC IN 230 V ~/50 Hz socket for charging	230V~/50Hz aljzat töltéshez	230 V ~ / 50 Hz zásuvka pre nabívanie	mufa 230V~/50Hz numai pentru încărcare	utičnica 230V~/50Hz za punjenje	vtičnica 230V~/50Hz za polnjenje	konektor na nabíjení 230V~/50Hz	230 V~/50 Hz utičnica za punjenje
14.	ANTENNA telescopic antenna	teleszkópos antenna	teleskopická anténa	anténă telescopică	teleskopska antena	teleskopska antena	teleskopická anténa	Teleskopska antena
15.	BATTERY battery compartment cover	elemtartó fedele	kryt puzdra na batérie	capac compartiment baterii	poklopac baterije	pokrov baterij	víko schránky na baterie	Poklopac baterije

retro portable radio

Before using the product for the first time, please read the instructions for use below and retain them for later reference. The original instructions were written in Hungarian language. This appliance may only be used by persons with impaired physical, sensory or mental capabilities, or lacking in experience or knowledge, as well as children from the age of 8, if they are under supervision or have been given instruction concerning use and they have understood the hazards associated with use. Children should not be allowed to play with the unit. Children may only clean or perform user maintenance on the appliance under supervision. After unpacking the product, make sure it has not been damaged during transport. Keep children away from the packaging material, if it contains polybag or other hazardous components.

● **4in1: BT + MP3 + AUX + RADIO** ● **Wireless BT connection** ● **Music playing from mobile device, computer** ● **Controls the mobile phone's music player** ● **MP3 playing from USB/microSD device** ● **3-band AM-FM-SW radio** ● **Wired audio input (AUX IN)** ● **Extremely long service life; up to 20 hours with one charge** ● **Expected charging time / operation time: ~10 / 20 hours** ● **Continuous operation from the mains or from accumulator** ● **The operation time can be multiplied by inserting an additional accumulator (18650) and batteries (LR20)** ● **Versatile power supply: accessory power cable for charging, built-in accumulator, 3 x D/LR20 (1,5 V) batteries (not included), insertable 18650 type accumulator (not included), external 5 V --- miniUSB adapter (option)**

INSTALLATION, POWER SUPPLY, CHARGING

The device has five different power supply options. Can be used from the built-in accumulator – after it is charged. The accumulator must be charged before the first use. Connect the supplied power cord to the radio (AC IN socket on the back), then connect to the mains and leave the radio off. When charging, the red LED is lighting on the right side. Complete the charging by removing the mains cable if the red LED goes out or after 12 hours at the latest. In case of completely discharged accumulator, the charging time is approximately 10-12 hours. This provides approx. 18-20 hours operation on the internal accumulator at medium volume. It also depends on the set volume, the selected mode and the ambient temperature. The test was done by radio listening at room temperature. It also can be charged while in use, but it increases the charging time. If it is exhausted, charge it from the mains.

You can operate the built-in accumulator besides from the mains from 3 x D (LR20/1,5 V) batteries, or from the separately available - placed to the separate compartment next to the battery holder - 18650 type accumulator or from the separately available 5 V --- adapter connected to the miniUSB socket (11). Extremely long accumulator time can be achieved with on charge if all available options are used and we insert next to the built-in accumulator simultaneously 3 x LR20 batteries and an 18650 accumulator.

- *Later do not charge it longer than 12 hours, even in case of total depletion! After the given time, unplug the wire from the electrical network and from the device as well! Exception, if you are listening to device during charging!*
- *Even when it is out of use, it is recommended to recharge the accumulator in 1-2 months to reach a longer lifetime. If it depletes during use, recharge it immediately!*
- *Insert the 3 x D batteries into the battery holder according to the polarity indicated there. If you use it from batteries, they are not charging neither from the charging cable, neither by using the external 5 Volt power supply. It is not recommended to use same (D) size accumulators instead of the batteries. In case of battery mode, do not connect the power cable to the device!*
- *The 3 x D batteries can charge the factory built-in (and optional 18650) accumulator without connecting the power cable.*
- *The operation time can be extended by purchasing and inserting an additional accumulator (18650 type) to the compartment designed for it.*
- *Decreasing volume or distorted sound indicates the depletion of the batteries or the accumulator. Charge up the accumulator, immediately remove the depleted batteries!*
- *Simultaneously do not use together differently manufactured or different-condition batteries. Battery replacement can only be done by an adult!*
- *If there is some liquid flown out from the battery, take a protective glove and clean the battery holder with a dry cloth! It is forbidden to open, throw into fire or short circuit the batteries! The non-rechargeable batteries must not be charged! Risk of explosion! Do not put batteries instead of accumulators because their voltage and efficiency are significantly smaller!*
- *Charging may occasionally cause noise in the speaker. When the unit is turned off, the automatic battery. The unit functions as an automatic accumulator charger in switched-off state. Therefore, remove the cable after charging is complete!*
- *For complete power off, switch it off with the VOLUME control and unplug it from the mains!*
- *Keep the accumulator in charged state even when it is not in use for extended life.*
- *The used accumulator-type is a closed, lead-acid type. It requires no maintenance. AT the end of its lifetime, it can be replaced by a specialist after removing the rear panel. The cover is secured with screws.*

SELECTING FUNCTIONS

Switch on the unit and the desired volume with **VOLUME (5)** rotary knob and select the desired function with the **BAND (6)** selector and the **MODE (4)** push button. In the **BAND** switch's **MP3** position switch on the multimedia player. After this by pressing **MODE** you can scroll between the following modes:

wireless BT mode - USB playback - microSD playback - AUX mode

In the **BAND (6)** selector's additional positions you can select radio wave bands: FM-AM-SW.

- *When you select the current multimedia function, you can hear English announcement.*
- *Loose operation of the BAND switch does not affect its function.*

USING THE RADIO

Select the desired waveband with the **BAND (6)** switch. In case of FM and SW band, carefully unplug the antenna and set it according to the best reception. Tune the desired radio station with the **TUNING (7)** rotary switch.

- *While listening to AM band, the built in antenna will work. Do not pull out the antenna, but turn the whole product to the best position of reception.*
- *Reception ability of the radio significantly depends on the place of use and the actual reception conditions.*
- *Handle the antenna carefully, so as not to break it!*
- *Electric devices located nearby may disturb the reception!*

AUX AUDIO INPUT

If you have a device that has a 3,5 mm audio output or headphone connector, then you can listen to it through the speakers of this radio. Connect the **AUX IN (10)** input with the other device's audio output. Set the **BAND (6)** rotary switch to MP3 position. Then press the **MODE (4)** button, until the **AUX** function is selected and you will not hear the sound of the external equipment.

- *The available audio quality depends on the quality of the audio signal provided by the external device.*
- *Adjusting the external device's volume- and tone-control greatly influences the sound.*

MP3 PLAYING (from USB/microSD device)

Select the MP3 function with the **BAND (6)** rotary switch. Insert carefully the USB or microSD device containing the MP3 songs and playback starts automatically. With the play-pause ►► (1.) and scrolling ◀◀ (2), (3.) buttons you can select the desired track. If you have a USB and a microSD storage device connected at the same time, then you can change between them with the **MODE (4)** button.

- *Do not remove the memory card or USB device during operation, since it may cause damage of data!*
- *The recommended file system for memory is FAT32. Do not use a NTFS formatted memory unit!*
- *After inserting the memory unit, playing will start from the first track. If you have been listening to it previously, then the playing will go on from the last selected track, even if the device had been switched off or the memory device had been removed.*
- *Abnormal operation may be caused by the unique features of the mass storage device, which does not indicate a malfunction of the device!*
- *In addition to playable files, do not store other types of files on the memory card, because it may slow down playback.*

USING THE WIRELESS BT CONNECTION

The device can be paired with other devices that communicate with BT protocol, within a range of up to 10 meters. After that, music, which is played on mobile phone, tablet, notebook and other similar devices can be listened to on hands-free way. Remove the USB or microSD storage, if there is one inserted. Place your mobile phone or other similar BT device near the radio. Select the MP3 option with the **BAND (6)** rotary knob. If there is no USB/microSD storage inserted in it, then the BT mode activates automatically. The fast flashing of the LED next to the **MODE (4)** button indicates BT ready-for-pairing state. According to the way written in instructions of the device to be paired, search for the BT devices nearby, including this one. Connect together the two devices. After successful pairing, the flashing LED lights continuously, and a short beep sounds. You can listen to the desired program on

the speaker after this. The tracks can be scrolled and playback can be paused with the radio's control buttons. (▶ || ◀▶▶)

- A radio can be paired with one BT device at the same time.
- The volume and sound quality depends greatly on your mobile phone settings. An installed equalizer application allows you to set the desired custom sound.
- In the case of a pairing problem, turn off and back the radio and the BT function on your external device and try again.
- The available range depends on the other device and ambient conditions.
- When you receive a call, receive it on your phone and after ending it, continue to listen to music.

CLEANING

Before cleaning, power off the device by unplugging the connection plug! Use a dry, soft cloth to clean the plastic housing. Do not use any aggressive cleaners! Avoid getting water inside and on the connectors of the unit!

TROUBLESHOOTING

In case of detecting any malfunction, switch off and power off the device by unplugging it from the electric outlet! Try to switch on again later. If the problem still persists, see the following list. This guide will help you to identify the error, if the device is connected as prescribed. If necessary, contact a professional!

- The device doesn't work.

- The radio is turned off.
- Check the setting of the VOLUME, the BAND and the MODE switches.
- The power cable is not connected properly.
- Check the correct plugging of the connection cable to the device and the power socket.
- The accumulator is depleted.
- Connect the built-in accumulator to electrical network and charge it.
- **Playback does not work from the desired source.**
- The BT or MP3 data storage is not connected properly.
- Check the connection of the mobile device and the radio.
- Check the content and operability of the data storage with a computer.
- Check the presence of power supply.

WARNINGS

- Please read the instruction manual carefully before use, and keep it to have it available in the future! • After use (charging), turn off the device and unplug it from the electrical network!
- Do not cover the device, when locating it, ensure free flow of air! Covering the unit may cause overheating, risk of fire and electric shock! • Due to compressed files, applied compression program and USB/microSD memory quality, improper operation may occur, which is not the shortage of the device. • Playing of supported files is not granted in all case, since it can be affected by software and hardware conditions which are independent from the manu-

facturer. Playing of copyrighted DRM files is not granted! • There may be differences between the different audio files, due to their different parameters. • Manufacturer is not reliable for the lost or damaged data, etc., even if it happened while using this product. It is recommended to make a backup file to your personal computer about the data, tracks, etc., stored on the connected memory device. • Do not connect a mobile phone to the USB socket for charging purposes! • It is not recommended using USB / SD memory cards larger than 32 GB because your handling may slow down or get stuck. It only stores playable files on external memory, the presence of foreign data / files can slow down the operation or cause confusion. • In order to protect the audio system from the external noise, lead the audio cables far from the power cables! • Immediately turn off the unit if there are any defects, and contact a professional! Many disorders (no sound, unpleasant smell, foreign objects in the product, etc.) can be easily detected. • It is forbidden to touch it inside through the openings with hand or with a tool, or placing any kind of foreign objects inside it! • Due to the presence of the mains voltage comply with the usual rules to protect life! It is forbidden to touch the unit or the connection cable with wet hands! In case of any damage of the power cable, power off the unit immediately! • The appliance should be located so as to allow easy access and removal of the power plug! Lead the power cable so as to prevent it from being pulled out accidentally or tripped over! Do not lead the power cable under carpets, doormats etc.! • Speakers contain magnets, so do not place such objects near them which are sensitive to magnetic field (e.g.: credit card, cassette, compass ...). • The appliance may only be connected to 230 V ~/50 Hz, second touch protection class electric wall outlets! • Do not expose the device to splashing water and do not place objects, filled with liquids e.g.: glass on it! Open source of flame, like lit candle cannot be placed onto the unit! • Do not attempt to disassemble or modify the unit or its accessories, because it can cause fire, accident or electric shock! • Protect it from dust, humidity, liquids, heat, dampness, frost, shock and direct thermal radiation or sunshine! Use only indoor, in dry circumstances! • There is no warranty for the failures, resulting from improper installation or irresponsible use. • The built-in accumulator cannot be removed by the user. If your service life has expired, your device and accumulator will become hazardous waste. • Somogyi Elektronik Ltd. certifies, that this radio-equipment conforms to 2014/53/EU directive. Full text of EU Certification of Conformity is available at the following address: somogyi@somogyi.hu • Due to continuous improvements the design and specifications may change without any prior notice. • The actual instruction manual can be downloaded from www.somogyi.hu website. • We don't take the responsibility for printing errors and apologize if there's any



Caution: Risk of electric shock! Do not attempt to disassemble or modify the unit or its accessories. In case any part is damaged, immediately power off the unit and seek the assistance of a specialist.



In the event that the power cable should become damaged, it should only be replaced with cables obtained from the manufacturer or its service facility.



To prevent possible hearing damage, do not listen at high volume levels for long periods.



Waste equipment must be collected and disposed separately from household waste because it may contain components hazardous to the environment or health. Used or waste equipment may be dropped off free of charge at the point of sale, or at any distributor which sells equipment of identical nature and function. Dispose of product at a facility specializing in the collection of electronic waste. By doing so, you will protect the environment as well as the health of others and yourself. If you have any questions, contact the local waste management organization. We shall undertake the tasks pertinent to the manufacturer as prescribed in the relevant regulations and shall bear any associated costs arising.

DISPOSING OF ALKALINE AND RECHARGEABLE BATTERIES

Batteries, whether alkaline or rechargeable, must not be handled together with regular household waste. It is the legal obligation of the product's user to dispose of batteries at a nearby collection center or at a retail shop. This ensures that the batteries are ultimately neutralized in an environment-friendly way.



A termék használatba vétele előtt, kérjük, olvassa el az alábbi használati utasítást és őrizze is meg. Az eredeti leírás magyar nyelven készült. Ezt a készüléket azok a személyek, akik csökkent fizikai, érzékelési vagy szellemi képességekkel rendelkeznek, vagy akiknek a tapasztalata és a tudása hiányzik, továbbá gyermekek 8 éves kortól csak abban az esetben használhatják, ha az felügyelet mellett történik, vagy a készülék használatára vonatkozó útmutatást kapnak, és megértik a biztonságos használatból eredő veszélyeket. Gyermekek nem játszhatnak a készülékkel. Gyermekek kizárólag felügyelet mellett végezhetik a készülék tisztítását vagy felhasználási karbantartását. Kicsomagolás után győződjön meg róla, hogy a készülék nem sérült meg a szállítás során. Tartsa távol a gyermekeket a csomagolástól, ha az zacsoktól vagy más veszélyt jelentő összetevőt tartalmaz!

• 4in1: BT + MP3 + AUX + RÁDIÓ • Vezeték nélküli BT kapcsolatot • Zenehallgatás mobilkészülékről, számítógépről • Vezérlő a mobiltelefon zenelejátszóját • MP3 lejátszás USB/microSD eszközzel • 3 sávú AM-FM-SW rádió • Vezetékes audio bemenet (AUX IN) • Rendkívül hosszú üzemidő; akár 20 óra egy töltéssel • Várható töltési idő / üzemidő: ~10 / 20 óra • Folyamatos üzemeltetés hálózatról és akkumulátorról • Az üzemidő többszöröse növelhető további akkumulátor (18650) és elemek (LR20) behelyezésével • Sokoldalú tápellátás: tartozék hálózati kábel a töltéshez, beépített akkumulátor, 3xD/LR20 (1,5V) elem (nem tartozék), behelyezhető 18650 típusú akkumulátor (nem tartozék), külső 5V --- miniUSB adapter (opció)

ÜZEMBE HELYEZÉS, TÁPELLÁTÁS, TÖLTÉS

A készülék öt különböző tápellátási lehetőséggel rendelkezik. Beépített akkumulátoráról - annak feltöltése után - működtethető. Az akkumulátor az első használat előtt fel kell tölteni. Csatlakoztassa a vele együtt szállított hálózati csatlakozókábelt a rádióhoz (AC IN aljzat a hátoldalon), majd a hálózatra és hagyja kikapcsolva a rádiót. Töltés közben piros LED világot a jobb oldalon. Fejezze be a töltést a hálózati csatlakozókábelt eltávolításával, ha a piros LED kialszik vagy legkésőbb 12 óra elteltével. Teljesen lemerült akkumulátor esetén a töltési idő hozzávetőlegesen 10-12 óra. Ez kb. 18-20 óra működtetést biztosít a belső akkumulátorról, közepes hangon. Ez függ a beállított hangerőtől, a kiválasztott üzemmódtól és a környezeti hőmérséklettől is. A tesztet rádióhallgatással végeztük, szobahőmérsékleten. Használat közben is tölthető, azonban ez megnöveli a töltési időt. Kimerülése esetén tölts fel hálózatról. A beépített akkumulátor hálózatról történő töltése mellett működtetheti 3xD (LR20/1,5V) elemről, vagy az elemtartó mellett elkülönített akkumulátor rekeszbe helyezett - külön beszerzendő - 18650 típusú akkumulátorral vagy az oldalsó miniUSB aljzathoz (11.) csatlakoztatott - külön beszerzendő - 5 V --- adatterről. Rendkívül hosszú üzemidő érhető el egy töltéssel, ha minden rendelkezésre álló lehetőséget kihasználunk és a beépített akkumulátor mellett egyidejűleg behelyezzük a 3xLR20 elemet és a 18650 akkumulátort.

• A későbbiekben, teljes lemerülése esetén se töltsé 12 óránál tovább! A megadott idő elteltével húzza ki a hálózatról és a készülékből is a vezetékeket! Kívétel, ha közben hallgatja a készüléket.

• Használaton kívül is ajánlott 1-2 havonta feltölteni az akkumulátort a hosszabb élettartam elérése érdekében. Ha használat közben lemerül, azonnal töltsé fel!

• A 3xD elem helyezze az elemtartóba az ott jelölt polaritásának megfelelően. Ha elemről használja, akkor nem töltődnek sem a hálózati tápellátás, sem a külső 5 Voltos tápellátás alkalmazásával. Nem ajánlott az elemek helyett azonos (D) méretű akkumulátorokat alkalmazni. Elemes mód esetén ne csatlakoztassa a hálózati kábelt a készülékkel!

• A 3xD elem képes tölteni a gyárilag beépített (és opcionális 18650) akkumulátort hálózati kábel csatlakoztatása nélkül is.

• Az üzemidő meghosszabbítható további akkumulátor (18650 típus) beszerzésével és behelyezésével a számára kialakított rekeszbe.

• A csökkenő hangerő vagy torz, szaggatott hangzás az akkumulátor vagy az elemek kimerülésére utal. Az akkumulátor töltsé fel, a kimerült elemeket pedig azonnal távolítsa el!

• Ne használjon egyidejűleg különböző gyártmányú vagy állapotú elemeket! Az elemcserét csak felöltött végezheti el!

• Ha abból esetleg kifolyt a folyadék, akkor vegyen fel védőkesztyűt és száraz ruhával tisztítsa meg az elemtartót! Az elemeket tilos felnyitni, tűzbe dobni vagy rövidre zární! A nem töltött elemeket tilos tölteni! Robbanásveszély! Az elemek helyett ne tegyen bele akkumulátorokat, mert azok feszültsége és hatásfoka jelentősen kisebb!

• A töltés esetenként okozhat zajt a hangszóróban. A készülék kikapcsolt állapotban az automata akkumulátortöltési funkcióval. Ezért távolítsa el a kábelt a töltés befejezése után!

• A teljes aramalanításához kapcsolja ki a VOLUME szabályozóval és húzza ki a hálózatról!

• A hosszabb élettartam érdekében használaton kívül is tartsa feltöltött állapotban az akkumulátort!

• Az alkalmasított akkumulátor zárt, ólom-savas típus. Karbantartást nem igényel. Élettartama végén szakember által cserélhető, a hátsó panel eltávolítása után. A fedetelt csavarok rögzítik.

FUNKCIÓK KIVÁLASZTÁSA

Kapcsolja be a készüléket és állítsa be a kívánt hangerőt a VOLUME (5.) forgókapcsolóval és válassza ki a kívánt funkciót a BAND (6.) választóval és a MODE (4.) nyomógombbal. A BAND kapcsoló MP3 állásban a multimédia lejátszót kapcsolja be. Ezután a MODE nyomógátásával léphetet a következő módok között:

vezeték nélküli BT mód - USB lejátszás - microSD lejátszás - AUX mód

A BAND (6.) választó további pozícióiban rádió hullámsávokat választhat ki: FM-AM-SW.

- Az aktuális multimédia funkció kiválasztásakor angol nyelvű hangbemondás hallható.
- A BAND kapcsoló laza működése nem befolyásolja annak funkcióját.

A RÁDIÓ HASZNÁLATA

Válassza ki a kívánt hullámsávot a BAND (6.) kapcsolóval. FM és SW sáv esetén óvatosan húzza ki az antennát és állítsa be a legjobb vételnek megfelelően. Hangolja be a kívánt rádióállomást a TUNING (7.) forgatógombbal.

- AM sáv hallgatása esetén egy beépített antenna működik. Ne húzza ki az antennát, hanem a készüléket forgassa a legjobb vételi pozícióba.
- A rádió vételkészsége nagymértékben függ a használat helyétől, az aktuális vételi viszonyoktól.
- Óvatosan kezelje az antennát, hogy ne törje el!
- A közelben található elektromos berendezések zavarhatják a vételt.

AUX AUDIO BEMENET

Amennyiben van olyan készüléke, amelyet ellátnak audio kimenettel vagy fejhallgató csatlakozóval, akkor a rádió hangszóróján keresztül is hallgathatja. Kösse össze az AUX IN (10.) bemenetet másik készülékének audio kimenetével. Állítsa a BAND (6.) forgókapcsolót MP3 pozícióba. Ezután nyomogassa addig a MODE (4.) gombot, amíg az AUX funkciót ki nem választja és meg nem hallja a külső berendezés hangját.

- Az elérhető hangminőség függ a külső készülék által biztosított audio jel minőségétől.
- A külső készülék hangerő- és hangszin-szabályozójának beállítása nagyon befolyásolja a hangzást.

MP3 LEJÁTSZÁS (USB/microSD eszközzel)

Válassza ki a BAND (6.) forgókapcsolóval az MP3 funkciót. Helyezze be óvatosan az MP3 dalokat tartalmazó USB vagy microSD eszközt és a lejátszás automatikusan megkezdődik. A lejátszás-szünet ► || (1.) és léptetés ◀ (2.) (3.) gombokkal kiválaszthatja a kívánt műsorszámot. Ha egyidejűleg van csatlakoztatva USB és microSD adattároló, akkor a MODE (4.) gombbal válthat közöttük.

- Lejátszás közben ne távolítsa el a memóriakártyát vagy USB eszközt, mert az adatok sérülését okozhatja!
- A javaslott fájlrendszer: FAT32. Ne alkalmazzon NTFS formattálást memóriaegységet!
- A memória egység behelyezésekor az első daltól indul a lejátszás. Ha előzőleg már hallgatta, akkor az utoljára kiválasztott műsorszámot folytatódik a lejátszás akkor is, ha közben kikapcsolta a készüléket és eltávolította az eszközt.
- Rendellenes működést okozhatnak a háttérzáró egyedi jellemzői, ez nem utal a készülék meghibásodására!
- A lejátszható fájlokon kívül ne tároljon más típusú fájlokat a memóriakártyán, mert az lelassíthatja, akadályozhatja a lejátszást.

A VEZETÉK NÉLKÜLI BT KAPCSOLAT HASZNÁLATA

A készülék párosítható a BT protokoll szerint kommunikáló más készülékekkel, maximum 10 méter hatótávolságon belül. Ezt követően khangosítva hallgatható a mobiltelefonon, táblagépen, notebook és más hasonló eszközökön lejátszott zene. Távolítsa el az USB vagy microSD tárolót, ha van ilyen behelyezve. Helyezze a rádió közelébe a mobiltelefon vagy más hasonló BT eszközt. Válassza ki a BAND (6.) forgókapcsolóval az MP3 funkciót. Ha nincs behelyezve USB/microSD tároló, akkor automatikusan a BT mód aktiválódik. A MODE (4.) gomb mellett LED gyors villogása a BT párosításra kész állapotot jelzi. A párosítandó készülék használati utasításában szereplő módon keresse meg a közelben található BT eszközöket, köztük ezt a készüléket. Csatlakoztassa egymással a két eszközt. Sikeres párosítást követően az addig villogó LED folyamatosan világít és egy rövid hangjelzés szólal

meg. Ezután a hangszórón hallgatható a kívánt műsor. A rádió vezérlő gombjaival (▶ || ◀) léptethető a telefonon található műsorszámok és megállítható a lejátszás.

- Egy rádió egyidejűleg egy BT készülékkel párosítható.
- A hangerő és hangminőség nagyban függ a mobiltelefon beállításaitól. Egy telepített hangszabályozó alkalmazás lehetővé teheti a kívánt egyedi hangzás beállítását.
- Párosítási probléma esetén kapcsolja ki és vissza az MP3 módot, valamint a BT funkciót a külső készülékén és próbálkozzon újra!
- Az elérhető hatótávolság függ a másik készüléktől és a környezeti viszonyoktól.
- Hívás beérkezésekor fogadja azt a telefonon, majd annak befejezése után folytassa a zenehallgatást.

TISZTÍTÁS

Tisztítás előtt áramtalanítsa a készüléket a csatlakozódugó kihúzásával! Száraz, puha törlőkendővel tisztítsa meg a készülék műanyag burkolatát. Ne használjon agresszív tisztítószereket! Ne kerüljön folyadék a készülék belsejébe és a csatlakozókra!

HIBAELHÁRÍTÁS

Hiba észlelése esetén kapcsolja ki a készüléket és húzza ki a hálózatról! Később próbálja meg visszakapcsolni. Ha a probléma továbbra is fennáll, tekintse át a következő jegyzéket. Ez az útmutató segíthet a hiba behatárolásában, ha egyébként a készülék előírás szerint van csatlakoztatva. Szükség esetén forduljon szakemberhez!

- Nem működik a készülék

- A rádió nincs bekapcsolva.
- Ellenőrizze a VOLUME, a BAND és a MODE kapcsolók beállításait.
- A hálózati kábel nincs megfelelően csatlakoztatva.
- Ellenőrizze a csatlakozókábel korrekt bedugását a készülékbe és a hálózati aljzatba.
- Kimerült az akkumulátor.
- Csatlakoztassa a hálózatba és töltsse fel a beépített akkumulátort.

- Nem működik a lejátszás a kívánt lejátszóval

- A BT vagy az MP3 adattároló csatlakoztatása nem megfelelő
- Ellenőrizze a mobilkészülék és a rádió párosítását.
- Ellenőrizze az adattároló tartalmát és működőképességét egy számítógéppel.
- Ellenőrizze a tápellátás meglétét.

FIGYELMEZTETÉSEK

- Kérjük, a használatbavétel előtt olvassa el figyelmesen ezt az útmutatót és tegye el a későbbiekben is hozzáférhető helyre! • A használat (töltés) befejezése után kapcsolja ki és húzza ki a hálózatról a csatlakozódugót! • Ne takarja le a készüléket, elhelyezésénél biztosítsa a levegő szabad áramlását! Letakarása túlmelegedést, tűzveszélyt, áramütést okozhat! • A tömörített fájloktól, az alkalmazott tömörítőprogramtól és az USB/microSD memória minőségéből adódóan előfordulhat olyan téves működés, amely nem a készülék hiányossága.



Áramütésveszély! Tilos a készülék vagy tartozékainak szétszerelése, átalakítása! Bármely rész megsérülése esetén azonnal áramtalanítsa és forduljon szakemberhez.



Ha a hálózati csatlakozóvezeték megsérül, azt kizárólag az eredetivel megegyező típusúra szabad kicserélni!



Az esetleges halláskárosodás megelőzése érdekében ne hallgassa nagy hangerővel hosszabb időn keresztül!



A hulladékká vált berendezést elkülönítetten gyűjtse, ne dobja a háztartási hulladékba, mert az a környezetre vagy az emberi egészségre veszélyes összetevőket is tartalmazhat! A használt vagy hulladékká vált berendezés térítésmentesen átadható a forgalmazás helyén, illetve valamennyi forgalmazónál, amely a berendezéssel jellegében és funkciójában azonos berendezést értékesít. Elhelyezheti elektronikai hulladék átvételére szakosodott hulladékgyűjtő helyen is. Ezzel Ön védi a környezetet, embertársai és a saját egészségét. Kérdés esetén keresse a helyi hulladékkalételek szervezeteit. A vonatkozó jogszabályban előírt, a gyártóra vonatkozó feladatokat vállaljuk, az azokkal kapcsolatban felmerülő költségeket viseljük. Tájékoztatás a hulladékkalételezésről: www.somogyi.hu

AZ ELEMEK, AKKUK ÁRTALMATLANÍTÁSA

Az elemek / akkukat nem szabad a normál háztartási hulladékkal együtt kezelni. A felhasználó törvényi kötelezettsége, hogy a használt, lemerült elemeket / akkukat lakóhelye gyűjtőhelyén, vagy a kereskedelemben leadja. Így biztosítható, hogy az elemek / akkuk környezetkímélő módon legyenek ártalmatlanítva.

• A támogatott fájlok lejátszása sem garantált minden esetben, mert azt befolyásolhatja a gyártótól független szoftveres és hardveres körülmények. Nem garantált a szerzői jogvédett DRM fájlok lejátszása! • A különböző audio fájlok hangereje és hangminősége között különbség lehet azok eltérő paramétereiből adódóan. • Az elvesztett vagy megsérült adatokért stb. a gyártó nem vállal felelősséget, még akkor sem, ha az adatok stb. e termék használatára közben vesznek el. Előzőleg javasolt biztonsági másolatot készíteni a csatlakoztatott adathordozón található adatokról, műsorszámokról a személyi számítógépére. • Ne csatlakoztasson töltési célal mobilkészüléket az USB aljzathoz! • Nem ajánljuk 32GB-nál nagyobb USB memória alkalmazását, mert kezelése lelassulhat, akadozhat. Csak a lejátszható fájlokat tárolja a külső memórián, idegen adatok/fájlok jelenléte lelassíthatja a működést vagy zavart okozhat. • Az audio rendszer külső zajoktól történő megvédése érdekében az audio kábelkelet vezetése távol a hálózati kábelektől! • Azonnal kapcsolja ki a készüléket, ha bármilyen hibát észlel, és forduljon szakemberhez! Számos rendellenesség (nincs hang, kellemetlen szag, idegen tárgy a készülékben, stb.) könnyen észlelhető. • Tilos a nyílásokon át kézzel vagy eszközzel bele nyúlni vagy bármilyen idegen tárgyat bele helyezni! • A hálózati feszültség jelenléte miatt tartsa be a szokásos élettudományi szabályokat! Nedves kézzel tilos a készülék vagy a csatlakozókábel megérintése! A hálózati csatlakozókábel megsérülése esetén azonnal áramtalanítsa a készüléket! • A készüléket úgy helyezze el, hogy a csatlakozódugó könnyen hozzáférhető, kihúzható legyen! Úgy vezesse a csatlakozókábel, hogy az véletlenül ne húzódhasson ki, illetve ne botolhasson meg benne senki! Ne vezesse a csatlakozókábel szőnyeg, lábtöröl, stb. alatt! • A hangszűrők magnészeket tartalmaznak, ezért ne helyezze közelükbe az erre érzékeny termékeket (pl. hitelkártya, magnókazetta, iránytű...) • Csak 230V~/50Hz feszültségű, második érintésvédelmi osztályú csatlakozójelző szabad csatlakoztatható! • A készüléket ne érje fröccsenő víz, és ne tegyen folyadékkal töltött tárgyakat, pl. poharat a készülékre! Nyílt lángforrás, mint égő gyertya, nem helyezhető a készülékre! • Ne szedje szét, ne alakítsa át a készüléket, mert tüzet, balesetet vagy áramütést okozhat! • Óvja portól, párától, folyadéktól, hőtől, nedvességtől, fagytól és ütődéstől, valamint a közvetlen hő- vagy napugárzástól! Kizárólag száraz, beltéri körülmények között használható! • A nem rendeltetésszerű üzemből helyezés vagy szakszerűtlen kezelés a jótállás megszűnését vonja maga után. • A beépített akkumulátor a felhasználó által nem távolítható el. Szükséges a csavarozott hátlap leszerelése. Ha élettartama lejárt, a készülék és az akkumulátor veszélyes hulladékká válik. • A Somogyi Elektronik Kft. igazolja, hogy e rádió-berendezés megfelel a 2014/53/EU irányelvnek. Az EU Megfelelőségi Nyilatkozat elérhető a következő címen: www.somogyi.hu • A folyamatos továbbfejlesztések miatt műszaki adat és a dizájn előzetes bejelentés nélkül is változhat. • Az aktuális használati utasítás letölthető a www.somogyi.hu weboldalról. • Az esetleges nyomdahibákért felelősséget nem vállalunk, és elnézést kérünk.

retro rádioprijímač

Pred použitím výrobku si pozorne prečítajte tento návod na použitie a starostlivo si ho uschovajte. Tento návod je preklad originálneho návodu.

Osoby so zníženými fyzickými, zmyslovými alebo mentálnymi schopnosťami, alebo osoby bez znalostí a skúseností a deti nad 8 rokov môžu tento prístroj používať iba pod dohľadom, alebo ak boli poučení o spôsobe používania prístroja a porozumeli rizikám jeho bezpečného používania. Deti sa s prístrojom nesmú hrať.

Čistenie a používateľskú údržbu prístroja deti môžu vykonať výlučne pod dozorom. Po vybalení prístroja sa presvedčte, či nebol poškodený počas prepravy. Sáčky a iné nebezpečné časti obalového materiálu uchovajte mimo dosah detí!

• 4in1: BT + MP3 + AUX + RÁDIO • bezdrôtové BT spojenie • počúvanie hudby z mobilného telefónu, počítača • ovládanie prehrávača hudby mobilného telefónu • MP3 prehrávanie z USB/microSD • 3 pásmový AM-FM-SW rádio • káblový stereo audio vstup (AUX IN) • mimoriadne dlhý čas prevádzky; až 20 hodín s jedným nabitím • čas nabíjania / prevádzky: ~10 / 20 hod. • priebežná prevádzka z elektrickej siete a akumulátora • prevádzkový čas môžete zvýšiť pomocou ďalšieho akumulátora (18650) a batérií (LR20) • viacsúčasný napájanie: príslušenstvom je sieťový kábel pre nabíjanie, integrovaný akumulátor, 3 x D/LR20 (1,5 V) batéria (nie je príslušenstvom), možnosť vložiť akumulátor typu 18650 (nie je príslušenstvom), externý 5 V == miniUSB adaptér (opcia)

UVEDENIE DO PREVÁZDKY, NAPÁJANIE, NABÍJANIE

Prístroj má päť rôznych možností napájania. Používanie zo vstavaného akumulátora je možné po jeho nabití. Pred prvým použitím akumulátora treba nabiť. Priložený napájací kábel pripojte do zásuvky prijímača (AC IN zásuvka na zadnej strane), druhý koniec do sieťovej zásuvky a rádio nechajte vo vypnutom stave. Počas nabíjania na pravej strane svieti červená LED. Nabíjanie ukončíte odstránením sieťového napájacieho kábla, keď červená LED zhodne alebo najneskôr po 12 hodinovom nabíjaní. V prípade celkom vybitého akumulátora nabíjací čas je približne 10-12 hodín. Prevádzkový čas zo vstavaného akumulátora je cca. 18-20 hodín, v prípade strednej hlasitosti. Prevádzkový čas závisí od nastavenej hlasitosti, zvoleného režimu a okolitej teploty. Test bol vykonaný pri počúvaní rádia pri izbovej teplote. Prístroj môžete nabíjať aj počas prevádzky, ale tým sa predlžuje čas nabíjania. V prípade vybitia, nabíjajte z elektrickej siete.

Počas nabíjania integrovaného akumulátora rádio môžete prevádzkovať pomocou 3 x D (LR20 / 1,5 V) batérie alebo akumulátora typu 18650 – ktorý si môžete zaobstarat samostatne a vložiť do priehradky vedľa puzdra na batérie, alebo z 5 V == adaptéra pripojeného do miniUSB zásuvky (11) na bočnej strane, ktorý ale nie je príslušenstvom. Môžete dosiahnuť mimoriadne dlhý čas prevádzky s jedným nabitím, keď využijete všetky dostupné možnosti a vložíte do prístroja 3 x LR20 batérie, aj 18650 akumulátor.

• Neskôr prístroj nenabíjajte dlhšie ako 12 hodín ani pri úplne vybitom akumulátore! Po stanovenom čase odpojte napájací kábel zo siete aj z prístroja! Okrem prípadu, keď počúvate prístroj.

• Aj keď prístroj nepoužívate, odporúčame akumulátor nabiť aspoň raz za 1-2 mesiace v záujme dlhšej životnosti. Ak počas používania sa akumulátor vybitý, okamžite ho nabíjajte!

• 3 x D vložte do puzdra na batérie podľa vyznačenej polarít. Ak prístroj používate z batérií, tieto sa nenabíjajú ani z napájacieho kábla, ani z externého 5 V adaptéra. Neodporúčame sa namiesto batérií používať akumulátory rovnakej veľkosti (D). V prípade batériového režimu nepripojte sieťový kábel do prístroja!

• 3 x D batéria nabíja integrovaný akumulátor (a akumulátor 18650) aj bez pripojenia sieťového kábla.

• Prevádzkový čas môžete predĺžiť vložením ďalšieho akumulátora (typ 18650) do určenej priehradky.

• Znížená hlasitosť alebo skreslený zvuk znamená vybitie akumulátora alebo batérií. Akumulátor nabíjajte, batérie okamžite vyberte!

• Nepoužívajte súčasne batérie rôznych výrobcov ani rôzneho stavu vybitia! Výmenu batérií môže vykonať iba dospelá osoba!

• V prípade vytečenia batérií, očistite puzdro na batérie suchou utierkou – použite ochrannú rukavicu! Je zakázané batérie otvoriť, vhodiť do ohňa alebo skratovať! Nenabíjajte batérie je zakázané nabíjať! Nebezpečenstvo výbuchu! Batérie nenahradzujte akumulátormi, majú značne nižšie napätie aj účinnosť!

• Nabíjanie môže v určitých prípadoch spôsobiť hluk v reproduktorch. Vo vypnutom stave funguje automatické nabíjanie akumulátora. Preto po ukončení nabíjania odstráňte kábel!

• Pre úplné odpojenie od elektrickej energie vypnite pomocou spínača VOLUME a vyťahnite zo siete elektrický energiu!

• V záujme dlhšej životnosti akumulátor držte v nabitom stave aj keď ho nepoužívate!

• Používaný akumulátor je uzamčený, olvený kyselinový. Nevyžaduje si údržbu. Po ukončení jeho životnosti môže ho vymeniť odborník, po odstránení krytu na zadnej časti. Kryt je pripravený pomocou skrutiek.

VOLBA FUNKCIÍ

Zapnite rádio, nastavte požadovanú hlasitosť pomocou otočného spínača VOLUME (5) a vyberte funkciu pomocou tlačidla BAND (6) a MODE (4.). Spínač BAND v pozícii MP3 zapne multimediálny prehrávač. Potom stlačením MODE môžete krovať medzi nasledovnými funkciami:

bezdrôtový BT režim - USB prehrávanie - microSD prehrávanie - AUX režim

V ďalších pozíciách so spínačom BAND (6.) môžete vybrať rozhlasové pásma: FM-AM-SW.

- Pri výbere multimediálnej funkcie budete počuť zvukové hlásenie v anglickom jazyku.
- Uvoľnený spínač BAND neovplyvňuje fungovanie funkcií.

POUŽÍVANIE RÁDIA

Pozadované rozhlasové pásmo zvolte spínačom BAND (6). V prípade FM a SW pásmo opatrne vyťahnite anténu a nastavte do najlepšej pozície príjmu. Naladte rozhlasovú stanicu pomocou otočného spínača TUNING (7.).

- Pri prejím v pásme AM sa používa vstavaná anténa. V tom prípade teleskopickú anténu nevyťahujte, otočte rádio do polohy najlepšieho príjmu.
- Kvalita príjmu je značne závislá od miesta príjmu a príjmových podmienok.
- Anténou manipulujte opatrne, aby sa nezlomila!
- Elektrické zariadenia v blízkosti prijímača môžu rušiť príjem.

AUX AUDIO VSTUP

Zariadenie s audio výstupom alebo konektorom pre slúchadlá môžete pripojiť k tomu prístroju a počúvať skladby cez reproduktory. Audio výstup iného zariadenia pripojte k audio vstupu AUX IN (10.). Otočný spínač BAND (6.) nastavte do pozície MP3. Potom stlačte tlačidlo MODE (4.) dovtedy, kým nezvolíte funkciu AUX a počujete zvuk prístroja.

- Kvalita zvuku je závislá od kvality audio signálu externého zariadenia.
- Kvalita zvuku je ovplyvnená regulátorom hlasitosti externého zariadenia

PREHRÁVANIE MP3 SÚBOROV (z USB/microSD)

Pomocou tlačidla BAND (6.) vyberte režim MP3. Opatrne vložte pamäťové médium s MP3 skladbami a prehrávanie sa automaticky začne. Pomocou tlačidla prehrávanie-pauza ► II (1.) a krokovania ◀▶▶ (2.) (3.) môžete vybrať želanú skladbu. Keď je vložený súčasne USB aj microSD nosič, tak môžete vybrať jeden z nich pomocou tlačidla MODE (4.).

- Počas prehrávania nevyberajte pamäťové médium z prístroja, dáta by sa mohli poškodiť!
- Doporučený súborový systém: FAT32. Nepoužívajte pamäťové médium so súborovým systémom NTFS!

• Po vložení pamäťového média sa prehrávanie spustí od prvej skladby. Ak ste už v minulosti počúvali hudbu z daného pamäťového média, prehrávanie pokračuje od poslednej skladby, aj v prípade, keď medzi tým prístroj bol vypnutý a pamäťové médium odstránené a neskôr vrátené.

• Nezvyčajnú prevádzku môžu spôsobiť vlastné charakteristiky pamäťového média, nie je to chyba prístroja!

• Na pamäťové médium neukladajte iné typy súborov, ako podporované, môžu spomaliť alebo prekážať prehrávaniu.

POUŽÍVANIE BEZDRÔTOVÉHO BT SPOJENIA

Rádioprijímač sa dá spárovať s inými zariadeniami, používajúcimi BT komunikačný protokol, až do dosahu 10 metrov. Následne sa cez reproduktory rádioprijímača dá počúvať hudba prehrávaná z mobilného telefónu, tabletu, notebooku a iných podobných prístrojov. Odstráňte USB alebo microSD nosič, keď je vložený do prístroja. Mobilný telefón alebo iný BT prístroj umiestnite do blízkosti rádia. Pomocou otočného spínača BAND (6.) vyberte funkciu MP3. Keď nie je vložený USB/microSD nosič, tak režim BT sa automaticky aktivuje. Rýchle blikanie LED vedľa tlačidla MODE (4.) znamená, že prístroj je pripravený na párovanie. Podľa návodu spárovaného zariadenia si na ňom vyhľadajte BT zariadenia v jeho blízkosti. Ak ste našli aj tento prístroj, spárujte ich. Po úspešnom spárovaní sa doteraz blikajúca LED začne svieťiť priebežne a odznie zvukové hlásenie. Potom sa cez stereo reproduktory dá počúvať zvolený program. Ovládacími tlačidlami rádia (► II ◀▶▶) môžete krovať skladby na telefóne a zastaviť prehrávanie.

• Jedno rádio sa dá spárovať iba s jedným BT zariadením.

• Hlasitosť a kvalita zvuku značne závisí od nastavenia mobilného telefónu. Nainštalovaný softvérový equalizér umožňuje nastaviť požadovanú kvalitu zvuku.

• V prípade problémov pri spárovaní vypnite a zapnite režim MP3, aj funkciu BT na externom

zariadení a správanie skúste znovo!

- **Aktuálny dosah závisí od druhého zariadenia a okolitých podmienok.**
- **Pri prichádzajúcom hovore môžete prijať volanie na telefóne, potom pokračujte v počúvaní hudby.**

ČISTENIE

Pred čistením prístroja ho vždy odpojte od elektrickej siete vytiahnutím napájacieho kábla zo sieťovej zásuvky! Plasty kryt prístroja očistite suchou, mäkkou utierkou. Nepoužívajte agresívne čistiace prostriedky! Dbajte na to, aby voda nevnikla do prístroja ani na konektory.

RIEŠENIE PROBLÉMOV

V prípade zistenia poruchy, prístroj vypnite a odpojte od elektrickej siete! Neskôr ho skúste zapnúť znovu. Ak problém zotrváva, pozrite nasledovný zoznam riešení. Tento návod môže identifikovať chyby, ak je prístroj zapojený správne. Podľa potreby sa obráťte na odborníka!

- Prístroj nefunguje

- Prijímač nie je zapnutý.
- Skontrolujte polohu tlačidla VOLUME, BAND a MODE.
- Napájací kábel nie je správne pripojený.
- Skontrolujte správne zasunutie napájacieho kábla do prístroja a sieťovej zásuvky.

• Akumulátor je vybitý.

- Pripojte napájací kábel k elektrickej sieti a nabite integrovaný akumulátor.

- Prehrávanie nefunguje zo zvoleného zdroja signálu

- Nesprávne pripojenie BT alebo MP3 pamätového média
- Skontrolujte správanie rádia s mobilným zariadením.
- Skontrolujte obsah a funkčnosť pamätového média na počítači.
- Skontrolujte napájanie.

UPOZORNENIA

- Prosíme, pred uvedením do prevádzky prístroja si pozorne prečítajte tento návod na používanie a uschovajte ho na dostupnom mieste pre neskoršie použitie! • Po ukončení používania (nabíjania) prístroj vypnite a odpojte od elektrickej siete vytiahnutím napájacieho kábla zo zásuvky! • Prístroj nezakrývajte, umožnite jeho voľné vetranie! Zakrývanie prístroja môže spôsobiť jeho prehriatie, nebezpečenstvo požiaru alebo úrazu elektrickým prúdom! • Komprimované súbory, kompresné programy a rôzna kvalita USB/microSD pamätových médií môžu spôsobiť chybnú funkciu, ktorá nie je nedostatkom tohto prístroja. • Nie je v každom prípade zaručené prehrávanie ani podporovaných súborov, pretože môžu byť ovplyvnené od výrobcu nezávislými softvérovými a hardvérovými okolnosťami. Prehrávanie DRM súborov s ochranou autorského práva nie sú zaručené! • Môže byť rozdiel medzi hlasitosťou a kvalitou zvuku jednotlivých audio súborov z dôvodu ich rozdielnych parametrov.

- Výrobca nezodpovedá za stratu alebo poškodenie dát ani v prípade, ak k poškodeniu alebo strate dát došlo pri používaní tohto výrobku. Odporúča sa vyhotovenie záložnej kópie dát, skladieb. • Do USB zásuvky nepripojte mobilné zariadenie za účelom nabíjania!
- Neodporúčame používanie USB zdroja väčšieho ako 32 GB, jeho prehrávanie sa môže spomaliť, zasekávať. Dbajte na to, aby sa na externom zdroji nachádzali len súbory, ktoré sa môžu prehrávať, lebo v opačnom prípade prehrávanie sa môže spomaliť alebo prerušiť.
- V záujme ochrany audio systému pred vonkajším hlukom, audio káble treba viesť v istej vzdialenosti od sieťového vedenia! • V prípade zistenia akýchkoľvek poruchy, prístroj okamžite vypnite a obráťte sa na odborníka! Mnohé poruchy (zlydny zvuk, nepríjemný zápach, cudzí predmet v prístroji, atď.) sa dajú ľahko zistiť. • Do zadného otvoru prístroja nesiahajte rukou alebo iným nástrojom, resp. nevoľzte žiadny predmet! • Z dôvodu prítomnosti sieťového napätia vždy dodržiavajte predpisy pre ochranu pred úrazom elektrickým prúdom! Je zakázané sa dotýkať prístroja alebo jeho napájacieho kábla mokrou rukou! V prípade porušenia napájacieho kábla, prístroj okamžite odpojte od elektrickej siete! • Prístroj umiestnite tak, aby jeho napájací kábel bol ľahko prístupný a odpojitelný od elektrickej siete! Napájací kábel umiestnite tak, aby sa náhodou nevytiahol, alebo aby sa v ňom nikto nezakopol! Napájací kábel neukladajte pod koberec, rohožku, atď.! • Reprodukory obsahujú permanentný magnet, preto neukladajte do ich blízkosti predmety citlivé na magnetické pole (napr. banková karta, kazeta do magnetofónu, kompas...) • Prístroj je dovolené pripojiť iba do zásuvky druhej triedy ochrany s napätím 230 V- / 50 Hz! • Prístroj chráňte pred striekajúcou vodou a neukladajte na neho predmety s vodou, napr. pohár! Na prístroj je zakázané umiestniť predmety s otvoreným ohňom, ako je horiaca sviečka! • Prístroj nerozmontujte a neopravujte, môže spôsobiť požiar, úraz elektrickým prúdom! Prístroj chráňte pred prachom, parou, tekutinou, teplom, vlhkosťou, mrazom a nárazom, a priamym tepelným a silečným žiarením! Používajte ho iba v suchom vnútornom prostredí! • Záruka je vylúčená z poškodení, vzniknutých z nezodpovednej, neodbornej inštalácie a používania prístroja! • Vstavaný akumulátor možno vybrať po odstránení krytu batérií. Po jeho životnosti sa prístroj aj akumulátor stanú nebezpečným odpadom. • Somogyi Elektronik Slovensko s.r.o potvrdzuje, že rádioprijímač je v súlade so smernicou 2014/53/EU. Celý text vyhlásenia o zhode EU je dostupný na adrese: somogyislovensko@somogyi.sk • Z dôvodu neustáleho vývoja technické údaje a dizajn prístroja sa môžu meniť bez predošlého oznámenia. • Aktuálny návod na použitie si môžete stiahnuť z webovej stránky www.somogyi.sk. • Za prípadné tlačové chyby nezodpovedáme a ospravedlňujeme sa za ne.



Nebezpečenstvo úrazu prúdom! Rozoberať, prerábať prístroj alebo jeho súčasť je prísne zakázané! V prípade akéhokoľvek poškodenia prístroja alebo jeho súčasti okamžite ho odpojte od elektrickej siete a obráťte sa na odborný servis!



Ak sa poškodí pripojovací kábel, nahradte ho výlučne káblom, ktorý dodáva výrobca, alebo zaobstarajte kábel z jeho výhradného servisu!



Počúvanie zariadenia pri vysokej hlasitosti počas dlhšiu nepretrúšenú dobu môže viesť k trvalému poškodeniu sluchu!



Výrobok nevyhadzujte do bežného domového odpadu, separujte oddelene, lebo môže obsahovať súčiastky nebezpečné na životné prostredie alebo aj na ľudské zdravie! Za účelom správnej likvidácie výrobku odovzdajte ho na mieste predaja, kde bude prijatý zdarma, resp. v predajcu, ktorý predáva identický výrobok vzhľadom na jeho ráz a funkciu. Výrobok môžete odovzdať aj miestnej organizácii zaoberajúcej sa likvidáciou elektroodpadu. Tým chránite životné prostredie, ľudské a teda aj vlastné zdravie. Prípadné otázky Vám zodpovie Váš predajca alebo miestna organizácia zaoberajúca sa likvidáciou elektroodpadu.

ZNEHODNOCOVANIE BATÉRIÍ A AKUMULÁTOROV

Batérie / akumulátory nesmiete vyhodíť do komunálneho odpadu. Užívateľ je povinný odovzdať použité batérie / akumulátory do zberu pre elektrický odpad v mieste bydliska alebo v obchodoch. Touto činnosťou chránite životné prostredie, zdravie ľudí okolo Vás a Vaše zdravie.

Distribútor: **SOMOGYI ELEKTRONIK SLOVENSKO s.r.o.**

Gútsky rad 3, 945 01 Komárno, SK

Tel.: +421/0/ 35 7902400 • www.somogyi.sk

Krajina pôvodu: Čína



SOMOGYI ELEKTRONIK®

Înainte de punerea în funcțiune vă rugăm citiți cu atenție instrucțiunile de utilizare de mai jos și păstrați-le într-un loc accesibil. Descrierea originală a fost redactată în limba maghiară. Acest aparat nu este destinat utilizării de către persoane cu capacități fizice, senzoriale sau mentale diminuate, ori de către persoane care nu au experiență sau cunoștințe suficiente (inclusiv copiii); copiii peste 8 ani pot utiliza aparatul în cazul în care sunt supravegheați de către o persoană care răspunde de siguranța lor ori sunt informați cu privire la funcționarea aparatului în condiții de siguranță și au înțeles ce pericole pot rezulta din utilizarea necorespunzătoare. În cazul copiilor supravegherea este recomandabilă pentru a evita situațiile în care copiii se joacă cu aparatul. Curățarea sau utilizarea produsului de către copii este posibilă numai cu supravegherea unui adult. După scoaterea ambalajului convingeți-vă că aparatul nu s-a deteriorat în urma transportului. Nu lăsați ambalajul la îndemâna copiilor dacă acesta conține pungi sau alte elemente potențial periculoase.

• 4in1: BT + MP3 + AUX + RADIO • Conexiune BT fără fir • Ascultarea muzicii de pe telefon mobil, stereo, calculator • Comanda playerului de muzică al telefonului mobil • Redare MP3 de pe dispozitive USB/microSD • Radio cu 3 benzi AM-FM-SW • Intrare audio, stereo cu fir (AUX IN) • Durată de funcționare extrem de lungă; până la 20 ore cu o singură încărcare • Timp de încărcare preconizat / timp de funcționare: ~10 / 20 ore • Funcționare continuă de la rețea și acumulator • Durata de viață a bateriei se poate crește de mai multe ori prin introducerea de acumulator (18650) și baterii (LR20) • Alimentare versatilă: cablu de alimentare furnizat pentru încărcare, baterie înglobată, baterie 3x D / LR20 (1.5V) (nu este inclusă), baterie inserabilă 18650 (nu este inclusă), adaptor extern miniUSB 5V --- (opțional)

PUNEREA ÎN FUNCȚIUNE, ALIMENTAREA, ÎNCĂRCAREA

Aparatul oferă cinci moduri de alimentare. Se poate utiliza cu acumulatorul încorporat – după încărcarea acestuia. Înainte de prima utilizare acumulatorul trebuie încărcat. Conectați cablul de alimentare furnizat la radio (în mufa AC IN de pe spate), apoi conectați-l la rețea și lăsați radioul în stare oprită. În timpul încărcării, LED-ul roșu luminează în partea dreaptă. Completăți încărcarea prin scoaterea cablului de alimentare dacă LED-ul roșu se stinge sau cel lăzdu după 12 ore. Când acumulatorul este complet descărcat, timpul de încărcare este de aproximativ 10-12 ore. Aceasta asigură o funcționare de pe acumulatorul înglobat decca. 18-20 de ore, la volum mediu. De asemenea acest lucru depinde de setarea volumului, de modul selectat și de temperatura ambientală. Testul a fost efectuat prin ascultarea radioului la temperatura camerei. Poate fi încărcat în timpul utilizării, dar astfel crește timpul de încărcare. Dacă este epuizat, încărcați-l de la rețea. Pe lângă încărcarea de la rețea a acumulatorului înglobat, se poate acționa de pe baterie 3x D (LR20/1.5V), sau de pe acumulator tip 18650 – se poate achiziționa separat – care se introduce în compartimentul pentru acumulatori aflat lângă suportul de baterii sau de pe adaptorul de 5 V=! – poate fi achiziționat separat - care poate fi conectat la soclul lateral miniUSB (11.). Se poate crea o durată de viață extrem de lungă cu o singură încărcare, dacă profiți de toate opțiunile disponibile și instalați lângă acumulatorul înglobat și baterii 3xLR20.

- Nu încărcați mai mult de 12 ore chiar dacă este descărcat complet. După timpul specificat, deconectați cablul de alimentare din rețea și din dispozitivul. Excepție dacă ascultați radioul.
- Este recomandat să reîncărcați acumulatorul la 1-2 luni și atunci când nu este utilizat, pentru a asigura o durată de viață mai lungă. Dacă se descarcă în timpul utilizării trebuie încărcat imediat!
- Introduceți bateriile 3x D în compartimentul bateriei în funcție de polaritatea indicată acolo. Dacă utilizați cu baterii, bateriile nu se încarcă nici utilizând cablul de încărcare, nici sursa de alimentare externă de 5 volți. Nu este recomandat să utilizați în locul bateriilor acumulatori de aceeași dimensiune (D). Nu conectați cablul de alimentare la unitate în modul cu baterii!
- Bateria 3x D poate încărca bateria instalată din fabrică (și opțional 18650) fără a fi conectat un cablu de rețea.
- Durata de funcționare poate fi extinsă prin achiziționarea unei baterii suplimentare (de tip 18650) și prin introducerea acesteia în compartimentul conceput pentru aceasta.
- Volumul scăzut ori distorsionat indică descărcarea bateriilor ori al acumulatorului. Încărcați acumulatorul, iar bateriile trebuie schimbate imediat!
- Nu utilizați baterii de la producători și/sau cu o stare de încărcare diferită! Schimbarea bateriilor se efectuează doar de către un adult!
- În cazul în care acidul din baterii s-a scurs, folosind mănuși de protecție, ștergeți suportul de baterii cu o lavetă uscată! Este interzisă desfacerea, anunțarea în foc ori scurtcircuitarea bateriilor! Este interzisă încărcarea bateriilor care nu se pot încărca! Pericol de explozie! În locul bateriilor nu utilizați acumulatori, deoarece tensiunea și randamentul acestora este mai scăzută!
- Încărcarea poate cauza ocazional zgomot în difuzor. Când unitatea este oprită, încărcați automat va funcționa. Prin urmare, scoateți cablul după terminarea încărcării!
- Opriți alimentarea cu comutatorul VOLUM și deconectați-l de la sursa de alimentare pentru a deconecta complet alimentarea.
- Este recomandat să țineți încărcat acumulatorul și atunci când nu este utilizat, pentru a asigura o durată de viață mai lungă.
- Bateria utilizată este de tip închis, cu plumb-acid. Nu necesită întreținere. La sfârșitul duratei sale de viață, poate fi înlocuit de către un specialist, după scoaterea panoului din spate. Capacul este fixat cu șuruburi.

ALEGEREA FUNCȚIILOR

Porțiți aparatul și setați volumul dorit cu butonul rotativ VOLUME (5.) și selectați funcția dorită cu BAND (6.) și butonul MODE (4.). Comutatorul BAND în poziția MP3 cuplează playerul multimedia. Apoi prin apăsarea butonului MODE puteți să vă deplasați între următoarele moduri:

Mod BT fără fir – redare USB – redare microSD – mod AUX

Cu ajutorul BAND (6.) în pozițiile următoare puteți selecta benzi: FM-AM-SW.

- La selectarea funcției multimedia curente, se aude anunț vocal în limba engleză.
- Funcționarea lejeră a butonului BAND nu afectează funcționalitatea.

UTILIZAREA RADIOULUI

Selectați banda dorită cu butonul cuisant BAND (6.). În cazul benzilor FM și SW extrageți cu grijă antena și reglați-o pentru cea mai bună recepție. Reglați postul dorit cu ajutorul butonului rotativ TUNING (7.).

- În cazul benzii AM funcționează o antenă încorporată. Nu extrageți antena, ci mișcați aparatul pentru o recepție cât mai bună.
- Capacitatea de recepție a aparatului depinde în mare măsură de locul de utilizare și de condițiile actuale de recepție.
- Manevrați antena cu grijă pentru a preveni ruperea acesteia!
- Echipamentele electrice din apropiere pot deranja recepția.

INTRARE AUDIO AUX

În cazul în care aveți un dispozitiv care este dotat cu ieșire audio sau conector pentru căști, aveți posibilitatea să amplificați dispozitivul prin difuzorul aparatului radio. Conectați intrarea AUX IN (10.) cu ieșirea audio al celuialt dispozitiv. Reglați butonul BAND (6.) pe poziția MP3, apoi apăsați butonul MODE (4.), până selectați funcția AUX și auziți semnalul sonor al echipamentului extern.

- Calitatea sunetului depinde de calitatea semnalului audio furnizat de dispozitivul extern.
- Poziția potențiometrului și egalizatorului de ton al echipamentului extern influențează sonorul.

REDARE MP3 (de pe dispozitive USB/microSD)

Selectați cu comutatorul rotativ BAND (6.) funcția MP3. Introduceți cu precauție dispozitivul USB sau microSD, care conține piesele MP3 și redarea va începe automat. Cu butoanele redare-pauză ▶ || (1.) și pășire ◀ ▶▶ (2.) (3.) puteți selecta piesa dorită. Dacă sunt conectate deodată memorii USB și microSD atunci cu butonul MODE (4.) puteți selecta cea dorită.

- Nu îndepărtați cartela de memorie, dispozitivul USB în timpul redării pentru a evita eventuala deteriorare a datelor!
- Recomandăm utilizarea sistemului de fișiere: FAT32. Nu utilizați unități de memorie formate în sistem NTFS!
- La introducerea cartelei, redarea începe cu prima piesă. Dacă dispozitivul a utilizat cartela anterior, redarea va continua cu piesa selectată ultima dată chiar dacă între timp dispozitivul a fost oprit și cartela îndepărtată.
- Caracteristicile particulare ale dispozitivului de stocare pot cauza funcționare anomală, ceea ce nu echivalează cu defectarea dispozitivului!
- Caracteristicile particulare ale dispozitivului de stocare pot cauza funcționare anomală, ceea ce nu echivalează cu defectarea dispozitivului!
- Pe cardul de memorie nu stocați alte tipuri de fișiere, decât cele care se pot reda, deoarece încetinesc sau împiedică funcționarea.

UTILIZAREA FUNCȚIEI DE CONEXIUNE BT FĂRĂ FIR

Echipamentul se poate conecta cu alte dispozitive care comunică prin protocol de conexiune BT fără fir, pe o rază de maxim 10 metri. Astfel se poate auzi amplificat muzica redată de pe telefonul mobil, tabletă, notebook sau alte dispozitive. Scoateți memoria USB sau microSD, dacă este introdusă. Puneți telefonul mobil sau alt dispozitiv BT similar lângă radio. Selectați funcția MP3 cu butonul rotativ BAND (6.). Dacă nu este introdus dispozitiv de stocare USB/microSD, atunci se activează automat modul de funcționare BT. Clipirea rapidă a LED-ului lângă butonul MODE (4.) semnalizează starea de pregătire pentru asociere BT. Căutați

dispozitivele BT din apropiere, inclusiv acest aparat radio, urmând pașii din instrucțiunile de utilizare ale dispozitivelor care urmează să fie asociat. Conectați cele două dispozitive. După asociere cu succes LED-ul care până atunci clipea va lumina continuu și aparatul va emite un semnal sonor scurt. Piesa dorită poate fi ascultată la difuzoare. Cu butoanele de comandă ale radioului (▶ ◀ ⏪ ⏩) puteți pași între piesele afișate pe telefon și puteți opri redarea.

- Un radio poate fi asociat simultan cu un dispozitiv BT.
- Volumul și calitatea sunetului sunt influențate de setările audio ale telefonului mobil conectat. O aplicație de egalizator instalată vă permite să setați sunetul personalizat dorit.
- Dacă există o problemă de asociere, opriți și reporniți radioul și funcția BT de pe dispozitivul dvs. extern și încercați din nou!
- Raza de acțiune reală depinde de celălalt dispozitiv și de condițiile ambientale.
- La primirea unui apel recepționat pe telefon, iar la terminarea apelului continuați să ascultați muzică.

CURĂȚARE

Înainte de curățare scoateți aparatul de sub tensiunea de rețea prin extragerea fișei din priză! Folosind o lavetă moale, uscați curățati exteriorul din plastic al aparatului. Nu utilizați soluții agresive de curățare! Aveți grijă să nu pătrundă lichide în interiorul aparatului ori pe contacte!

DEPANARE

În cazul sesizării unei probleme opriți aparatul și scoateți-l de sub tensiunea de rețea! Încercați să reporniți aparatul mai târziu. Dacă eroarea persistă, vă rugăm parcurgeți cele de mai jos. Acest ghid vă poate ajuta în delimitarea erorii, în cazul în care aparatul este conectat corespunzător. În caz de nevoie adresați-vă unui specialist!

- Nu funcționează aparatul

- Aparatul nu este pornit.
- Verificați setările butoanelor VOLUME, BRAND și MODE.
- Cablul de rețea nu este conectat corect.
- Verificați ca conectarea cablului de alimentare în aparat și în priză de rețea să fie efectuată corect.
- Acumulatorul s-a descărcat.
- Conectați aparatul la rețea și încărcați acumulatorul înglobat.

- Nu funcționează redarea de pe surse externe

- Conectarea echipamentului BT ori a suportului de memorie MP3 nu este potrivită
- Verificați legătura dintre echipamentul mobil și radio.
- Verificați conținutul și operativitatea suportului de memorie cu ajutorul unui calculator.
- Verificați existența alimentării.

ATENȚIONĂRI

- Înainte de punerea în funcțiune citiți cu atenție instrucțiunile de utilizare și păstrați-le într-un loc accesibil!
- După terminarea utilizării (încărcării) opriți dispozitivul și trageți ștecherul din rețea!
- Nu acoperiți produsul și la așezare să asigurați fluxul liber al aerului! Acoperirea

poate cauza supraîncălzire, pericol de incendiu, electrocutare! • Din utilizarea unor programe de compactare a fișierelor și din calitatea surselor de memorie microSD/USB pot apărea unele erori de funcționare, care însă nu indică defecțiuni ale aparatului. • Nu se garantează redarea fișierelor recomandate în orice situație, pentru că redarea este influențată de diverse programe și componente, independente de fabricant. • Nu garantăm redarea fișierelor de tip DRM, protejate de drepturile de autor! • Volumul și calitatea unor fișiere audio poate fluctua, datorită unor parametri individuali diferiți. • Producătorul nu-și asumă răspunderea pentru datele pierdute sau deteriorate, etc., nici în cazul în care datele se pierd în timpul utilizării aparatului. • Recomandăm salvarea pe calculator a unei copii de siguranță a datelor, a pieselor de pe suportul de memorie conectat. • Nu conectați un dispozitiv mobil la un port USB în scopul încărcării. • Nu recomandăm utilizarea unei memorii USB mai mare de 32 GB, deoarece utilizarea poate fi încetinită, blocată. Pe memoria externă stocați numai fișiere care pot fi redade, prezenta datelor / fișierelor străine poate încetini funcționarea sau poate provoca confuzie. • Pentru a proteja sistemul audio de zgomotele externe, țineți cablurile audio departe de cablurile de alimentare! • Opriți aparatul de îndată ce observați o defecțiune și adresați-vă unui specialist! O serie de malfuncțiuni (lipsa sunetului, mirosurile neplăcute, fumul, prezenta obiectelor străine în aparat etc.) pot fi detectate cu ușurință. • Este interzis introducerea mâinii sau altor unelte sau introducerea obiectelor în orificiile din partea de spate al produsului! • Datorită prezenței tensiunii de rețea respectați regulile locale privind siguranța și protecția vieții! Este interzisă atingerea aparatului și a cablului de alimentare cu mâna umedă! În cazul deteriorării cablului de alimentare scoateți imediat produsul de sub tensiune! • Așezați aparatul în așa fel, încât fișa cablului de alimentare să poată fi accesat și îndepărtat cu ușurință din priză! Conduceți cablul de alimentare în așa fel, încât să nu poată fi extras din greșeală și nimeni să nu se împiedice de acesta! Nu conduceți cablul de conectare sub covor, preș etc.! • Difuzoarele conțin magneți, astfel nu așezați în apropierea lor obiecte sensibile la câmp electromagnetic (de ex. card bancar, casetă VCR, busolă...) • Poate fi conectat doar la o priză standard de perete cu tensiunea 230 V~ / 50 Hz! • Protejați aparatul de stropirea cu apă și nu așezați pe acesta obiecte umplute cu lichide, de ex. pahar cu apă! Nu așezați pe produs sursă de flacără deschisă, de ex. lumânare aprinsă! • Nu desfaceți și nu modificați aparatul, deoarece puteți cauza incendiu, accidentare sau electrocutare! • Protejați produsul de praf, aburi, lichide, căldură, umezeală, îngheț și lovitură, respectiv de radiațiile solare și termice directe! Poate fi utilizat doar în interior, în mediu uscat! • Utilizarea neconformă sau nepotrivită atrage anularea termenelor de garanție. • Acumulatorul încorporat se poate îndepărta după detașarea capacului suportului de baterii. La expirarea duratei de viață, produsul și acumulatorul devin deșeurile periculoase • Prin prezenta, Somogyi Elektronik SRL declară că tipul de echipamente radio RTT 4B este în conformitate cu Directiva 2014/53/UE. Textul integral al declarației UE de conformitate este disponibil la următoarea adresă internet: www.somogyi.hu • Datorită îmbunătățirii continue a produselor, unele date tehnice și de design pot fi modificate fără vreo notificare prealabilă. • Manualul de utilizare actual poate fi descărcat de pe pagina de web www.somogyi.ro. • Nu ne asumăm răspunderea pentru eventualele greșeli de tipar și ne cerem scuze în acest sens.



Pericol de electrocutare! Niciodată nu demontați, modificați aparatul sau componentele lui! În cazul deteriorării oricărei părți al aparatului întrerupeți imediat alimentarea aparatului și adresați-vă unui specialist!



Dacă se constată deteriorarea cablului de alimentare schimbarea lui poate fi efectuată numai cu cablu achiziționat de la fabricant sau un prestator de servicii al acestuia!



Pentru prevenirea eventualelor deficiențe de auz nu ascultați la volum ridicat pentru o lungă perioadă de timp!



Colectați în mod separat echipamentul devenit deșeu, nu-l aruncați în gunoii menajere, pentru că echipamentul poate conține și componente periculoase pentru mediu înconjurător sau pentru sănătatea omului! Echipamentul uzat sau devenit deșeu poate fi predat nerambursabil la locul de vânzare al acestuia sau la toți distribuitorii care au pus în circulație produse cu caracteristici și funcționalități similare. Poate fi de asemenea predat la punctele de colectare specializate în recuperarea deșeurilor electronice. Prin aceasta protejați mediul înconjurător, sănătatea Dumneavoastră și a semenilor. În cazul în care aveți întrebări, vă rugăm să luați legătura cu organizațiile locale de tratare a deșeurilor. Ne asumăm obligațiile prevederilor legale privind producătorii și suportăm cheltuielile legate de aceste obligații.

TRATAREA BATERIILOR, ACUMULATORILOR

Bateriile și acumulatorii nu pot fi tratați împreună cu deșeurile menajere. Utilizatorul are obligația legală de a preda bateriile / acumulatorii uzati sau epuizați la punctele de colectare sau în comerț. Acest lucru asigură faptul că bateriile / acumulatorii vor fi tratați în mod ecologic.

prenosni retro radio

Pre prve upotrebe radi bezbednog i tačnog rada pažljivo pročitajte i proučite ovo uputstvo. Sačuvajte uputstvo! Originalno uputstvo je pisano na mađarskom jeziku. Ovaj uređaj nije predviđen za upotrebu licima sa smanjenom mentalnom ili psihofizičkom mogućnošću, odnosno neiskusnim licima uključujući i decu koja su mlađa od 8 godina. Ova deca moraju biti upoznata sa radom i opasnostima ovog uređaja. Deca se ne smeju igrati sa ovim uređajem. Čišćenje i redovno održavanje deca smeju da vrše samo u prisustvu odrasle osobe. Nakon raspakivanja uređaja, uverite se da on nije oštećen prilikom transporta. Decu držite dalje od ambalaže ako ona sadrži opasne predmete za decu kao što su folije itd.!

• 4 in 1: BT + MP3 + AUX + RADIO • Bežična BT veza • Slušanje muzike sa mobilnog uređaja, računara • Kontrola muzičkog plejera telefona • MP3 plejer sa USB/microSD kartica • radio sa 3 talasne dužine AM-FM-SW • Žični audio ulaz (AUX IN) • Izuzetno dug rad sa jednim punjenjem; čak do 20 sati sa jednim punjenjem • Vreme punjenja / rad: ~10 / 20 sati • Konstantan rad sa strujne mreže i akumulatora • Rad se može dodatno produžiti dodavanjem akumulatora (18650) i baterijom (LR20) • Višestruka mogućnost napajanja: Strujni priključni kabel za punjenje ugrađenog akumulatora, 3xD/LR20 (1,5V) baterija (nije u sklopu), dodatni akumulator 18650 (nije u sklopu), miniUSB adapter 5V --- (opcija)

PUNŠTANJE U RAD, NAPAJANJE, PUNJENJE

Uređaj je moguće napajati na pet načina. Ugrađenim akumulatorom – nakon punjenja – uređaj je spreman za upotrebu. Pre prvog punjenja akumulator treba napuniti. Priloženi strujni kabel uključite u radio (AC IN) i nakon toga u strujnu mrežu, radio treba da je u isključenom položaju. Crvena indikatorska LED dioda svetli dok je punjenje u toku. Punjenje završite izvlačenjem strujnog kabela kada se LED dioda isključi ili najkasnije za 12 sati. Potpuno prazan akumulator treba puniti oko 10-12 sati. Ovo punjenje obezbeđuje rad oko 18-20 sati sa srednjom jačinom zvuka. Dužina rada zavisi od režima upotrebe, podešavanja i spoljne temperature. Testiranje smo radili na sobnoj temperaturi slušanjem radio prijemnika. I u toku punjenja je moguće koristiti uređaj ali se onda produžava vreme punjenja. Ako se akumulator isprazni, napunite ga sa mreže. Pored ugrađenog akumulatora radio se može napajati i baterijama 3xD (LR20/1,5V), ili dodatnim akumulatorom 18650 koji se postavlja u ležište pored poklopcu baterije. Takođe je napajanje moguće i USB adapterom 5 V --- preko mini-USB utičnice (11), koja se nalazi sa strane uređaja. Izuzetno dug rad može se postići ako se iskoriste sve mogućnosti i pored ugrađenog akumulatora u radio se postave i baterije 3xD/LR20 i akumulator 18650.

- *Prilikom dalje upotrebe, ako se akumulator potpuno isprazni, ni tada ga ne treba puniti duže od 12 sati! Nakon završetka punjenja izvadite mrežni kabel iz sture i iz uređaja. Punjenje je sporije ukoliko u isto vreme koristite uređaj.*
- *I van upotrebe, radi čuvanja akumulatora, akumulator treba držati napunjen. Akumulator napunite svakih mesec, dva dana. Ako se akumulator isprazni, odmah ga treba napuniti!*
- *3xD baterije postavite u držač baterije prema tamo naznačenom polaritetu. Ako uređaj koristite sa baterijama, ugrađeni akumulator se neće puniti ni sa spoljnim napajanjem 5 Volti. Nije preporučeno koristiti akumulatore umesto baterija. U slučaju upotreba baterija ne koristite strujni kabel za napajanje!*
- *I bez strujnog kabela baterije 3xD mogu da pune ugrađeni akumulator i dopunski (opcionali akumulator 18650)*
- *Duži rad se može postići postavljanjem dodatnog akumulatora tipa 18650.*
- *Stabiji ili izobličeni zvuk ukazuje na prazan akumulator ili baterije. Napunite ugrađeni akumulator a prazne baterije odmah izvadite iz uređaja!*
- *Istovremeno koristite samo baterije istog tipa, marke i stanja! Zamenu baterija sme da vrši samo odrasla osoba!*
- *Ako iz baterija slučajno izcuri kiselina, obucite zaštitne rukavice i svom krpom očistite ležište baterija! Baterije je zabranjeno rastavljati, bacati u vatru ili ih kratko spojati čak i kada su prazne! Nepunjive baterije je zabranjeno puniti! Opasnost od eksplozije! Umesto baterija ne koristite akumulatore pošto se njihov napon i karakteristike znatno razlikuju od baterija!*
- *Punjenje akumulatora u pojedinim slučajevima može da izazove brumove u zvučniku čak i u isključenom stanju uređaja. Nakon završetka punjenja izvadite napojni kabel!*
- *Za potpuno isključenje uređaj isključite ga VOLUME dugmetom i izvucite strujni kabel!*
- *Radi dužeg veka akumulatora, akumulator i van upotrebe držite napunjenim!*
- *Ugrađeni akumulator je olovni, kiselinski hermetički zatvoreni tip. Ne iziskuje nikakvo održavanje. Nakon isteka radnog veka ugrađeni akumulator može da zameni stručno lice. Zadnji poklopac je fiksiran šarafima.*

ODABIR FUNKCIJA

Uključite uređaj (5), VOLUME dugmetom i podesite željenu snagu zvuka. Prekiđačem **BAND** (6.) i **MODE** (4.) odaberite željenu funkciju. **BAND** prekiđačem se odabira MP3 funkcija. Nakon toga prekiđačem **MODE** dostupne su sledeće funkcije:
 Bežična BT veza - USB reprodukcija - microSD reprodukcija - AUX ulaz
 Prekiđačem **BAND** (6.) odabira se talasna dužina radio prijemnika: FM-AM-SW.
 • Odabir funkcije multimedija plejera prati engleska glasovna poruka.
 • Labavi **BAND** prekiđač ne utiče na njegovu funkciju.

UPOTREBA RADIO UREĐAJA

BAND (6.) prekiđačem odaberite željenu talasnu dužinu. U slučaju FM i SW pažljivo izvucite štapnu antenu i postavite je u najidealniji položaj. Potražite željenu radio stanicu sa **TUNING** (7.).
 • *Za vreme upotrebe AM talasne dužine u funkciji je jedna ugrađena antena i nije potrebno koristiti štapnu antenu. Okretanjem dioda uređaja pronađite optimalni položaj za najbolji prijem signala.*
 • *Prijem radio signala u mnogome zavisi od mesta upotrebe i od uslova prijema.*
 • *Sa antenom rukuje pažljivo da je ne biste slomili!*
 • *Električni uređaji u blizini mogu da smetaju prijema signala.*

AUX AUDIO ULAZ

Ako imate uređaj koji ima audio izlaz ili izlaz za slušalice moguće ga je žično povezati sa ovim uređajem i slušati ga. Povezivanje se radi preko **AUX IN** (10.) utičnice. Prekiđačem **BAND** (6.) postavite u MP3 poziciju nakon toga taster **MODE** (4.) pritiskajte dok ne odaberete AUX funkciju i ne čujete zvuk iz priključenog uređaja.
 • *Kvalitet zvuka zavisi od priključenog izvora signala i snimljenog materijala.*
 • *Podešena izlazna snaga priključenog uređaja znatno utiče na kvalitet zvuka.*

MP3 PLEJER (sa USB/microSD memorije)

Prekiđač **BAND** (6.) postavite u MP3 poziciju. Pažljivo postavite USB memoriju ili microSD karticu na kojoj se nalazi muzika i reprodukcija će automatski da se pokrene. Dostupne funkcije: ► II reprodukcija i pauza (1), I ►► odabir pesme (2) (3). Ukoliko su istovremeno postavljene memorije USB i microSD, odabir se radi tasterom **MODE** (4.).
 • *U toku rada ne odstranjujte memoriju, to može da ošteti memoriju ili podatak na njoj!*
 • *Preporučeni format kartice treba da je: FAT32. Ne koristite kartice sa NTFS formatom!*
 • *Prilikom postavljanja memorije reprodukcija uvek započinje od prve pesme. Ako ste već slušali muziku reprodukcija će da se nastavi od zadnje slušane pesme, čak i u slučaju da ste isključili uređaj i izvadili karticu.*
 • *Nepravilan rad može da izazove i neka specifična osobina memorije koja se koristi ali to još ne ukazuje na grešku uređaja!*
 • *Na memoriji ne izdvoje druge fajlove sem fajlova koje želite slušati, to može da usporava rad ili pravi smetnje pri reprodukciji.*

UPOTREBA BEŽIČNE BT FUNKCIJE

Uređaj se može upariti drugim uređajima koji podržavaju BT protokol, domet signala je maks.10 metara. Nakon uparenja dostupna će biti funkcija reprodukcije muzike sa mobilnog telefona, tableta itd. Izvadite USB ili microSD karticu iz uređaja ako su one postavljene. Mobilni BT uređaj postavite u blizinu radio uređaja. Prekiđač **BAND** (6.) postavite u MP3 poziciju. Ako nije postavljena USB/microSD memorija, automatski će se pokrenuti BT funkcija. Brzo treptanje LED diode pored **MODE** (4.) prekiđača označava pripravnost za uparenje sa drugim uređajem. Prema opisima u uputstvu mobilnog uređaja potražite dostupne BT uređaje među kojima će biti i ovaj uređaj. Uparite dva uređaja. U slučaju uspešnog uparenja LED dioda će konstantno da svetli i začuće se kratki zvučni signal. Nakon uparenja, muzika će se moći slušati preko zvučnika uređaja. Tasterima na radiju (► II ◀ ◀ ►) moguće je kontrolisati muzički plejer uparenog uređaja.
 • *Ovaj uređaj se istovremeno može upariti samo sa jednim mobilnim BT uređajem.*
 • *Jačina zvuka i kvalitet u mnogome zavise od podešavanja uparenog uređaja. Aplikacija za podešavanje boje tona može da pomogne u dostizanju željenog zvuka.*
 • *U slučaju problema sa uparenjem, isključite i ponovo uključite radio, odnosno isključite i uključite BT na spornjem uređaju!*
 • *Domet zavisi od uparenog uređaja i okolnosti upotrebe.*
 • *Dolazni telefonski poziv se može primiti telefonom nakon čega se može nastaviti slušanje muzike.*

ČIŠĆENJE

Pre čišćenja isključite uređaj i izvadite mrežni napojni kabel iz zida! Za čišćenje koristite suve krpe. Zabranjena upotreba agresivnih hemijskih sredstava! Obratite pažnju da ništa ne ucuri u uređaj!

OTKLANJANJE GREŠAKA

U slučaju da primetite neku grešku pri radu isključite uređaj, kasnije ga uključite i probajte da li sve radi kako treba. Ako problem i dalje postoji pratite sledeća uputstva. U slučaju da je uređaj pravilno povezan ova lista omogućava lociranje nastale greške. Prema potrebi obratite se stručnom licu!

- Uređaj ne radi

- Radio nije uključen.
- Proverite položaj VOLUME potencijometra, proverite položaj BAND i MODE prekidača.
- Priključni kabel nije pravilno uključen.
- Proverite da li je priključni kabel pravilno uključen u utičnicu.
- Akumulator se ispraznio.
- Uključite uređaj u mrežu, krenite sa punjenjem ugrađenog akumulatora.

- Ne radi reprodukcija sa željenog izvora signala

- Nije pravilno povezan BT ili memorija sa MP3 muzikom
- Proverite uparenje mobilnog uređaja sa ovim radio uređajem.
- Preko računara proverite da li memorija sadrži snimljen materijal i da li je ispravna.
- Proverite napajanje.

NAPOMENE

• Pre prve upotrebe radi bezbednog i tačnog rada pažljivo pročitajte i proučite ovo uputstvo. Sačuvajte uputstvo! • Nakon upotrebe (punjenja) isključite uređaj i izvucite priključni kabel iz zidne utičnice! • Ne prekrivajte uređaj, prilikom postavljanja treba obezbediti dovoljnu ventilaciju! Prekrivanje može da dovede do pregrevanja, požara i strujnog udara! • Kvalitet i rad bez greška u mnogome zavisi od SD/USB memorije, programima kojima su stvarani. Nepravilan rad nije obavezno greška uređaja. • U pojedinim slučajevima nije garantovan reprodukcija ni podržanih fajlova, na reprodukciju mogu da utiču nezavisni faktori na koje proizvođač nema uticaja. Nije garantovana reprodukcija autorski zaštićenih DRM fajlova! • Jačina zvuka audio fajlova može biti različita u zavisnosti od parametara i programa sa kojim su kreirani. • Za izgubljene ili oštećene podatke proizvođač ne odgovara, ni u tom

slučaju ako se gubitak ili oštećenje podataka desilo upotrebom ovog uređaja. Preporučuje se stvaranje sigurnosnih kopija na računaru. • USB utičnica nije predviđena za punjenje drugih uređaja! • Ne preporučuje se upotreba veće USB memorije od 32GB, veća memorija može znatno da uspori upotrebu. Na memoriji držite samo fajlove koji se mogu reprodukovati. • Radi sprečavanja spoljnih uticaja na zvuk, audio kablove sprovodite dalje od napojnih kablova! • Odmah isključite uređaj ako primetite neku nepravilnost pri radu, obratite se stručnom licu. Mnoge nepravilnosti se lako uočavaju (nema zvuka, neprijatan miris, dim, strani predmet u uređaju). • Zabranjeno je kroz otvore na uređaju gurati bilo kakav predmet ili gurati prste unutar uređaja! • Zbog prisustva napona opasno po život, držite se standardnih mera bezbednosti! Uređaj i priključni kabel nikada ne dodirujte mokrim ili vlažnim rukama! U slučaju oštećenja priključnog kabla odmah isključite uređaj! • Uređaj tako postavite da priključni kabel uvek bude lako dostupan i da ne smeta nogama. Priključni kabel ne sprovodite ispod tepiha, priključni kabel tako postavite da ne smeta prolazu, da se ne bi zakačili za nj! • Zvučnici sadrže magnetne, ne postavljajte ih blizu predmeta koji su osetljivi na magnetna polja (kreditne kartice, audio video kasete, kompas ...) • Uređaj se sme uključiti samo u standardne utičnice 230V~/50Hz sa drugim razredom zaštite! • Uređaj štiti od prskanja vode, i nemojte je postavljati u blizinu posuda sa tečnostima! Ne postavljajte ništa sa otvorenim plamenom u blizinu uređaja (sveća itd.)! • Zabranjeno rastavljati uređaj, zabranjena prepravka uređaja, opasnost od požara i strujnog udara! • Uređaj štiti od prašine, tečnosti, toplote, vlage, smrzavanja, udara i direktnog uticaja sunca! Upotrebljivo isključivo u suvim zatvorenim prostorijama! • Nepropisno rukovanje i nenamenska upotreba može da dovede do kvarova i gubljenja garancije. • Ugrađeni akumulator sme da menja samo stručno lice. Ako je radni vek akumulatora istekao mora se tretirati kao opasni elektronski otpad. • A Somogyi Elektronik Kft. potvrđuje da ovaj radio uređaj odgovara direktivi 2014/53/EU. Kompletnu deklaraciju u usaglasnosti možete potražiti na: somogyi@somogyi.hu • Iz razloga konstantnog razvoja i poboljšavanja kvaliteta promene u karakteristikama i dizajnu mogu se desiti i bez najave. • Aktuelno uputstvo za upotrebu možete naći na adresi www.somogyi.hu. • Za eventualne štamparske greške ne odgovaramo i unapred se izvinjavamo.



Opasnost od strujnog udara! Zabranjeno rastavljati uređaj i njegove delove prepravljati! U slučaju bilo kojeg kvara ili oštećenja, odmah isključite uređaj i obratite se stručnom licu!



Ukoliko se ošteti priključni kabel, oštećeni priključni kabel se može zameniti samo potpuno identičnim, nabavljenog od uvoznika ili njenog predstavnika!



Radi sprečavanja oštećenja sluha na slušajte duže vreme preglasnu muziku!



Uređaje kojima je istekao radni veka sakupljajte posebno, ne mešajte ih sa komunalnim otpadom, to oštećuje životnu sredinu i može da naruši zdravlje ljudi i životinjal! Ovakvi se uređaji mogu predati na reciklažu u prodavnicama gde ste ih kupili ili prodavnicama koje prodaju slične proizvode. Elektronski otpad se može predati i određenim reciklažnim centrima. Ovim štite okolinu, svoje zdravlje i zdravlje svojih sunarodnika. U slučaju nedoumice kontaktirajte vaše lokalne reciklažne centre.

Prema važećim propisima prihvatamo i snosimo svu odgovornost.

ODLAGANJE AKUMULATORA I BATERIJA

Istrošeni akumulatori i baterije ne smeju se tretirati sa ostalim otpadom iz domaćinstva. Korisnik treba da se stara o pravilnom bezbednom odlaganju istrošenih baterija i akumulatora. Ovakvo se može štiti okolina, obezbediti da se baterije i akumulatori budu na pravilan način reciklirani.

Uvoznik za SRB: ELEMENTA d.o.o.

Jovana Mikića 56, 24000 Subotica, Srbija

Tel: +381(0)24 686 270 • www.elementa.rs

Zemlja uvoza: Mađarska • Zemlja porekla: Kina

Proizvođač: Somogyi Elektronik Kft.



SOMOGYI ELEKTRONIC®

- Ta naprava se hkrati lahko poveže samo z eno mobilno BT napravo.
- Jakost zvoka in kvaliteta sta v mnogočem odvisna od nastavitve povezane naprave. Aplikacija za nastavitve barve tona, lahko pomaga pri doseganju želenega zvoka.
- V primeru problemov s povezovanjem, izklopite in ponovno vklopite radio, oziroma izklopite in vključite BT na zunanji napravi!
- Doseg je odvisen od povezane naprave in okoliščin uporabe.
- Dohodni telefonski klic se lahko sprejme s telefonom, po končanem klicu pa se lahko nadaljuje poslušanje glasbe.

ČIŠČENJE

Pred čiščenjem napravo izklopite in odstranite mrežni napetostni kabel iz stenske vtičnice! Za čiščenje uporabljajte mehke suhe krpe. Prepovedana uporaba agresivnih kemijskih sredstev! Bodite pozorni da nič ne priteče v napravo!

ODPRAVLJANJE NAPAK

V primeru da opazite kakšno napako pri delovanju izklopite napravo, čez nekaj časa napravo ponovno vključite in preizkusite ali vse deluje kot mora. Če problem še vedno ostaja preberite sledeča navodila. V primeru da je naprava pravilno povezana, ta seznam omogoča lociranje nastale napake. Po potrebi se obrnite na strokovno usposobljeno osebo!

- Naprava ne deluje

- Radio ni vključen.
- Preverite položaj VOLUME potenciometra, preverite položaj BAND in MODE stikala.
- Priključni kabel ni pravilno vključen.
- Preverite ali je priključni kabel pravilno vključen v vtičnico.
- Akumulator se je izpraznil.
- Vključite napravo v električno mrežo, pokrenite polnjenje z vgrajenega akumulatorja.

- Ne deluje predvajanje z želenega izvora signala

- Ni pravilno povezan BT ali spominska kartica z MP3 glasbo
- Preverite povezanost mobilne naprave s to radio napravo.
- Preko računalnika preverite ali spominska kartica vsebuje posneti material in ali je brezhibna.
- Preverite napajanje.

OPOMBE

- Pred prvo uporabo zaradi varnega in točnega delovanja pazljivo preberite in proučite to navodilo. Shranite ga za kasnejšo uporabo! • Po uporabi (polnjenju) napravo izklopite iz električnega omrežja in izvlecite kabel za napajanje! • Ne prekrivajte napravo, pri postavljanju pustite dovolj prostora za hlajenje-ventilacijo! Prekrivanje naprave lahko

privede do pregrevanja, požara in električnega udara! • Kvaliteta in delovanje brez napak je v mnogočem odvisna od SD/USB spominske kartice, programov s katerimi je ustvarjena. Nepravilno delovanje ni obvezno napaka naprave. • V posameznih primerih ni zagotovljeno predvajanje niti podprtih datotek, uspešno predvajanje je odvisno od zunanji faktorjev na katere pa proizvajalec naprave nima vpliva. Ni zagotovljeno predvajanje avtorsko zaščitenih DRM datotek! • Jakost zvoka avdio datotek je lahko različna, odvisna je od parametrov in programa s katerim so kreirane. • Za izgubljene ali poškodovane podatke proizvajalec ne odgovarja, niti v primeru če se je izguba ali poškodba podatkov zgodila z uporabo te naprave. Priporoča se ustvarjanje varnostnih kopij na računalniku. • USB vtičnica ni namenjena za polnjenje drugih naprav! • Ne priporoča se uporaba večje USB spominske kartice od 32GB, večja spominska kartica lahko znatno upočasni uporabo. Na spominski kartici shranite samo datoteke katere se lahko predvajajo. • Zaradi preprečevanja zunanjih vplivov na zvok, avdio kable speljite čim dalje od napetostnih kablov! • Takoj izklopite napravo če opazite kakšno nepravilnost pri delovanju, obrnite se na strokovno usposobljeno osebo. Mnoge nepravilnosti se lahko opazijo (ni zvoka, neprijeten vonj, dim, tuji predmet v napravi). • Prepovedano je skozi odprtine na zadnji strani naprave potiskati tuje predmete ali prste potiskati v odprtine! • Zaradi prisotnosti mrežne napetosti se pridržujte standardnih varnostnih meril! Z mokrimi ali vražnimi rokami se ne dotikajte naprave ali priključnega kabla! V primeru poškodbe priključnega kabla napravo takoj izklopite iz električnega omrežja! • Priključni kabel postavite tako, da ne moti prehoda, da se ne bi zataknil v vanj! Priključni kabel ne speljite pod tepihe, preproge in podobne predmete! • Zvočniki vsebujejo magnetne, ne postavljajte jih v bližino predmetov, kateri so občutljivi na magnetna polja (kreditne kartice, avdio video kase, kompas ...) • Napravo priključujte samo v omejenjene električne vtičnice 230V~50Hz z drugim razredom zaščite! • Napravo zaščitite pred prskajočo vodo, ne postavljajte je v bližino posod s tekočinami! V bližino naprave ne postavljajte ničesar z odprtim plamenom (sveče itd.!) • Prepovedano je razstavljanje napravo, prepovedano prenavljanje naprave, nevarnost pred požarom in električnim udarom! • Napravo zaščitite pred prahom, tekočinami, toploto, vlago, zmrzovanjem, udarci in direktnim vplivom sonca! Uporabno izključno v suhih zaprtih prostorih! • Nepredpisano rokovanje in nenamenska uporaba lahko privede do okvar naprave in izgube garancije. • Vgrajeni akumulator sme zamenjati samo strokovno usposobljena oseba. Če je delovna doba akumulatorja pretekla, se morata tretirati kot nevarni elektronski odpad. • Somogyi Electronic Kft. potrjuje da ta radio naprava ustreza direktivi 2014/53/EU. Celotno deklaracijo o soglasnosti lahko najdete na: somogyi@somogyi.hu • Zaradi konstantnega izpolnjevanja lastnosti in dizajna, so spremembe mogoče tudi brez predhodne najave. • Aktualno navodilo za uporabo lahko najdete na naslovu www.somogyi.hu. • Za morebitne tiskarske napake ne odgovarjamo in se vnaprej opravičujemo.



Nevarnost pred električnim udarom! Prepovedano je razstavljanje napravo in njegove dele popravljanje! V slučaju kakršne koli okvare ali poškodbe, takoj izklopite napravo in se obrnite na strokovno osebo!



V kolikor se poškoduje priključni kabel, poškodovani priključni kabel se lahko zamenja i samo s popolnoma identičnim , dobavljenega od uvoznika ali njegovega predstavnika!



Zaradi preprečevanja poškodbe sluha ne poslušajte dalj časa preglasno glasbo!



Napravam katerim je potekla življenjska doba zbirajte posebej, ne jih mešati z ostalimi gospodinjstvi odpadki .to onesnažuje življenjsko sredino in lahko vpliva in ogroža zdravje ljudi in živali ! Takšne naprave se lahko predajo za recikliranje v trgovinah kjer ste jih kupili ali trgovinah katere prodajajo podobne naprave . Elektronski odpadki se lahko predajo tudi v določenih reciklažnih . S tem ščitite okolje , vaše zdravje in zdravje vaših sonarodnjakov . V primeru dvoma a kontaktirajte vaše lokalne reciklažne centre . Po veljavnih predpisih se obvezujemo in nosimo vso odgovornost.

ODLAGANJE AKUMULATORJA IN BATERIJ

Iztrošeni akumulatorji in baterije se ne smejo zavržeti z ostalim odpadom iz gospodinjstva. Uporabnik mora poskrbeti za pravilno varno odlaganje iztrošenih baterij in akumulatorjev. Tako se lahko zaščiti okolje, poskrbi se da so baterije in akumulatorji na pravilen način reciklirane.

Distributer za SLO: **ELEMENTA ELEKTRONIKA d.o.o.**

Cesta zmage 13A, 2000 Maribor

Tel.: 05 917 83 22, Fax: 08 386 23 64

Mail: office@elementa-e.si • www.elementa-e.si

Država porekla: Kitajska



Předtím, než začnete produkt používat, si pečlivě přečtěte tento uživatelský manuál a tento si uschovejte. Původní popis byl vyhotoven v maďarském jazyce. Tento přístroj mohou osoby, které mají snížené fyzické, smyslové nebo duševní schopnosti, nebo které nemají zkušenosti a potřebné vědomosti, dále děti od 8 let, používat pouze v případě, že je zajištěn odpovídající dohled nebo když byly takové osoby poučeny o používání zařízení a pochopily možná nebezpečí spojená s bezpečným používáním. Je zakázáno, aby si s přístrojem hrály děti. Čištění přístroje nebo běžnou uživatelskou údržbu smí děti provádět výhradně pod dohledem. Po vybalení se ujistěte o tom, zda přístroj nebyl během přepravy poškozen. Obal se nesmí dostat do rukou dětem, jestliže obsahuje sáčky nebo jiné nebezpečné komponenty!

- 4v1: BT + MP3 + AUX + RÁDIO • Bezdrátový BT připojení • Přehrávání hudby z mobilních zařízení, počítače • Ovládní funkce přehrávání hudby mobilního telefonu • Přehrávání souborů MP3 z externích zdrojů USB/microSD • 3-pásmový radiopřijímač AM-FM-SW • Kabelový audio vstup (AUX IN) • Mimořádně dlouhá doba provozu; až 20 hodin na jedno nabití • Předpokládaná doba nabíjení / doba provozu: ~10 / 20 hodin • Plynulé provozování ze sítě a z akumulátoru • Dobu provozu lze několikanásobně zvýšit vložením dalšího akumulátoru • baterií (LR20) • Mnohostranné napájení: síťový nabíjecí kabel v příslušenství zabudovaný akumulátor, 3 ks D/LR20 (1,5V) baterie (nejsoučástí balení), možnost vložením akumulátoru typu 18650 (není součástí balení), externí 5V --- miniUSB adaptér (opce)

UVEDENÍ DO PROVOZU, NAPÁJENÍ, NABÍJENÍ

Přístroj lze nabíjet pěti různými způsoby. Přístroj můžete provozovat prostřednictvím zabudovaného akumulátoru – po jeho nabití. Před prvním použitím je nutné akumulátor nabít. Síťový napájecí kabel dodávaný v příslušenství zasuňte nejprve do rozhlasového přijímače (konektor AC IN na zadní straně), potom jej zapojte do sítě a rozhlasový přijímač nechte vypnutý. Během nabíjení bude na pravé straně svítit červená LED kontrolka. Nabíjení ukončíte vytáhnutím síťového napájecího kabelu poté, kdy červená LED kontrolka zhasne, nebo nepojedete po uplynutí 12 hodin. V případě zcela vybitého akumulátoru trvá proces nabíjení přibližně 10 až 12 hodin. To znamená provozní dobu cca. 18 až 20 hodin ze zabudovaného akumulátoru, při středním stupni hlasitosti. To závisí na nastaveném stupni hlasitosti, zvoleném provozním režimu a také na teplotě okolního prostředí. Test byl prováděn při poslechu rozhlasového přijímače, při pokojové teplotě. Přijímač je možné nabíjet i během používání, to však prodlouží dobu nabíjení. V případě vybití nabijte přijímač ze sítě. Kromě nabíjení prostřednictvím zabudovaného akumulátoru ze sítě můžete přijímač používat prostřednictvím 3 ks baterií typu D (LR20/1,5V) nebo akumulátoru typu 18650 – který je nutné zakoupit samostatně – umístovaného zvlášť do příhrádky vedle schránky na baterie, nebo pomoci samostatně zakoupeného adaptéru typu -5V --- zapojeného do konektoru miniUSB (11) umístěného na boční straně přijímače. Po jednom nabití lze dosáhnout velmi dlouhé provozní doby, jestliže využijete všechny dostupné možnosti a vedle zabudovaného akumulátoru vložíte současně 3 ks baterií typu LR20 a akumulátor typu 18650.

- Později, ani v případě úplného vybití nenabíjete akumulátor déle než 12 hodin! Po uplynutí této doby vytáhněte nabíjecí kabel ze sítě i z akumulátoru! Výjimkou je případ, kdy přijímač posloucháte i během nabíjení.
- Za účelem dosažení delší životnosti doporučujeme akumulátor 1 až 2-krát za měsíc nabít i v případě, když akumulátor nepoužíváte. Jestliže se vybité během používání, neprodleně jej nabíjete!
- 3 baterie typu D vložte do schránky na baterie, přitom dbejte na správnou polaritu, vyznačenou ve schránce. Používejte-li baterie, nebudou se nabíjet ani při použití síťového nabíjecího kabelu, ani externího nabíjení o 5 voltch. Nedoporučujeme místo baterií používat akumulátory stejných parametrů (D). V případě provozování prostřednictvím baterií od přijímače nezapojte síťový kabel!
- 3 baterie typu D dokáží nabíjet zabudovaný (a opcí 18650) akumulátor i bez zapojení síťového kabelu.
- Dobu provozu je možné prodloužit obstaráním dalšího akumulátoru (typ 18650) a vložením do příslušné příhrádky.
- Snížená hlasitost nebo zkrácený, přerušovaný zvuk poukazuje na vybití akumulátoru nebo baterií. Akumulátor nabíjete a vybité baterie neprodleně vyměňte!
- Nepoužívejte současně baterie od různých výrobců nebo baterie v různém stavu vybití! Výměnu baterií smí provádět výhradně dospělá osoba!
- Pokud z baterií případně vytekla tekutina, použijte ochranné rukavice a schránku na baterie vyčistěte suchou utěrkou! Baterie je zakázáno otevírat, vzhazovat do ohně nebo zkratkovat! Nedobíjitelné baterie je zakázáno nabíjet! Nebezpečí výbuchu! Místo baterií nevkładějte akumulátory, jelikož se vyznačují nižším napětím a účinností!
- Proces nabíjení může občas způsobovat šum v reproduktorech. Ve vypnutém stavu funguje přijímač prostřednictvím automatického nabíjení akumulátoru. Proto je po dokončení procesu nabíjení nutné kabel vytáhnout!
- Pro úplné odpojení z elektrické sítě přijímač vypněte regulátorem VOLUME a odpojte jej z elektrické sítě!
- Za účelem dosažení delší životnosti dbejte na to, aby akumulátor byl nabíjen i v případě, když není používán!
- Použitý akumulátor je uzavřený typ, olověný kyselinový. Nevýžaduje údržbu. Po skončení životnosti lze nechat akumulátor vyměnit odborníkem, po odstranění panelu za zadní straně. Krytje upevněte šrouby.

VOLBA FUNKCÍ

Přístroj zapnete a otočným spínačem VOLUME (5.) nastavíte požadovaný stupeň hlasitosti, regulátorem BAND (6.) a tlačítkem MODE (4.) zvolíte požadovanou funkci. Spínač BAND nastavený do pozice MP3 aktivuje multimediální přehrávač. Potom můžete opakovanými stisknutím tlačítka MODE volit z následujících režimů: režim bezdrátového BT připojení – přehrávání USB – přehrávání microSD – režim AUX Spínačem BAND (6.) můžete volit různá vlnová pásma: FM-AM-SW.

- Po zvolení aktuální multimediální funkce uslyšíte hlasové oznámení v angličtině.
- Volnější fungování spínače BAND nemá vliv na jeho funkci.

POUŽÍVÁNÍ ROZHLASOVÉHO PŘÍJÍMAČE

Spínačem BAND (6.) zvolte požadované vlnové pásmo. V případě vlnového pásma FM a SW opatrně vytáhněte anténu a nastavte ji do polohy, kde je kvalita příjmu nejlepší. Otočným spínačem TUNING (7.) naladíte požadovanou rozhlasovou stanici.

- V případě poslouchání pásma AM je funkční zabudovaná anténa. Anténu nevytahujte, ale přijímač natočte do polohy, kde je kvalita příjmu nejlepší.
- Schopnost příjmu signálu rozhlasového přijímače závisí ve velké míře na místě používání přijímače a na aktuálních podmínkách příjmu signálu.
- S anténou zacházejte opatrně, aby nedošlo ke zlomení antény!
- Elektronická zařízení nacházející se v blízkosti mohou rušit přijím.

AUX AUDIO VSTUP

Máte-li k dispozici takové zařízení, které je vybaveno audio výstupem nebo konektorem pro náhlavní sluchátka, pak toto zařízení můžete poslouchat prostřednictvím reproduktoru tohoto radiopřijímače. Propojte vstup AUX IN (10.) s audio výstupem druhého přístroje. Otočný spínač BAND (6.) nastavte do pozice MP3. Potom několikrát stiskněte tlačítko MODE (4.) tak dlouho, dokud nebude zvolena funkce AUX a neuslyšíte zvuk externího zařízení.

- Dosažitelná kvalita zvuku záleží na kvalitě audiosignálu poskytovaného externím zařízením.
- Nastavení hlasitosti a regulace zabarvení zvuku externího zařízení má významný vliv na kvalitu zvuku.

PŘEHRAVAČ MP3 (z zdrojů USB/microSD)

Otočným spínačem BAND (6.) zvolte funkci MP3. Opatrně vložte externí zdroj USB nebo microSD s nahranými skladbami ve formátu MP3, přehrávání bude spuštěno automaticky. Požadovanou skladbu zvolíte tlačítky přehrávání-pauza ►► (1.) a tlačítky určenými k vyhledávání ◀◀ ►► (2.) (3.). Jestliže je zároveň zapojený datový zdroj USB a microSD, pak je můžete volit tlačítkem MODE (4.).

- Během přehrávání nevymíňejte paměťovou kartu nebo USB externí jednotku, protože byste tak mohli způsobit poškození uloženích dat!
- Doporučovaný formát souborů: FAT32. Nepoužívejte paměťové jednotky ve formátu NTFS!
- Po vložení paměťové karty začíná přehrávání od první skladby. Jestliže jste již předtím hudbu z daného zdroje poslouchali, pak začíná přehrávání naposledy zvolenou přehrávanou skladbou i v případě, že byl přístroj mezitím vypnutý a karta byla vyjmuta.
- Specifické parametry externího zdroje mohou způsobit nesprávné fungování, to však neznamená závadu přístroji!
- Kromě přehrávaných souborů neukładějte na paměťovou kartu soubory jiného typu, protože mohou zpomalovat nebo nemožně přehrávání.

POUŽÍVÁNÍ BEZDRÁTOVÉHO BT PŘIPOJENÍ

Přístroj můžete spárovat s jinými zařízeními komunikujícími podle protokolu BT, a to ve vzdálenosti dosahu nejvýše 10 metrů. Poté můžete poslouchat hlasitě hudbu přehrávanou

prostřednictvím mobilního telefonu, tabletu, notebooku nebo jiného podobného přístroje. Vyměňte externí zdroj USB nebo microSD, je-li vložen. Do blízkosti radiopřijímače umístěte mobilní telefon nebo podobné zařízení s funkcí BT. Otočným spínačem BAND (6.) zvolte funkci MP3. Není-li vložen externí zdroj USB/microSD, pak se režim BT aktivuje automaticky. Rychlé blikání LED diody umístěné vedle tlačítka **MODE (4.)** signalizuje, že přijímač je připraven ke spárování prostřednictvím funkce BT. Způsobem uvedeným v návodu k používání přístroje, který chcete spárovat, vyhledejte zařízení s funkcí BT nacházející se v blízkosti, mezi nimi také tento přístroj. Obě zařízení vzájemně propojte. V případě úspěšného propojení bude doposud blikající LED dioda svítit nepřetržitě a zazní krátký zvukový signál. Poté můžete prostřednictvím stereo reproduktorů poslouchat požadovaný program. Ovládací tlačítka radiopřijímače (▶ || ◀▶▶) můžete vyhledávat mezi skladbami zaznamenanými na telefonu a zastavit přehrávání.

- Jeden radiopřijímač lze současně spárovat pouze s jedním zařízením s funkcí BT.
- Hlasitost a kvalita zvuku závisí na nastavení mobilního telefonu. Použití nainstalované regulace zbarvení zvuku umožní nastavení podle individuálních požadavků.
- V případě potíží spojených s procesem spárování vypněte a opětovně zapněte režim MP3, stejně jako funkci BT na externím přístroji a příslušný postup zopakujte!
- Aktuální vzdálenost dosahu závisí na vlastnostech druhého zařízení a na okolním prostředí.
- Přichází hovor přijímáte na telefonu, po ukončení hovoru pokračujte v poslechu hudby.

ČIŠTĚNÍ

Předtím, než začnete přijímač čistit, odpojte jej z elektrické sítě vytažením ze zásuvky ve zdi! Plastyový kryt radiopřijímače čistěte suchou, měkkou utěrkou. Nepoužívejte k čištění agresivní čisticí prostředky! Do vnitřních částí přístroje ani na zapojení se nesmí dostat voda!

ODSTRANĚNÍ ZÁVAD

V případě zjištění závady vypněte a odpojte z elektrické sítě! Později se pokuste přijímač znovu zapnout. Jestliže problém přetrvává, přečtěte si následující přehled možných závad. Tyto pokyny vám mohou pomoci identifikovat závadu, jestliže je přijímač jinak zapojen správně. Bude-li to nutné, kontaktujte odborníka!

- Přijímač nefunguje

- Radiopřijímač není zapnutý.
 - Zkontrolujte nastavení spínačů VOLUME, BAND a MODE.
- Síťový kabel není správně zapojen.
 - Zkontrolujte správné zapojení napájecího kabelu do přijímače a do zásuvky elektrické sítě.
- Akumulátor je vybitý.
 - Zabudovaný akumulátor zapojte do elektrické sítě a nechte jej nabít.
- Nefunguje přehrávání z požadovaného externího zdroje
 - Připojení BT funkce není správné, nebo externí zdroj souborů MP3 není vložen správně
 - Zkontrolujte spárování mobilního zařízení a radiopřijímače.
 - Zkontrolujte obsah datového nosiče a provozuschopnost v počítači.
 - Zkontrolujte, zda je dodáváno napětí.

BEZPEČNOSTNÍ UPOZORNĚNÍ

- Předtím, než začnete přijímač používat, si pozorně přečtěte tyto pokyny a uložte si je pro případ potřeby v budoucnu na snadno přístupné místo! • Po skončení používání (nabíjení)



Nebezpečí úrazu elektrickým proudem! Rozebírání a přestavba přístroje nebo jeho příslušenství je zakázáno! Při poškození kterékoli části ihned odpojte ze sítě a vyhledejte odborníka!



Jestliže dojde k poškození přípojného síťového vodiče, výměnu je dovoleno provést pouze za vodič poskytnutý přímo výrobcem nebo servisní službou výrobce!



Abyste předešli případnému poškození sluchu, neposlouchejte po delší dobu při zvýšené hlasitosti.



Přístroje, které již nebudete používat, shromažďujte zvlášť a tyto nevhazujte do běžného komunálního odpadu, protože mohou obsahovat látky nebezpečné pro životní prostředí nebo škodlivé lidskému zdraví! Nepotřebné nebo nepoužitelné přístroje můžete zdarma odevzdat v místě dis-tribuce, respektive v všech takových distributorech, kteří se zabývají prodejem zařízení, která mají stejné parametry a funkce. Odevzdat můžete i na sběrných místech určených ke shromažďování elektronického odpadu. Tak chráníte životní prostředí, své zdraví a zdraví ostatních. V případě jakéhokoliv dotazu kontaktujte místní organizaci zabývající se zpracováním odpadu. Úlohy předepsané příslušnými právními předpisy vztahujícími se na výrobce vykonáváme a neseme s tímto spojené případné náklady.

LIKVIDACE BATERIÍ A AKUMULÁTORŮ

S bateriemi / akumulátory se nesmí nakládat jako s běžným domovním odpadem. Zákonnou povinností uživatele je odevzdatí uputěbených baterií / akumulátorů na určeném sběrném místě v bydlící nebo v prodejnách. Tím je zajištěno zneškodnění zbytků baterií / akumulátorů ekologickým způsobem.

přístroj vypnete a vytáhněte z elektrické sítě zástrčku napájecího kabelu! • Přístroj nikdy nezakrývejte, při umístění zajistěte volné proudění vzduchu! Zakrytí přístroje může způsobit přehřátí, nebezpečí požáru, zásah elektrickým proudem! • Kvalita zkomprimovaných souborů, používaných komprimčních programů a paměťových zdrojů USB/microSD může způsobovat takový chybný provoz, který není závadou přístroje. • Ani přehrávání podporovaných souborů není zaručeno ve všech případech, protože proces přehrávání může být ovlivněn podmínkami software a hardware, nezávisle na výrobci. Přehrávání souborů typu DRM chráněných autorským právem není zaručeno! • V hlasitosti a kvalitě zvuku různých audio souborů může být znatelný rozdíl, a to z důvodu odlišných parametrů těchto souborů. • Výrobce nenes odpovědnost za ztracená nebo poškozená data apod., a to ani v případě, když ke ztrátě dat apod. dojde v průběhu používání přístroje. Doporučuje se předem vyhotovit bezpečnostní kopii dat či skladek uložených na připojeném datovém zdroji a tuto uložte na počítač. • Do konektoru USB nezapojte za účelem nabíjení mobilní zařízení! • Nedoporučujeme používat USB paměťové jednotky s kapacitou vyšší než 32 GB, protože mohou způsobovat zpomalování nebo zamezování přehrávání. Na externí paměťové jednotky ukládejte jen soubory určené k přehrávání, uclanění cizích údajů/souborů může zpomalovat přehrávání nebo způsobit jiné závady. • Abyste ochránili audiosystém před vnějším šumem, audiokabely pokládejte vždy v dostatečné vzdálenosti od síťových kabelů! • Zjistíte-li jakoukoli závadu, přijímač okamžitě vypněte a kontaktujte odborníka! Mnohé anomálie (není slyšet zvuk, nepřijímám zápach, cizí předmět v přístroji apod.) jsou snadno identifikovatelné. • Je přísně zakázáno prostřednictvím otvorů na zadní straně strkat do přijímače ruce nebo jakékoli nástroje, respektive do přístroje vkládat jakékoli cizí předměty! • Z důvodu přítomnosti síťového napětí dodržujte standardní bezpečnostní předpisy! Je zakázáno dotýkat se přístroje nebo napájecího kabelu vlhkými rukama! V případě poškození síťového napájecího kabelu přístroj okamžitě odpojte z elektrické sítě! • Přijímač umísťte vždy tak, aby zástrčka byla snadno přístupná a aby bylo možné ji snadno vytáhnout ze zásuvky elektrické sítě! Napájecí kabel pokládejte vždy tak, aby nebylo možné jeho náhodné vytažení ze zásuvky, respektive aby bylo zamezeno náhodnému zakopnutí o kabel! Nikdy nepokládejte napájecí kabel pod koberec, rohožku apod.! • Reproduktory obsahují magnety, a proto do blízkosti reproduktorů neumisťte předměty citlivé na magnetické pole (např. bankovní karty, magnetofonové kazety, kompas...) • Dovoleno je zapojovat výhradně do kontaktních zásuvek zařazených do druhé třídy ochrany před nebezpečným proudem s hodnotami napětí 230V~/50Hz! • Radiopřijímač nesmí přijít do kontaktu se síťkající vodou, na radiopřijímač nikdy nepokládejte předměty naplněné vodou, například sklenici! Na radiopřijímač nepokládejte zdroje otevřeného ohně, jakým je například hořící svíčka! • Přístroj nerozebírejte, nijak neupravujte, protože byste tak mohli způsobit požár, úraz nebo zásah elektrickým proudem! • Chraňte před prachem, ovzdušním s vysokou relativní vlhkostí, teplotinami, vysokými teplotami, vlhkem, mrazem a před nárazy, dále před působením zdrojů sálajícího tepla nebo přímým slunečním zářením! Určeno výhradně k používání v suchých interiérech! • Nesprávné uvedení do provozu nebo nesprávné používání může znamenat ztrátu nároku na uplatnění záruky. • Uživatel nesmí odstraňovat zabudovaný akumulátor. Je nutné sejmout příšroubovaný zadní panel. Po skončení životnosti je přístroj i akumulátor považován za nebezpečný odpad. • Společnost „Somogyi Elektronik Kft.“ tímto potvrzuje, že rádiové zařízení splňuje požadavky směrnice číslo 2014/53/EU. O kompletní text prohlášení o shodě EU můžete požádat na e-mailové adrese: somogyi@somogyi.hu • Technické parametry a design se mohou v důsledku průběžného vývoje měnit i bez předcházejícího oznámení. • Aktuální text návodu k používání si můžete stáhnout na webových stránkách www.somogyi.hu. • Za případné chyby v tisku neneseme odpovědnost a za tyto se předem omlouváme.



SOMOGYI ELECTRONIC®

Prije prve uporabe proizvoda, molimo pročitajte upute za uporabu u nastavku i zadržite ih za kasniju uporabu. Izvorne upute napisane su na mađarskom jeziku. Ovaj uređaj mogu koristiti samo osobe s oštećenim fizičkim, osjetilnim ili mentalnim sposobnostima, ili koje nemaju iskustva ili znanja, kao i djeca od 8 godina, ako su pod nadzorom ili su dobili upute o upotrebi i razumjeli su opasnosti povezane s uporabom. Djeci se ne smije dopustiti da se igraju s jedinicom. Djeca mogu čistiti ili održavati uređaj samo pod nadzorom. Nakon raspakiranja proizvoda provjerite da nije oštećen tijekom transporta. Djecu držite podalje od materijala za pakiranje ako sadrži vrećicu ili druge opasne sastojke.

- 4u1: BT + MP3 + AUX + RADIO • Bežična BT konekcija • Reprodukcijska glazbenih sadržaja sa mobilnog uređaja, računala • Upravljanje glazbenim plejerom putem mobilnog telefona • MP3 reprodukcija sa USB/microSD uređaja • 3-band AM-FM-SW radio • Žični audio ulaz (AUX IN) • Ekstremno dugo vrijeme uporabe: do 20 sati sa jednim punjenjem • Očekivano vrijeme punjenja / radon vrijeme: 10 / 20 sati • Neprekidan rad sa mreže ili baterije • Vrijeme rada se može pomnožiti umetanjem dodatnog akumulatora (18650) i baterija (LR20) • Svestrani punjač: napojni kabel za punjenje u pribor, ugrađen akumulator, 3 x D/LR20 (1,5 V) baterije (ne isporučuje se), mjesto za dodatni akumulator tipa 18650 (nije uključen), eksterno 5 V --- miniUSB adapter (opcionalan)

INSTALACIJA, NAPAJANJE, PUNJENJE

Uređaj ima pet različitih opcija napajanja. Može se koristiti s ugrađenim akumulatorom - nakon punjenja. Akumulator se mora napuniti prije prve uporabe. Spojite isporučeni mrežni kabel na radio (AC IN utičnica na stražnjoj strani), zatim spojite na električnu mrežu i isključite radio. Prilikom punjenja crvena LED lampica svijetli na desnoj strani. Dovršite punjenje uklanjanjem mrežnog kabela ako se crvena LED lampica ugasi ili najkasnije nakon 12 sati. U slučaju potpuno ispražnjenog akumulatora, vrijeme punjenja je približno 10-12 sati. Time se dobivacca. 18-20 sati rada na unutarjem akumulatoru na srednjem volumenu. Također ovisi o podešenoj glasnoći, odabranom načinu rada i temperaturi okoline. Ispitivanje je provedeno slušanjem radija na sobnoj temperaturi. Također se može puniti tijekom uporabe, ali povećava vrijeme punjenja. Ako je ispražnjen, napunite ga iz napajanja. Možete ga upravljati osim punjenja ugrađenog akumulatora iz mreže, od 3 x D (LR20 / 1,5 V) baterije, ili od zasebno dostupnog - postavljenog u odvojeni odjeljak pored akumulatora tipa držača baterije -18650 od posebno dostupnih 5 V --- Adapter spojen na miniUSB utičnicu (11.). Izuzetno dugo akumulatorsko vrijeme može se postići s punjenjem ako se koriste sve dostupne opcije i istovremeno umetnemo 3 x LR20 bateriju i 18650 akumulator.

- *Kasnije ga ne punite dulje od 12 sati, čak i u slučaju potpunog ispražnjenja! Nakon zadano vremena, isključite žicu iz električne mreže i iz uređaja! Iznimka, ako slušate uređaj tijekom punjenja!*
- *Čak i kada se ne koristi, preporuča se punjenje akumulatora za 1-2 mjeseca kako bi se postigao duži vijek trajanja. Ako se tijekom uporabe isprazni, odmah je napunite!*
- *Umetnite 3 x D baterije u držač baterije u skladu s označenim polovima. Ako ga koristite iz baterija, oni se ne pune niti iz kabela za punjenje, niti pomoću vanjskog napajanja od 5 Volti. Ne preporučuje se uporaba istih akumulatora (D) umjesto baterija. U slučaju rada s baterijom, ne priključite kabel napajanja na uređaj!*
- *3 x D baterije mogu puniti tvornički ugrađeni (i dodatni 18650) akumulator bez spajanja kabela za napajanje.*
- *Vrijeme rada može se produžiti kupnjom i umetanjem dodatnog akumulatora (tipa 18650) u pretinac namijenjen za to.*
- *Smanjenje glasnoće ili izobličivanje zvuka označava istrošenost baterija ili akumulatora. Napunite akumulator, odmah uklonite ispražnjene baterije!*
- *Istovremeno ne upotrebljavajte zajedno različito proizvedene ili različite baterije. Zamjenu baterije može izvršiti samo odrasla osoba!*
- *Ako je iz akumulatora istekla neka tekućina, uzмите zaštitnu rukavicu i očistite držač baterije suhom krpom! Zabranjeno je otvarati, bacati u vatru ili kratko spojati baterije! Baterije koje se ne mogu puniti ne smiju se puniti! Opasnost od eksplozije! Ne stavljajte baterije umjesto akumulatora jer su njihov napon i učinkovitost znatno manji!*
- *Punjenje može povremeno uzrokovati šum u zvučniku. Kada je uređaj isključen, automatski baterija. Uređaj funkcionira kao automatski akumulatorski punjač u isključenom stanju. Stoga, nakon završetka punjenja, izvadite kabal!*
- *Za potpuno isključivanje, isključite ga pomoću VOLUME i isključite iz napajanja!*
- *Čuvajte akumulator u stanju punjenja čak i kada se ne koristi tijekom dužeg vijeka trajanja.*
- *Korišteni akumulatorski tip je zatvoren, olovno-kiselinski tip. Ne zahtijeva održavanje. Na kraju svog vijeka trajanja, nakon zamjene stražnje ploče, može ga zamijeniti stručnjak. Poklopac je pričvršćen vijcima.*

ODABIR FUNKCIJE

Uključite jedinicu i željenu glasnoću pomoću VOLUME (5.) okretnog prekidača i odaberite željenu funkciju pomoću BAND (6.) i MODE (4.) tipke. U prekidaču MP3 položaja prekidača BAND na multimedijalnom playeru. Nakon toga pritiskom na MODE možete se pomicati između sljedećih načina:

bežični BT način rada - USB reprodukcija - microSD reprodukcija - AUX način

U dodatnim pozicijama izbornika BAND (6.) možete odabrati radio valove: FM-AM-SW.

- *Kada odaberete trenutnu multimedijску funkciju, možete čuti englesku obavijest.*
- *Slab rad BAND prekidača ne utječe na njegovu funkciju.*

RADIO

Odaberite željenu valnu dužinu pomoću prekidača BAND (6.). U slučaju FM i SW trake, pažljivo isključite antenu i podesite je u skladu s najboljim prijemom. Podesite željenu radiopostaju pomoću okretnog prekidača TUNING (7.).

- *Dok slušate AM pojas, ugrađena antena će raditi. Nemojte izvući antenu, već cijeli proizvod pretvorite u najbolji položaj pri prijemu.*
- *Mogućnost prijema radija znatno ovisi o mjestu uporabe i stvarnim uvjetima prijema.*
- *Pažljivo rukujte antenom kako se ne biste slomili!*
- *Električni uređaji smješteni u blizini mogu ometati prijem!*

AUX AUDIO ULAZ

Ako imate uređaj koji ima 3,5 mm audio izlaz ili priključak za slušalice, možete ga slupati putem zvučnika ovog radija. Povežite ulaz AUX IN (10.) s audio izlazom drugog uređaja. Postavite okretni prekidač BAND (6.) u položaj MP3. Zatim pritisnite tipku MODE (4), dok se ne odabere AUX funkcija i nećete čuti zvuk vanjske opreme.

- *Dostupna kvaliteta zvuka ovisi o kvaliteti audio signala koji pruža vanjski uređaj.*
- *Podešavanje kontrole glasnoće i tonova vanjskog uređaja uvelike utječe na zvu.*

MP3 REPRODUKCIJA (sa USB/microSD uređaja)

Odaberite funkciju MP3 pomoću okretnog prekidača BAND (6.). Pažljivo umetnite USB ili microSD uređaj koji sadrži MP3 pjesme i reprodukcija započinje automatski. S play-pauzom ► || (1.) sa ◀ ▶ (2.) (3.) tipkama možete mijenjati pjesme. Ako imate istodobno priključen USB i microSD uređaj za pohranu, možete ih mijenjati pomoću gumba MODE (4.).

- *Nemojte uklanjati memorijsku karticu ili USB uređaj tijekom rada, jer to može oštetiti podatke!*
- *Preporučeni sustav datoteka za memoriju je FAT32. Nemojte koristiti memorijsku jedinicu formatiranu NTFS-om!*
- *Nakon umetanja memorijske jedinice, reprodukcija će početi od prvog zapisa. Ako ste je već slušali, reprodukcija će se nastaviti s posljednje odabrane pjesme, čak i ako je uređaj bio isključen ili je memorijski uređaj uklonjen.*
- *Neonomalan rad može biti uzrokovan jedinstvenim značajkama uređaja za masovnu pohranu, što ne znači da je uređaj u kvaru!*
- *Osim datoteka koje se mogu reproducirati, na memorijsku karticu nemojte pohranjivati druge vrste datoteka jer može usporiti reprodukciju.*

KORIŠTENJE BEŽIČNE BT KONEKCIJE

Uređaj se može upariti s drugim uređajima koji komuniciraju s BT protokolom, u rasponu do 10 metara. Nakon toga, glazba koja se igra na mobilnom telefonu, tabletu, prijenosnom računalu i drugim sličnim uređajima može se slupati na hands-free način. Uklonite USB ili microSD pohranu ako je umetnuta. Postavite mobilni telefon ili drugi sličan BT uređaj u blizini radija. Odaberite opciju MP3 pomoću gumba BAND (6.). Ako u njega nije umetnuta USB / microSD memorija, BT mod se automatski aktivira. Brzo treptanje LED-a pored gumba MODE (4.) označava stanje spremnosti za uparivanje BT. Prema načinu na koji je napisano u uputama uređaja koji će se upariti, potražite BT uređaje u blizini, uključujući i ovaj. Spojite dva uređaja zajedno. Nakon uspješnog uparivanja, treptuće LED svjetlo neprekidno svijetli i oglašava se kratki zvučni signal. Nakon toga možete slušati željeni program na zvučniku. Pjesme se mogu pomicati i reprodukcija se može pauzirati pomoću kontrolnih gumba radija.

- *Radio se može upariti s jednim BT uređajem u isto vrijeme.*
- *Glasnoća i kvaliteta zvuka uvelike ovise o postavkama vašeg mobilnog telefona. Instalirana*

- aplikacija ekvalizatora omogućuje vam da postavite željeni prilagođeni zvuk.
- U slučaju problema s uparivanjem, isključite i vratite radio i BT funkciju na vanjskom uređaju i pokušajte ponovno.
- Raspon dostupnosti ovisi o drugom uređaju i uvjetima okoline.
- Kada primite poziv, primite ga na telefon i nakon završetka poziva nastavite slušati glazbu.

ČIŠĆENJE

Prije čišćenja isključite uređaj iskopčavanjem priključnog utikača! Plastično kućište očistite suhom, mekom krpom. Nemojte koristiti agresivna sredstva za čišćenje! Izbjegavajte ulazak vode i na priključke uređaja!

RJEŠAVANJE PROBLEMA

U slučaju otkrivanja bilo kakvog kvara, isključite uređaj i isključite ga iz električne utičnice! Pokušajte se ponovno uključiti kasnije. Ako se problem i dalje pojavljuje, pogledajte sljedeći popis. Ovaj će vam vodič pomoći da utvrdite grešku, ako je uređaj spojen kako je propisano. Ako je potrebno, kontaktirajte stručnjaka!

- Uređaj ne radi.

- Radio je isključen.
- Provjerite postavke VOLUME, BAND i MODE prekidača.
- Kabel za napajanje nije ispravno spojen.
- Provjerite je li priključni kabel ispravno priključen na uređaj i utičnicu.
- Akumulator je potrošen.
- Spojite ugrađeni akumulator na električnu mrežu i napunite ga.
- **Reprodukcija ne radi iz zelenog izvora.**
- Pohrana podataka BT ili MP3 nije ispravno spojena.
- Provjerite vezu mobilnog uređaja i radija.
- Provjerite sadržaj i operativnost pohrane podataka pomoću računala.
- Provjerite prisutnost napajanja.

UPOZORENJA

• Pažljivo pročitajte upute za uporabu prije uporabe i čuvajte ih da budu dostupni! • Nakon uporabe (punjenja), isključite uređaj i isključite ga iz električne mreže! • Ne pokrivajte uređaj, pri postavljanju, osigurajte slobodan protok zraka! Pokrivanje uređaja može uzrokovati pregrijavanje, opasnost od požara i strujnog udara! • Zbog komprimiranih datoteka, primijenjenog programa kompresije i kvalitete USB / microSD memorije može doći do nepravilnog rada, što nije nedostatak uređaja. • Reprodukcija podržanih datoteka nije

odobrena u svakom slučaju, budući da na nju mogu utjecati softverski i hardverski uvjeti koji su neovisni od proizvođača. Reprodukcija zaštićenih DRM datoteka nije odobrena! • Mogu postojati razlike između različitih audio datoteka zbog različitih parametara. • Proizvođač nije pouzdan za izgubljene ili oštećene podatke, itd., Čak i ako se to dogodilo tijekom korištenja ovog proizvoda. Preporučuje se izrada sigurnosne kopije na osobnom računalu s podacima, zapisima i sl. Pohranjenim na spojenom memorijskom uređaju. • Ne spajajte mobilni telefon na USB priključak za punjenje! • Ne preporučuje se korištenje USB / SD memorijskih kartica većih od 32 GB jer vaše rukovanje može usporiti ili zapeti. U njemu se pohranjiva samo datoteke koje se mogu reproducirati na vanjskoj memoriji, prisutnost stranih podataka / datoteka može usporiti rad ili izazvati zabunu. • Kako biste zaštitili audio sustav od vanjske buke, odvedite audio kabele daleko od kabela za napajanje! • Odmah isključite uređaj ako postoje nedostaci i obratite se stručnjaku! Mnogi poremećaji (bez zvuka, neugodnog mirisa, stranih tijela u proizvodu, itd.) Mogu se lako otkriti. • Zabranjeno je ručno ga dodirivati kroz otvore rukom ili pomoću alata ili stavljati bilo kakve strane predmete u njega! • Zbog prisutnosti mrežnog napona pridržavajte se uobičajenih pravila za zaštitu života! Zabranjeno je dodirivanje uređaja ili priključnog kabela mokrim rukama! U slučaju oštećenja mrežnog kabela, odmah isključite uređaj! • Uređaj treba biti postavljen tako da omogućuje jednostavan pristup i uklanjanje utikača! Vodite kabel za napajanje kako biste spriječili da se slučajno izvadi ili se spalakne! Ne dovodite naponski kabel ispod tepiha, otačra itd.! • Zvučnici sadrže magnete, stoga ne postavljajte takve predmete blizu njih koji su osjetljivi na magnetsko polje (npr. kredna kartica, kazeta, kompas ...) • Uređaj može biti priključen samo na 230 V ~ / 50 Hz, drugi stupanj zaštite od električnog napajanja! • Ne izlažite uređaj prskanju vode i ne stavljajte predmete napunjene tekućinom npr. : staklo na njega! Otvoreni izvor plamena, poput upaljene svijeće, ne može se staviti na jedinicu! • Ne pokušavajte rastaviti ili modificirati uređaj ili njegovu dodatnu opremu jer može izazvati požar, nezgodu ili strujni udar! • Zaštitite ga od prašine, vlage, tekućine, vrućine, mraza, udara i izravnog toplinskog zračenja ili sunčevog svjetla! Koristite samo u zatvorenom, u suhim uvjetima! • Ne postoji jamstvo za kvarove koji su posljedica nepravilnog postavljanja ili neodgovornog korištenja. • Ugrađeni akumulator korisnik ne može ukloniti. Ako je vijek trajanja istekao, uređaj i akumulator postat će opasan otpad. • Somogyi Elektronik doo potvrđuje da je ova radiooprema u skladu s direktivom 2014/53 / EU. Cijeli tekst EU certifikata o sukladnosti dostupan je na sljedećoj adresi: somogyi@somogyi.hu • Zbog stalnog poboljšanja dizajna i specifikacije mogu se promijeniti bez prethodne najave. • Stvarni priručnik s uputama možete preuzeti s web-stranice www.somogyi.hu. • Ne preuzimamo odgovornost za tiskarske pogreške i ispričavamo se ako ih ima



Opasnost od strujnog udara! Zabranjeno je rastaviti, modificirati uređaj ili njegov pribor! U slučaju oštećenja bilo kog dijela proizvoda, odmah ga isključite iz struje i obratite se stručnoj osobi!



Ako se priključni kabel za struju ošteti, može se zamijeniti isključivo s kablom koji se nabavi od proizvođača ili njegovog servisera!



U cilju izbjegavanja oštećenja sluha nemojte dugo slušati s velikom jačinom zvuka.



Uređaji koji se odlažu u otpad ne trebaju izdvojeno prikupljati, odvojeno od otpada iz kućanstva, jer mogu u sebi sadržati komponente koje su opasne po okoliš i ljudsko zdravlje! Korišteni ili uređaji koji se odlažu u otpad se besplatno mogu odnijeti na mjesto njihove distribucije, odnosno kod takvog distributera koji vrši prodaju uređaja istih karakteristika i funkcije. Mogu se odložiti i na deponijama koji su specijalizirani za odlaganje elektronskog otpada. Ovimе Vi štite Vaš okoliš, Vaše i zdravlje drugih ljudi. Ukoliko imate pitanja, obratite se lokalnoj organizaciji za odlaganje otpada. Prihvaćamo na sebe zakonom određene obveze koje su propisane za proizvođače i sve troškove koji su u vezi s tim.

NEUTRALIZACIJA BATERIJA, AKUMULATORA

Baterije i akumulatore treba izdvojeno tretirati od smeća iz kućanstva. Korisnik je zakonom obavezan korištene i ispražnjene baterije i akumulatore dostaviti na deponije za otpad ili ih odnijeti do njihovog prodavatelja. Na ovaj način se osigurava njihova pravilna neutralizacija.