

instruction manual

**eredeti használati utasítás
návod na použitie
manual de utilizare
uputstvo za upotrebu
navodilo za uporabo
návod k použití
uputa za uporabu**



FKF 65221

figure 1 • 1. ábra • 1. obraz • figura 1. • 1. skica • 1. skica • 1. obrázek • slika 1.

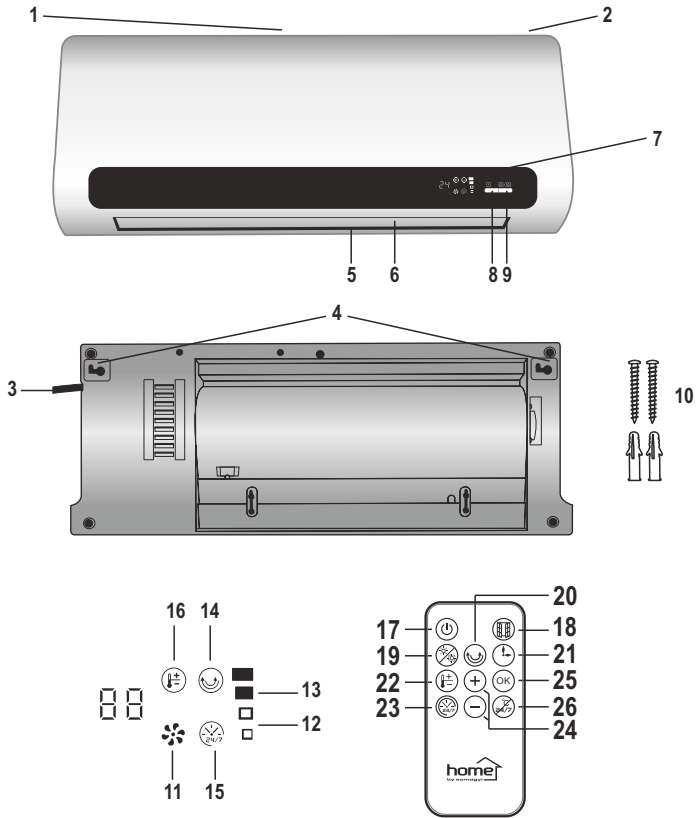
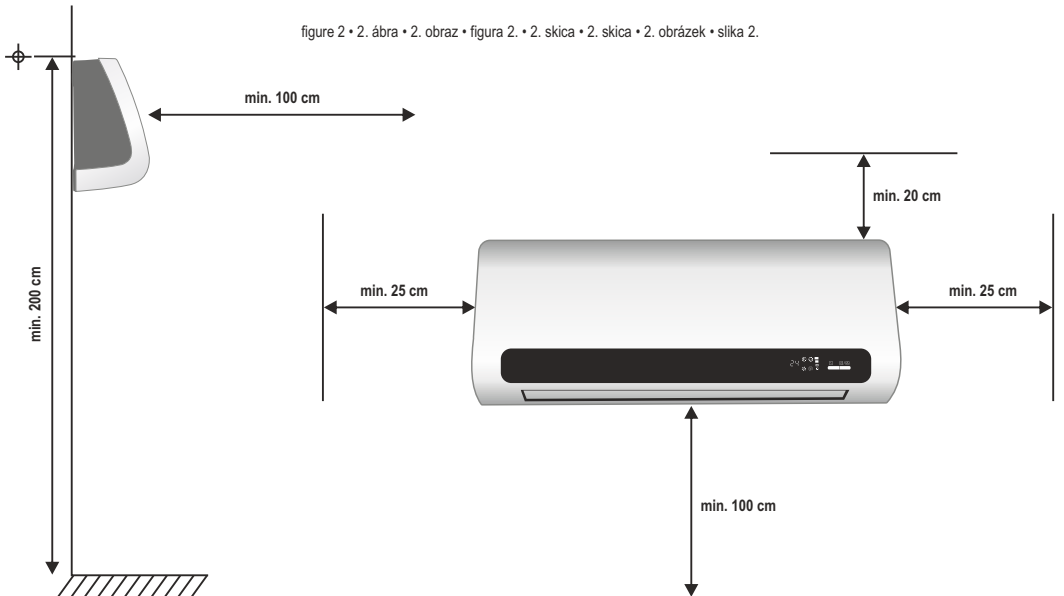


figure 2 • 2. ábra • 2. obraz • figura 2. • 2. skica • 2. skica • 2. obrázek • slika 2.



Before using the product for the first time, please read the instructions for use below and retain them for later reference. The original instructions were written in Hungarian language.

Children below the age of 3 years should be kept away from the appliance, except where they are under constant supervision.

Children between the age of 3 and 8 may only switch the appliance on/off provided that it has been set up and installed in the normal operating position and they are under supervision, or have been instructed how to operate the appliance safely and understand the hazards associated with use.

This appliance may only be used by persons with impaired physical, sensory or mental capabilities, or lacking in experience or knowledge, as well as children from the age of 8, if they are under supervision or have been given instruction concerning use of the appliance by a person responsible for their safety and they have understood the hazards associated with use. Children should not be allowed to play with the unit. Children may only clean or perform user maintenance on the appliance under supervision.

WARNING: Parts of this appliance can become very hot and could cause burns. Extra care should be taken when children or handicapped persons are around.

WARNINGS

1. Make sure, the appliance has not damaged during transport! • 2. Mount the unit only on vertical surface!
• 3. When locating and mounting the unit, please take into account the wall material and its bearing capacity! • 4. The heater should be mounted at a height of least 2 meters above the floor! • 5. Never locate the unit directly in corners and observe the minimum mounting distances indicated in Figure 2. Take into consideration the valid safety regulation of the county of use! • 6. Before powering on the appliance, confirm that the unit is mounted securely on the wall! • 7. The appliance should be used as intended for warming air, not for general heating purposes. • 8. The stream of warm air should not be directed to curtains or other flammable materials! • 9. Do not place it close to flammable materials! (min. 100 cm) • 10. Do not use in locations where flammable vapours or explosive dust may be released. Do not use near flammable materials or in potentially explosive environment! • 11. Operate only under constant supervision! • 12. It is forbidden to use it near children unattended! • 13. Only for indoor use, in a dry place. Protect from humidity (e.g. bathrooms, swimming pools)! • 14. It is prohibited to use the unit near bathtubs, basins, showers, swimming pools or saunas! • 15. It is prohibited to use the appliance in motor vehicles or in tight (< 5 m²) spaces such as elevators! • 16. When not planning to use the unit for an extended period of time, switch it off then remove the power plug from the outlet. Store the appliance in a cool, dry place! • 17. Before moving the heater, always unplug it from the mains! • 18. It is not allowed to locate the appliance directly below a wall outlet. • 19. If any irregular operation is detected (e.g., unusual noise or burnt odor from unit), immediately switch it off and un-plug it! • 20. Make sure that no foreign objects or liquid can enter the unit through the openings! • 21. Protect from dust, humidity, sunlight and direct heat radiation! • 22. Unplug the unit from the mains before cleaning! • 23. Never touch the appliance and the power cable with wet hands! • 24. Unwind the power cable totally! • 25. The appliance may only be connected to properly grounded 230 V~ / 50 Hz electric wall outlets! • 26. Do not use extension cords or power strips to connect the unit! • 27. Do not lead the power cable on the appliance or near the openings where air vents in and out!
• 28. The appliance should be located so as to allow easy access and removal of the power plug! • 29. The unit is for household use only! No industrial use is permitted! • 30. Due to continuous improvements, the technical data and design may change without any prior notice. • 31. The actual instruction manual can be downloaded from www.somogyi.hu website. • 32. We don't take the responsibility for printing errors which may occur, and apologize for them.

Order of MOUNTING ON WALL, INSTALLING

1. Before switching on for the first time, carefully remove the packaging material taking care not to damage the appliance and power cable. Do not use the product if it is damaged in any way!
2. The device may only be used in dry indoor conditions!
3. The free flow of warm air must be ensured for proper operation, therefore, please select the location for wall mounting according to Figure 2. Do not locate the appliance directly below a wall outlet!
4. In order to insert the wall studs, drill holes with appropriate size into the wall, at least 200 cm from the floor, along a horizontal line and 575 mm from each other.
5. Insert the studs into the holes then drive the enclosed screws into the studs so that the screw heads

extend approx. 10 mm from the wall surface.

- Hang the unit's rear panel onto the screw heads at the holes, move it left, till stop. Make sure that the heater is hanging securely on the wall!
- Connect the unit's power cable into a standard grounded wall outlet!

Caution: Risk of electric shock! Do not attempt to disassemble or modify the unit or its accessories. In case any part is damaged, immediately power off the unit and seek the assistance of a specialist.



In the event that the power cable should become damaged, it should only be replaced by the manufacturer, its service facility or similarly qualified personnel.



Meaning of symbol on appliance: **Do not cover!**



Covering the unit can cause overheating, fire or electric shock!

FEATURES

wall mounted PTC* fan heater for heating the air of indoor premises • adjustable output (1100 / 2200 W) • operation modes: warm, hot air • switchable air deflection • built-in thermostat • overheating protection • 8-hour switch of timing • weekly program • temperature display • with remote control

STRUCTURE (figure)

1. cold air inlet 2. main switch 3. power cable 4. mounting points 5. warm air outlet 6. swinging air deflector blade 7. display 8. 8-hour switch off timer 9. heating stage selector 10. screws, dowels 11. fan mode indicator 12. heating stage indicator - 1100 W 13. heating stage indicator - 2200 W 14. continuous air deflection indicator 15. weekly program indicator 16. temperatures setting / window opening indicator 17. on/off switch 18. window opening sensor 19. heating stage selector 20. continuous air deflection indicator 21. switch off timer 22. temperature setting 23. weekly program 24. selector buttons 25. OK 26. exit

OPERATION

The device can be operated with the buttons on it or with the remote control.

General use

After connecting the appliance to the mains, switch it on with its main switch (2). Then it beeps briefly, the display shows the room temperature in °C. You can switch the appliance on with the remote control's switch on/off button (17). The appliance switches on in fan mode, it does not heat. Use the remote control's (19) button to select the heating stage, or fan mode.

You can also adjust the operation of the appliance by setting the thermostat. You can set the desired temperature between 18 - 45 °C with the remote control's (22) button, then by pressing the +/- selector buttons. If the set temperature is higher with 1 - 2 °C than the measured temperature, the appliance operates in low heating stage. If the set temperature is at least 3 °C above the measured temperature, the unit operates at high heating stage. If the room temperature reaches the set temperature, the unit switches to fan mode. When the appliance is operating in thermostat mode, the indicator (16) is lighting continuously on the display. You can switch off the thermostat function at any time by pressing the remote control's (19) button, by selecting heating stage, or by pressing the (22) button, then pressing the (26) button on the remote control.

Use the (18) button on the remote control to switch on/off the window opening sensor. If the function is active, the indicator (16) is flashing continuously on the display. If the function is active, the appliance records the measured temperature 1 minute after the function is switched on, then compares the actual measured temperature with this value in every 5 minutes. If the current measured temperature is at least 8 °C lower than the original measurement, the unit switches off for energy saving reasons.

Use the (21) button on the remote control to set switch off timing, up to 8 hours, per hour. You can switch off this function by setting 0 hour as switch off time.

Use the remote control's (20) button to switch on/off the continuous air deflection. If the function is active, its indicator (14) is continuously lighting on the screen.

With the (9) buttons on the front of the product, you can switch on the appliance ready for operation. Pressing the button once switches the appliance to fan mode. By pressing the button again, it switches to low heating stage, and by pressing once more, it switches to high heating stage. By pressing the button again, it switches the appliance's continuous air deflection on, during high heating stage. Pressing the button again switches the appliance off.

After switching off the appliance, it may still operate in fan mode for about 30 seconds, then the fan mode indicator blinks, and the appliance counts down. Do not unplug the appliance from the mains until it is switched off, because it may cause damage to it.

Weekly program

You can only set or activate the weekly program function while using one of the heating stages, not besides fan mode. To use weekly program function, you need to set the time and date on your device. You should do this after every power off. If you have already set the time on your appliance, then you cannot change it. In this case, you can choose from the programs directly after pressing the (23) button. The exact time can only be reset after the power is switched off and switched back on. To set the exact time, press the remote control's (23) button. You can read 01 on the display - use the +/- selector buttons to set the actual days of the week (01 - Monday, 02 - Tuesday, etc.). Press the (23) button on the remote control again, then 00 is readable on the

display. Use the +/- selector buttons to set the actual hour. Press the (23) button on the remote control again, then 00 is readable on the display again. Use the +/- selector buttons to set the actual minute. Press the (23) button on the remote control again, then P1 is readable on the display. Press the (23) button again to select program P1 - P6, as shown in the following table:

Program	Monday	Tuesday	Wednesday	Thursday	Friday	Saturday	Sunday
P1	8:00-17:00	8:00-17:00	8:00-17:00	8:00-17:00	8:00-17:00	8:00-17:00	8:00-17:00
P2	18:00-7:00	18:00-7:00	18:00-7:00	18:00-7:00	18:00-7:00	18:00-7:00	18:00-7:00
P3	8:00-17:00	8:00-17:00	8:00-17:00	8:00-17:00	8:00-17:00	OFF	OFF
P4	18:00-7:00	18:00-7:00	18:00-7:00	18:00-7:00	18:00-7:00	OFF	OFF
P5	OFF	OFF	OFF	OFF	OFF	00:00-23:59	00:00-23:59
P6	SET	SET	SET	SET	SET	SET	SET

*: the switch off time is at a different day

The P6 program can be set freely, you can set a switch on/off time for each day of the week. If you set 00 to power on/off time for a day of the week, the appliance will not perform a scheduled program that day. When setting the program, you can only set whole hours during the program setup, not minutes. Make sure, that on the given day the switch off time is set after the switch on time.

To set the program, select P6 program, then press the OK button. Then on the display 1 is flashing - Monday. Press the OK button, on the display 00 is lighting, use the +/- selector buttons to set the switch on hour. Press the OK button, on the display 00 is lighting, use the +/- selector buttons to set the switch off hour. Press the OK button on the display, 2 is flashing on the display - Tuesday. After setting the switch off time on Sunday and pressing the OK button, the program is active.

Whenever you select the P6 program, you can always change the previously set program. By pressing the OK button several times, repeatedly to scroll through the previously set values and either change or leave them.

When you power off the appliance, it forgets the exact time and program set for the P6.

If any program is selected, the unit operates in the most recently used mode - or in any of the heating stages, or according to the temperature set in the thermostat mode.

If the weekly program is active, the indicator (15) is lighting on the appliance's display.

If the program is active but the device is not working, the indicator (15) is flashing.

You can switch on/off continuous air deflection at any time during weekly program operation.

If the program is selected, if the program does not function when selected, in some cases the appliance switches to fan mode for 30 seconds and then stop. The swinging air deflector blade remains open.

You can switch off the weekly program operation at any time, by pressing the (23) button on the remote control to enter programming, then pressing the remote control's (26) button.

In case of overheating, the overheating protection function will switch off the unit, for example, when the air inlets and outlets are covered. Power off the unit by unplugging it from the electric outlet. Allow the appliance to cool (for at least 30 minutes). Check whether the air inlets and outlets are obstructed or not, and clean them if necessary. Switch on the unit again. If the overheating protection activates again, power off the unit by unplugging it from the electric outlet and contact the service facility.

CLEANING MAINTENANCE

In order to ensure optimum functioning, the unit may require cleaning at least once a month, depending on the manner of use and degree of contamination.

- Switch off and power off the unit by unplugging it from the electric outlet before cleaning.
- Allow the appliance to cool (for at least 30 minutes).
- Use a vacuum cleaner with a brush attachment to clean the air inlet and outlet openings.
- Use a slightly moistened cloth to clean the unit's exterior. Do not use any aggressive cleaners. Avoid getting water inside the unit and on the electric components!

TROUBLESHOOTING

Malfunction	Possible solution
The unit does not heat in heating mode.	Check the section on overheating protection! Check the thermostat settings!
Overheating protection activates frequently.	Clean the appliance!
The unit does not respond to the remote control's signal.	Check the remote control's batteries!

SPECIFICATIONS

power supply:.....	230 V~ / 50 Hz
output:.....	1100 / 2200 W
maximal output:.....	2200 W
IP protection: IP20: Not protected from ingress of water!	
dimensions of heater:.....	65 x 25 x 15 cm
weight:.....	4,2 kg
length of power cable:.....	1,5 m
sound pressure:.....	60 dB(A)

* The PTC (Positive Temperature Coefficient - positive temperature coefficient) is a ceramic polycrystalline semiconductor, alloyed with barium and titanium. The real advantage is that it has temperature self-regulating ability, so you do not need any precautions against overheating, and the device is considerably energy-saving.

A termék használatba vétele előtt, kérjük, olvassa el az alábbi használati utasítást és őrizze is meg. Az eredeti leírás magyar nyelven készült.

A 3 évesnél fiatalabb gyermekeket távol kell tartani a készüléktől, kivéve, ha folyamatos felügyelet alatt állnak.

A 3 évesnél idősebb és 8 évesnél fiatalabb gyermekek csak ki-/bekapcsolhatják a készüléket, feltéve, ha azt a normál működési helyzetében helyezték el és telepítették, valamint felügyelet alatt vannak vagy a készülék biztonságos használatára vonatkozó útmutatást kapnak, és megértik a használatból adódó veszélyeket.

Ezt a készüléket azok a személyek, akik csökkent fizikai, érzékelési vagy szellemi képességekkel rendelkeznek, vagy akiknek a tapasztalata és a tudása hiányzik, továbbá gyermekek 8 éves kortól csak abban az esetben használhatják, ha az felügyelet mellett történik, vagy a készülék biztonságos használatára vonatkozó útmutatást kapnak, és megértik a használatból eredő veszélyeket. Gyermekek nem játszhatnak a készülékkel. Gyermekek kizárólag felügyelet mellett végezhetik a készülék tisztítását vagy felhasználói karbantartását.

FIGYELEM: Ezen készülék néhány része nagyon forróvá válhat és égési sérülést okozhat. Különösen vigyázni kell, ha gyermekek és kiszolgáltatott emberek vannak jelen.

FIGYELMEZTETÉSEK

1. Bizonyosodjon meg róla, hogy a készülék nem sérült meg a szállítás során! • 2. A készüléket kizárólag függőleges felületre szerelje! • 3. A felszerelésnél vegye figyelembe a fal alapanyagát, teherbírását! • 4. A fűtőtestet a padlószint felett legalább 2 m magasságba kell felszerelni! • 5. Ne helyezze közvetlen sarkokba, tartsa be a **2. ábrán** feltüntetett minimális beépítési távolságokat! Vegye figyelembe a mindenkori országban érvényes biztonsági előírásokat! • 6. Mielőtt áram alá helyezi a készüléket, győződjön meg róla, hogy a fűtőkészülék stabilan van a falon! • 7. A készülék rendeltetése szerint csak a levegő felmelegítésére használható, általános melegítési célokra nem. • 8. A kiáramló meleg levegő ne irányuljon közvetlenül függönyre, vagy más éghető anyagra! • 9. Ne helyezze gyúlékony anyag közelébe! (min. 100 cm) • 10. Tilos ott használni, ahol gyúlékony gőz vagy robbanásveszélyes por szabadulhat fel! Ne használja gyúlékony vagy robbanásveszélyes környezetben! • 11. Csak folyamatos felügyelet mellett üzemeltethető! • 12. Tilos gyermekek közelében felügyelet nélküli működtetni! • 13. Csak száraz beltéri körülmények között használható! Ovja páras környezetétől (pl. fürdőszoba, uszoda)! • 14. A készüléket TILOS fürdőkád, mosdókagyló, zuhany, úszómedence vagy szauna közelében használni! • 15. Tilos a készüléket gépjárművekben vagy szűk (< 5 m²), zárt helyiségekben használni (pl. lift)! • 16. Ha hosszabb ideig nem használja, a készüléket kapcsolja ki, majd húzza ki a csatlakozókábelt! A készüléket száraz, hűvös helyen tárolja! • 17. Mielőtt mozgatja a fűtőtestet, minden esetben áramtalanítsa azt! • 18. A készüléket tilos közvetlenül hálózati csatlakozóaljzat alatt elhelyezni! • 19. Ha bármilyen rendellenességet észlel (pl. szokatlan zajt hall a készülékből, vagy égett szagot érez) azonnal kapcsolja ki és áramtalanítsa! • 20. Ugyeljen arra, hogy a nyílásokon keresztül semmilyen tárgy vagy folyadék ne kerülhessen a készülékbe. • 21. Ovja portól, páratól, napsütéstől és közvetlen hősugárzástól! • 22. Tisztítás előtt áramtalanítsa a készüléket a csatlakozódugó kihúzásával! • 23. A készüléket és a csatlakozókábelt vizes kézzel soha ne érintse meg! • 24. A csatlakozókábelt teljesen tekerje le! • 25. Csak 230 V~ / 50 Hz feszültségű földelt fali csatlakozóaljzatba szabad csatlakoztatni! • 26. Ne használjon hosszabbítót vagy elosztót a készülék csatlakoztatásához! • 27. Ne vezesse a csatlakozókábelt a készüléken, vagy a levegő be- és kivezető nyílások közelében! • 28. A készüléket úgy helyezze el, hogy a csatlakozódugó könnyen hozzáférhető, kihúzható legyen! • 29. Csak magáncélú felhasználás engedélyezett, ipari nem! • 30. A folyamatos továbbfejlesztések miatt műszaki adat és a dizájn előzetes bejelentés nélkül is változhat. • 31. Az aktuális használati utasítás letölthető a www.somogyi.hu weboldáról. • 32. Az esetleges nyomdahibákért felelősséget nem vállalunk, és elnézést kérünk.

FALRA SZERELÉS, ÜZEMBE HELYEZÉS sorrendje

1. Üzembe helyezés előtt óvatosan távolítsa el a csomagolóanyagot, nehogy megsértse a készüléket vagy a csatlakozóvezeteket. Bármilyen sérülés esetén tilos üzembe helyezni!
2. A készülék kizárólag száraz beltéri körülmények között használható!
3. A működéshez biztosítani kell a meleg levegő szabad áramlását, ezért a **2. ábrának** megfelelően válassza ki a falra rögzítés helyét! A készüléket tilos közvetlenül hálózati csatlakozóaljzat alatt elhelyezni!

- A mellékelt tipliknek fúrjon két megfelelő méretű furatot a falba, a padlószint felett min. 200 cm-re, vízszintes vonalba, egymástól 575 mm-re.
- Helyezze a tipliket a furatokba, majd a mellékelt csavarokat csavarozza be a tiplikbe úgy, hogy a csavarfejek a fal síkjából kb. 10 mm-t álljanak ki.
- Illesse a készülék hátlapján lévő furatokat a csavarokra, mozdítsa balra, majd engedje le ütközésig. Győződjön meg róla, hogy a fűtőkészülék stabilan van a falon!
- Csatlakoztassa a készüléket szabványos földelt fali csatlakozóaljzatba! Ezzel a készülék üzemkész.



Áramütésveszély! Tilos a készülék vagy tartozékainak szétszerelése, átalakítása! Bármely rész megsérülése esetén azonnal áramtalanítsa és forduljon szakemberhez.



Ha a hálózati csatlakozóvezeték megsérül, akkor a cserét kizárólag a gyártó, annak javító szolgáltatója vagy hasonlóan szakképzett személy végezheti el!



A készüléken lévő piktogram jelentése: **Tilos letakarni!** Letakarása túlmelegedést, tűzveszélyt, áramütést okozhat!

JELLEMZŐK

• ventilátoros fal PTC* fűtést beltéri helyiségek levegőjének fellemelegítésére • szabályozható teljesítmény (1100 / 2200 W) • üzemmódok meleg, forró levegő • kapcsolható légterelés • beépített termosztát • túlmelegedés elleni védelem • 8 órás kikapcsolás időzítés • heti program • hőmérséklet kijelző • távirányítóval

FELÉPÍTÉS (1. ábra)

1. hideg levegő bevezető nyílás • 2. főkapcsoló • 3. hálózati csatlakozókábel • 4. rögzítési pontok • 5. meleg levegő kivezető nyílás • 6. lengő légtérlet lamella • 7. kijelző • 8. 8 órás kikapcsolás időzítő • 9. fűtési fokozat választó • 10. csavarok, tiplik • 11. ventilátoros üzemmód visszajelző • 12. fűtési fokozat visszajelző • 1100 W • 13. fűtési fokozat visszajelző • 2200 W • 14. folyamatos légterelés visszajelző • 15. heti program visszajelző • 16. hőmérséklet állítás / ablaknyitás • érzelékes visszajelző • 17. belső kapcsoló • 18. ablaknyitás érzékelés • 19. fűtési fokozat választó • 20. folyamatos légterelés kapcsoló • 21. kikapcsolás időzítő • 22. hőmérséklet beállítás • 23. heti program • 24. választógombok • 25. OK • 26. kilépés

ÜZEMELTETÉS

A készülék a rajta található gombokkal, vagy távirányítóval üzemeltethető.

Általános használat

Miután csatlakoztatta a hálózathoz, a készüléket a főkapcsolójával (2) kapcsolja be. Ezt követően röviden szipol, a kijelző a szoba hőmérsékletét mutatja °C-ban. A készüléket a távirányító bekapcsoló gombjával (17) kapcsolhatja be. A készülék ekkor ventilátoros üzemmódban kapcsol be, nem fűt.

A távirányító (19) gombjával választhat fűtési fokozatot, vagy ventilátoros üzemmódot.

A készülék működését a termosztát beállításával is szabályozhatja. A távirányító (22) gombjával megmennyósával, majd a +/- választógombokkal állíthatja be a kívánt hőmérsékletet, 18 – 45 °C között. Ha a beállított hőmérséklet 1 – 2 °C-kal magasabb a mért hőmérsékletnél, a készülék alacsony fűtési fokozatban üzemel. Ha a beállított hőmérséklet legalább 3 °C-kal magasabb a mért hőmérsékletnél, a készülék magas fűtési fokozatban üzemel. Ha a szoba hőmérséklete eléri a beállított hőmérsékletet, a készülék ventilátoros üzemmódba kapcsol. Amikor a készülék termosztát szerinti üzemmódban működik, a kijelzőn folyamatosan világit ennek visszajelzője (16). Bármikor kikapcsolhatja a termosztát szerinti működést, ha a távirányító (19) gombjával fűtési fokozatot választ, vagy ha a távirányító (22) gombjával megmennyósá után megmennyósa a távirányító (23) gombjával.

A távirányító (18) gombjával kapcsolhatja be, illetve ki az ablaknyitás érzékelést. Ha a funkció aktív, a készülék kijelzőjén folyamatosan világít ennek visszajelzője (18). Ha a funkció aktív, a készülék a funkció bekapcsolása után 1 percre rögzíti a mért hőmérsékletet, majd 5 percnélkét összeveti ezzel az érzékelővel az aktuális mért hőmérséklettel. Ha az aktuális mért hőmérséklet legalább 8 °C-kal kevesebb, mint az eredetileg mért, a készülék energiatakarékosági okokból kikapcsol.

A távirányító (21) gombjával állíthat be a kikapcsolás időzítést, legfeljebb 8 órás időtartamra, óránként. A funkció úgy kapcsolhatja ki, ha 0 órát állít be kikapcsolás időzítésnek.

A távirányító (20) gombjával kapcsolhatja be, illetve ki a folyamatos légterelést. Ha a funkció aktív, a kijelzőn folyamatosan világit ennek visszajelzője (14).

A készülék elején lévő (9) gombbal bármikor bekapcsolhatja az üzemkész terméket. A gomb egyszer megmennyósával a készülék ventilátoros üzemmódba kapcsol. Ismételt megmennyósával alacsony fűtési fokozatba, ismételt megmennyósával magas fűtési fokozatba kapcsol. A gomb ismételt megmennyósával a termék folyamatos légterelését kapcsolhatja be, magas fűtési fokozat mellett. A gomb ismételt megmennyósával kikapcsolja a terméket.

A készülék kikapcsolás után még ventilátoros fokozatban üzemelhet körülbelül 30 másodpercig, ekkor a ventilátoros üzemmód visszajelző világos, és a készülék visszacsúszal. Amíg nem áll le a készülék, ne áramtalanítsa azt, mert az károsíthatja a készüléket.

Heti program

A heti program funkciót csak valamelyik fűtési fokozat használatá közben tudja szabályozni vagy aktiválni. Ventilátoros üzemmód mellett nem. A heti program funkció használatához be kell állítania a készüléknek a pontos időt és napot. Ezt minden áramtalanítás után meg kell tennie. Ha már állított be a készüléknek pontos időt, úgy azt nem tudja módosítani. Ilyenkor a (23) gomb megmennyósá után rögzjön a programokból tud választani. A pontos időt újra beállítani csak áramtalanítás, majd újiból áram alá helyezés után tudja.

HIBAELHÁRÍTÁS

Hibajelenség	A hiba lehetséges megoldása
Fűtés üzemmódban a készülék nem fűt.	Ellenőrizze a túlmelegedés elleni védelemnél leirtakat!
	Ellenőrizze a termosztát beállítását!
Sűrűn aktiválódnak a túlmelegedés elleni védelem.	Tisztítsa meg a készüléket!
A készülék nem reagál a távirányító jeleire.	Ellenőrizze a távirányító elemlet!

A pontos idő beállításához nyomja meg a távirányító (23) gombját. A kijelzőn 01 olvasható – a +/- választógombok segítségével állíthatja be a hét aktuális napját (01 – hétfő, 02 – kedd, stb.). Nyomja meg ismét a távirányító (23) gombját, ekkor a kijelzőn 00 olvasható. A +/- választógombok segítségével állíthatja be az aktuális percet. Nyomja meg ismét a távirányító (23) gombját, a kijelzőn ismét 00 olvasható. A +/- választógombok segítségével állíthatja be az aktuális percet. Nyomja meg ismét a távirányító (23) gombját, a kijelzőn P1 olvasható. A (23) gomb ismételt megmennyósával választhat programot P1 – P6-ig, az alábbi táblázat alapján:

Program	Hétfő	Kedd	Szerda	Csütörtök	Péntek	Szombat	Vasárnap
P1	8:00-17:00	8:00-17:00	8:00-17:00	8:00-17:00	8:00-17:00	8:00-17:00	8:00-17:00
P2	18:00-7:00	18:00-7:00	18:00-7:00	18:00-7:00	18:00-7:00	18:00-7:00	18:00-7:00
P3	8:00-17:00	8:00-17:00	8:00-17:00	8:00-17:00	8:00-17:00	OFF	OFF
P4	18:00-7:00	18:00-7:00	18:00-7:00	18:00-7:00	18:00-7:00	OFF	OFF
P5	OFF	OFF	OFF	OFF	OFF	00:00-23:59	00:00-23:59
P6	SET	SET	SET	SET	SET	SET	SET

*: a kikapcsolás időpontja másnapra esik

A P6-os program szabadon beállítható, a hét minden napjára beállíthat egy bekapcsolási és egy kikapcsolási időpontot. Ha a hét valamely napjára bekapcsolási és kikapcsolási időpontnak is 00-1 állít be, a készülék azon a napon nem hajt végre időzített programot. A program beállítása során csak egész órákat tud beállítani, perceket nem. Ügyeljen arra, hogy az adott napon a kikapcsolás időpontja a bekapcsolás időpontja utánra essen.

A program beállításához válassza ki a P6 programot, majd nyomja meg az OK gombot. Ezután a kijelzőn 1 villog – hétfő. Nyomja meg az OK gombot, a kijelzőn 00 világit, a +/- gombok segítségével állítsa be a bekapcsolás óráját. Nyomja meg az OK gombot, a kijelzőn 00 világit, a +/- gombok segítségével állítsa be a kikapcsolás óráját. Nyomja meg az OK gombot, a kijelzőn villog – kedd. Miután vasárnapra is beállította a kikapcsolás időpontját és megmennyósa az OK gombot, a program aktivál.

A P6 program kiválasztásakor minden esetben lehetséges van módosítani a korábban beállított programot. Az OK gomb többször, ismételt megmennyósával lépkehdhet végig a korábban beállított értékeken és akár módosíthatja, akár hagyhatja azokat.

A készülék áramtalanításakor a pontos időt és a P6 beállított programját elfelejti.

Bármely program választása esetén a készülék a legutóbb használt módban fog üzemelni – vagy valamelyik fűtési fokozatba, vagy a termosztátos üzemmódban beállított hőmérséklet érték szerint.

Ha aktív a heti program szerinti működés, a készülék kijelzőjén ennek visszajelzője (15) világit. Ha a program aktív, de az alapján a készülék éppen nem üzemel, úgy a visszajelző (15) villog.

Heti program szerinti működés közben bármikor be-, illetve kikapcsolhatja a folyamatos légterelést.

Bármely program választása esetén, ha kiválasztásakor a program szerint a készülék nem üzemelne, egyes esetekben a készülék 30 másodpercere ventilátoros üzemmódba kapcsol, majd csak utána áll le. A lengő légtérlet lamella nyitva marad.

Bármikor kikapcsolhatja a heti program szerinti működést, ha a távirányító (23) gombjával lép a programozásba, majd ezután megmennyósa a távirányító (26) gombját.

A túlmelegedés elleni védelem túlmelegedés esetén kikapcsolja a készüléket, pl. a levegő be- és kivezető nyílások letakarásakor. Áramtalanítsa a készüléket a csatlakozódugó kihúzásával. Hagyja lehűlni a készüléket (min. 30 perc). Ellenőrizze, szabadok-e a levegő be- és kivezető nyílások, ha ki, tisztítsa meg. Ismét helyezze üzembe a készüléket. Ha a túlmelegedés elleni védelem ekkor is aktiválódik, áramtalanítsa a készüléket a csatlakozódugó kihúzásával és forduljon szakszervízhez.

TISZTÍTÁS, KARBANTARTÁS

A készülék optimális működése érdekében a szennyeződés mértékétől függó gyakorisággal, de legalább havonta egyszer szükséges lehet a készülék tisztítása.

- Tisztítsa előt kapcsolja ki a készüléket, majd áramtalanítsa a csatlakozódugó kihúzásával!
- Hagyja lehűlni a készüléket (min. 30 perc).
- A levegő be- és kivezető nyílásokat porszívóval, kefével tisztítsa meg!
- Eryhén nedves ruhával tisztítsa meg a készülék külsejét. Ne használjon agresszív tisztítószereket! A készülék belsejébe, az elektromos alkatrészekre nem kerülhet víz!

MŰSZAKI ADATOK

tápellátás:230 V / -50 Hz
teljesítmény:1100 / 2200 W
maximális teljesítmény:2200 W
IP védettség:	IP20: Víz behatolása ellen nem védett!
fűtőtest mérete:65 x 25 x 15 cm
tömege:4,2 kg
csatlakozókábel hossza:1,5 m
hangnyomása:60 dB(A)

* A PTC (Positive Temperature Coefficient – pozitív hőmérséklet együttható) egy kerámia polikristály felületű, ötvözve báriummal és titániummal. Az igazi előnye, hogy rendelkezik hőmérséklet énszabályozó tulajdonsággal, így nem kell semmi óvintézkedés a túlmelegedés ellen, valamint jelentősen energiatakarékos a készülék.

Pred použitím si pozorne prečítajte tento návod na použitie a uschovajte ho. Tento návod je preklad originálneho návodu.

Spotrebič držte mimo dosahu detí do 3 rokov, okrem prípadu, keď deti máte neustále pod dozorom.

Deti staršie ako 3 roky a mladšie ako 8 rokov môžu spotrebič len za- a vypnúť za predpokladu, že je umiestnený a inštalovaný vo svojej normálnej prevádzkovej polohe, ak sú deti pod dozorom alebo sú poučení o bezpečnom používaní spotrebiča a pochopia možné nebezpečenstvá pri používaní výrobku.

Spotrebič nie je určený na používanie osobami so zníženými fyzickými, zmyslovými alebo mentálnymi schopnosťami, alebo s nedostatkom skúseností a vedomostí, vrátane detí od 8 rokov, používať ho môžu len pokiaľ im osoba zodpovedá za ich bezpečnosť, poskytuje dohľad alebo ich poučí o bezpečnom používaní spotrebiča a pochopia nebezpečenstvá pri používaní výrobku. Deti by mali byť pod dohľadom, aby sa so spotrebičom nehrali. Čistenie alebo údržbu výrobku môžu vykonať deti len pod dohľadom.

POZOR: Niektoré časti tohto spotrebiča môžu byť horúce a môžu spôsobiť popáleniny. Obzvlášť treba dávať pozor, keď sú v prítomnosti spotrebiča deti a osoby so zníženými fyzickými a mentálnymi schopnosťami.

UPOZORNENIA

1. Skontrolujte, či sa prístroj nepoškodil počas prepravy! • 2. Prístroj namontujte výlučne na zvislý povrch! • 3. Pri montáži berte do úvahy základný materiál a zaťaženie steny! • 4. Prístroj namontujte vo výške najmenej 2 m od podlahy! • 5. Neumiestňujte ho priamo do rohu, dodržiavajte minimálne vzdialenosti podľa obrazu č. 2. Berte ohľad na bezpečnostné pokyny, ktoré môžu byť daným štátom špecifické! • 6. Pred pripojením k elektrickej sieti sa presvedčte či je prístroj stabilne namontovaný na stenú! • 7. Prístroj je určený výlučne na ohrievanie vzduchu, nie na všeobecné ohrievanie. • 8. Otvor vývodu vzduchu nikdy nesmerujte priamo na záclony alebo iné horľavé látky! • 9. Pri umiestnení dbajte na to, aby ste prístroj neumiestnili v bezprostrednej blízkosti horľavých látok! (min. 100 cm) • 10. Prístroj je zakázané používať tam, kde sa môžu uvoľniť horľavé plyny alebo prach! Nepoužívajte v prostredí, kde hrozí nebezpečenstvo výbuchu! • 11. Prístroj prevádzkujte len pod stálym dozorom! • 12. Nenechajte bez dozoru v blízkosti detí! • 13. Len na vnútorné použitie! Chráňte pred vlhkým prostredím (napr. kúpeľňa, plaváreň)! • 14. Použitie zariadenia v blízkosti vane, umývadla, sprchy, bazénu alebo sauny je ZAKÁZANÉ! • 15. Prístroj nepoužívajte v motorových vozidlách alebo v úzkych, uzavretých miestnostiach (< 5 m², napr. výťah)! • 16. Ak prístroj nepoužívate dlhší čas, vypnite a odpojte ho od elektrickej siete vytiahnutím sieťovej zástrčky! Prístroj skladujte na suchom a chladnom mieste! • 17. Pred premiestnením ohrievača, odpojte ho od elektrickej siete! • 18. Prístroj je zakázané umiestniť bezprostredne pod sieťovú zásuvku! • 19. Ak počas používania zistíte akúkoľvek poruchu (napr. zvýšený hluk alebo cítite zvláštny zápach), okamžite vypnite prístroj a odpojte ho od elektrickej siete! • 20. Dbajte na to, aby sa cez otvory do prístroja nedostali žiadne predmety, voda alebo tekutina! • 21. Chráňte pred prachom, parou, priamym slnečným a tepelným žiarením! • 22. Pred čistením prístroj odpojte z elektrickej siete vytiahnutím zástrčky zo zásuvky! • 23. Ohrievača a pripojovacieho kábla sa nikdy nedotknite mokrou rukou! • 24. Pripojovací kábel rozmoťajte po jeho celej dĺžke! • 25. Pripojte len do uzemnenej zásuvky s napätím 230 V~ / 50 Hz! • 26. Pri pripojení prístroja do elektrickej siete nepoužívajte predlžovací privod alebo rozbočovač! • 27. Pripojovací kábel nevedte cez prístroj alebo v blízkosti otvoru teplého/studeného vzduchu! • 28. Prístroj umiestnite tak, aby bol zabezpečený jednoduchý prístup k zástrčke a aby bolo možné napájací kábel kedykoľvek jednoducho vytiahnuť! • 29. Len pre domáce účely, priemyselné použitie je zakázané! • 30. Výrobca si vyhradzuje právo zmeniť technické parametre a dizajn výrobku kedykoľvek bez predchádzajúceho upozornenia. • 31. Aktuálny návod na použitie nájdete na stránke: www.somogyi.sk • 32. Za prípadné chyby v tlači nezodpovedáme a ospravedlňujeme sa za ne.

MONTÁŽ NA STENU A UVEDENIE DO PREVÁDZKY

1. Pred uvedením do prevádzky opatrne odstráňte baliaci materiál, aby sa nepoškodil prístroj alebo jeho privodný kábel. V prípade akéhokoľvek poškodenia je zakázané prístroj uviesť do prevádzky!
2. Len na vnútorné použitie!
3. Pre správnu činnosť je potrebné zabezpečiť voľné prúdenie teplého vzduchu, preto pri umiestnení na stenu prístroja sa riadte podľa **obr. č. 2!** Umiestniť prístroj pod zásuvku elektrickej siete je zakázané!
4. Pre priložené hmoždinky vyvrtajte dva otvory do steny vo výške min. 200 cm nad úrovňou podlahy, vodorovne vo vzdialenosti 575 mm od seba.
5. Do otvorov vložte hmoždinky a zaskrutkujte priložené skrutky tak, aby hlavy skrutiek vyčnievali asi 10 mm od steny.

6. Priložte prístroj s otvorní na zadnej strane na skrutky, pohnite s ním doprava a pusťte dole až na doraz. Presvedčte sa o stabilnej montáži prístroja!
7. Prístroj zapojte do normalizovanej uzemnenej zásuvky elektrickej siete! Týmto je prístroj prevádzkyschopný.



Nebezpečenstvo úrazu prúdom! Rozoberať, prerábať prístroj alebo jeho príslušenstvo je prísne zakázané! V prípade akéhokoľvek poškodenia prístroja alebo jeho súčasti okamžite ho odpojte od elektrickej siete a obráťte sa na odborný servis!



Ak sa sieťový kábel poškodí, výmenu kábla zverte výrobcovi alebo odbornému servisu!



Význam piktogramu: Prístroj nezakryte! Zakrytie prístroja môže spôsobiť prehriatie, nebezpečenstvo požiaru a úder elektrickým prúdom!

CHARAKTERISTIKA

• ventilátorový nástenný PTC* ohrievač na ohrievanie interiéru • regulovateľný výkon (1100 / 2200 W) • režimy: teplý, horúci vzduch • zapínateľná oscilácia • zabudovaný termostat • ochrana proti prehriatiu • 8 h časová vypnutia • týždenný program • zobrazenie teploty • s diaľkovým ovládačom

KONŠTRUKCIA (1. obrázok)

1. vstupný otvor studeného vzduchu 2. hlavný spínač 3. sieťový napájací kábel 4. upevňovacie body 5. výstupný otvor teplého vzduchu 6. oscilujúca klapka 7. displej 8. h časová vypnutia 9. výber stupňa ohrievania 10. skrutky, hmoždinky 11. kontrolka ventilátorového režimu 12. kontrolka stupňa ohrievania – 1100 W 13. kontrolka stupňa ohrievania – 2200 W 14. kontrolka priebežnej oscilácie 15. kontrolka týždenného programu 16. kontrolka nastavenia teploty / otvorenia okna 17. za- / vypínač 18. senzor otvorenia okna 19. výber stupňa ohrievania 20. spínač priebežnej oscilácie 21. časová vypnutia 22. nastavenie teploty 23. týždenný program 24. tlačidlo výberu 25. OK 26. výstúpiť

PREVÁDZKA PRÍSTROJA

Prístroj sa dá ovládať pomocou tlačidla alebo diaľkového ovládača.

Používanie

Po pripojení k elektrickej sieti prístroj môžete zapnúť pomocou hlavného spínača (2). Prístroj krátko zapípa a na displeji za zobrazí nastavená teplota v °C. Prístroj môžete zapnúť pomocou tlačidla za- a vypnutia (17). Prístroj sa zapne do režimu ventilátora, neohrieva.

Pomocou tlačidla (19) na diaľkovom ovládači môžete zapínať stupne ohrievania alebo zapnúť ventilátorový režim.

Prevádzku prístroja môžete regulovať aj pomocou termostatu. Teplotu môžete nastaviť na diaľkovom ovládači pomocou tlačidla (22) a +/- v rozsahu 18 – 45 °C. Keď nastavená teplota je vyššia ako 1 – 2 °C ako nameraná hodnota, prístroj začne ohrievať na nízkom stupni. Keď nastavená teplota je vyššia ako 3 °C ako nameraná hodnota, prístroj začne ohrievať na vyššom stupni. Keď teplota v miestnosti dosiahne nastavenú hodnotu, prístroj sa prepne do ventilátorového režimu. Keď prístroj má nastavený režim termostatu, na displeji svieti jeho kontrolka (16). Režim termostatu môžete kedykoľvek vypnúť, keď pomocou tlačidla (19) na diaľkovom ovládači si vyberiete stupeň ohrievania alebo po stlačení tlačidla (22) na diaľkovom ovládači stlačíte aj tlačidlo (26) na diaľkovom ovládači.

Pomocou tlačidla (18) na diaľkovom ovládači môžete za- a vypnúť senzor otvorenia okna. Keď je funkcia aktívna, na displeji svieti jej kontrolka (16). Keď je funkcia aktívna, prístroj 1 min. po zapnutí si uloží nameranú teplotu a po každých 5 min. porovná túto hodnotu s aktuálne nameranou hodnotou. Keď aktuálne nameraná teplota je nižšia ako 8 °C ako pôvodne meraná teplota, prístroj z dôvodu úspory energie vypne ohrievanie.

Pomocou tlačidla (21) na diaľkovom ovládači môžete nastaviť časovú vypnutia, najviac na 8 hodín v 1 h krokoch. Funkciu môžete vypnúť tak, že časovú nastavíte na 0 hod.

Pomocou tlačidla (20) na diaľkovom ovládači môžete za- a vypnúť priebežnú osciláciu. Keď je funkcia aktívna, na displeji svieti jej kontrolka (14).

Pomocou tlačidla (9) na prednej strane prístroja môžete kedykoľvek zapnúť prístroj. Na jedno stlačenie prístroj sa zapne do ventilátorového režimu. Na druhé stlačenie začne ohrievať na nízkom stupni, na tretie stlačenie začne ohrievať na vysokom stupni. Ďalším stlačením prístroj začne ohrievať na vysokom stupni s priebežnou osciláciou. Ďalším stlačením tohto tlačidla môžete prístroj vypnúť.

Po vypnutí prístroj ešte bude prevádzkovať ventilátor cca. 30 sekúnd, kontrolka režimu ventilátora bliká a prístroj odpočítava čas. Neodpojte prístroj od elektrickej energie, kým sa nezastaví, lebo prístroj sa môže poškodiť.

Týždenný program

Funkciu týždenného programu môžete regulovať alebo aktivovať iba pri zapnutom režime ohrievania, vo ventilátorovom režime nie. Pre používanie týždenného programu treba nastaviť presný čas a dátum. Tohto musíte urobiť po každom odpojení od elektrickej energie. Keď ste už nastavili presný čas, len to noviete určiť. Vtedy po stlačení tlačidla (23) hneď si viete vybrať z

programov. Opäť nastaviť presný čas viete iba po odpojení a opätovnom zapojení do elektrickej energie.

Pre nastavenie presného času stlačte tlačidlo (23) na diaľkovom ovládači. Na displeji sa zobrazí 01 – a pomocou tlačidla +/- môžete nastaviť aktuálny deň v týždni (01 – pondelok, 02 – utorok, atď.). Stlačte znovu tlačidlo (23) na diaľkovom ovládači, na displeji sa zobrazí 00. Pomocou tlačidla +/- môžete nastaviť aktuálnu hodinu. Stlačte znovu tlačidlo (23) na diaľkovom ovládači, na displeji sa znovu zobrazí 00. Pomocou tlačidla +/- môžete nastaviť aktuálne minúty. Stlačte znovu tlačidlo (23) na diaľkovom ovládači, na displeji sa znovu zobrazí P1. Ďalším stlačením tlačidla (23) môžete nastaviť program P1 – P6, podľa nasledujúcej tabuľky:

Program	Pondelok	Utorok	Streda	Štvrtok	Piatok	Sobota	Nedeľa
P1	8:00-17:00	8:00-17:00	8:00-17:00	8:00-17:00	8:00-17:00	8:00-17:00	8:00-17:00
P2	18:00-7:00	18:00-7:00	18:00-7:00	18:00-7:00	18:00-7:00	18:00-7:00	18:00-7:00
P3	8:00-17:00	8:00-17:00	8:00-17:00	8:00-17:00	8:00-17:00	OFF	OFF
P4	18:00-7:00	18:00-7:00	18:00-7:00	18:00-7:00	18:00-7:00	OFF	OFF
P5	OFF	OFF	OFF	OFF	OFF	00:00-23:59	00:00-23:59
P6	SET	SET	SET	SET	SET	SET	SET

*čas vypnutia bude na ďalší deň

Program P6 je voľne nastaviteľný, na každý deň môžete nastaviť jeden čas zapnutia a jeden čas vypnutia. Keď na niektorý deň nastavíte 00 aj na čas zapnutia aj na čas vypnutia, prístroj v ten deň nebude mať nastavený časový program. Počas nastavenia programu môžete zadať len hodiny, minúty nie. Dbajte na to, aby v daný deň čas vypnutia bol zadany správne až po čas zapnutia.

Na nastavenie programu zvolte program P6, potom stlačte tlačidlo OK. Na displeji bliká 1 – pondelok. Stlačte tlačidlo OK, na displeji svieti 00, pomocou tlačidla +/- nastavte čas zapnutia. Stlačte tlačidlo OK, na displeji svieti 00, pomocou tlačidla +/- nastavte čas vypnutia. Stlačte tlačidlo OK, na displeji bliká 2 – utorok. Keď ste už nastavili čas vypnutia aj na nedeľu a stlačili ste tlačidlo OK, program je aktívny.

V prípade programu P6 máte možnosť kedykoľvek zmeniť nastavený program. Stlačením tlačidla OK môžete krovať medzi nastavenými hodnotami, pričom môžete ich zmeniť alebo aj nechať tak.

Pri výpadku elektrickej energie, odpojením od elektriny, vymaže sa presný čas a nastavený program P6.

V prípade ktoréhokoľvek programu, prístroj sa bude prevádzkovať podľa naposledy nastaveného režimu – alebo v niektorom stupni ohrievania alebo podľa nastavenej teploty režimu termostatu.

Keď týždenný program je aktívny, na displeji svieti jeho kontrolka (15). Keď program je aktívny, ale prístroj sa práve neprevádzkuje podľa toho, tak kontrolka (15) bliká.

Počas prevádzky týždenného programu môžete priebežnú osciláciu kedykoľvek za- alebo vypnúť.

V prípade ktoréhokoľvek programu, keď prístroj nefunguje podľa daného programu, v niektorých prípadoch sa prístroj prepne na 30 sekúnd do ventilátorového režimu, až potom sa vypne. Oscilujúce klapky zostanú otvorené.

Týždenný program môžete kedykoľvek vypnúť, keď pomocou tlačidla (23) na diaľkovom ovládači vsťúpite do programovania, a potom stlačte tlačidlo (26) na diaľkovom ovládači.

Ochrana proti prehriatiu vypne prístroj v prípade prehriatia prístroja, napr. pri zakrytí vstupného alebo výstupného otvoru vzduchu. Prístroj odpoje od elektrickej siete vytláchnutú elektrickú zásuvku. Nechajte prístroj vychladnúť (min. 30 minút). Skontrolujte otvor vstupu a výstupu vzduchu; v prípade potreby ich vyčistite. Potom prístroj znovu zapnite. Ak sa aj potom aktivuje ochrana proti prehriatiu, odpojte prístroj z elektrickej siete vytláchnutou zo zásuvky a obráťte sa na odborný servis.

ČISTENIE, ÚDRŽBA

Za účelom optimálnej prevádzky prístroja je potrebné prístroj čistiť v závislosti od stupňa znečistenia, ale aspoň raz mesačne.

1. Pred čistením vypnite prístroj a odpojte od elektrickej siete vytláchnutú pripojovacej vidlice zo zásuvky!
2. Prístroj nechajte vychladnúť (min. 30 min).
3. Vstupné a výstupné otvory vzduchu vyčistíte pomocou vysávača s kefovým nástavcom!
4. Prístroj podliehajúce zvonka mierne vlhku uterútkou! Nepoužívajte agresívne čistiace prostriedky! Dbajte na to, aby sa do vnútra prístroja a na elektrické súčiastky nedostala voda!

RIEŠENIE PROBLÉMOV

Problém	Riešenie problému
Prístroj neohrieva v režime ohrievania.	Prečítajte si pokyny v odseku ochrana proti prehriatiu! Skontrolujte nastavenie termostatu!
Ochrana proti prehriatiu sa zapína príliš často.	Vyčistite prístroj!
Prístroj nereaguje na diaľkový ovládač.	Skontrolujte batérie diaľkového ovládača!

TECHNICKÉ ÚDAJE

napájanie:230 V~ /50 Hz
výkon:1100 / 2200 W
maximálny výkon:2200 W
IP ochrana: IP20. Bez ochrany proti vytláchnutiu vody!
rozmery ohrievača:85 x 25 x 15 cm
hmotnosť:4,2 kg
dĺžka napájacieho kábla:1,5 m
hlučnosť:60 dB(A)

* PTC (Positive Temperature Coefficient – kladný teplotný koeficient) je zliatina keramikého polykristalického polovodiča s bariom a titánom. Jeho hlavnou výhodou je, že má teplotné samoregulačné vlastnosti, takže nepotrebuje protopatria pre prípad prehriatia a zariadenie je tiež energeticky veľmi úsporné.

Înainte de punerea în funcțiune a aparatului, vă rugăm citiți instrucțiunile de utilizare de mai jos și păstrați-le. Originalul a fost redactat în limba maghiară.

Copiii sub 3 ani trebuie ținuti departe de dispozitiv, cu excepția cazului în care sunt sub supraveghere permanentă.

Copiii cu vârsta între 3 și 8 ani au voie numai să oprească și să pornească aparatul, dacă aparatul este instalat și poziționat în condiții normale de utilizare, și în cazul în care sunt supravegheați de către o persoană care răspunde de siguranța lor, sau sunt informați cu privire la funcționarea aparatului în condiții de siguranță și au înțeles ce pericole pot rezulta din utilizarea necorespunzătoare.

Acest aparat nu este destinat utilizării de către persoane cu capacități fizice, senzoriale sau mentale diminuate, ori de către persoane care nu au experiență sau cunoștințe suficiente (inclusiv copiii), copiii peste 8 ani pot utiliza aparatul în cazul în care sunt supravegheați de către o persoană care răspunde de siguranța lor, sau sunt informați cu privire la funcționarea aparatului în condiții de siguranță și au înțeles ce pericole pot rezulta din utilizarea necorespunzătoare. În cazul copiilor supravegherea este recomandabilă pentru a evita situațiile în care copiii se joacă cu aparatul. Curățarea sau utilizarea produsului de către copii este permisă numai cu supravegherea unui adult.

ATENȚIE: Unele părți ale aparatului pot deveni foarte fierbinți și pot cauza arsuri. Este necesară precauție sporită dacă sunt prezenți copii sau persoane cu capacități fizice, senzoriale sau mentale diminuate.

ATENȚIONĂRI

1. Asigurați-vă că aparatul a rămas intact în cursul transportului! • 2. Montați aparatul exclusiv pe o suprafață verticală! • 3. La montare să aveți în vedere materialul și capacitatea portantă a peretelui! • 4. Aeroterma trebuie montată la o înălțime de cel puțin 2 m față de nivelul podelei! • 5. Nu instalați aparatul în colț, respectați distanțele minime de instalare descrise în figura 2! Țineți cont de prevederile de siguranță valabile în țara Dvs.! • 6. Înainte de a conecta aparatul la rețeaua electrică, asigurați-vă că este bine fixat și stă stabil pe perete! • 7. Aparatul a fost proiectat doar pentru încălzirea aerului și nu în scopuri generale de încălzire. • 8. Nu direcționați fluxul de aer cald pe perdele sau pe alte materiale inflamabile! • 9. Nu poziționați aparatul în apropierea unor materiale inflamabile! (min. 100 cm) • 10. Este interzisă utilizarea în mediul în care se pot degaja vapori inflamabili sau praf explozibil! Nu utilizați în mediu inflamabil sau cu pericol de explozie! • 11. Poate fi utilizat doar cu supraveghere continuă! • 12. Este interzisă exploatarea fără supraveghere în apropierea copiilor! • 13. Poate fi utilizat doar în interior, în mediu uscat! Protejați produsul de mediul umed (de ex. baie, bazin de înot)! • 14. Este INTERZISĂ utilizarea în apropierea vanelor, lavoarelor, dușurilor, bazinelor de înot ori a saunelor! • 15. Se interzice utilizarea în autovehicule sau în spații mici (< 5 m²), închise (de ex. lift)! • 16. În cazul în care nu veți utiliza produsul o perioadă mai lungă de timp, opriți-l și scoateți cablul de alimentare din priză de rețea! Depozitați într-un loc uscat și răcoros! • 17. Înainte de deplasarea produsului, întotdeauna scoateți-l de sub tensiunea de rețea! • 18. Este interzisă poziționarea produsului sub prizele de rețea! • 19. În cazul în care sesizați orice neregulă (de ex. auziți zgomote ciudate din interiorul aparatului sau simțiți miros de ars), opriți imediat aparatul și scoateți-l de sub tensiunea de rețea! • 20. Asigurați-vă că prin orificiile aparatului nu va pătrunde nici un obiect sau lichid în interior. • 21. Protejați aparatul de praf, aburi, razele solare directe și radiațiile termice! • 22. Înainte de curățare întotdeauna scoateți aparatul de sub tensiune prin extragerea fișei din priză de rețea! • 23. Nu atingeți aparatul sau cablul de alimentare cu mâna umedă! • 24. Desfășurați în întregime cablul de alimentare! • 25. Se va conecta exclusiv la o priză standard de rețea cu împământare, cu tensiunea de 230 V~ / 50 Hz! • 26. Nu utilizați prelungitor sau distribuitor la conectarea aparatului în rețeaua electrică! • 27. Nu conduceți cablul de alimentare peste aparat sau în apropierea orificiilor de admisie și evacuare a aerului! • 28. Așezați aparatul în așa fel, încât fișa cablului de alimentare să poată fi ușor de îndepărtat din priză de rețea! • 29. Este permisă doar utilizarea casnică, nu și cea industrială! • 30. Datorită îmbunătățirii continue a produselor, unele date tehnice și de design pot fi modificate fără o înștiințare prealabilă. • 31. Actualul manual de utilizare poate fi descărcat de pe site-ul www.somogyi.ro • 32. Nu ne asumăm răspunderea pentru eventualele greșeli de tipar și ne cerem scuze în acest sens.

MONTAREA PE PERETE, PUNEREA ÎN FUNCȚIUNE – ordinea operațiunilor

1. Înainte de punerea în funcțiune, îndepărtați cu precauție materialele de ambalare, pentru a nu deteriora produsul sau cablul de alimentare. În cazul sesizării oricărei defecțiuni sau deteriorări, punerea în funcțiune este interzisă!
2. Aparatul poate fi utilizat doar în interior, în mediu uscat!

3. Pentru funcționarea aparatului asigurați calea liberă a fluxului de aer cald, astfel alegeți locul de montare pe perete în conformitate cu **figura 2!** Este interzisă poziționarea aparatului chiar sub prizele de rețea!
4. Pentru diblurile furnizate găuriți în perete două găuri potrivite, cu min. 200 cm deasupra nivelului pardoselii, orizontal, la distanță de 575 mm.
5. Așezați diblurile în găuri și introduceți șuruburile în acestea, până va rămâne o lungime de cca. 10 mm față de planul peretelui în exterior.
6. Aliniați găurile din spatele dispozitivului pe șuruburi, mișcați-l spre dreapta și apoi coborâți-l până la oprire. Asigurați-vă că aparatul este montat stabil pe perete!
7. Conectați aparatul la o priză standard cu împământare! Astfel aparatul este pregătit pentru funcționare.



Pericol de electrocutare! Este interzisă demontarea sau modificarea aparatului ori a părților componente ale acestuia. În cazul avariei oricărei părți a aparatului, scoateți imediat aparatul de sub tensiune și solicitați asistență de la o persoană calificată!



În cazul în care cablul de alimentare de la rețeaua electrică se defectează schimbarea acestuia poate fi efectuată exclusiv de către producător, de service-ul acestuia sau de către o persoană cu o calificare similară!



Semnificația pictogramei de pe aparat: Acoperirea este interzisă!
Acoperirea poate provoca supraîncălzire, incendiu, șoc electric!

CARACTERISTICI

• aerolermă de perete PTC* pentru încălzirea aerului din încăperi • putere reglabilă (1000 / 2000 W) • moduri de funcționare: aer cald, fierbințe • termostat încorporat • protecție la supraîncălzire • temporizare oprire pe 8 ore • program săptămânal • afișare temperatură • cu telecomandă

CONSTRUCȚIE (Figura 1.)

1. orificiu admisie aer rece 2. comutator principal 3. comutator încălzire rapidă 4. cablu de conectare la rețea 5. puncte de fixare 6. orificiu evacuare aer cald 7. ecran 8. temporizator oprire 8 ore 9. selectare treaptă de încălzire 10. șuruburi, dibluri 11. indicator mod de funcționare ventilator 12. indicator treaptă de încălzire - 1100 W 13. indicator treaptă de încălzire - 2200 W 14. indicator direcționare continuă a aerului 15. indicator program săptămânal 16. mod de funcționare termostat / indicator sesizare deschidere geam 17. comutator pomire/oprire 18. sesizare deschidere geam 19. selectare treaptă de încălzire 20. comutator direcționare continuă a aerului 21. temporizator oprire 22. setare temperatură 23. program săptămânal 24. butoane selectare 25. OK 26. ieșire.

UTILIZARE

Aparatul poate fi comandat cu ajutorul butoanelor sau prin telecomandă.

Utilizare generală

După conectarea la rețea, activați dispozitivul cu comutatorul principal (2). Se va emite un semnal sonor scurt, pe ecran apare temperatura măsurată în °C. Puteți porni aparatul apăsând butonul de pomire / oprire (17) de pe telecomandă. Aparatul pornește în modul ventilator și nu încălzeste. Utilizați butonul (19) de pe telecomandă pentru a selecta nivelul de încălzire sau modul ventilator.

Puteți regla funcționarea dispozitivului și prin setarea termostatului. Prin apăsarea butonului (22) de pe telecomandă, după care cu butoanele +/- puteți seta temperatura dorită între 19 - 45 °C. În cazul în care temperatura din încăpere scade cu 1-2 °C sub cea setată, aparatul va porni încălzirea la treapta inferioară. În cazul în care temperatura din încăpere este cu min. 3 °C mai scăzută decât cea setată, aparatul va porni în treapta superioară de încălzire. Dacă temperatura din încăpere ajunge la valoarea setată, aparatul se va cupla în modul cu ventilator. Când aparatul este afiș în modul termostat, indicatorul (19) de pe telecomandă va fi afișat. Puteți opri oricând funcția pe bază de termostat apăsând butonul (21) de pe telecomandă sau apăsând butonul (22) de pe telecomandă după care apăsați butonul (19) de pe telecomandă.

Utilizați butonul (18) de pe telecomandă pentru a activa sau dezactiva funcția de detectare a deschiderii ferestrelor. Dacă funcția este activă, indicatorul (16) clipește continuu pe afișaj. Dacă funcția este activă aparatul înregistrează temperatura măsurată la 1 minut după ce funcția este pornită și apoi compară temperatura măsurată la fiecare 5 minute. Dacă temperatura curentă măsurată este cu cel puțin 8 °C mai mică decât valoarea măsurată inițial, unitatea se va opri din motive de economisire a energiei.

Cu butonul (21) al telecomenzii puteți seta temporizarea pentru oprire, durata maximă de 8 ore, în trepte de 0 oră. Dacă funcția este activă, pe ecran luminează continuu indicatorul acestuia (12). Puteți dezactiva această funcție prin setarea orei 0 pentru temporizatorul de oprire.

Cu butonul (20) al telecomenzii puteți porni respectiv opri direcționarea continuă a aerului. Dacă funcția este activă, pe ecran luminează continuu indicatorul acestuia (14).

Puteți porni produsul pregădit pentru utilizare oricând prin apăsarea butonului (9) din partea frontală a produsului. După o dată pe buton, aparatul se va cupla în modul ventilator.

Apăsând din nou se cuplează în treapta de încălzire rapidă, apăsând din nou, în treapta de încălzire normală. Prin apăsarea repetată a butonului, porniți direcționarea continuă a aerului, la treapta de nivel ridicat de încălzire. Puteți opri dispozitivul apăsând din nou acest buton.

După oprire, aparatul poate funcționa încă în modul ventilator timp de aproximativ 30 de secunde, indicatorul de stare pregătit clipește. Nu îl deconectați până nu se oprește, deoarece acest lucru poate deteriora dispozitivul.

Program săptămânal

Puteți controla sau activa funcția de program săptămânal numai în timpul utilizării uneia dintre treptele de încălzire, dar nu în modul ventilator. Pentru utilizarea funcției de program săptămânal trebuie setat ziua și ora exactă. Acest lucru trebuie efectuat după fiecare întrerupere de curent/alimentare.

Dacă afiș setat deja ori exactă pe dispozitiv, nu îl mai puteți modifica. În aceste cazuri după apăsarea butonului (23) puteți selecta dintre programe. Timpul exact poate fi setat din nou numai

DEPANARE

Defect sesizat	Rezolvarea probabilă
Aparatul nu încălzeste în modul de funcționare setat pe încălzire.	Verificați cele scrise în capitolul protecției la supraîncălzire! Verificați configurarea termostatului!
Protecția pentru supraîncălzire se activează prea des.	Curățați aparatul!
Aparatul nu răspunde la semnalele telecomenzii.	Verificați starea bateriilor din telecomandă!

după ce alimentarea este oprită și apoi pornită din nou.

Pentru a seta timpul exact apăsați butonul (23) al telecomenzii. Pe ecran apare 01 - cu butoanele +/- puteți seta ziua actuală a săptămânii (01 - luni, 02 - marți, etc.). Apăsați din nou butonul (23) al telecomenzii, atunci pe ecran este vizibil 00. Cu butoanele +/- puteți seta ora actuală. Apăsați din nou butonul (23) de pe telecomandă, pe ecran apare din nou 00. Cu butoanele +/- puteți seta minutele actuale. Apăsați din nou butonul (23) de pe telecomandă, pe ecran apare P1. Prin apăsarea repetată a butonului (23) puteți selecta programul P1 - P6, conținând tabelul de mai jos:

*: timpul de oprire este în următoarea zi

Programul P6 poate fi setat liber și puteți seta un timp de pomire și oprire pentru fiecare zi a săptămânii. Dacă setați timpuri de pomire și oprire pentru o zi a săptămânii la 00, dispozitivul nu va efectua program temporizat în acea zi. Pe parcursul programării puteți seta numai ore întregi, minute nu. Aveți grijă că în ziua setată timpul opririi să fie după timpul de pomire.

Pentru setarea programului selectați programul P6, după care apăsați butonul OK. Pe ecran clipește 1 - luni. Apăsați butonul OK, pe ecran luminează 00, cu ajutorul butoanelor +/- setați ora de pomire. Apăsați butonul OK, pe ecran luminează 00, cu ajutorul butoanelor +/- setați ora de oprire. Apăsați butonul OK, pe ecran clipește 2 - marți. După ce ați setat ora de oprire și pentru duminică și ați apăsă butonul OK, programul este activ.

La selectarea programul P6, puteți schimba întotdeauna programul setat anterior. Apăsați OK de mai multe ori, în mod repetat, pentru a derula valorile setate anterior și puteți să le schimbați sau să le lăsați.

La deconectarea dispozitivului, acesta uită timpul exact și programul setat P6.

La selectarea oricărui program, aparatul va funcționa în modul cel mai recent utilizat - fie între-ună dintre treptele de încălzire, fie în funcție de temperatura setată în modul termostat.

Când funcționarea pe baza programului săptămânal este activ, luminează indicatorul (15) de pe afișajul aparatului.

Dacă programul este activ, dar dispozitivul nu funcționează pe baza lui, indicatorul (15) clipește.

În timpul funcționării săptămânale puteți activa sau dezactiva direcționarea continuă a aerului în orice moment.

La selectarea oricărui program, dacă în momentul selecționării programului nu funcționează pe baza programului, în unele cazuri unitatea va trece în modul ventilator timp de 30 de secunde și apoi se va opri.

Puteți opri oricând funcționarea săptămânală, dacă cu butonul (23) al telecomenzii intrați în secțiunea programare, după care apăsați butonul (26) al telecomenzii

Protecția la supraîncălzire oprește aparatul în caz de supraîncălzire, de exemplu în cazul în care orificiile de admisie și evacuare a aerului au fost acoperite. Scoateți aparatul de sub tensiune prin extragerea fișei din priză. Așteptați să se răcească (min. 30 minute). Verificați orificiile de intrare și ieșire a aerului și asigurați-vă că nu sunt obturate: curățați aparatul dacă este nevoie. Reporniți aparatul. Dacă protecția împotriva supraîncălzirii se activează din nou, scoateți aparatul din priză și adresați-vă unui service specializat.

CURĂȚARE, ÎNTREȚINERE

În vederea funcționării optime, aparatul trebuie curățat periodic. Frecvența curățării depinde de cantitatea impurităților opuse, însă aparatul nu necesită curățare decât cel puțin odată pe lună.

1. Înainte de curățare opriți aparatul și scoateți fișa cablului de alimentare din priză!
2. Lăsați aparatul să se răcească (min. 30 minute).
3. Curățați cu peria aspiratorului orificiile de intrare și evacuare a aerului!
4. Curățați exteriorul aparatului cu o lăvează umedă. Nu folosiți soluții de curățare agresive! Nu

DATE TEHNICE

alimentare:..... 230 V ~ / 50 Hz
putere:..... 1100 / 2200 W
putere maximă:..... 2200 W
clasa de protecție IP: IP20: Nu este protejat împotriva pătrunderii apei!
dimensiuni:..... 65 x 25 x 15 cm
greutate:..... 4,2 kg
lungime cablu de alimentare:..... 1,5 m
nivel de zgomot:..... 60 dB(A)

* PTC (Positive Temperature Coefficient - coeficient pozitiv de temperatură) este un semiconductor policristalin de ceramică, cu aliaj de bariu și titan. Adevăratul avantaj al materialului este că dispune de capacitatea de autoreglare a temperaturii. Astfel nu necesită precauții pentru o eventuală supraîncălzire, totodată fiind un aparat extrem de economic în privința consumului.

Pre prve upotrebe pročitajte ovo uputstvo i sačuvajte ga. Originalno uputstvo je pisano na mađarskom jeziku.

Decu mlađu od 3 godine ne puštati u blizinu uređaja, izuzev ako postoji konstantan nadzor odrasle odgovorne osobe.

Daca između 3 i 8 godina uređaj smeju samo da isključuju i uključuju ali samo u slučajevima ukoliko je uređaj montiran pravilno, u normalnim uslovima rada ili su pod nadzorom, ako su upućeni u njeno bezbedno i pravilno rukovanje.

Ovaj uređaj nije predviđen za upotrebu licima sa smanjenom mentalnom ili psihofizičkom mogućnošću, odnosno neiskusnim licima uključujući i decu, deca starije od 8 godina smeju da rukuju ovim uređajem samo u prisustvu odrasle osobe ili da su upućeni u bezbedno rukovanje i svesni su svih opasnosti pri radu. Deca se ne smeju igrati sa ovim proizvodom. Korisničko održavanje i čišćenaj ovog proizvoda daca smeju da vrše samo u prisustvu odrasle osobe.

NAPOMENA: Neki delovi ovog uređaja mogu biti vrelli i mogu da izazovu opekotine. Pri radu treba obratiti veću pažnju u slučaju da su prisutna deca i nemoćne osobe.

NAPOMENE

1. Uverite se da se uređaj nije oštetiio u toku transporta! • **2.** Uređaj se sme montirati samo na vertikalnu površinu! • **3.** Prilikom montaže uzmite u obzir materijal i nosivost zida na koji želite montirati uređaj! • **4.** Uređaj od poda montirajte najmanje na 2 m visinu! • **5.** Ne postavljajte ga blizu zida, držite se opisanih na skici 2! Pridržavajte se standardnih mera zaštite! • **6.** Uverite se pre prvog uključjenja dali je uređaj stabilno montiran! • **7.** Uređaj je predviđen isključivo za zagrevanje vazduha prostorija, za druge svrhe ne! • **8.** Vreo vazduh iz uređaja ne usmeravajtena zapaljive materijale kao što su zavese i slično! • **9.** Ne postavite je blizu zapaljivih materijala! (min. 100 cm) • **10.** Zabranjena upotreba u prostorijama gde se nalaze zapaljive tečnosti i gasovi, ge se oslobađaju zapaljive smese prašine itd! • **11.** Upotrebljiva samo uz konstantno prisustvo odrasle osobe! • **12.** Zabranjena upotreba u prisustvu dece bez nadzora! • **13.** Uporebljivo samo u suvim prostorijama! Štitite od pare (primer kupatilo, bazen)! • **14.** ZABRANJENA upotreba u blizini kada, umivaonika, sudopera, tuševa, sauna i bazena! • **15.** Zabranjena upotreba u vozilima i drugim skućenim prostorima (< 5 m²), kao što su na primer liftovi! • **16.** Ako duže vreme ne koristite uređaj, isključite je prekidačem i izvucite priključni kabel iz zida! Skladištite u suvim tamnim prostorijama! • **17.** Pre pomeranja uređaja, svaki put isključite iz struje! • **18.** Uređaj je zabranjeno postaviti ispod ili u blizini zidne utičnice! • **19.** U slučaju bilo kakve nepravilnosti pri radu, odmah isključite uređaj i priključni kabel izvucite iz zida! • **20.** Obratite pažnju da kroz otvore uređaja ništa ne upadne ili ucuro. • **21.** Uređaj štitite od pare, prašine, sunca i direktne toplote! • **22.** Pre čišćenja uvek isključite uređaj iz struje! • **23.** Uređaj i priključni kabel ne dodirujte vlažnim mokrim rukama! • **24.** U toku rada priključni kabel treba da je uvek potpuno odmotan! • **25.** Uređaj se sme uključiti samo u uzemljenu utičnicu 230 V~ / 50 Hz! • **26.** Ne koristite produžne kablove i razdelnike za priključenje uređaja! • **27.** Priključni kabel ne sme da dodiruje uređaj, ne vodite je preko otvora vazduha! • **28.** Uređaj tako postavite da priključni kabel bude uvek lako dostupan! • **29.** Dozvoljena za upotrebu samo u privatne svrhe, nije za profesionalnu upotrebu! • **30.** Zbog konstantnog unapređenja, tehnički podaci i izgled mogu biti promenjeni bez prethodne napomene. • **31.** Aktualno uputstvo za upotrebu uvek možete naći na adresi www.somogyi.hu • **32.** Za greške nastale prilikom štampe ne odgovaramo, i unapred se izvinjavamo.

MONTAŽA NA ZID, PUŠTANJE U RAD redosled

1. Pažljivo odstranite ambalažu da ne bi oštetili uređaj ili priključni kabel. Oštećeni uređaj je zabranjeno koristiti!
2. Upotrebljivo isključivo u suvim zatvorenim prostorijama!
3. Za neprestani bezbedan rad uređaju treba obezbediti neprestani dovod i odvod vazduha. Prilikom odabira mesta za montažu držite se opisanih na **skici 2.**, uređaj je zabranjeno montirati ispod strujne utičnice!
4. Za priložene tiple izbušite dve odgovarajuće rupe u vodoravnoj liniji, razmak između rupa treba da je 575 mm a visina od poda minimalno 200 cm.
5. Tiple postavite u zid i uvmite priložene šarafe tako da glava šarafa bude odmaknuta od zida oko 10 mm.
6. Uređaj zakačite na zid uspomoc rupa na zadnjoj strani uređaja, pomerite uređaj u levu stranu i pustite je dole da se zakači. Uverite se da je proizvod stabilno montiran!
7. Uključite priključni kabel uređaja u standardnu uzemljenu zidnu utičnicu!



Opasnost od strujnog udara! Zabranjeno rastavljati uređaj i njegove delove prepravljati! U slučaju bilo kojeg kvara ili oštećenja, odmah isključite uređaj i obratite se stručnom licu!



Ukoliko se ošteti priključni kabel, zamenu može da izvrši samo ovlašćeno lice uvoznika ili slična kvalifikovana osoba!



Značenje simbola koji se nalazi na proizvodu: **Zabranjeno prekrivati!**
Prekrivanje može da prouzrokuje pregrevanje, opasnost od požara, strujni udar!

OSOBINE

ventilatorska nazidna PTC* grejalica za grejanje vazduha zatvorenih prostorija • podseiva snaga (1100 / 2200 W) • režimi: topao, vreo vazduh • lamele za usmeravanje vazduha • ugrađeni termostati • zaštita od pregrevanja • tajmersko isključenje do 8 sati • nedeljni program • indikator temperature • daljinski upravljač

SASTAVNI DELOVI (1. skica)

1. otvor za ulaz hladnog vazduha 2. glavni prekidač 3. priključni kabel 4. tačke za pričvršćivanje 5. otvor za izlaz zagrejanog vazduha 6. lamele za usmeravanje vazduha 7. displej 8. indikator tajmera za isključenje do 8 sati 9. odabir jačine grejanja 10. viji, tipte 11. indikator za ventilatorski režim 12. indikator grejanja – 1100 W 13. indikator grejanja – 2200 W 14. indikator rada lamela 15. indikator nedeljnog programa 16. podešavanje temperature / indikator otvorenog prozora 17. uklj./isklj. 18. indikacija otvorenog prozora 19. odabir jačine grejanja 20. prekidač za konstantan rad lamela 21. tajmer isključenja 22. podešavanje temperature 23. nedeljni programi 24. tasteri za odabir 25. OK 26. izlaz

PUŠTANJE U RAD

Uređaj se može kontrolisati preko daljinskog upravljača ili tasterima na uređaju.

Osnovna upotreba

Nakon što se uređaj uključi u struju uključite je glavnim prekidačem (2). Začujete se zvučni signal i na displeju će se moći očitati izmerena temperatura u °C. Uređaj se uključuje i isključuje tasterom (17) na daljinskom upravljaču. Nakon uključivanja moguće je raditi u režimu ventilatora i neče grejati. Tasterom (19) na daljinskom upravljaču možete odabrati režim grejanja ili ventilator.

Rad uređaja se može kontrolisati i preko ugrađenog termostata. Pritisnite taster (22) na daljinskom upravljaču i potom tasterima +/- podestite željenu temperaturu u opsegu 18 – 45 °C. Kada temperatura padne ispod 1 – 2 °C od podešene temperature uređaj će da počne da greje manjom snagom. Ukoliko je temperatura niže od podešene za 3 °C uređaj će da greje sa većom snagom. Ako temperatura dostigne podešenu temperaturu, grejanje se isključuje ili ventilator će i dalje raditi. Ako je uređaj u termostatskom režimu na displeju će da svetli indikator termostata (16). Bilo kada se može isključiti termostatski režim ako se pritisne taster za promenu snage grejanja (19) ili ako se nakon pritiska tastera (22) pritisne taster (26).

Tasterom na daljinskom upravljaču (18) moguće je aktivirati i deaktivirati funkciju detekcije otvorenog prozora. Ako je funkcija aktivna, na displeju će konstantno da trepti simbol (16). U ovom slučaju nakon aktiviranja ove funkcije nakon 1 minuta uređaj meri i pamti temperaturu, ponavlja merenja u narednih 5 minuta, upoređuje temperature i grejanje će se automatski isključiti ako je temperatura manja za 8 °C od podešene temperature.

Uređaj ima ugrađeni tajmer za automatsko isključenje do 8 sati koji se aktivira tasterom (21). Funkcija je deaktivirana ako se podesi 0 sati.

Tasterom (20) na daljinskom upravljaču moguće je isključiti i uključiti konstantan rad lamela za usmeravanje vazduha. Ako je funkcija aktivna na displeju će se pojaviti indikacija (14).

Tasterom (9) na prednjoj strani uređaja, uređaj se bilo kada može uključiti. Jednim pritiskom tastera aktivira se ventilatorska funkcija. Sledećim pritiskom se aktivira slabije grejanje a narednim pritiskom jače. Posle toga pritiskom tastera se aktivira konstantan rad lamela. Zadnjim pritiskom uređaj se isključuje.

Nakon isključenja uređaj će da radi još u ventilatorskom režimu oko 30 sekundi, u tom slučaju na displeju trepti simbol za ventilator i počinje odvajanje. Dok ventilator radi nemojte isključivati iz struje pošto to može da dovede do kvavora uređaja.

Nedeljni program

Funkciju nedeljnog programa možete koristiti u jednom od režima grejanja ali ne i u ventilatorskom režimu. Za upotrebu nedeljnog programa potrebno je podesiti tačno vreme i dane u nedelji. Ovo se mora uraditi nakon svakog isključenja iz struje ili nestanka električne energije. Ako ste već podesili tačno vreme to se sada ne može modifikovati. Sada pritiskom tastera (23) odmah možete birati programe. Ponovno podešavanje tačnog vremena je moguće samo nakon isključenja uređaja iz struje i ponovnog uključjenja.

Za podešavanje tačnog vremena pritisnite taster (23). Na displeju će se pojaviti 01 – tasterima +/- podestite dan u nedelji (01 – ponedeljak, 02 – utorak, itd.). Pritisnite taster (23), na displeju će se pojaviti ispis 00 sada isto sa +/- podestite sate. Treći put pritisnite taster (23), na displeju će se ponovo pojaviti 00 sa +/- podestite minute. Pritisnite taster (23), na displeju će se pojaviti ispis P1. Pritiskanjem tastera (23) moguće je odabrati jedan od programa P1 – P6, prema sledećoj tabeli:

Program	Ponedeljak	Utorak	Sreda	Četvrtak	Petak	Subota	Nedelja
P1	8:00-17:00	8:00-17:00	8:00-17:00	8:00-17:00	8:00-17:00	8:00-17:00	8:00-17:00
P2	18:00-7:00	18:00-7:00	18:00-7:00	18:00-7:00	18:00-7:00	18:00-7:00	18:00-7:00
P3	8:00-17:00	8:00-17:00	8:00-17:00	8:00-17:00	8:00-17:00	OFF	OFF
P4	18:00-7:00	18:00-7:00	18:00-7:00	18:00-7:00	18:00-7:00	OFF	OFF
P5	OFF	OFF	OFF	OFF	OFF	00:00-23:59	00:00-23:59
P6	SET	SET	SET	SET	SET	SET	SET

*: vreme isključenja pada na naredni dan

P6 se slobodno može programirati za jedno uključjenje i isključenje za svaki dan u nedelji. Ako je za neki dan u nedelji podešeno i uključjenje i isključenje na 00 sati uređaj neće da izvrši uključjenje i isključenje za taj dan. Prilikom programiranja moguće je programirati samo pune sate, minute ne. Obratite pažnju da za programirani dan podešeno vreme isključenja uvak bude kasnije nego vreme uključjenja.

Za podešavanje P6 programa odaberite P6 program i pritisnite taster OK. Tada će na displeju treptati 1 – ponedeljak. Pritisnite taster OK, na displeju će treptati 00 i sa +/- tasterima podestite sat kada želite da se uređaj uključi. Pritisnite taster OK, na displeju će se pojaviti 00 i tasterima +/- podestite sat za isključenje. Pritisnite taster OK, na displeju će da trepti 2 – utorak. Nastavite podešavanja sve dok ne podestite i nedelju i zadnjim pritiskom OK tastera program će biti aktiviran.

Odabirom P6 programa bilo kada se može modifikovati ranije podešena vremena uključjenja i isključenja. Pritiskanjem tastera OK odaberite željeni dan, i sat koji želite modifikovati.

U slučaju potpunog isključenja uređaja iz struje ili nestanka električne energije tačno vreme i P6 program se moraju ponovo podesiti.

Odabirom bilo kojeg programa uređaj će da radi prema zadnje podešenim parametrima – ili u nekom od režima grejanja ili prema podešenom termostatu.

Ako je aktiviran nedeljni program indikator programa (15) svetli na displeju, ukoliko prema tom programu uređaj trenutno ne greje, indikator (15) trepti.

U slučaju odabira bilo kojeg programa ako u tom trenutku aktiviranja uređaj ne treba da greje prvo će da se aktivira ventilatorski režim u trajanju od 30 sekundi i samo će nakon toga da prestane potpuno da radi.

Nedeljni program se bilo kada može isključiti ako se tasterom (23) uđe u program i pritisne taster (26).

ČIŠĆENJE, ODRŽAVANJE

Radi optimalnog rada uređaja u zavisnosti od količine prljavštine uređaj treba redovito čistiti, najpre jedan put mesečno.

- Pre čišćenja isključite uređaj i takođe ga isključite iz zida!
- Ostavite je da se ohladi (min. 30 minuta).
- Otvore ulaza i izlaza vazduha čistite usisivačem sa četkastom glavom!
- Vlažnom krpom prebrishite spoljne delove uređaja. Ne koristite agresivna hemijska sredstva! Obratite pažnju da ništa ne uću u unutrašnjost uređaja! viz!

MOGUĆE GREŠKE I RAZLOZI

Greška	Moguća rešenja za otklanjanje greške
U režimu grejana uređaj ne greje.	Proverite opisane u delu „zaštita od pregrevanja“! Proverite podešavanje termostata!
Često se aktivira zaštita od pregrevanja.	Očistite uređaj!
Uređaj ne reaguje na daljinskom upravljaču.	Proverite baterije u daljinskom upravljaču!

TEHNIČKI PODACI

napajanje:	230 V ~ / 50 Hz
snaga:	1100 / 2200 W
maksimalna snaga:	2200 W
IP zaštita: IP20: Nije zaštićena od prozora vode!	
dimenzije:	65 x 25 x 15 cm cm
masa:	4 kg
dužina priključnog kabela:	1,5 m
buka:	60 dB(A)

*PTC (Positive Coefficient Temperature – pozitivni temperaturni koeficijent) grejač izrađen od legure keramičkog polimer kristalnog poluprivodnika, barijuma i titanijuma. Prednosti su joj da sama reguliše svoju unutrašnju temperaturu bez dodatnih zaštita, znatno je ekonomičniji sistem nego sa klasičnim grejačima.

Pred prvo uporabo preberite to navodilo in ga shranite. Originalno navodilo je napisano v madžarskem jeziku.

Otrokom mlajšim od 3 let ne dovoliti in ne spustiti v bližino naprave, izjemoma če obstaja konstanten nadzor odrasle osebe.

Otroci med 3 in 8 letom starosti lahko izklaplajo in vklopljajo napravo samo v primeru v kolikor je naprava montirana pravilno, v normanih pogojih delovanja če so pod nadzorom, če so seznanjeni z njenim varnim in pravilnim rokovanjem.

Ta naprava ni predvidena za uporabo osebam z zmanjšano psihofizično in mentalno zmožnostjo, oziroma neiskusnim osebam vključujoč tudi otroke, otroci starejši od 8 let lahko rokujejo z to napravo samo v prisotnosti starejše osebe ali da so seznanjeni z rokovanjem in se zavedajo vseh nevarnosti pri delovanju. Otroci se ne smejo igrati s tem izdelkom. Uporabniško vzdrževanje in čiščenje tega izdelka otroci lahko izvajajo samo v prisotnosti odrasle osebe.

OPOMBA : Nekateri deli te naprave so lahko zelo vroči in lahko povzročijo opekline. Pri delovanju je potrebno dati več pozornosti v primeru če so prisotni otroci in nemočne osebe.

OPOMBE

1. Prepričajte se, da se naprava ni poškodovala med transportom! • 2. Montirajte napravo samo na vertikalne površine! • 3. Pri izbiri mesta za montažo, se najprej pozanimajte iz kakšnega materiala je stena in kolikšna je njena nosilnost! • 4. Grelec mora biti montiran na višino najmanj 2 metra nad talmi! • 5. Nikoli ne postavljajte grelca v kote in držite se minimalne oddaljenosti za montažo prikazano v skici 2. Držite se standardnih mer zaščite! • 6. Pred vklopom naprave se prepričajte, da je varno montirana na steno! • 7. Naprava je predvidena izključno za segrevanje zraka prostora, za druge namene ne! • 8. Vreli zrak iz naprave ne usmerjajte na vnetljive materiale kot so zavese in podobno! • 9. Ne postavljajte je blizu vnetljivih materialov! (min. 100 cm) • 10. Prepovedana je uporaba v prostorih kjer se nahajajo vnetljive tekočine in plini, kjer se nahajajo vnetljive zmesi prahu itd! • 11. Uporabno samo pri konstantnem nadzoru odrasle osebe! • 12. Prepovedana uporaba v prisotnosti otrok brez nadzora! • 13. Samo za notranjo uporabo, uporabljamo jo samo v suhih prostorih! Zaščitite pred paro (primer kopalnice, bazeni)! • 14. PREPOVEDANA je uporaba v bližini kadi, umivalnika, pomivalnega kota, tušev, savn in bazenov! • 15. Prepovedana uporaba v vozilih ali drugih majhnih prostorih (< 5 m²), kot so na primer dvigala! • 16. Če napravo ne uporabljate dolgo časa, jo izklopite na stikalo in izvlecite vtičak priključnega kabla iz električne vtičnice! Shranite jo v suhi temni prostor! • 17. Preden napravo premaknete, jo vedno izklopite iz električne vtičnice! • 18. Napravo je prepovedano postaviti pod ali v bližino stenske vtičnice! • 19. V primeru kakšne nepravilnosti pri delovanju (npr. neobičajen zvok ali vonj zažganega iz naprave) takoj izklopite napravo s stikalom in vtičak priključnega kabla izvlecite iz vtičnice! • 20. Bodite pozorni da v notranjost naprave skozi odprtine ne pridejo tujni, nič ne priteče ali pricurlja. • 21. Napravo zaščitite pred prahom, paro, soncem in direktnim vplivom toplote! • 22. Pred čiščenjem napravo vedno izklopite iz električnega omrežja! • 23. Naprave in priključnega kabla se nikoli ne dotikajte z vlažnimi rokami! • 24. Tekom delovanja mora biti kabel popolnoma odvit in ne napet! • 25. Napravo lahko priklopite samo v pravilno ozemljeno 230 V~ / 50 Hz električno stensko vtičnico! • 26. Ne uporabljajte podaljševalne kable in razdelnike za priključevanje naprave! • 27. Ne speljite napetostni kabel preko zgornjega dela naprave ali v bližino odprtine katera služi za kroženje zraka! • 28. Napravo montirajte tako, da je priključni kabel vedno lahko dostopen pri izključevanju iz vtičnice! • 29. Napravo je dovoljeno uporabljati samo v gospodinjstvu! Ni dovoljena za profesionalno uporabo! • 30. Zaradi nenehnega napredovanja v tehnološki, tehnični podatki in izgled so lahko spremenjeni brez predhodne najave. • 31. Aktualno navodilo za uporabo lahko v vsakem momentu najdete na naslovu www.somogyi.hu • 32. Za napake nastale pri tiskanju ne odgovarjamo, in v naprej se opravičujemo.

MONTIRANJE NA STENO IN NASTAVITVE postopek

1. Pred prvim vklopom naprave, pazljivo odstranite embalažo da ne bi poškodovali napravo ali priključni kabel. Poškodovano napravo je prepovedano uporabljati!
2. Naprava se sme uporabljati samo v suhih zaprtih prostorih!
3. Nemoten pretok zraka mora biti zagotovljen, da bi naprava pravilno funkcionirala, zato prosimo da izberete mesto za stensko montažo po prikazanem na **Skici 2**. Ne montirajte napravo neposredno pod mrežno vtičnico!
4. Za priložene dile izvrtajte dve ustrezni luknji v vodoravni liniji, razmak med luknjama mora biti 575 mm a višina od tal minimalno 200 cm.

- Dible vstavite v steno in privijte priložene vijake v luknje tako, da glava vijaka kuka približno 10 mm iz stene.
- Napravo zataknete na steno s pomočjo lukenj na zadnji strani naprave, premaknite napravo v levo stran in jo spustite navzdol da se zatakne. Prepričajte se, da je naprava stabilno obešena na vijake; montirana!
- Vključite priključni kabel naprave v standardno ozemljeno stensko vtičnico!



Nevarnost pred električnim udarom! Prepovedano je razstavljati napravo in njegove dele popravljati! V primeru kakršne koli okvare ali poškodbe, nemudoma izključite napravo in se obrnite na strokovno usposobljeno osebo!



Vkolikor se poškoduje priključni kabel, lahko zamenjavo izvrši samo pooblaščen osebja uvoznika ali podobno kvalificirana oseba!



Pomen simbola kateri se nahaja na proizvodu: **Prepovedano prekrivati!** Prekrivanje lahko povzroči pregrevanje, nevarnost požara, električni udar!

LASTNOSTI

ventilatorski stenski PTC* grelec za segrevanje zraka v zaprtih prostorih • nastavljava moč (1100 / 2200 W) • režim delovanja: topli in vrel zrak • lamela za usmerjanje zraka 7. zaston 8. indikator tajmerja za izključevanje do 8 ur 9. izbira jakosti segrevanja 10. vtičnik 11. indikator za ventilatorski režim 12. indikator segrevanja – 1100 W 13. indikator segrevanja – 2200 W 14. indikator delovanja lamel 15. indikator tedenskega programa 16. nastavitve temperature / indikator odprtega okna 17. vtičnik 18. indikacija odprtega okna 19. izbira jakosti segrevanja 20. stikalo za konstantno delovanje lamel 21. tajmer izklopa 22. nastavitve temperature 23. tedenski programi 24. tipke za izbiro 25. OK 26. izhod

SESTAVNI DELI (1. skica)

1. odprtina za vhod hladnega zraka 2. glavno stikalo 3. priključni kabel 4. točke za pričvrščevanje 5. odprtina za izhod segretega zraka 6. lamela za usmerjanje zraka 7. zaston 8. indikator tajmerja za izključevanje do 8 ur 9. izbira jakosti segrevanja 10. vtičnik 11. indikator za ventilatorski režim 12. indikator segrevanja – 1100 W 13. indikator segrevanja – 2200 W 14. indikator delovanja lamel 15. indikator tedenskega programa 16. nastavitve temperature / indikator odprtega okna 17. vtičnik 18. indikacija odprtega okna 19. izbira jakosti segrevanja 20. stikalo za konstantno delovanje lamel 21. tajmer izklopa 22. nastavitve temperature 23. tedenski programi 24. tipke za izbiro 25. OK 26. izhod

ZAGON ZA DELOVANJE

Naprava se lahko upravlja z daljinskim upravljalcem ali s tipkami na napravi.

Osnovna uporaba

Potem ko se naprava vklopi v električno vtičnico, jo vključimo z glavnim stikalom (2). Zaslisi še zvočni signal in na zaslону se bo lahko odčitala nastavljena temperatura v °C. Naprava se vključi in izključi s tipko (17) na daljinskem upravljalcu. Po vklopu bo naprava delovala v režimu ventilatorja in ne bo grela.

S tipko (19) na daljinskem upravljalcu se lahko izbere režim segrevanja ali ventilator.

Delovanje naprave se lahko upravlja tudi preko vgrajenega termostata. Pritisnite tipko (22) na daljinskem upravljalcu in nato s tipkami +/- nastavite željeno temperaturo v obsegu 16 – 45 °C. Kadar temperatura pade pod 1 – 2 °C od nastavitvene temperature, bo naprava zabela segrevati z max. močjo. Vkolikor je temperatura nižja od nastavitvene za 3 °C, bo naprava segrevala z večjo močjo. Če temperatura doseže nastavitveno temperaturo, segrevanje se izključi a ventilator bo še naprej deloval. Če je naprava v termostatskem režimu se bo na zaslону svetil indikator termostata (16). Kadar koli se lahko izključi termostatski režim, če se pritisne tipka za spremembo moči segrevanja (19) ali če se po pritisku tipke (22) pritisne tipka (26).

S tipko (19) na daljinskem upravljalcu (18) je mogoče aktivirati in deaktivirati funkcijo zaznavanja odprtega okna. Če je funkcija aktivna, bo na zaslону konstantno utrpal simbol (16). V tem primeru, po aktiviranju ne funkcije naprava po 1 minuti meri in shranjuje temperaturo, ponavljaj merjenja v naslednjih 5 minutah, primerja temperature in segrevanje se bo avtomatsko izključilo, če je temperatura manjša za 8 °C od nastavitvene temperature.

Naprava ima vgrajen tajmer za avtomatski izklop do 8 ur, kateri se aktivira s tipko (21). Funkcija je deaktivirana če se nastavi na 0 ur.

S tipko (20) na daljinskem upravljalcu je mogoče izključiti in vključiti konstantno delovanje lamel za usmerjanje zraka. Če je funkcija aktivna se bo na zaslону pojavila indikacija (14).

S tipko (9) na srednji strani naprave, se lahko naprava kadar koli vključi. Z enim pritiskom tipke se aktivira ventilatorska funkcija. Z naslednjim pritiskom se aktivira slabše segrevanje a z naslednjim pritiskom močnejše. Za tem se s pritiskom tipke aktivira konstantno delovanje lamel. Z zadnjim pritiskom se naprava izključi.

Ko se naprava izklopi, lahko deluje še v ventilatorskem režimu okoli 30 sekund, v tem primeru na zaslону utripa simbol za ventilator in prične se odčitavanje. Dokler ventilator deluje, napravo ne izključite iz električnega omrežja, kajti to lahko privede do okvare naprave.

Tedenski program

Funkcija tedenskega programa lahko uporabljate v enem od režimov segrevanja a ne morete v ventilatorskem režimu. Za uporabo tedenskega programa je potrebno nastaviti točni čas in dneve v tednu. To se mora narediti po vsakem izklopu iz električnega omrežja ali prekinitve električne energije. Če se izte zastavili točni čas se to sedaj ne da spremeniti. Sedaj s pritiskom tipke (23) lahko takoj izberete programe. Ponovna nastavitve točnega časa je mogoča samo po izklopu naprave iz električnega omrežja in ponovnega vklopa naprave.

Za nastavitve točnega časa pritisnite tipko (23). Na zaslону se bo pojavilo 01– s tipkama +/- nastavite dan v tednu (01 – ponedeljek, 02 – torek, itd.). Pritisnite tipko (23), na zaslону se bo pojavil izpis 00 sedaj isto s +/- nastavite ure. Tretji pritisnite tipko (23), na zaslону se bo ponovno

pojavo 00 in s +/- nastavite minute. Pritisnite tipko (23), na na zaslону se bo pojavil izpis P1. S pritisnjenjem tipke (23) je mogoče izbrati enega od programov P1 – P6, po prikazanem v sledeči tabeli:

Program	Ponedeljek	Torek	Sreda	Četrtek	Petek	Sobota	Nedelja
P1	8:00-17:00	8:00-17:00	8:00-17:00	8:00-17:00	8:00-17:00	8:00-17:00	8:00-17:00
P2	18:00-7:00	18:00-7:00	18:00-7:00	18:00-7:00	18:00-7:00	18:00-7:00	18:00-7:00
P3	8:00-17:00	8:00-17:00	8:00-17:00	8:00-17:00	8:00-17:00	OFF	OFF
P4	18:00-7:00	18:00-7:00	18:00-7:00	18:00-7:00	18:00-7:00	OFF	OFF
P5	OFF	OFF	OFF	OFF	OFF	00:00-23:59	00:00-23:59
P6	SET	SET	SET	SET	SET	SET	SET

*. Čas izklopa pade na naslednji dan

P6 se lahko sigurno programira za en vklop in izklop za vsaki dan v tednu. Če je za kateri dan v tednu nastavljen čas vklopa in čas izklopa na 00 ur, to pomeni da se naprava ne bo vključila in izključila za ta dan. Pri programiranju je mogoče programirati samo polne ure, minute ne. Bodite pozorni, da je za programirani dan nastavljen čas izklopa vedno kasnejši, kakor čas vklopa.

Za nastavitve P6 programa izberite P6 program in pritisnite tipko OK. Tedaj bo na zaslону utripala 1 – ponedeljek. Pritisnite tipko OK, na zaslону bo utripala 00 in s +/- tipkama nastavite ure, ob kateri želite da se naprava vključi. Pritisnite tipko OK, na zaslону se bo pojavila 00 in s tipkama +/- nastavite ure za izklop. Pritisnite tipko OK, na zaslону bo utripala 2 – torek. Nadajajte nastavitve vse dokler ne nastavite tudi nedeljo in z zadnjim pritiskom OK tipke bo program aktiviran.

Z izbiro P6 programa se lahko kadar koli spremeni predhodno nastavljen čas vklopa in izklopa. S pritisnjenjem tipke OK izberite željeni dan, in ure katero želite spremeniti.

V primeru popolnega izklopa naprave iz električnega omrežja ali prekinitve električne energije, se morata točni čas in P6 program ponovno nastaviti.

Z izbiro katerega koli programa, bo naprava delovala po nazadnje nastavljenih parametrih – ali v katerem od režimov segrevanja ali po nastavljenem termostatu. Če je aktiven tedenski program, indikator programa (15) svetil na zaslону, vkolikor po tem programu naprava trenutno ne greje, indikator (15) utripa.

V primeru izbire katerega koli programa, če v tem trenutku aktiviranja naprava ne rabi segrevati, se bo naprej aktiviral ventilatorski režim v trajanju do 30 sekund in Sele po tem bo naprava popolnoma prenehala delovati.

Tedenski program se lahko kadar koli izključi, če se s tipko (23) preide v program in pritisne tipka (26).

Zaščita pred pregrevanjem: v primeru pregrevanja izključi napravo, na primer če so odprtine za vhod in izhod zraka prekrita ali če so zelo umazani. Izključi napravo tako da vtičnik izvečete iz električne vtičnice. Počakajte da se naprava ohladi (najmanj 30 minut), če je potrebno očistite napravo. Ponovno vključite napravo v električno vtičnico in jo poklopite. Če se zaščita pred pregrevanjem tudi deluje aktivira, izključi napravo iz električne vtičnice in se obrnite na strokovno usposobljeno osebo.

ČIŠČENJE IN VZDRŽEVANJE

Zaradi optimalnega delovanja naprave v odvisnosti od načina uporabe in od količine prahu, je napravo potrebno redno čistiti, najmanj enkrat mesečno.

- Pred čiščenjem izklopite napravo, tudi iz električnega omrežja.
- Pustite da se naprava ohladi (min. 30 minut).
- Uporabite sesalec kateri ima nastavitev s ščetko da lahko očistite vhodno in izhodno odprtino za cirkulacijo zraka.
- Zlogi vlažno krpo očistite zunanjo del naprave. Ne uporabljajte agresivna kemična čistila! Bodite pozorni da v notranjost naprave ne priteče voda!

MOŽNE NAPAKE IN RAZLOGI

Napaka	Možne rešitve za odpravljanje napake
Naprava ne greje v režimu segrevanja.	Preverite opisano v delu „zaščita pred pregrevanjem“!
	Preverite nastavitve termostata!
Pogosto se aktivira zaščita pred pregrevanjem.	Očistite napravo!
Naprava ne reagira na daljinski upravljalac.	Preverite baterije daljinskega upravljalca!

TEHNIČNI PODATKI

napajanje:	230 V~ / 50 Hz
moč:	1100 / 2200 W
maksimalna moč:	2200 W
IP zaščita:	IP20: Ni zaščiten pred vdorom vode!
dimenzije:	65 x 25 x 15 cm
masa:	4,2 kg
dolžina priključnega kabla:	1,5 m
hrup:	60 dB(A)

*PTC (Positive Coefficient Temperature – pozitivni temperaturni koeficient) grelec izdelan iz legure keramičnega polikristalnega polprevodnika z barjem in titanom. Prednosti so, da sam regulira svojo notranjo temperaturo brez dodatnih zaščit, znatno je ekonomičen sistem, kakor s klasičnimi grelec.

Před uvedením produktu do provozu si přečtěte návod k používání a pak si jej uschovejte. Původní popis byl vyhotoven v maďarském jazyce.

Děti mladší 3 let se nesmí pohybovat v blízkosti přístroje, vyjma případů, když jsou pod neustálým dohledem.

Děti starší 3 let a mladší 8 let mohou přístroj pouze vypínat/zapínat, a to za předpokladu, že přístroj byl standardně instalován a uveden do provozu, dále když jsou pod dohledem a byly poučeny o bezpečném používání přístroje a porozuměly nebezpečí spojenému s používáním přístroje.

Tento přístroj mohou takové osoby, které disponují sníženými fyzickými, smyslovými nebo duševními schopnostmi, nebo které nemají dostatek zkušeností či znalostí, dále děti mladší 8 let, používat pouze v takovém případě, když se tak děje pod dohledem nebo jestliže byly náležitě poučeny o bezpečném používání přístroje a pochopily nebezpečí spojená s používáním přístroje. Je zakázáno, aby si s přístrojem hrály děti. Čištění nebo údržbu přístroje mohou děti provádět výlučně pod dohledem.

UPOZORNĚNÍ: Některé části tohoto přístroje mohou být horké a mohou způsobit popáleniny. Zvýšenou pozornost je třeba věnovat v případě, kdy jsou přítomné děti a nemohoucí osoby.

UPOZORNĚNÍ

1. Ujistěte se o tom, zda přístroj nebyl během přepravy poškozen! • 2. Přístroj instalujte výhradně na svislou plochu! • 3. Při instalaci berte na zřetel základní materiál a nosnost stěny! • 4. Topné těleso umístěte alespoň ve výšce 2 m nad úroveň podlahy! • 5. Neumísťujte přístroj bezprostředně do rohu, dodržujte minimální vzdálenosti uvedené na obrázku číslo 2! Dodržujte aktuální bezpečnostní předpisy platné v dané zemi! • 6. Předtím, než přístroj zapojíte do elektrické sítě, se ujistěte o tom, zda je na stěně připevněn stabilně! • 7. Přístroj lze podle původního určení používat pouze k ohřívání vzduchu, nikoli pro účely standardního vytápění. • 8. Proudící teple vzduch nesmějte bezprostředně na záclony nebo na jiné hořlavé materiály! • 9. Neumísťujte do blízkosti hořlavých látek! (vzdálenost min. 100 cm) • 10. Je zakázáno používat v takovém prostředí, ve kterém se mohou uvolňovat hořlavé plyny nebo výbušný prach! Nepoužívejte v takovém prostředí, kde hrozí nebezpečí ohně nebo exploze! • 11. Přístroj je dovoleno provozovat pouze pod neustálým dohledem! • 12. Je zakázáno přístroj provozovat bez dozoru v blízkosti dětí! • 13. Přístroj je dovoleno používat výhradně v suchých interiérech! Chraňte před vlivem vlhkého prostředí (např. koupelna, bazén)! • 14. Přístroj je ZAKÁZANO používat v blízkosti vany, umyvadla, sprchy, bazénu nebo sauny! • 15. Je zakázáno přístroj používat v automobilech nebo v úzkých (< 5 m²) uzavřených prostorách (např. výtah)! • 16. Nebudete-li přístroj delší dobu používat, vypněte jej a potom vytáhněte přírodní kabel ze zásuvky elektrické sítě! Přístroj skladujte na suchém, chladném místě! • 17. Předtím, než budete s přístrojem manipulovat, přístroj v každém případě odpojte z elektrické sítě! • 18. Přístroj je zakázáno umísťovat bezprostředně pod zásuvku elektrické sítě! • 19. Jestliže zjistíte jakoukoli anomálii (např. přístroj vydává nevyzpyklé zvuky nebo cítíte zápach spáleniny), přístroj okamžitě vypněte a odpojte z elektrické sítě! • 20. Dbejte na to, aby se do přístroje prostřednictvím otvorů nedostaly žádné předměty ani tekutiny. • 21. Chraňte před prachem, vlhkem, slunečním zářením a vlivem bezprostředního sálajícího tepla! • 22. Před čištěním přístroj odpojte z elektrické sítě vytažením přírodního kabelu ze zásuvky ve zdi! • 23. Přístroje ani přírodního kabelu se nikdy nedotýkejte mokřýma rukama! • 24. Přírodní kabel odmotejte v celé délce! • 25. Přístroj je dovoleno zapojovat výlučně do uzemněné zásuvky ve zdi s napětím 230 V~ / 50 Hz! • 26. K zapojení přístroje nikdy nepoužívejte prodlužovací kabel ani rozbočku! • 27. Přírodní kabel nikdy nepokládejte na přístroj nebo v blízkosti vstupních nebo výstupních otvorů proudění vzduchu! • 28. Přírodní kabel vždy pokládejte takovým způsobem, aby nebylo možné jeho náhodné vytažení a aby nehrozilo nebezpečí zakopnutí o kabel! • 29. Určeno pouze k používání pro soukromé účely, není dovoleno používat v průmyslových podmínkách! • 30. Vzhledem k neustálým zlepšováním se mohou technické údaje a konstrukce měnit bez předchozího upozornění. • 31. Aktuální uživatelskou příručku si můžete stáhnout z www.somogyi.hu • 32. Neneseme zodpovědnost za případné chyby v tisku, omlouváme se.

Pořadí úkonů při INSTALACI NA STĚNU, UVEDENÍ DO PROVOZU

1. Před uvedením do provozu opatrně odstraňte veškerý obalový materiál tak, abyste nepoškodili přístroj nebo napájecí kabel. V případě jakéhokoli poškození je zakázáno přístroj uvádět do provozu!
2. Přístroj je určen výhradně k používání v suchých interiérech!
3. Ke správnému provozu je nutné zajistit volné proudění teplého vzduchu, a proto místo instalace na stěnu zvolte podle vyobrazení na **schématu č. 2!** Přístroj je zakázáno instalovat bezprostředně pod zásuvku elektrické sítě ve zdi!

- Vyvrtejte do zdi dva otvory pro hmoždinky dodávané v příslušenství, a to alespoň ve výšce 200 cm od úrovně podlahy, ve vodorovné linii, ve vzdálenosti 575 mm od sebe.
- Do vyvrátaných otvorů vložte hmoždinky, potom do hmoždinek zašroubujte přiložené šrouby tak, aby hlavičky šroubů byly ve vzdálenosti alespoň 10 mm od plochy stěny.
- Otvory na zadním panelu přístroje přiložte ke šroubům, posuňte směrem doleva a potom spusťte směrem dolů, až na doraz. Ujistěte se o tom, že topné těleso je na stěně umístěno stabilně!
- Topné těleso zapojte do standardní uzemněné zásuvky ve zdi! Nyní je přístroj připraven k používání.



Nebezpečí úrazu elektrickým proudem! Rozebírání a přestavba přístroje nebo jeho příslušenství je zakázáno! Při poškození kterékoliv části ihned odpojte ze sítě a vyhledejte odborníka!



Jestliže dojde k poškození přípojného síťového vodiče, výměnu je oprávněn provádět výhradně výrobce, servisní služba výrobce nebo podobně odborně vyškolená osoba!



Piktogram na přístroji znamená: Zákaz zakrývání!

Zakrytí může zapříčinit přehřátí, vznik nebezpečí požáru, úraz elektrickým proudem!

SPECIFIKACE

nastítné topné těleso PTC* s ventilátorem, určené k ohřívání vzduchu v interiérech - regulovatelný příkon (1100 / 2200 W) - provozní režimy: teplo, horký vzduch • možnost zapínání proudění vzduchu • zabudovaný termostat • ochrana proti přehřátí • časované vypínání v intervalu 8 hodin • týdenní program • vyrobení teploty • dálkový ovládací

POPIS (1. schéma)

1. vstupní otvor studeného vzduchu 2. hlavní spínač 3. síťový napájecí kabel 4. body k upevnění 5. výstupní otvor teplého vzduchu 6. kmitavá lamela pro proudění vzduchu 7. displej 8. časované vypínání v intervalu 8 hodin 9. volba stupně vytápění 10. šrouby, hmoždinky 11. signalizace provozního režimu ventilátoru 12. signalizace stupně vytápění - 1100 W 13. signalizace stupně vytápění - 2200 W 14. signalizace plynuého proudění vzduchu 15. signalizace týdenního programu 16. nastavení teploty / kontrola senzoru otevřeného okna 17. spínač zapínání/vypínání 18. senzor otevřeného okna 19. volba stupně vytápění 20. spínač plynuého proudění vzduchu 21. spínač časovaného vypínání 22. nastavení teploty 23. týdenní program 24. tlačítka volby 25. OK [OK] 26. zavřít

PROVOZOVÁNÍ

Topné těleso můžete ovládat tlačítky umístěnými na přístroji nebo dálkovým ovladačem.

Standardní používání

Přístroj nejprve zapojte do elektrické sítě, potom přístroj zapněte hlavním spínačem (2). Poté uslyšíte krátký zvukový signál, na displeji bude vyobrazena teplota v místnosti ve °C. Topné těleso zapnete tlačítkem dálkového ovladače určeného k zapínání/vypínání (15). Přístroj se zapne v provozním režimu ventilátoru, bez vytápění. Tlačítkem dálkového ovladače (19) můžete volit stupeň vytápění, nebo provozní režim s ventilátorem.

Topné těleso můžete ovládat i prostřednictvím nastavení termostatu. Požadovanou teplotu v pásmu 18 až 45 °C nastavíte stisknutím tlačítka dálkového ovladače (22) a následovně tlačítky volby +/-. Bude-li nastavená teplota o 1 až 2 °C vyšší než měřená teplota, bude topné těleso vytápět na nízkém stupni vytápění. Bude-li nastavená teplota alespoň 2 °C vyšší než měřená teplota, bude topné těleso vytápět na vysokém stupni vytápění. Jestliže teplota v místnosti dosáhne hodnoty předem nastavené teploty, přístroj se přepne do provozního režimu ventilátoru. Když je topné těleso funkční v provozním režimu termostatu, pak na displeji plyne svítí příslušná kontrolka (14). Provozní režim termostatu můžete kdykoliv vypnout, když tlačítkem dálkového ovladače (19) zvolíte stupeň vytápění nebo nejprve stisknete tlačítko dálkového ovladače (22) a potom stisknete tlačítko dálkového ovladače (26).

Tlačítkem dálkového ovladače (18) zapnete nebo vypnete funkci senzoru otevření okénka. Je-li tato funkce aktivní, bude na displeji plyne bílkat kontrolka této funkce (14). Jestliže je tato funkce aktivní, přístroj 1 minutu po zapnutí zaznamená naměřenou teplotu, potom každých 5 minut aktuálně naměřené teploty porovná s touto hodnotou. Bude-li aktuálně naměřená teplota alespoň o °C nižší než původně naměřená teplota, přístroj se z důvodu úspory energie vypne. Tlačítkem dálkového ovladače (21) můžete nastavit časované vypínání, a to na dobu nejvýše 8 hodin, v intervalech po jedné hodině. Je-li tato funkce aktivní, na displeji bude plyne svítit příslušná kontrolka (12). Tuto funkci vypnete tak, že jako časované vypnutí nastavíte 0 hodin. Tlačítkem dálkového ovladače (20) zapnete, respektive vypnete funkci plynuého proudění vzduchu. Je-li tato funkce aktivní, na displeji bude plyne svítit příslušná kontrolka (14).

Tlačítkem (9) umístěným na čelní panelu topného tělesa přistoupíte v pohotovostním stavu kdykoli zapnete. Jedním stisknutím tlačítka se topné těleso přepne do provozního režimu ventilátoru. Opakováním stisknutím tlačítka aktivujete nízký stupeň vytápění, dalším stisknutím tlačítka pak zapnete vysoký stupeň vytápění. Dalším stisknutím tlačítka zapnete funkci plynuého proudění vzduchu, při vysokém stupni vytápění. Dalším stisknutím tlačítka vypnete těleso vypnete.

Po vypnutí bude topné těleso po dobu přibližně 30 vteřin funkční v provozním režimu ventilátoru, bude bílkat kontrolka režimu ventilátoru a přístroj bude odpočítávat zbývající čas. Dokud se topné těleso v tomto režimu nevypne, neodpojuje jej z elektrické sítě, protože byste tak mohli přístroj poškodit.

Týdenní program

Funkci týdenního programu můžete nastavovat nebo aktivovat jen v případě, když je používán jeden ze stupňů vytápění, v případě provozování režimu ventilátoru nikoli. K používání funkce týdenního programování je nutné na přístroji nastavit přesný čas a den. To musíte učinit po každém odpojení topného tělesa z elektrické sítě. Jestliže jste přesný čas na přístroji nastavili, pak není možné provést změnu. V takovém případě po stisknutí tlačítka (23) můžete ihned volit z daných programů. Počáteční nastavení přesného času je možné provést jen po odpojení topného tělesa z elektrické sítě a následovným opětovným zapojení do elektrické sítě.

ODSTRANĚNÍ ZÁVAD

Popis závady	Možné řešení pro odstranění závady
Přístroj v režimu vytápění nevytápí.	Zkontrolujte postup uvedeny v části o ochraně proti přehřátí.
	Zkontrolujte nastavení termostatu.
Ochrana proti přehřátí je aktivována příliš často.	Vyčistěte přístroj.
Přístroj nereaguje na signály dálkového ovladače.	Zkontrolujte baterie v dálkovém ovladači.

Pro nastavení přesného času stiskněte tlačítko dálkového ovladače (23). Na displeji bude vyobrazena hodnota 01 – pomocí tlačítek volby +/- nastavte aktuální den v týdnu (01 – pondělí, 02 – úterý apod.). Znovu stiskněte tlačítko dálkového ovladače (23), nyní bude na displeji vyobrazena hodnota 00. Prostřednictvím tlačítek volby +/- nastavíte aktuální hodinu. Znovu stiskněte tlačítko dálkového ovladače (23), na displeji bude nyní opět vyobrazena hodnota 00. Prostřednictvím tlačítek volby +/- nastavíte aktuální minutu. Znovu stiskněte tlačítko dálkového ovladače (23), na displeji bude vyobrazen nápis P1. Dalším stisknutím tlačítka (23) zvolíte program P1 až P6, podle následující tabulky:

Program	Pondělí	Úterý	Středa	Čtvrtek	Pátek	Sobota	Neděle
P1	8:00-17:00	8:00-17:00	8:00-17:00	8:00-17:00	8:00-17:00	8:00-17:00	8:00-17:00
P2	18:00-7:00	18:00-7:00	18:00-7:00	18:00-7:00	18:00-7:00	18:00-7:00	18:00-7:00
P3	8:00-17:00	8:00-17:00	8:00-17:00	8:00-17:00	8:00-17:00	OFF	OFF
P4	18:00-7:00	18:00-7:00	18:00-7:00	18:00-7:00	18:00-7:00	OFF	OFF
P5	OFF	OFF	OFF	OFF	OFF	00:00-23:59	00:00-23:59
P6	SET	SET	SET	SET	SET	SET	SET

*: čas vypnutí připadá na druhý den

Program P6 lze nastavit libovolně, na každý den v týdnu můžete nastavit čas zapnutí a čas vypnutí. Jestliže na kterýkoliv den v týdnu nastavíte jako čas zapnutí a vypnutí 00, topné těleso nebude v daný den provozovat časovaný program. V průběhu nastavení programu můžete nastavovat celé hodiny, nelze nastavovat minuty. Vždy dbejte na to, aby v daný den čas vypnutí chronologicky následoval až po času zapnutí.

Při nastavení programu zvolte program P6, potom stiskněte tlačítko OK. Nyní bude na displeji bílkat označení 1 – pondělí. Stiskněte tlačítko OK, na displeji bude svítit hodnota 00, prostřednictvím tlačítek +/- nastavte hodinu zapnutí topného tělesa. Stiskněte tlačítko OK, na displeji bude svítit hodnota 00, prostřednictvím tlačítek +/- nastavte hodinu vypnutí topného tělesa. Stiskněte tlačítko OK, na displeji bude bílkat označení 2 – úterý. Až nastavíte i čas vypnutí v neděli a stisknete tlačítko OK, bude program aktivní.

Zvolíte-li program P6, v každém případě tak máte možnost upravit dříve nastavený program. Opakováním stisknutím tlačítka OK můžete prozáhat dříve nastavené hodnoty a tyto můžete upravit nebo ponechat podle původního nastavení.

V případě odpojení přístroje z elektrické sítě bude přesný čas a dříve nastavený program P6 vymazan z paměti přístroje.

V případě zvolení kterékoliv programu bude topné těleso funkční v naposledy používaném provozním režimu – buď v jednom ze stupňů vytápění nebo v provozním režimu ventilátoru, podle hodnoty dříve nastavené teploty.

Je-li aktivní provozování podle týdenního programu, bude na displeji přístroje svítit příslušná kontrolka (13). Je-li program aktivní, ale přístroj podle tohoto programu právě nefunguje, bude kontrolka (13) bílkat.

V případě zvolení kterékoliv programu, jestliže je po volbě přístroj podle programu nefungoval, se v některých případech přístroj na dobu 30 vteřin zapíná v provozním režimu ventilátoru, a teprve potom se vypíná.

Funkci provozování podle týdenního programu můžete kdykoliv vypnout, když prostřednictvím tlačítka dálkového ovladače (23) vstoupíte do funkce programování a potom stisknete tlačítko dálkového ovladače (26).

Funkce ochrany proti přehřátí v případě přehřátí přístroje vypne, např. když jsou zakryty vstupní a výstupní otvory proudění vzduchu. Topné těleso odpoje z elektrické sítě vytážením ze zásuvky ve zdi. Přístroj nechte vychladnout (min. 30 minut). Zkontrolujte, zda vstupní a výstupní otvory proudění vzduchu jsou volné; bude-li to nutné, otvory vyčistěte. Topné těleso uveďte opět do provozu. Jestliže se ochrana proti přehřátí i nadále aktivuje, topné těleso odpoje z elektrické sítě vytážením ze zásuvky ve zdi a kontaktujte odborný servis.

ČIŠTĚNÍ, ÚDRŽBA

Za účelem optimálního provozu je v závislosti na míře znečištění nutné pravidelně, avšak alespoň jednou za měsíc, vyčistit.

- Před čištením přístroje vypněte a potom odpojte z elektrické sítě vytážením ze zásuvky ve zdi!
- Přístroj nechte vychladnout (min. 30 minut).
- Vstupní a výstupní otvory proudění vzduchu vyčistěte vysavačem, nástavcem s kartáčem!
- Povrch přístroje očistěte měkkým navlhčeným utěrkou. Nepoužívejte agresivní čisticí prostředky! Do vnitřních částí, ani na elektrické součástky se nesmí dotýkat voda!

TECHNICKÉ PARAMETRY

napájení:230 V - /50 Hz
 příkon:1100 / 2200 W
 maximální příkon:2000 W
 IP krytí: P20: Není chráněno proti vniknutí vody!
 rozměr topného tělesa:65 x 25 x 15 cm
 hmotnost:4,2 kg
 délka napájecího kabelu:1,5 m
 hladina hluku:60 dB(A)

* PTC (Positive Temperature Coefficient – pozitivní teplotní koeficient) je keramický polykrytalický polovodič, legovaný bariem a titanem. Hlavní předností je, že má vlastnosti samoregulační teploty, a proto není nutné činit žádná opatření proti přehřátí, tímto polovodičem vybavené přístroje jsou dále významně energeticky úsporné.

Prije korištenja proizvoda pročitajte, odnosno sačuvajte uputu za uporabu. Originalna uputa je pripremljena na mađarskom jeziku.

Djecu manju od 3 godine treba dalje držati od uređaja, izuzev, ako je osiguran njihov neprekidni nadzor. Djeca starija od 3, a mlađa od 8 godina mogu samo uključiti, odnosno isključiti uređaj, i to jedino u slučaju ako je uređaj postavljen i montiran u normalnu poziciju funkcioniranja, a osiguran je nadzor djece ili su djeca dobila upute o sigurnoj uporabi uređaja i svjesna su opasnosti koje mogu proisteći iz uporabe.

Osobe sa smanjenom fizičkom, psihičkom ili osjećajnom sposobnošću, kojima nedostaje znanje i iskustvo, i starije od 8 godina, samo u tom slučaju mogu koristiti uređaj ukoliko to čine uz nadzor, ili su dobili upute za sigurno korištenje uređaja i razumiju opasnosti koje proizlaze iz uporabe uređaja. Djeca se ne smiju igrati s uređajem. Djeca mogu čistiti ili održavati uređaj samo u slučaju da ih nadzire odrasla osoba.

POZOR: Pojedini dijelovi uređaja mogu postati izuzetno vrela i mogu prouzrokovati opekline. Posebno treba paziti ukoliko su oko uređaja djeca ili osobe koje se ne mogu starati o sebi.

UPOZORENJA

1. Uvjerite se da aparat nije oštećen tijekom transporta! • 2. Postavite jedinicu samo na vertikalnu površinu! • 3. Prilikom lociranja i montaže jedinice uzmite u obzir materijal na zidu i nosivost! • 4. Grijlač treba montirati na visini od najmanje 2 metra iznad poda! • 5. Nikad ne postavljajte uređaj izravno u kutove i poštujujte minimalne udaljenosti ugradnje navedene na slici 2. Uzmite u obzir važeće sigurnosne propise mjesta korištenja! • 6. Prije nego što uključite aparat, provjerite je li jedinica čvrsto montirana na zid! • 7. Uređaj se koristi zagrijavanje zraka, a ne u opće svrhe grijanja. • 8. Tok toplog zraka ne smije biti usmjeren na zavjese ili druge zapaljive materijale! • 9. Nemojte ga stavljati blizu zapaljivih materijala! (min 100 cm) • 10. Nemojte koristiti na mjestima na kojima se mogu osloboditi zapaljive pare ili eksplozivna prašina. Ne koristite u blizini zapaljivih materijala ili u potencijalno eksplozivnom okruženju! • 11. Upravljači samo pod stalnim nadzorom! • 12. Zabranjeno je koristiti u blizini djece bez nadzora! • 13. Samo za unutarnju uporabu, na suhom mjestu. Zaštite od vlage (npr. Kupaonice, bazeni)! • 14. Zabranjeno je koristiti uređaj u blizini kade, umivaonika, tuševa, bazena ili saune! • 15. Uređaj je zabranjen koristiti u vozilima ili u uskim prostorima (<5 m²) kao što su dizala! • 16. Ako ne namjeravate koristiti uređaj dulje vrijeme, isključite ga i zatim uklonite utikač iz utičnice. Spremite aparat na hladnom, suhom mjestu! • 17. Prije pomicanja grijalice, uvijek ga odspojite iz struje! • 18. Nije dopušteno locirati aparat izravno ispod zidne utičnice. • 19. Ako je otkrivena neka nepravilna radnja (npr. Neuobičajena buka ili izgorjeni miris iz jedinice), odmah ga isključite i odspojite! • 20. Uvjerite se da strani predmeti ili tekućina ne mogu ući u jedinicu kroz otvore! • 21. Zaštite od prašine, vlage, sunčeve svjetlosti i izravnog toplinskog zračenja! • 22. Prije čišćenja odspojite jedinicu iz napajanja! • 23. Nikada ne dodirujte aparat i kabel za napajanje mokrim rukama! • 24. Otpustite kabel napajanja potpuno! • 25. Aparat može biti priključen samo na električne zidne utičnice 230 V~ / 50 Hz! • 26. Nemojte koristiti produžne kabele ili trake za napajanje za spajanje uređaja! • 27. Nemojte voditi kabel za napajanje na uređaju ili blizu otvora na kojima se provode otvori za zrak i izvana! • 28. Uređaj treba postaviti tako da omoguću lak pristup i uklanjanje utikača! • 29. Uređaj je namijenjen samo za kućanstvo! Nije dopuštena industrijska uporaba! • 30. Zbog stalnih poboljšanja, tehnički podaci i dizajn mogu se promijeniti bez prethodne obavijesti. • 31. Korisničke upute možete preuzeti s web stranice www.somogyi.hu • 32. Ne preuzimamo odgovornost za tiskarske pogreške koje se mogu pojaviti i ispričavamo se zbog njih.

UGRADNJA NA ZID, INSTALIRANJE

1. Prije prvog uključivanja pažljivo uklonite materijal za pakiranje, pazite da ne oštetite uređaj i kabel za napajanje. Nemojte koristiti proizvod ako je na bilo koji način oštećen!
2. Uređaj se smije koristiti samo u suhim uvjetima!
3. Za pravilan rad mora se osigurati slobodan protok toplog zraka, stoga odaberite mjesto za montažu na zid prema slici 2. Nemojte smjestiti uređaj izravno ispod zidne utičnice!
4. Da biste umetnuli zidne klinove, izbušite rupe odgovarajuće veličine u zidu, najmanje 200 cm od poda, duž horizontalne linije i 575 mm jedna od druge.
5. Umetnite vijke u rupe, a zatim priložite priložene vijke u vijke tako da se glave vijaka protežu pribl. 10 mm od površine zida.
6. Objesite stražnju stijenku jedinice na glave vijaka na rupama, spustite je do kraja. Uvjerite se da grijlač sigurno visi na zidu!
7. Spojite kabel napajanja uređaja u standardnu uzemljenu zidnu utičnicu!



Opasnost od strujnog udara! Zabranjeno je rastaviti, modificirati uređaj ili njegov pribor! U slučaju oštećenja bilo kog dijela proizvoda, odmah ga isključite iz struje i obratite se stručnoj osobi!



Ako se priključni kabel za struju ošteti, njegovu zamjenu može izvršiti isključivo proizvođač, njegov serviser ili stručna osoba koja je obučena na odgovarajući način!



Zabranjeno prekriliti! Prekrivanje uređaja može dovesti do pregrijavanja, požara, strujnog udara!

ZNAČAJKE

zidna PTC* grijalica za grijanje zatvorenih prostora • podesivi izlaz (1100 / 2200 W) • načini rada: topli, vrući zrak • usmjeravanje zraka • ugrađen termostat • zaštita od pregrijavanja • 8-satni tajmer • jedni programi • prikaz temperature • sa daljinskim upravljačem

DJELLOVI (1. slika)

1. Ulaz hladnog zraka 2. Glavni prekidač 3. Napojni kabel 4. Točke montaže 5. Izlaz toplog zraka 6. Zakretne lopatice za usmjeravanje zraka 7. zasel 8. 8-satni tajmer 9. odabir stupnja grijanja 10. vjci, tip 11. indikator ventilatora 12. indikator razine grijanja – 1100 W 13. indikator razine grijanja – 2200 W 14. indikator neprekidnog otklanjanja zraka 15. indikator tjeđnog programa 16. postavke temperature / indikator otvorenog prozora 17. uključj/isključj prekidač 18. senzor otvorenog prozora 19. odabir razine grijanja 20. indikator kontinuiranog otklanjanja zraka 21. isključivanje tajmera 22. postavke temperature 23. tjedni program 24. tipke za izbor 25. OK 26. izlaz

RAD

Uređajem se može upravljati pomoću gumba na njemu ili pomoću daljinskog upravljača.

Korištenje

Nakon spajanja uređaja na električnu mrežu, uključite ga glavnim prekidačem (2). Zatim se nakratko oglašj zvucnim signalom, na zaslonu se prikazuje sobna temperatura u ° C. Aparat možete uključiti tipkom za uključivanje / isključivanje daljinskog upravljača (17). Uređaj se uključuje u načinu rada ventilatora, ne zagrijava se.

Možete koristiti tipku na daljinskom upravljaču (19) za odabir stupnja grijanja i načina rada ventilatora.

Takoder možete podesiti rad aparata podešavanjem termostata. Željenu temperaturu možete postaviti između 18 - 45 ° C pomoću tipke daljinskog upravljača (22), zatim pritisком na tipke +/- . Ako je postavljena temperatura viša za 1 - 2 ° C od izmjerene temperature, uređaj radi u niskom stupnju zagrijavanja. Ako je postavljena temperatura najmanje 3 ° C iznad izmjerene temperature, uređaj radi u visokom stupnju zagrijavanja. Ako sobna temperatura dostigne postavljenu temperaturu, uređaj se prebacuje u način rada ventilatora. Kada uređaj radi u termostatskom načinu rada, indikator (16) stalno svijetli na zaslonu. Funkciju termostata možete u bilo kojem trenutku isključiti pritisком na tipku daljinskog upravljača (19), odabirom stupnja zagrijavanja, ili pritisком na gumb (22) zatim pritisnete tipku (26) na daljinskom upravljaču.

Pomoću tipke (18) na daljinskom upravljaču uključite / isključite senzor za otvaranje prozora. Ako je funkcija aktivna, indikator (16) stalno treperi na zaslonu. Ako je funkcija aktivna, uređaj bilježi izmjerenu temperaturu 1 minutu nakon uključivanja funkcije, a zatim uspoređuje stvarne izmjerene temperature s tom vrijednošću na svakih 5 minuta. Ako je trenutna izmjerena temperatura najmanje 8 ° C niža od prvobitnog mjerenja, uređaj se isključuje radi uštede energije.

Koristite tipku (21) na daljinskom upravljaču za podešavanje vremena isključivanja, do 8 sati po satu. Tu funkciju možete isključiti tako da postavite 0 sati kao vrijeme isključivanja.

Pomoću tipke (20) uključite / isključite neprekidno otklanjanje zraka. Ako je funkcija aktivna, neznj indikator (14) stalno svijetli na zaslonu.

Sa (9) na prednjjoj strani uređaja možete uključiti uređaj spreman za rad. Pritisak na tipku jednom prebacuje uređaj u mod ventilatora. Ponovnim pritiskanjem tipke prebacuje se na stupanj niskog zagrijavanja, a pritisком na još jednom prebacuje se u stupanj visokog grijanja. Ponovnim pritiskom na tipku, prekida se trajni otklon zraka u uređaju tijekom visokog stupnja zagrijavanja. Ponovnim pritisком na tipku uređaj se isključuje.

Nakon isključivanja aparata može i dalje raditi u načinu rada ventilatora oko 30 sekundi, zatim treperi indikator načina rada ventilatora i uređaj odbrojava. Nemojte iskopčavati aparat iz struje sve dok ga ne isključite, jer ga to može oštetiti.

Tjedni program

Tjednu programsku funkciju možete postaviti ili aktivirati samo dok koristite jednu od faza grijanja, a ne osim načina rada ventilatora. Da biste koristili tjednu programsku funkciju, na uređaju morate postaviti vrijeme i datum. To biste trebali učiniti nakon svakog isključivanja. Ako ste već postavili

vrijeme na uređaju, ne možete ga promijeniti. U tom slučaju, možete odabrati iz programa izravno nakon pritiska na gumb (23). Točno vrijeme se može resetirati samo nakon isključivanja napajanja i ponovnog uključivanja. Za postavljanje točnog vremena pritisnete gumb daljinskog upravljača (23). Na zaslonu možete pročitati 01 - pomoću gumba +/- birajte trenutne dane u tjednu (01 - ponedjeljak, 02 - utorak itd.). Pritisnite (23) na daljinskom upravljaču, a zatim je na zaslonu moguće čitati 00. Koristite +/- tipke za odabir kako biste podesili stvarni sat. Pritisnite (23) na daljinskom upravljaču, a zatim ponovo možete čitati 00 na zaslonu. Koristite +/- tipke za odabir za podešavanje stvarne minute. Pritisnite (23) na daljinskom upravljaču, P1 je čitljiv na zaslonu. Pritisnite (23) ponovo za odabir programa P1 - P6, kao što je prikazano u sljedećoj tablici:

Program	Ponedjeljak	Utorak	Srijeda	Četvrtak	Petak	Subota	Nedjelja
P1	8:00-17:00	8:00-17:00	8:00-17:00	8:00-17:00	8:00-17:00	8:00-17:00	8:00-17:00
P2	18:00-7:00	18:00-7:00	18:00-7:00	18:00-7:00	18:00-7:00	18:00-7:00	18:00-7:00
P3	8:00-17:00	8:00-17:00	8:00-17:00	8:00-17:00	8:00-17:00	OFF	OFF
P4	18:00-7:00	18:00-7:00	18:00-7:00	18:00-7:00	18:00-7:00	OFF	OFF
P5	OFF	OFF	OFF	OFF	OFF	00:00-23:59	00:00-23:59
P6	SET	SET	SET	SET	SET	SET	SET

*. vrijeme isključivanja pada na drugi dan

Program P6 može se slobodno postaviti, možete podesiti vrijeme uključivanja / isključivanja za svaki dan u tjednu. Ako postavite 00 na vrijeme uključivanja / isključivanja za jedan dan u tjednu, uređaj tog dana neće izvesti zakazani program. Kada postavljate program, možete postaviti samo cijeli sat tijekom postavljanja programa, a ne minute. Uvjerite se da je na određeni dan vrijeme isključivanja postavljeno nakon vremena uključivanja.

Za postavljanje programa odaberite P6 program, a zatim pritisnete gumb OK. Tada na zaslonu treperi 1 - ponedjeljak. Pritisnite gumb OK (U redu), na zaslonu 00 je osvjetljenje, koristite +/- tipke za odabir kako biste postavili prekidač na sat. Pritisnite gumb OK, na zaslonu 00 je osvjetljenje, koristite +/- tipke za odabir kako biste podesili vrijeme isključivanja. Pritisnite gumb OK na zaslonu, 2 treperi na zaslonu - utorak. Nakon podešavanja vremena isključivanja u nedjelju i pritiska na gumb OK, program je aktivan.

Kad god odaberete program P6, uvijek možete promijeniti prethodno postavljeno program. Pritisком na tipku OK nekoliko puta, pomičite se kroz prethodno postavljene vrijednosti i promijenite ih ili ostavite.

Kada isključite aparat, on zaboravlja točno vrijeme i program postavljen za P6.

Ako je odabran bilo koji program, uređaj radi u posljednje korištenom načinu rada - ili u bilo kojoj fazi grijanja, ili u skladu s temperaturom namještenom u termostatu.

Ako je tjedni program aktivan, indikator (15) svijetli na zaslonu uređaja.

Ako je program aktivan, ali uređaj ne radi, indikator (15) treperi.

Možete uključiti / isključiti neprekidno usmjeravanje zraka u bilo kojem trenutku tijekom tjeđnog rada programa.

Ako je odabran bilo koji program, ako program ne radi kada je odabran, u nekim slučajevima uređaj se prebacuje na način rada ventilatora na 30 sekundi i zatim se zaustavlja. Oštrica zakretnog zraka ostaje otvorena.

Tjedni program možete isključiti u bilo kojem trenutku pritišćući (23) tipku na daljinskom upravljaču, zatim pritisnete tipku (26).

ČIŠĆENJE, ODRŽAVANJE

Kako bi se osiguralo optimalno funkcioniranje, jedinica može zahtijevati čišćenje najmanje jednom mjesečno, ovisno o načinu uporabe i stupnju onečišćenja.

1. Prije čišćenja isključite uređaj (isključite ga iz električne utičnice).
2. Očistite aparat da se odlaži (najmanje 30 minuta).
3. Za čišćenje otvora za ulaz i izlaz zraka koristite usisavač s nastavkom za četkicu.
4. Vanjsku površinu uređaja očistite lagano navlaženom krpom. Nemojte koristiti agresivna sredstva za čišćenje. Izbjegavajte dobivanje vode unutar uređaja i na električnim komponentama!

RJEŠAVANJE PROBLEMA

Kvar	Potencijalno rješenje
Grijalica ne grije u načinu rada grijanja.	Provjerite zaštitu od pregrijavanja! Provjerite postavke termostata!
Zaštita od pregrijavanja se aktivira često.	Očistite uređaj!
Jedinica ne reagira na daljinski upravljač.	Provjerite baterije u daljinskom upravljaču.

SPECIFIKACIJA

napajanje: 230 V / 50 Hz
snaga: 1100 / 2200 W
maksimalna snaga: 2200 W
IP zaštita: IP 20. Nije zaštićeno od prozora vode!
dimenzije grijalica: 65 x 25 x 15 cm
težina: 4,2 kg
dužina napojnog kabela: 1,5 m
razina buke: 60 dB(A)

* The PTC (Positive Temperature Coefficient – pozitivni koeficijent temperature) je keramički polikristalni poluvodič, legiran s baterijom i titanom. Prava je prednost da ima sposobnost samoregulacije temperature, tako da ne trebate nikakve mjere predostrožnosti od pregrijavanja, a uređaj je znatno uštedu energije.



EN • Waste equipment must be collected and disposed separately from household waste because it may contain components hazardous to the environment or health. Used or waste equipment may be dropped off free of charge at the point of sale, or at any distributor which sells equipment of identical nature and function. Dispose of the product at a facility specializing in the collection of electronic waste. By doing so, you will protect the environment as well as the health of others and yourself. If you have any questions, contact the local waste management organization. We shall undertake the tasks pertinent to the manufacturer as prescribed in the relevant regulations and shall bear any associated costs arising.

H • A hulladékká vált berendezést elkülönítetten gyűjtse, ne dobja a háztartási hulladékba, mert az a környezetre vagy az emberi egészségre veszélyes összetevőket is tartalmazhat! A használt vagy hulladékká vált berendezés lerészeltetésén átadható a forgalmazás helyén, illetve valamennyi forgalmazónál, amely a berendezéssel jelleghében és funkciójában azonos berendezést értékesít. Elhelyezheti elektronikai hulladék átvételére szakosodott hulladékgyűjtő helyen is. Ezzel Ön védi a környezetet, embertársai és a saját egészségét. Kérdés esetén keresse a helyi hulladékkezelő szervezetet. A vonatkozó jogszabályban előírt, a gyártóra vonatkozó feladatokat vállaljuk, az azokkal kapcsolatban felmerülő költségeket viseljük. Tájékoztatás a hulladékkezelésről: www.somogyi.hu

SK • Výrobok nevyhadzujte do bežného domového odpadu, separujte oddelene, lebo môže obsahovať súčiastky nebezpečné na životné prostredie alebo aj na ľudské zdravie! Za účelom správnej likvidácie výrobku odovzdajte ho na mieste predaja, kde bude prijatý zadarmo, respektíve u predajcu, ktorý predáva identický výrobok vzhľadom na jeho ráz a funkciu. Výrobok môžete odovzdať aj miestnej organizácii zaoberajúcej sa likvidáciou elektroodpadu. Tým chránite životné prostredie, ľudské a teda aj vlastné zdravie. Prípadné otázky Vám zodpovie Váš predajca alebo miestna organizácia zaoberajúca sa likvidáciou elektroodpadu.

RO • Colectaj în mod separat echipamentul devenit deșeu, nu-l aruncaj în gunoier menajer, pentru că echipamentul poate conține și componente periculoase pentru mediul înconjurător sau pentru sănătatea omului! Echipamentul uzat sau devenit deșeu poate fi predat nerambursabil la locul de vânzare al acestuia sau la toți distribuitorii care au pus în circulație produse cu caracteristici și funcționalități similare. Poate fi de asemenea predat la punctele de colectare specializate în recuperarea deșeurilor electronice. Prin aceasta protejezi mediul înconjurător, sănătatea Dumneavoastră și a semenilor. În cazul în care aveți întrebări, vă rugăm să luați legătura cu organizațiile locale de tratare a deșeurilor. Ne asumăm obligațiile prevederilor legale privind producătorii și suportăm cheltuielile legate de aceste obligații.

SRB-MNE • Uredaje kojima je istekao radni vek sakupljajte posebno, ne mešajte ih sa komunalnim otpadom, to oštećuje životnu sredinu i može da naruši zdravlje ljudi i životinja! Ovakvi se uređaji mogu predati na reciklažu u prodavnicama gde ste ih kupili ili prodavnicama koje prodaju slične proizvode. Elektronski otpad se može predati i određenim reciklažnim centrima. Ovim štite okolinu, svoje zdravlje i zdravlje svojih sunarodnika. U slučaju nedoumice kontaktirajte vaše lokalne reciklažne centre. Prema važećim propisima prihvatamo i nosimo svu odgovornost.

SLO • Napravam katerim je potekla življenjska doba zbirajte posebej, ne jih mešati z ostalimi gospodinjimi odpadki. To onesnažuje življenjsko sredino in lahko vpliva in ogroža zdravje ljudi in živali! Takšne naprave se lahko predajo za recikliranje v trgovinah kjer ste jih kupili ali trgovinah katere prodajajo podobne naprave. Elektronski odpadki se lahko predajo tudi v določenih reciklažnih. S tem ščitite okolje, vaše zdravje in zdravje vaših sonarodnjakov. V primeru dvoma a kontaktirajte vaše lokalne reciklažne centre. Po veljavnih predpisih se obvezujemo in nosimo vso odgovornost.

CZ • Přístroje, které již nebudete používat, shromažďujte zvlášť a tyto nevhadzujte do běžného komunálního odpadu, protože mohou obsahovat látky nebezpečné pro životní prostředí nebo škodlivé lidskému zdraví! Nepotřebné nebo nepoužitelné přístroje můžete zdarma odevzdat v místě distribuce, respektive u všech takových distributorů, kteří se zabývají prodejem zařízení, která mají stejné parametry a funkci. Odevzdat můžete i na sběrných místech určených ke shromažďování elektronického odpadu. Tak chráníte životní prostředí, své zdraví a zdraví ostatních. V případě jakéhokoli dotazu kontaktujte místní organizaci zabývající se zpracováním odpadu. Úlohy předepsané příslušnými právními předpisy vztahujícími se na výrobce vykonáváme a neseme s tímto spojené případné náklady.

HR-BIH • Uredaji koji se odlazu u otpad se trebaju izdvojeno prikupljati, odvojeno od otpada iz kućanstva, jer mogu u sebi sadržati komponente koje su opasne po okoliš i ljudsko zdravlje! Korištenji ili uređaji koji se odlazu u otpad se besplatno mogu odneti na mjesto njihove distribucije, odnosno kod takvog distributera koji vrši prodaju uređaja istih karakteristika i funkcije. Mogu se odložiti i na deponijama koji su specijalizirani za odlaganje elektronskog otpada. Ovim Vi štite Vaše okoliš, Vaše i zdravlje drugih ljudi. Ukoliko imate pitanja, obratite se lokalnoj organizaciji za odlaganje otpada. Prihvaćamo na sebe zakonom određene obveze koje su propisane za proizvođače i sve troškove koji su u vezi s tim.

EN • DISPOSING OF ALKALINE AND RECHARGEABLE BATTERIES • Batteries, whether alkaline or rechargeable, must not be handled together with regular household waste. It is the legal obligation of the product's user to dispose of batteries at a nearby collection center or at a retail shop. This ensures that the batteries are ultimately neutralized in an environment-friendly way.

H • AZ ELEMEEK, AKKUK ÁRTALMATLANÍTÁSA • Az elemeket / akkukat nem szabad a normál háztartási hulladékkal együtt kezelni. A felhasználó törvényi kötelezettsége, hogy a használt, lemerült elemeket / akkukat lakóhelye gyűjtőhelyén, vagy a kereskedelemben leadja. Így biztosítható, hogy az elemek / akkuk környezetkímélő módon legyenek ártalmatlanítva.

SK • ZNEHODNOCOVANIE BATÉRIÍ A AKUMULÁTOROV • Batérie / akumulátory nesmiete vyhodiť do komunálneho odpadu. Užívateľ je povinný odovzdať použité batérie / akumulátory do zberu pre elektrický odpad v mieste bydliska alebo v obchodoch. Touto činnosťou chránite životné prostredie, zdravie ľudí okolo Vás a Vaše zdravie.

RO • TRATAREA BATERIILOR / ACUMULATORILOR • Bateriile și acumulatorii nu pot fi tratați împreună cu deșeurile menajere. Utilizatorul are obligația legală de a preda bateriile / acumulatorii uzatți sau epuizați la punctele de colectare sau în comerț. Acest lucru asigură faptul că bateriile / acumulatorii vor fi tratați în mod ecologic.

SRB-MNE • ODLAGANJE AKUMULATORA I BATERIJA • Istrošeni akumulatori i baterije ne smeju se tretirati sa ostalim otpadom iz domaćinstva. Korisnik treba da se stara o pravilnom bezbednom odlaganju istrošenih baterija i akumulatora. Ovakvo se može štiti okolina, obezbediti da se baterije i akumulatori budu na pravilan način reciklirani.

SLO • ODLAGANJE AKUMULATORJA IN BATERIJ • Istrošeni akumulatorji in baterije se ne smejo zavreči z ostalim odpadom iz gospodinjstva. Uporabnik mora skrbeti za pravilno varno odlaganje iztrošenih baterij in akumulatorjev. Tako se lahko zaščiti okolje, poskrbi se da so baterije in akumulatorji na pravilen način reciklirane.

CZ • LIKVIDACE BATERIÍ A AKUMULÁTORŮ • S bateriemi / akumulátory se nesmí nakládat jako s běžným domovním odpadem. Zákonnou povinností uživatele je odevzdání upotřebených baterií / akumulátorů na určeném sběrném místě v bydlšti nebo v prodejnách. Tím je zajištěno zneškodnění zbytků baterií / akumulátorů ekologickým způsobem

HR-BIH • NEUTRALIZACIJA BATERIJA, AKUMULATORA • Baterije i akumulatore treba izdvojeno tretirati od smeća iz kućanstva. Korisnik je zakonom obavezan korištenje i ispražnjene baterije i akumulatore dostaviti na deponije za otpad ili ih odneti do njihovog prodavatelja. Na ovaj način se osigurava njihova pravilna neutralizacija.

Gyártó: **SOMOGYI ELEKTRONIC®**
H – 9027 Győr, Gesztenyefa út 3.
www.somogyi.hu • Származási hely: Kína

Distribútor: **SOMOGYI ELEKTRONIC SLOVENSKO s.r.o.**
Gútsky rad 3, 945 01 Komárno, SK
Tel.: +421/0/ 35 7902400 • **www.somogyi.sk**
Krajina pôvodu: Čína

Distribuitor: **S.C. SOMOGYI ELEKTRONIC S.R.L.**
J12/2014/13.06.2006 C.U.I.: RO 18761195 Cluj-Napoca, județul Cluj, România,
Str. Prof. Dr. Gheorghe Marinescu, nr. 2, Cod poștal: 400337
Tel.: +40 264 406 488 • Fax: +40 264 406 489
www.somogyi.ro • Țara de origine: China

Uvoznik za SRB: **ELEMENTA d.o.o.**
Jovana Mikića 56, 24000 Subotica, Srbija
Tel: +381(0)24 686 270 • **www.elementa.rs**
Zemlja uvoza: Mađarska • Zemlja porekla: Kína
Proizvođač: Somogyi Elektronik Kft.

Distributer za SLO: **ELEMENTA ELEKTRONIKA d.o.o.**
Cesta zmage 13A, 2000 Maribor
Tel.: 05 917 83 22, Fax: 08 386 23 64
Mail: office@elementa-e.si • **www.elementa-e.si**
Država porekla: Kitajska

Uvoznik za HR: **ZED d.o.o.**
Industrijska c. 5, 10360 Sesvete, Hrvatska • Tel: +385 1 2006 148 • **www.zed.hr**
Uvoznik za BiH: **DIGITALIS d.o.o.**
M.Spahie 2A/30, 72290 Novi Travnik, BiH • Tel: +387 61 095 095 • **www.digitalis.ba**
Zemlja podrijetla: Kína • Proizvođač: Somogyi Elektronik Kft, Gesztenyefa út 3, 9027 Győr, Mađarska