

instruction manual

**használati utasítás
návod na použitie
manual de utilizare
uputstvo za upotrebu
navodilo za uporabo
návod k použití
uputa za uporabu**



FKK 17



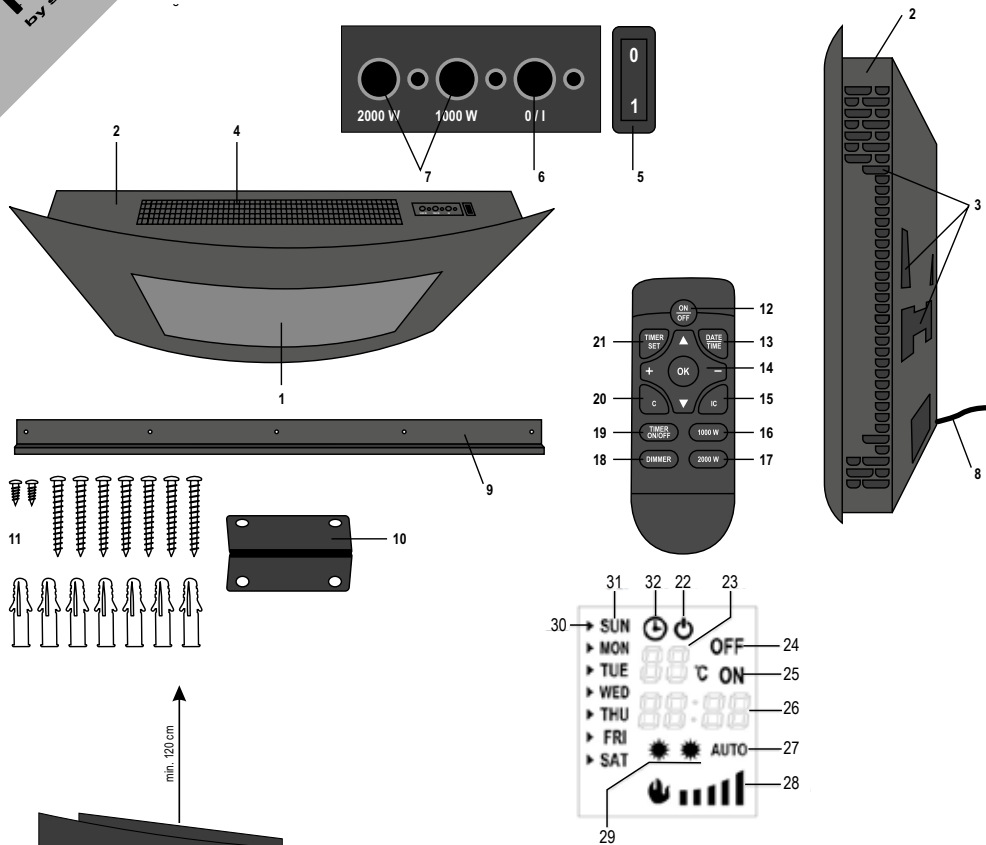


Figure 1 • 1.ábra • 1. obrázok • fig. 1. • 1. skica • 1. obrázek • Slika 1.

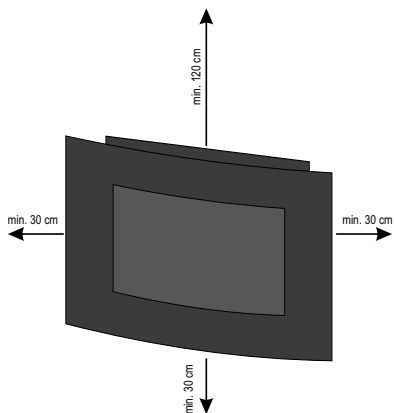


Figure 2 • 2.ábra • 2. obrázok • fig. 2. • 2. skica • 2. obrázek • Slika 2.

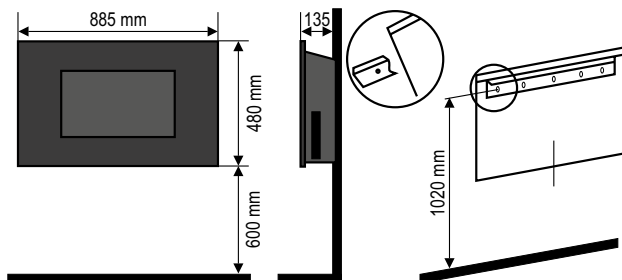


Figure 3 • 3. ábra • 3. obrázok • fig. 3. • 3. skica • 3. obrázek • Slika 3.

Children below the age of 3 years should be kept away from the appliance, except where they are under constant supervision. Children between the age of 3 and 8 may only switch the appliance on/off provided that it has been set up and installed in the normal operating position and they are under supervision, or have been instructed how to operate the appliance safely and understand the hazards associated with use.

This appliance may only be used by persons with impaired physical, sensory or mental capabilities, or lacking in experience or knowledge, as well as children from the age of 8, if they are under supervision or have been given instruction concerning use of the appliance by a person responsible for their safety and they have understood the hazards associated with use. Children should not be allowed to play with the unit.

Children may only clean or perform user maintenance on the appliance under supervision.

WARNING: Parts of this appliance can become very hot and could cause burns. Extra care should be taken when children or handicapped persons are around.

WARNINGS

1. Confirm that the appliance has not been damaged in transit.
2. Install the device only on a vertical surface.
3. When installing it, take into account the material of the wall and its load capacity.
4. Never locate the unit directly in corners and observe the minimum locating distances indicated in Figure 2. Always observe the health and safety regulations valid in the country of use.
5. Before powering the appliance on, make sure that the heater is stable on the wall.
6. The appliance should be used as intended for heating air, not for general heating purposes.
7. The stream of warm air should not be directed straight to curtains or other flammable materials.
8. The protective grill can be hot by the warm air outlet.
9. Do not locate near flammable materials. (min. 100 cm)
10. Do not use in locations where flammable vapors or explosive dust may be released. Do not use near flammable materials or in potentially explosive atmospheres.
11. Operate under constant supervision.
12. Do not operate unattended in the presence of children.
13. Only for indoor use, in a dry place. Protect from humidity (e.g. bathrooms, swimming pools).
14. It is PROHIBITED to use the unit near bathtubs, basins, showers, swimming pools or saunas.
15. It is prohibited to use the appliance in motor vehicles or in confined spaces (< 5 m²) such as elevators.
16. When not planning to use the unit for an extended period of time, switch it off then remove the power plug from the outlet. Store the appliance in a cool, dry place.
17. Power off the unit every time before relocating it.
18. It is forbidden to lift the appliance by its glass front panel.
19. It is forbidden to place the unit directly below or under a power socket.
20. If any irregular operation is detected (e.g., unusual noise or burnt odor from unit), immediately switch it off and remove the power plug.
21. Make sure that no foreign objects or liquid can enter the unit through the openings.

22. Fragile! Handle with care, broken, cracked glass can cause injury.
23. Protect from dust, humidity, sunlight and direct thermal radiation.
24. Before cleaning, unplug the appliance by pulling the plug out.
25. Do not touch the unit or the power cable with wet hands.
26. Unwind the power cable completely.
27. The appliance may only be connected to properly grounded 230 V AC/50 Hz electric wall outlets. Circuit has to be protected by a 16 A circuit-breaker.
28. Do not use an extension cord or a distributor to connect the device.
29. Do not lead the power cable on or near the air inlet and outlet openings.
30. Do not lead the power cable under carpets, doormats, etc.
31. The appliance should be located so as to allow easy access and removal of the power plug.
32. The unit is intended for household use. No industrial use is permitted.
33. Due to continuous improvements, the technical data and design may change without any prior notice.
34. The actual instruction manual can be downloaded from www.somogyi.hu website.
35. We do not take the responsibility for printing errors which may occur, and apologize for them.

INSTALLATION

Two persons are required for unpacking and installation. The glass front panel is fragile! Handle with care, the broken and cracked glass can cause injury.

1. Before switching on for the first time, carefully remove the packaging material taking care not to damage the appliance and power cable. Do not install the product if it is damaged in any way.
2. Choose the wall surface for mounting the fireplace taking Figures 2 and 3 into consideration. Please take into account that the length of the power cable is 1,7 m.
3. The unit may only be used indoors in dry conditions.
4. Do not locate the appliance directly below a wall outlet.

5. Remove the protective foam padding from the product and put them back into the carton, in their original location. Place the appliance on the carton laid onto the floor with the glass panel facing upwards.
6. Remove the glass panel from the heater by sliding the glass panel toward the switches. Place the glass panel in a safe location, away from where the appliance is being assembled. Do not remove protective film from the glass yet.
7. According to Figure 3, fasten the wall mount (9) horizontally to the wall at the desired location using the included screws and dowels. The recommended 600 mm installation height is not mandatory, however, the minimum height of 300 mm above the floor must be observed. The wall mount should be flush with the wall. Please take into account the wall's bearing capacity.
8. Using the 2 included small screws attach the lift-off prevention plate (10) onto the bottom of the heater so that the plate is flush with the wall surface.
9. Hang the heater onto the wall mount.
10. Mark the screw holes of the lift-off prevention plate on the wall.
11. Remove the heater from the wall then drill holes of appropriate size to accommodate the dowels into the wall. Insert the dowels into the holes.
12. Hang the heater back onto the wall mount then fasten the lift-off prevention plate using the screws.
13. Make sure the device is stably placed on the wall.
14. Hang the glass panel onto the heater at the 2 fixing points on both sides.
15. Verify that the unit's mains switch is in the OFF "0" position.
16. Insert 2 pcs AAA size (1,5 V) alkaline batteries into the remote controller. Insert the battery considering the polarity.
17. Plug the unit's standard grounded AC power cable into a grounded wall outlet. Now the unit is ready for operation.



Do not cover! Covering the unit can cause overheating, fire or electric shock!



Caution: Risk of electric shock!

Do not attempt to disassemble or modify the unit or its accessories. In case any part is damaged, immediately power off the unit and seek the assistance of a specialist.



In the event that the power cable should become damaged, it should only be replaced by the manufacturer, its service facility or similarly qualified personnel.

FEATURES

- electric wall-mounted decorative fireplace with built-in fan heater for heating the atmosphere of indoor premises
- attractive flame effects
- tempered glass front panel
- energy saving LED light source
- adjustable brightness
- switchable output stages (1000 W / 2000 W)
- electronic thermostat
- weekly program
- adaptive ON / OFF control
- blow out point on the top
- overheating protection
- remote control included

STRUCTURE (Figure 1)

1. glass front panel
2. heater
3. cold air inlets
4. warm air outlet grill
5. main switch
6. ON/OFF button
7. heating stage selector buttons
8. power cable
9. wall-mount console
10. lift-off prevention plate
11. screws and dowels for mounting

Remote control buttons:

12. ON / OFF switch button
13. DATE/TIME (date / time button)
14. ▲, ▼, +, -, OK (multi-selector)
15. IC (automatic heating stage ON / OFF)
16. 1000 W (heating stage selector)
17. 2000 W (heating stage selector)
18. DIMMER (flame effect dimmer)
19. TIMER ON/OFF (timer function ON / OFF)
20. C (delete button)
21. TIMER SET (setting the timer function)

Display:

22. ready status indicator
23. measured temperature / set temperature / program number
24. switch off timing
25. switch on timing
26. time
27. automatic mode
28. flame effect brightness
29. heating stage indicator
30. cursor to select days
31. the days of the week in English
32. active timer

OPERATION

The appliance can be operated using the push-buttons located on the top or using the remote control.

The unit may emit a slight odor when turned on initially, which is not a malfunction. It is harmless and evaporates quickly.

Set the main switch (5) to the I (ON) position, then it emits a short beep. The appliance can be switched on or off using the I/O push-button on top of the unit.

By being switched on, the flame effect begin to operate only, without any heating function. Holding the I/O button pressed will toggle among five brightness settings for the flame effect. The built-in fan heater can be activated in two stages, 1000 W and 2000 W by using the push-buttons. The appliance switches on and off depending on the set thermostat temperature. Pressing the same buttons again will switch off the corresponding heating stage. The appliance can be switched off anytime using the I/O push-button.

The ON / OFF button (12) on the remote control functions in the same way as the I/O button on the appliance. The 1000 W and 2000 W buttons (16 and 17) on the remote can be used to switch on or off the corresponding heating stages. The currently selected stage can be checked on the appliance. The DIMMER (18) button can be used to adjust the brightness of the flame effect in 5 increments.

To set the date and the time, turn on the unit with a remote control ON / OFF button (12), then press the DATE / TIME button (13). First select the day, by pressing the ▲, ▼, +, - symbols of the multi-selector (14) on the remote. Press the DATE / TIME button again (13), then set the clock using the selector dial „+“ and „-“ buttons. Press the DATE / TIME button again (13), then set the minute using the selector dial „+“ and „-“ buttons. Press the multi-selector (13) to store the set time by pressing the „OK“ symbol.

SUN	MON	TUE	WED	THU	FRI	SAT
Sunday	Monday	Tuesday	Wed- nesday	Thursday	Friday	Saturday

Press the IC button on the remote control (15) for automatic heating control. If „AUTO“ (27) appears on the display of the product, the automatic heating selector is activated. Depending on room temperature and set temperature, the appliance automatically selects the heating stage. To set the desired temperature, press the „+“ or „-“ symbol on the remote control selection button (14). Press the „+“ button to increase the temperature by pressing the „-“ button to reduce the desired temperature in the range of 15 °C to 30 °C.

Press the remote control IC button (18) again to turn off the function, then AUTO (27) cannot be read on the display.

Timer function, adaptive ON / OFF control

The unit can store up to 10 programs at the same time, for each program you can set the ON / OFF time. The maximum length of each program can be set to 23 hours and 50 minutes.

The product has adaptive switch-on regulation, it is able to predetermine the optimum time to start the heating process and start the heating process in order to reach the set temperature at the desired time.

Set the timing

1. Press TIMER SET on the remote control (21)
2. Use the „+“ or „-“ symbols on the multi-selector (14) to select the program number (23)
3. Press TIMER SET on the remote control again (21)
4. Use the „▲“ or „▼“ symbols of the multi-selector (14) to move the cursor (30) to the desired day (31) and press the „+“ symbol to select it. Press „-“ to remove previously selected days
5. Press TIMER SET on the remote control again (21)
6. Use the „+“ or „-“ symbols of the multi-selector (14) to select the switch-on time (hours) (26)
7. Press TIMER SET on the remote control again (21)
8. Use the „+“ or „-“ symbols on the multi-selector (14) to select the switch-on time (minutes) (26)
9. Press TIMER SET on the remote control again (21). The display shows „OFF“ (24)
10. Use the „+“ or „-“ symbols on the multi-selector (14) to select the switch-off time (hours) (26)
11. Press TIMER SET on the remote control again (21)
12. Use the „+“ or „-“ symbols of the multi selector (14) to select the switch-off time (minutes) (26)
13. Press TIMER SET on the remote control again (21)
14. Use the „+“ or „-“ symbols on the multi-selector (14) to select the desired temperature (23)
15. Press the multi-selector (14) to save the program by pressing the OK button.
16. Use the TIMER ON / OFF button (19) on the remote control to activate the timer function. When activated, the display shows the timer indication (32).

List of scheduled timings

1. Press the TIMER SET button (21) on the remote control
 2. Use the „+“ or „-“ symbols on the multi-selector (14) to see the switch-on times assigned to each program
 3. To display the switch-off dates, press the „▲“ symbol on the multi-selector (14), then use the „+“ or „-“ buttons to view the switch-off times assigned to each program
 4. Press C on the remote control (20) to cancel each program
- The built-in energy-saving, electronically controlled LED light source does not require replacement, cannot be replaced.

In the event of overheating, the overheating protection function will switch off the unit, for example, when the air inlets and outlets are covered. Power off the unit by unplugging it from the electric outlet. Allow the appliance to cool (for at least 30 minutes). Check whether the air inlets and outlets are obstructed or not, and clean them if necessary. Switch on the unit again. If the overheating protection activates again, power off the unit by unplugging it from the electric outlet and contact the service facility.

After use, please turn off the appliance using the main switch (5).

CLEANING, MAINTENANCE

In order to ensure optimum functioning, the unit may require cleaning at least once a month, depending on the manner of use and degree of contamination.

1. Switch off and power off the unit by unplugging it from the electric outlet before cleaning.
2. Let the appliance to cool (min. 30 minutes).
3. Use a vacuum cleaner to clean the air inlets (3) and outlets (4)
4. Use a slightly moistened cloth to clean the unit's outer surface. Do not use aggressive cleaners. Avoid getting water inside onto the electric components of the appliance.

TROUBLESHOOTING

Malfunction	Possible solution
The unit does not turn on at the set de	Adaptive switch on control is active – not a fault
The unit does not heat	Check the power supply
	Check the information listed at section of overheating
Flame effect does not work	Check the power supply
Overheating protection activates frequently	Clean the appliance
The unit does not respond to the remote control signals	Check the batteries of the remote control



Waste equipment must be collected and disposed separately from household waste because it may contain components hazardous to the environment or health. Used or waste equipment may be dropped off free of charge at the point of sale, or at any distributor which sells equipment of identical nature and function. Dispose of the product at a facility specializing in the collection of electronic waste. By doing so, you will protect the environment as well as the health of others and yourself. If you have any questions, contact the local waste management organization. We shall undertake the tasks pertinent to the manufacturer as prescribed in the relevant regulations and shall bear any associated costs arising.

SPECIFICATIONS

power supply:	230 V~ / 50 Hz
heating output [SSS]:	1000 W / 2000 W
LED lighting (not replaceable)	10 W
maximum output:	2010 W
IP protection:	IP20: Not protected against ingress of water.
dimensions of heater:	88,5 x 48 x 13,5 cm
weight:	13,6 kg
length of power cable:	1,7 m
noise level:	50 dB(A)

A termék használatba vétele előtt, kérjük, olvassa el az alábbi használati utasítást és őrizze is meg. Az eredeti leírás magyar nyelven készült. A 3 évesnél fiatalabb gyermekeket távol kell tartani a készüléktől, kivéve, ha folyamatos felügyelet alatt állnak. A 3 évesnél idősebb és 8 évesnél fiatalabb gyermekek csak ki-/bekapcsolhatják a készüléket, feltéve, ha azt a normál működési helyzetben helyezték el és telepítették, valamint felügyelet alatt vannak vagy a készülék biztonságos használatára vonatkozó útmutatást kapnak, és megértik a használatból adódó veszélyeket. Ezt a készüléket azok a személyek, akik csökkent fizikai, érzékelési vagy szellemi képességekkel rendelkeznek, vagy akiknek a tapasztalata és a tudása hiányzik, továbbá gyermekek 8 éves kortól csak abban az esetben használhatják, ha az felügyelet mellett történik, vagy a készülék biztonságos használatára vonatkozó útmutatást kapnak, és megértik a használatból eredő veszélyeket. Gyermekek nem játszhatnak a készülékkel. Gyermekek kizárólag felügyelet mellett végezhetik a készülék tisztítását vagy felhasználói karbantartását. **FIGYELEM: Ezen készülék néhány része nagyon forróvá válhat és égési sérülést okozhat. Különösen vigyázni kell, ha gyermekek és kiszolgáltatott emberek vannak jelen.**

FIGYELMEZTETÉSEK

1. Bizonyosodjon meg róla, hogy a készülék nem sérült meg a szállítás során!
2. A készüléket kizárólag függőleges felületre szerelje!
3. A felszerelésnél vegye figyelembe a fal alapanyagát, teherbírást!
4. Ne helyezze közvetlen sarokba, tartsa be a 2. ábrán feltüntetett minimális beépítési távolságokat! Vegye figyelembe a mindenkoriban országban érvényes biztonsági előírásokat!
5. Mielőtt áram alá helyezi a készüléket, győződjön meg róla, hogy a fűtőkészülék stabilan van a falon!
6. A készülék rendeltetése szerint csak a levegő felmelegítésére használható, általános melegítési célokra nem.
7. A kiáramló meleg levegő ne irányuljon közvetlenül függőnyre, vagy más éghető anyagra!
8. A meleg levegő kivezető nyílásnál a rács forró lehet!
9. Ne helyezze gyúlékony anyag közelébe! (min. 100 cm)
10. Tilos ott használni, ahol gyúlékony gőz vagy robbanásveszélyes por szabadulhat fel! Ne használja gyúlékony vagy robbanásveszélyes környezetben!
11. Csak folyamatos felügyelet mellett üzemeltethető!
12. Tilos gyermekek közelében felügyelet nélkül működtetni!
13. Csak száraz beltéri körülmények között használható! Óvja párás környezettől (pl. fürdőszoba, uszoda)!
14. A készüléket TILOS fürdőkád, mosdókagyló, zuhany, úszómedence vagy szauna közelében használni!
15. Tilos a készüléket gépjárművekben vagy szűk (< 5 m²), zárt helyiségekben használni (pl. lift)!
16. Ha hosszabb ideig nem használja, a készüléket kapcsolja ki, majd húzza ki a csatlakozókábelt! A készüléket száraz, hűvös helyen tárolja!
17. Mielőtt mozgatja a fűtőtestet, minden esetben áramtalanítsa azt!
18. A készüléket az üveg előlapnál fogva emelni tilos!
19. A készüléket tilos közvetlenül hálózati csatlakozóaljzat alatt elhelyezni!
20. Ha bármilyen rendellenességet észlel (pl. szokatlan zajt hall a készülékből, vagy égett szagot érez) azonnal kapcsolja ki és áramtalanítsa!

21. Ügyeljen arra, hogy a nyílásokon keresztül semmilyen tárgy vagy folyadék ne kerülhessen a készülékbe.
22. Törékeny! Óvatosan bánjon vele, az eltört, elrepedt üveg sérülést okozhat!
23. Óvja portól, párától, napsütéstől és közvetlen hősugárzástól!
24. Tisztítás előtt áramtalanítsa a készüléket a csatlakozódugó kihúzásával!
25. A készüléket és a csatlakozókábelt vizes kézzel soha ne érintse meg!
26. A csatlakozókábelt teljesen tekerje le!
27. Csak 230V~ / 50Hz feszültségű földelt fali csatlakozóaljzatba szabad csatlakoztatni! Az áramkör 16 A-es kismegszakítóval védett legyen.
28. Ne használjon hosszabbítót vagy elosztót a készülék csatlakoztatásához!
29. Ne vezesse a csatlakozókábelt a készüléken, vagy a levegő be-és kivezető nyílások közelében!
30. Ne vezesse a csatlakozókábelt szőnyeg, lábtöről, stb. alatt!
31. A készüléket úgy helyezze el, hogy a csatlakozódugó könnyen hozzáférhető, kihúzható legyen!
32. Csak magáncélú felhasználás engedélyezett, ipari nem!
33. A folyamatos továbbfejlesztések miatt műszaki adat és a dizájn előzetes bejelentés nélkül is változhat.
34. Az aktuális használati utasítás letölthető a www.somogyi.hu weboldalról.
35. Az esetleges nyomdahibákért felelősséget nem vállalunk, és elnézést kérünk.

ÜZEMBE HELYZÉS

A kicsomagoláshoz, üzembe helyezéshez két ember szükséges.

Az üveg előlap törékeny! Óvatosan bánjon vele, az eltört, elrepedt üveg sérülést okozhat!

1. Üzembe helyezés előtt óvatosan távolítsák el a csomagolóanyagot, nehogy megsértsék a készüléket vagy a csatlakozóvezetékét. Bármilyen sérülés esetén tilos üzembe helyezni!

2. A 2. és 3. ábra figyelembevételével válassza ki a fafelületet, ahová a fali kandallót fel fogja szerelni. Vegye

figyelembe, hogy a csatlakozókábel hossza 1,7 m.

3. A készülék kizárólag száraz beltéri körülmények között használható!

4. A készüléket tilos közvetlenül hálózati csatlakozóaljzat alatt elhelyezni!

5. A termékről vegyék le a hungarocell védőelemeket, majd helyezték azokat vissza a dobozba, eredeti helyükre. A padlóra fektetett dobozra helyezték rá a készüléket, üveglappal felfelé.

6. Az üveg előlapot a kapcsolók felé elmozdítva távolítsák el a fűtőttestről. Helyezzék az üveg előlapot biztonságos távolságba a szerelés helyszínétől. Az üveget védő fóliát most még ne távolítsák el.

7. A 3. ábrának megfelelően rögzítse a fali tartókonzolt (9) vízszintesen a falra, a mellékelt tiplik és csavarok segítségével. Az ajánlott 600 mm-es magasságtól eltérhet, de a minimális padlószint feletti magasság 300 mm! A konzol síkja fekdűjön fel a falra. Vegye figyelembe a fal teherbírását!

8. A fűtőttest aljára, a mellékelt 2 kis csavarral szerelje fel a leemelést gátló lemezt (10) úgy, hogy a lemez majd a fal síkjához simuljon.

9. Akasszák a fűtőttestet a fali tartókonzolra.

10. Jelölje be a falon a leemelést gátló lemez furatait.

11. Akasszák le a fűtőttestet a falról, majd a bejelölt helyen fúrjanak a tipliknek megfelelő méretű furatokat a falba. A tipliket helyezték a furatokba.

12. Akasszák vissza a fűtőttestet a fali tartókonzolra, majd rögzítsék a csavarokkal a leemelést gátló lemezt a falhoz.

13. Győződjön meg róla, hogy a fűtőkészülék stabilan van a falon!

14. Akasszák rá az üveg előlapot a fűtőttest oldalain lévő 2-2 rögzítési pontra.

15. A készülék főkapcsolója kikapcsolt (0) állásban legyen!

16. A távirányítóba helyezzen be 2 db AAA méretű (1,5V) ceruzaelemet. Ügyeljen a helyes polarításra!

17. Csatlakoztassa a készüléket szabványos földelt fali csatlakozóaljzatba! Ezzel a készülék üzemkész.



Tilos letakarni! Letakarása túlmelegedést, tűzveszélyt, áramütést okozhat!



Áramütésveszély!

Tilos a készülék vagy tartozékainak szétszerelése, átalakítása! Bármely rész megsérülése esetén azonnal áramtalanítsa és forduljon szakemberhez.



Ha a hálózati csatlakozóvezeték megsérül, akkor a cserét kizárólag a gyártó, annak javító szolgáltatója vagy hasonlóan szakképzett személy végezheti el!

JELLEMZŐK

- elektromos fali látványkandalló, beépített ventilátoros fűtőttesttel, beltéri helyiségek levegőjének felmelegítésére • hangulatos láng-effekt • edzett üveg előlap • energiatakarékos LED fényforrás • beállítható fényerő • kapható fűtési fokozatok (1000 W / 2000 W) • elektronikus termosztát • heti program • Adaptív bekapcsolás szabályozás • felső kifújási pont • túlmelegedés elleni védelem • távirányítóval

FELÉPÍTÉS (1. ábra)

1. üveg előlap
2. fűtőttest
3. hideg levegő bevezető nyílások
4. meleg levegő kivezető rács
5. főkapcsoló
6. be / ki nyomógomb
7. fűtési fokozat nyomógombok
8. hálózati csatlakozókábel
9. fali tartókonzol
10. leemelést gátló lemez
11. csavarok, tiplik a felszereléshez

A távirányító gombjai:

12. be-, kikapcsoló gomb
13. DATE/TIME (dátum / idő állító gomb)
14. ▲, ▼, +, -, OK (választógomb)
15. IC (automata fűtési fokozat be-, kikapcsolása)
16. 1000 W (fűtési fokozat választó)
17. 2000 W (fűtési fokozat választó)
18. DIMMER (fényerőszabályzó)
19. TIMER ON/OFF (időzítő funkció be-, kikapcsolása)
20. C (törlés gomb)
21. TIMER SET (időzítő funkció beállítása)

A kijelző:

22. üzemkész állapotjelző
23. mért hőmérséklet / beállított hőmérséklet / program sorszám
24. kikapcsolás időzítés
25. bekapcsolás időzítés
26. idő
27. automata üzemmód
28. lángeffektus fényerő
29. fűtési fokozat visszajelző
30. kurzor a napok kiválasztásához
31. a hét napjai, angolul
32. aktív időzítő

ÜZEMELTETÉS

A készülék a tetején lévő nyomógombokkal, vagy távirányítóval üzemeltethető.

Első bekapcsoláskor enyhe szagot érezhet, ami természetes jelenség. Veszélytelen és hamar elillan.

A főkapcsolót (5) billentsen I (be) állásba, ekkor a készülék röviden szipol. A készülék tetején lévő I/O nyomógombbal be- és kikapcsolhatja a készüléket. Bekapcsoláskor először csak a láng-effekt kezd működni, fűtés nélkül. Ha nyomva tartja az I/O gombot, akkor 5 fokozatban beállíthatja a láng-effekt fényerejét. A beépített ventilátoros fűtést két fokozatban kapcsolhatja be, a 1000 W vagy 2000 W nyomógombokkal. A készülék ilyenkor a beállított termosztát hőmérséklet függvényében kapcsol be-, illetve ki. Ugyanezen gombok ismételt megnyomásával ki is kapcsolhatja az aktuális fűtési fokozatot. A készüléket bármikor kikapcsolhatja az I/O nyomógombbal.

A távirányítón lévő be-, kikapcsoló gomb (12) funkciója megegyezik a készülék I/O gombjainak funkciójával. A távirányító 1000 W és 2000 W gombjaival (16 és 17) be-és kikapcsolhatja a gombhoz tartozó fűtési fokozatot. A kiválasztott fokozatot a készüléken tudja ellenőrizni. A DIMMER (18) gombbal 5 fokozatban állíthatja be a láng-effekt fényerejét.

Dátum és idő beállításához kapcsolja be a készüléket a távirányító be-, kikapcsoló gombjával (12), majd nyomja meg a DATE/TIME gombot (13). Először válassza ki a napot a távirányító választógombján (14) található ▲, illetve ▼ szimbólumok megnyomásával. Nyomja meg ismét a DATE/TIME gombot (13), majd állítsa be az órát a választógomb „+”, illetve „-” gombja segítségével. Nyomja meg ismét a DATE/TIME gombot (13), majd állítsa be az percet a választógomb „+”, illetve „-” gombja segítségével. A választógomb (14), „OK” szimbólumának megnyomásával tárolja el a beállított időt.

SUN	MON	TUE	WED	THU	FRI	SAT
Vasárnap	Hétfő	Kedd	Szerda	Csütörtök	Péntek	Szombat

Automatikus fűtésszabályozáshoz nyomja meg a távirányító IC nyomógombját (15). Amennyiben a termék kijelzőjén megjelent az „AUTO” felirat (27), úgy az automata fűtési fokozatválasztás be van kapcsolva. Ekkor a készülék a szoba hőmérsékletétől és a beállított hőmérséklettől függően, automatikusan választja ki a fűtési fokozatot. A kívánt hőmérséklet beállításához nyomja meg a távirányító választógombján (14) a „+”, illetve a „-” szimbólumot. A „+” gomb megnyomásával növelheti, a „-” gomb megnyomásával csökkentheti a kívánt hőmérsékletet, 15 °C és 30 °C közti tartományban.

A távirányító IC gombjának (15) ismételt megnyomásával kapcsolhatja ki a funkciót, ekkor a kijelzőn az AUTO felirat (27) nem olvasható.

Időzítő funkció, adaptív bekapcsolás szabályozás

A készülék 10 programot képes egyszerre tárolni, minden programnál beállítható a be-, illetve kikapcsolás időpontja. Az egyes programok beállítható maximális hossza 23 óra és 50 perc.

A termék adaptív bekapcsolás szabályozással rendelkezik, képes előre meghatározni a melegedési folyamat megkezdésének optimális időpontját és beindítani a fűtési folyamatot annak érdekében, hogy a kívánt időpontra elérje a beállított hőmérsékletet.

Időzítés beállítása

1. Nyomja meg a távirányító TIMER SET gombját (21)
2. A választógomb (14) „+”, illetve „-” szimbólumai segítségével válassza ki a beállítani kívánt program sorszámát (23)
3. Nyomja meg ismét a távirányító TIMER SET gombját (21)
4. A választógomb (14) „▲”, illetve „▼” szimbólumai segítségével állítsa a kurzort (30) a kívánt napra (31), majd a „+” szimbólum megnyomásával tudja azt kiválasztani. A „-” szimbólum megnyomásával tudja a korábban kiválasztott napokat eltávolítani
5. Nyomja meg ismét a távirányító TIMER SET gombját (21)
6. A választógomb (14) „+”, illetve „-” szimbólumai segítségével válassza ki a bekapcsolás idejét (óra) (26)
7. Nyomja meg ismét a távirányító TIMER SET gombját (21)
8. A választógomb (14) „+”, illetve „-” szimbólumai segítségével válassza ki a bekapcsolás idejét (perc) (26)
9. Nyomja meg ismét a távirányító TIMER SET gombját (21). A kijelzőn „OFF” feliratot fog látni (24)
10. A választógomb (14) „+”, illetve „-” szimbólumai segítségével válassza ki a kikapcsolás idejét (óra) (26)
11. Nyomja meg ismét a távirányító TIMER SET gombját (21)
12. A választógomb (14) „+”, illetve „-” szimbólumai segítségével válassza ki a kikapcsolás idejét (perc) (26)
13. Nyomja meg ismét a távirányító TIMER SET gombját (21)
14. A választógomb (14) „+”, illetve „-” szimbólumai segítségével válassza ki a kívánt hőmérsékletet (23)
15. A választógomb (14) „OK” feliratának megnyomásával tárolhatja el a programot.
16. A távirányító TIMER ON/OFF gombjával (19) aktiválhatja az időzítő funkciót. Bekapcsolása esetén a kijelzőn megjelenik az időzítő visszajelzése (32).

Beállított időzítések listázása

1. Nyomja meg a távirányító TIMER SET gombját (21)
 2. A választógomb (14) „+”, illetve „-” szimbólumai segítségével megnézheti az egyes programokhoz rendelt bekapcsolási időpontokat
 3. A kikapcsolási időpontok listázásához nyomja meg a választógomb (14) „▲” szimbólumát, majd a „+”, illetve „-” szimbólumok segítségével megnézheti az egyes programokhoz rendelt kikapcsolási időpontokat
 4. A távirányító C gombjának (20) megnyomásával törölheti az egyes programokat
- A beépített energiatakarékos, elektronikus vezérelt LED fényforrás nem igényel cserét, nem cserélhető.
- A túlmelegedés elleni védelem** túlmelegedés esetén kikapcsolja a készüléket, pl. a levegő be- és kivezető nyílások letakarásakor. Áramtalanítsa a készüléket a csatlakozódugó kihúzásával. Hagyja lehűlni

a készüléket (min. 30 perc). Ellenőrizze, szabadok-e a levegő be- és kivezető nyílások; ha kell, tisztítsa meg. Ismét helyezze üzembe a készüléket. Ha a túlmelegedés elleni védelem ekkor is aktiválódik, áramtalanítsa a készüléket a csatlakozódugó kihúzásával és forduljon szakszervizhez. Használat után kapcsolja ki a készüléket a főkapcsolójával (5).

TISZTÍTÁS, KARBANTARTÁS

A készülék optimális működése érdekében a szennyeződés mértékétől függő gyakorisággal, de legalább havonta egyszer szükséges lehet a készülék tisztítása.

1. Tisztítás előtt kapcsolja ki a készüléket, majd áramtalanítsa a csatlakozódugó kihúzásával!
2. Hagyja lehűlni a készüléket (min. 30 perc).
3. A levegő be- (3) és kivezető (4) nyílásokat porszívóval tisztítsa meg!
4. Enyhén nedves ruhával tisztítsa meg a készülék külsejét. Ne használjon agresszív tisztítószereket! A készülék belsejébe, az elektromos alkatrészekre nem kerülhet víz!

HIBAELHÁRÍTÁS

Hibajelenség	A hiba lehetséges megoldása
a készülék nem a beállított időpontban kapcsol be	aktív az adaptív bekapcsolás szabályozás – nem hiba
a készülék nem fűt	ellenőrizze a hálózati tápellátást ellenőrizze a túlmelegedésnél leírtakat
láng-effekt nem működik	ellenőrizze a hálózati tápellátást
sűrűn aktiválódik a túlmelegedés elleni védelem	tisztítsa meg a készüléket
a készülék nem reagál a távirányító jeleire	ellenőrizze a távirányító elemeit



A hulladékká vált berendezést elkülönítetten gyűjtse, ne dobja a háztartási hulladékba, mert az a környezetre vagy az emberi egészségre veszélyes összetevőket is tartalmazhat! A használt vagy hulladékká vált berendezés tértisztesen átadható a forgalmazás helyén, illetve valamennyi forgalmazónál, amely a berendezéssel jelenleg és funkciójában azonos berendezést értékesít. Elhelyezheti elektronikai hulladék átvételére szakosodott hulladékgyűjtő helyen is. Ezzel Ön védi a környezetet, embertársai és a saját egészségét. Kérdés esetén keresse a helyi hulladékezelő szervezetet. A vonatkozó jogszabályban előírt, a gyártóra vonatkozó feladatokat vállaljuk, az azokkal kapcsolatban felmerülő költségeket viseljük. Tájékoztatás a hulladékezelésről: www.somogyi.hu

MŰSZAKI ADATOK

tápellátás:	230V~ / 50 Hz
fűtési teljesítmény [Σ]:	1000 W / 2000 W
LED világítás (nem cserélhető)	10 W
maximális teljesítmény:	2010 W
IP védettség:	IP20: Víz behatolása ellen nem védett!
fűtőttest mérete:	88,5 x 48 x 13,5 cm
tömege:	13,6 kg
csatlakozókábel hossza:	1,7 m
hangnyomás:	50 dB(A)

Spotrebič držte mimo dosahu detí do 3 rokov, okrem prípadu, keď deti máte neustále pod dozorom.

Deti staršie ako 3 roky a mladšie ako 8 rokov môžu spotrebič len za- a vypnúť za predpokladu, že je umiestnený a inštalovaný vo svojej normálnej prevádzkovej polohe, ak sú deti pod dozorom alebo sú poučení o bezpečnom používaní spotrebiča a pochopia možné nebezpečenstvá pri používaní výrobku.

Spotrebič nie je určený na používanie osobami so zníženými fyzickými, zmyslovými alebo mentálnymi schopnosťami, alebo s nedostatkom skúseností a vedomostí, vrátane detí od 8 rokov, používať ho môžu len pokiaľ im osoba zodpovedá za ich bezpečnosť, poskytuje dohľad alebo ich poučí o bezpečnom používaní spotrebiča a pochopia nebezpečenstvá pri používaní výrobku. Deti by mali byť pod dohľadom, aby sa so spotrebičom nehrali. Čistenie alebo údržbu výrobku môžu vykonať deti len pod dohľadom.

POZOR: Niektoré časti tohto spotrebiča môžu byť horúce a môžu spôsobiť popáleniny. Obzvlášť treba dávať pozor, keď sú v prítomnosti spotrebiča deti a osoby so zníženými fyzickými a mentálnymi schopnosťami.

UPOZORNENIA

1. Skontrolujte, či sa prístroj nepoškodil počas prepravy!
2. Prístroj namontujte výlučne na zvislý povrch!
3. Pri montáži berte do úvahy základný materiál a zaťaženie steny!
4. Neumiestňujte ho priamo do rohu, dodržiavajte minimálne vzdialenosti podľa obrazu č. 2. Berte ohľad na bezpečnostné pokyny, ktoré môžu byť daným štátom špecifické!
5. Pred pripojením k elektrickej sieti sa presvedčte, či je prístroj stabilne namontovaný na stenu!
6. Výrobok používajte len na jeho účel, na ohrievanie vzduchu, na všeobecné ohrievanie nie.
7. Otvor vývodu vzduchu nikdy nesmerujte priamo na záclony alebo iné horľavé látky!
8. Mriežka pri otvore vývodu teplého vzduchu môže byť horúca!
9. Pri umiestnení dbajte na to, aby ste prístroj neumiestnili v bezprostrednej blízkosti horľavých látok! (min. 100 cm)
10. Prístroj je zakázaný používať v priestoroch s horľavými výpami alebo výbušným prachom! Nepoužívajte ho v horľavých a výbušných prostrediach!
11. Prístroj prevádzkujte len pod stálym dozorom!
12. Nenechajte bez dozoru v blízkosti detí!
13. Používajte len v suchom, vnútornom prostredí! Chráňte pred vlhkým prostredím (napr. kúpeľňa, plaváreň)!
14. Použitie zariadenia v blízkosti vane, umývadla, sprchy, bazénu alebo sauny je ZAKÁZANÉ!
15. Prístroj nepoužívajte v motorových vozidlách alebo v úzkych, uzavretých miestnostiach (< 5 m², napr. výtah)!
16. Ak prístroj dlhší čas nepoužívate, vypnite ho, potom odpojte ho zo siete! Prístroj uložte na suché, chladné miesto!
17. Prístroj pred premiestnením odpojte zo siete!
18. Zdvihnúť prístroj o sklenený predný kryt je zakázané!
19. Prístroj je zakázané umiestniť bezprostredne pod sieťovú zásuvku!
20. Ak počas používania zistíte akúkoľvek poruchu (napr. zvýšený hluk alebo cítite zvláštny zápach), okamžite vypnite prístroj a odpojte ho od elektrickej siete!
21. Dbajte na to, aby sa cez otvory do prístroja nedostali žiadne predmety, voda alebo tekutina.
22. Krehký! Buďte opatrní, prasknuté sklo môže zapríčiniť úraz!

23. Chráňte pred prachom, parou, slnečným a priamym tepelným žiarením!
24. Prístroj pred čistením odpojte od elektrickej siete, vytiahnite zástrčku zo siete!
25. Ohrievača a pripojovacieho kábla sa nikdy nedotknite mokrou rukou!
26. Pripojovací kábel celkom rozmotajte po jeho celej dĺžke!
27. Pripojte len do uzemnenej zásuvky s napätím: 230 V~ / 50 Hz! Elektrický obvod musí byť chránený 16 A ističom.
28. Pri pripojení prístroja do elektrickej siete nepoužívajte predlžovací prívod alebo rozbočovač!
29. Kábel nevedte cez prístroj alebo v blízkosti vývodu teplého/studeného vzduchu!
30. Prívodný kábel nevedte pod kobercom, rohožkou atď.!
31. Prístroj umiestnite tak, aby ste mali dostatok miesta na vytiahnutie zástrčky!
32. Len pre domáce účely, priemyselné použitie je zakázané!
33. Výrobca si vyhradzuje právo zmeniť technické parametre a design výrobku kedykoľvek bez predchádzajúceho upozornenia.
34. Aktuálny návod na použitie si môžete stiahnuť z webovej stránky www.somogyi.sk.
35. Za prípadné chyby v tlači nezodpovedáme a ospravedlňujeme sa za ne.

UVEDENIE DO PREVÁDZKY

K odstráneniu balenia a k uvedeniu do prevádzky sú potrebné 2 osoby.

Sklenený predný kryt je krehký! Buďte opatrní, prasknuté sklo môže zapríčiniť úraz!

1. Pred uvedením do prevádzky opatrne odstráňte balenie prístroja a dbajte na to, aby ste prístroj alebo sieťový kábel nepoškodili. V prípade poškodenia prevádzkovanie prístroja je zakázané!
2. Na základe obrázkov č. 2. a 3. vyberte povrch steny, na ktorý chcete zavesiť nástenný krb. Berte do úvahy, že dĺžka pripojovacieho kábla je 1,7 m.
3. Len na vnútorné použitie!
4. Prístroj je zakázané umiestniť pod sieťovú zásuvku!
5. Odstráňte z prístroja polystyrénové ochranné prvky,

odložte ich späť do krabice na pôvodné miesto. Umiestnite prístroj na podlahu uloženú krabicu, aby sklenený predný kryt bol smerom nahor.

6. Sklenený predný kryt odstráňte z prístroja pohybom v smere tlačidla. Odložte sklenený predný kryt na bezpečnostné miesto od miesta montáže. Ochrannú fóliu ešte neodstráňte zo skleneného krytu.

7. Na základe obrázku č. 3 priloženými skrutkami a hmoždinkami pripevnite nástennú konzolu (9) horizontálne na stenu. Výška môže byť odchylná od odporúčanej 600 mm výšky, ale minimálna výška nad podlahou má byť 300 mm! Konzolu nasadte tesne na stenu. Berte do úvahy nosnosť steny!

8. Zabezpečovací modul proti odmontovaniu (10) namontujte na spodnú časť ohrievacieho telesa pomocou 2 priložených skrutiek tak, aby ten modul bol pripevnený tesne k stene.

9. Zaveďte ohrievacie teleso na nástennú konzolu.

10. Označte na stene miesto otvorov pre zabezpečovací modul proti odmontovaniu.

11. Dajte dole ohrievacie teleso zo steny, vyvrtajte do steny otvory vhodné pre hmoždinky. Vložte hmoždinky do otvorov.

12. Zaveďte ohrievacie teleso na nástennú konzolu, potom skrutkami pripevnite na stenu zabezpečovací modul proti odmontovaniu.

13. Presvedčte sa o stabilnej montáži prístroja!

14. Zaveďte sklenený predný kryt na 2-2 upevňovacie body na bokoch ohrievacieho telesa.

15. Hlavný vypínač prístroja musí byť v polohe vypnutia (0)!

16. Do diaľkového ovládača vložte 2 kusy batérie typu AAA (1,5 V). Dbajte na správnu polaritu vložených batérií!

17. Prístroj zapojte do normalizovanej uzemnenej zásuvky elektrickej siete! Týmto je prístroj pripravený na prevádzku.



Zákaz zakrývania! Zakrytie môže spôsobiť prehriatie, vznik požiaru, elektrický skrat!



Nebezpečenstvo úrazu prúdom!

Rozoberať, prerábať prístroj alebo jeho súčasť je prísne zakázané! V prípade akéhokoľvek poškodenia prístroja alebo jeho súčasti okamžite ho odpojte od elektrickej siete a obráťte sa na odborný servis!



Ak sa poškodí pripojovací kábel, výmenu zverte výlučne výrobcovi, splnomocnenej osobe výrobcu, alebo inému odborníkovi!

CHARAKTERISTIKA

● elektrický nástenný krb so zabudovaným teplovzdušným ventilátorom na ohrievanie vnútorných priestorov ● plameňový efekt ● predný kryt z kaleného skla ● energeticky úsporný LED zdroj svetla ● regulovateľný jas ● nastaviteľné stupne ohrievania (1000 W / 2000 W) ● elektronický termostat ● týždenný program ● adaptívna regulácia zapnutia ● horný výfukový bod ● ochrana proti prehriatiu ● s diaľkovým ovládačom

KONŠTRUKCIA (1. obrázok)

- sklenený predný kryt
- ohrievacie teleso

- vstupné otvory pre studený vzduch
- výstupná mriežka pre teplý vzduch
- hlavný spínač
- za- / vypínač
- tlačidlá stupňa ohrievania
- sieťový napájací kábel
- nástenná konzola
- zabezpečovací modul proti odmontovaniu
- skrutky, hmoždinky k montáži

Tlačidlá diaľkového ovládača:

- za- / vypínač
 - DATE/TIME (tlačidlo na nastavenie dátumu / času)
 - ▲, ▼, +, -, OK (tlačidlá výberu)
 - IC (za- / vypínač automatického režimu)
 - 1000 W (tlačidlo stupňa ohrievania)
 - 2000 W (tlačidlo stupňa ohrievania)
 - DIMMER (tlačidlo regulácie jas plameňového efektu)
 - TIMER ON/OFF (za- / vypínač funkcie časovača)
 - C (tlačidlo vymazať)
 - TIMER SET (nastavenie funkcie časovača)
- Displej:**
- kontrolka prevádzkyschopnosti
 - nameraná teplota / nastavená teplota vzduchu / poradové číslo programu
 - časovač vypnutia
 - časovač zapnutia
 - čas
 - automatický režim
 - svietivosť plameňového efektu
 - kontrolka stupňa ohrievania
 - kurzor pre výber dňa
 - dni v týždni po anglicky
 - aktívny časovač

PREVÁDZKA PRÍSTROJA

Prístroj sa prevádzkuje pomocou tlačidiel na hornej časti alebo diaľkovým ovládačom.

Po prvom zapnutí prístroja môžete cítiť mierny zápach, ktorý je prirodzeným javom. Nie je nebezpečný a rýchlo sa odparí. Hlavný spínač (5) stlačte do polohy I (zapnutia), vtedy prístroj krátko pípa. Tlačidlom I/O na hornej časti prístroja môžete za-/vypnúť zariadenie. Po zapnutí funguje najprv len plameňový efekt, bez ohrievania. Počas dlhšieho stlačenia tlačidla I/O, môžete nastaviť jas plameňového efektu v 5 stupňoch. Zabudované ventilátorové ohrievanie sa dá zapnúť v 2 stupňoch, stlačením 1000 W alebo 2000 W tlačidla. Prístroj teraz bude za- a vypínať v závislosti od nastavenej teploty termostatu. Stlačením tých istých tlačidiel môžete vypnúť aktuálny ohrievací stupeň. Prístroj hocikeď môžete vypnúť tlačidlom I/O.

Na diaľkovom ovládači funkcia tlačidla za- / vypnutia (12) je totožná s funkciou tlačidla I/O na prístroji. Tlačidlami 1000 W a 2000 W (16 a 17) na diaľkovom ovládači sa za-/vypína k tlačidlu patriaci stupňa ohrievania. Zvolený stupeň sa dá skontrolovať na prístroji. Tlačidlom DIMMER (18) môžete nastaviť jas plameňového efektu v 5 stupňoch.

Na nastavenie dátumu a času zapnite prístroj pomocou za- / vypínača (12) na diaľkovom ovládači, potom stlačte tlačidlo DATE/TIME (13). Najprv vyberte deň pomocou tlačidla (14) na diaľkovom ovládači, stlačením symbolov „▲“, resp. „▼“. Opäť stlačte tlačidlo DATE/TIME (13), potom nastavte hodiny pomocou tlačidiel „+“, resp. „-“. Opäť stlačte tlačidlo DATE/TIME (13), potom nastavte minúty pomocou tlačidiel „+“, resp. „-“. Stlačením symbolu „OK“ (tlačidlo 14) uložíte nastavený čas.

SUN	MON	TUE	WED	THU	FRI	SAT
Nedeľa	Pondelok	Utorok	Streda	Štvrtok	Piatok	Sobota

Pre automatickú reguláciu ohrievania stlačte tlačidlo IC (15) na diaľkovom ovládači. Keď sa na displeji prístroja objaví nápis „AUTO“ (27), tak automatická zmena stupňov ohrievania je zapnutá. V tomto režime prístroj automaticky nastaví stupeň ohrievania podľa teploty vzduchu v miestnosti a podľa nastavenej teploty. Na nastavenie želanej teploty stlačte symboly

„+“, resp. „-“ na tlačidlo (14) diaľkového ovládača. Pomocou tlačidla „+“ môžete zvyšovať, pomocou tlačidla „-“ môžete znižovať teplotu, v rozsahu od 15 °C do 30 °C.

Ďalším stlačením tlačidla IC (15) na diaľkovom ovládači môžete vypnúť túto funkciu, na displeji sa nezobrazí nápis AUTO (27).

Funkcia časovača, adaptívna regulácia zapnutia

Do pamäte prístroja môžete uložiť naraz 10 programov, pri každom programe môžete nastaviť čas za- a vypnutia. Maximálna dĺžka jedného programu môže byť 23 hodín a 50 minút.

Prístroj disponuje adaptívnou reguláciou zapnutia, je schopný stanoviť optimálny čas začatia ohrievania a zapnúť ohrievanie, aby ste na stanovený čas dosiahli nastavenú teplotu.

Nastavenie časovača

1. Na diaľkovom ovládači stlačte tlačidlo TIMER SET (21)
2. Pomocou symbolov „+“, resp. „-“ tlačidla (14) na diaľkovom ovládači vyberte poradové číslo želaného programu (23)
3. Na diaľkovom ovládači stlačte opäť tlačidlo TIMER SET (21)
4. Pomocou symbolov „▲“, resp. „▼“ tlačidla (14) na diaľkovom ovládači nastavte kurzor (30) na vybraný deň (31), a vyberte ho stlačením symbolu „+“. Stlačením symbolu „-“ môžete vybrané dni odstrániť
5. Na diaľkovom ovládači stlačte opäť tlačidlo TIMER SET (21)
6. Pomocou symbolov „+“, resp. „-“ tlačidla (14) na diaľkovom ovládači vyberte čas (hodinu) zapnutia (26)
7. Na diaľkovom ovládači stlačte opäť tlačidlo TIMER SET (21)
8. Pomocou symbolov „+“, resp. „-“ tlačidla (14) na diaľkovom ovládači vyberte čas (minútu) zapnutia (26)
9. Na diaľkovom ovládači stlačte opäť tlačidlo TIMER SET (21). Na displeji budete vidieť nápis „OFF“ (24)
10. Pomocou symbolov „+“, resp. „-“ tlačidla (14) na diaľkovom ovládači vyberte čas (hodinu) vypnutia (26)
11. Na diaľkovom ovládači stlačte opäť tlačidlo TIMER SET (21)
12. Pomocou symbolov „+“, resp. „-“ tlačidla (14) na diaľkovom ovládači vyberte čas (minútu) vypnutia (26)
13. Na diaľkovom ovládači stlačte opäť tlačidlo TIMER SET (21)
14. Pomocou symbolov „+“, resp. „-“ tlačidla (14) na diaľkovom ovládači vyberte želanú teplotu (23)
15. Stlačením symbolu „OK“ (tlačidlo 14) uložíte nastavený čas
16. Pomocou tlačidla TIMER ON/OFF (19) na diaľkovom ovládači môžete aktivovať funkciu časovača. V prípade zapnutia funkcie objaví sa na displeji zobrazenie časovača (32)

Zoznam nastavených načasovaní

1. Stlačte tlačidlo TIMER SET (21) na diaľkovom ovládači.
2. Pomocou symbolov „+“, resp. „-“ tlačidla (14) môžete pozrieť časy zapnutia jednotlivých programov.
3. Na zobrazenie zoznamu časov vypnutia stlačte symbol „▲“ tlačidla (14), potom pomocou symbolov „+“, resp. „-“ môžete pozrieť časy vypnutia jednotlivých programov.
4. Stlačením tlačidla C (20) na diaľkovom ovládači môžete vymazať jednotlivé programy.

Zabudované, energeticky úsporné a elektricky ovládateľné LED svetidlo netreba vymeniť, nedá sa vymeniť.

Ochrana proti prehriatiu vypne prístroj v prípade prehriatia prístroja, napr. pri zakrytí vstupného alebo výstupného otvoru vzduchu. Prístroj odpojte od elektrickej siete vytiahnutím z elektrickej zásuvky. Nechajte prístroj vychladnúť (min. 30 minút). Skontrolujte otvory vstupu a výstupu vzduchu; v prípade potreby ich vyčistite. Potom prístroj znovu zapnite. Ak sa aj potom aktivuje ochrana proti prehriatiu, odpojte prístroj z elektrickej siete vytiahnutím zo zásuvky a obráťte sa na odborný servis.

Po použití vypnite prístroj hlavným spínačom (5).

ČISTENIE, ÚDRŽBA

V záujme optimálnej prevádzky prístroja a podľa miery zašpinenia, ale najmenej raz do mesiaca prístroj očistite.

1. Pred čistením vypnite prístroj a odpojte z elektrickej siete!
2. Prístroj nechajte vychladnúť (minimálne 30 min).
3. Vstupné (3) a výstupné (4) otvory vzduchu vyčistite vysávačom!
4. Prístroj poutierajte zvonka mierne vlhkou utierkou! Nepoužívajte agresívne čistiace prostriedky! Dbajte na to, aby sa do vnútra prístroja do

elektrických súčiastok nedostala voda!

RIEŠENIE PROBLÉMU

Problém	Riešenie problému
prístroj sa nezapína v nastavený čas	adaptívna regulácia zapínania je aktívna – nie je to chyba prístroja
prístroj neohrieva	skontrolujte sieťové napájanie mohla sa aktivovať ochrana proti prehriatiu
plameňový efekt nefunguje	skontrolujte sieťové napájanie
často sa aktivuje ochrana proti prehriatiu	očistite prístroj
prístroj nereaguje na diaľkový ovládač	skontrolujte batérie v diaľkovom ovládači



Výrobok nevyhadzujte do bežného domového odpadu, separujte oddelene, lebo môže obsahovať súčiastky nebezpečné na životné prostredie alebo aj na ľudské zdravie! Za účelom správnej likvidácie výrobku odovzdajte ho na mieste predaja, kde bude prijatý zdarma, resp. u predajcu, ktorý predáva identický výrobok vzhľadom na jeho ráz a funkciu. Výrobok môžete odovzdať aj miestnej organizácii zaoberajúcej sa likvidáciou elektroodpadu. Tým chránite životné prostredie, ľudské a teda aj vlastné zdravie. Prípadné otázky Vám zodpovie Váš predajca alebo miestna organizácia zaoberajúca sa likvidáciou elektroodpadu.

TECHNICKÉ ÚDAJE

napájanie:	230 V~ / 50 Hz
výkon ohrievania [ΣΣΣ] :	1000 W / 2000 W
LED osvetlenie (nedá sa vymeniť)	10 W
maximálny výkon:	2010 W
IP ochrana:	IP20: Prístroj nie je chránený proti vniknutiu vody!
rozmery ohrievača:	88,5 x 48 x 13,5 cm
hmotnosť:	13,6 kg
dĺžka napájacieho kábla:	1,7 m
hlučnosť:	50 dB(A)

Înainte de puneri în funcțiune a aparatului, vă rugăm citiți instrucțiunile de utilizare de mai jos și păstrați-le. Originalul a fost redactat în limba maghiară. Copii mai mici de 3 ani trebuie ținuti departe de aparat ori să fie sub supraveghere continuă. Copii cu vârsta între 3 și 8 ani pot porni/opri aparatul doar în cazul în care sunt supravegheați de către o persoană care răspunde de siguranța lor sau sunt informați cu privire la funcționarea aparatului în condiții de siguranță și au înțeles ce pericole pot rezulta din utilizarea necorespunzătoare. Acest aparat nu este destinat utilizării de către persoane cu capacități fizice, senzoriale sau mentale diminuate, ori de către persoane care nu au experiență sau cunoștințe suficiente (inclusiv copii); copiii peste 8 ani pot utiliza aparatul în cazul în care sunt supravegheați de către o persoană care răspunde de siguranța lor sau sunt informați cu privire la funcționarea aparatului în condiții de siguranță și au înțeles ce pericole pot rezulta din utilizarea necorespunzătoare. În cazul copiilor supravegherea este recomandabilă pentru a evita situațiile în care copiii se joacă cu aparatul. Curățarea sau întreținerea produsului de către copii este permisă numai cu supravegherea unui adult. **ATENȚIE: Unele părți ale aparatului pot deveni fierbinți și pot cauza arsuri. Recomandăm precauție sporită dacă sunt copii sau persoane vulnerabile în apropiere.**

ATENȚIONĂRI

1. Asigurați-vă că aparatul nu a suferit nici o avarie în cursul transportului!

2. Amplasați aparatul exclusiv pe o suprafață verticală!

3. La montaj trebuie să țineți cont de materialul și capacitatea portantă a peretelui de a susține greutatea aparatului!

4. Nu amplasați aparatul exact în colțul încăperii! Respectați distanțele minime de protecție specificate în Fig. 2! Pe lângă acesta, luați în considerare măsurile de siguranță aplicabile în țara Dumneavoastră!

5. Înainte de a alimenta aparatul, verificați dacă aparatul a fost fixat în mod corespunzător și stabil pe perete!

6. Aparatul poate fi folosit doar conform destinației sale, respectiv pentru încălzirea aerului, dar nu și pentru încălzirea altor substanțe.

7. Aveți grijă ca aerul cald furnizat de aparat să nu intre în contact direct cu perdele sau alte materiale inflamabile!

8. În jurul orificiului pentru evacuarea aerului cald, grilajul poate fi fierbinte!

6. Nu așezați aparatul în preajma materialelor inflamabile! (distanța minimă: 100 cm).

7. Este interzisă folosirea aparatului în locurile unde se pot forma vapori inflamabili sau pot fi eliberați pulberi care prezintă pericol de explozie. Nu folosiți aparatul în medii cu materiale inflamabile sau explozive!

8. Poate fi utilizat numai cu supraveghere continuă!

9. Dacă sunt copii în preajmă, este interzisă exploatarea fără supraveghere a aparatului!

11. Poate fi folosit doar în interior, în mediu uscat! Feriți aparatul de mediile unde sunt prezenți vapori sau aburi (ex. baie, piscină)!

12. ESTE INTERZISĂ folosirea aparatului în apropierea vanelor, cabinelor de duș, piscinelor ori a saunelor!

13. Este interzisă folosirea aparatului în autovehicule sau în încăperi înguste (< 5 m²), închise (ex. lifturi)!

14. Dacă nu veți folosi aparatul o perioadă mai lungă de timp, opriți-l și scoateți-l de sub tensiune prin extragerea fișei cablului de alimentare din priză! Păstrați într-un loc uscat și răcoros!

15. Înainte deplasării aparatului, scoateți-l de sub tensiune prin extragerea fișei cablului de alimentare din priză!

16. Este interzisă ridicarea aparatului ținut de panoul frontal din sticlă!

17. Este interzisă amplasarea aparatului lângă prize sau sub acestea!

18. Dacă observați orice neregulă sau eroare în funcționare (de ex. auziți zgomote ciudate care vin din interiorul aparatului sau simțiți că miroase a ars), opriți imediat aparatul și scoateți-l de sub tensiune!

19. Aveți grijă ca nici un obiect sau nici un fel de lichid să nu pătrundă prin orificii în aparat!

20. Frații! Manevrați aparatul cu atenție, sticla spartă sau crăpată poate provoca leziuni!

23. Nu expuneți aparatul la praf, la aburi, la incidența directă a radiației solare sau termice!

24. Înainte de a curăța aparatului, scoateți-l de sub tensiune prin extragerea fișei cablului de alimentare din priză!

25. Nu atingeți niciodată aparatul sau cablul de alimentare cu mâna umedă!

26. Desfășurați în întregime cablul de alimentare!

27. Aparatul poate fi conectat doar la o priză standard cu împământare aferentă rețelei monofazate de 230V~ / 50Hz! Circuitul trebuie protejat de un întrerupător de 16 A.

28. Nu folosiți prelungitor sau distribuitor pentru racordarea aparatului la rețeaua electrică!

29. Nu așezați cablul de alimentare pe aparat sau în apropierea orificiilor de admisie și evacuare a aerului!

30. Nu așezați cablul de alimentare sub preș, covor etc!

31. Amplasați aparatul astfel încât fișa cablului de alimentare să fie ușor accesibilă și să poată fi decuplată cu ușurință!

32. Aparatul este destinat folosinței personale. Folosirea sa cu destinație industrială este interzisă!

33. Datorită îmbunătățirii continue a produselor, unele date tehnice și de design pot fi modificate fără o înștiințare în prealabil.

34. Actualul manual de utilizare se poate descărca de pe pagina www.somogyi.ro.

35. Nu ne asumăm răspunderea pentru eventualele greșeli de tipar și ne cerem scuze.

PUNEREA ÎN FUNCȚIUNE

Pentru despachetare și punere în funcțiune este nevoie de doi oameni.

Panoul frontal din sticlă este fragil! Se manevrează cu grijă, sticla spartă sau crăpată poate provoca leziuni!

1. Înaintea punerii în funcțiune a aparatului, îndepărtați cu grijă ambalajul acestuia acționând cu atenție pentru a preveni deteriorarea produsului sau a cablului de alimentare. În cazul sesizării vreunei avarii, punerea în funcțiune este interzisă!

2. Având în vedere fig 2. și 3. selectați suprafața de perete unde urmează să montați șemineul de perete. Luați în considerare faptul, că lungimea cablului de conectare este de 1,7 m.

3. Aparatul este destinat exclusiv pentru utilizare în interior, în mediu uscat!

4. Este interzisă amplasarea aparatului sub prizele de rețea!

5. Îndepărtați de pe produs elementele de protecție și puneți-le înapoi în cutie, la locul lor. Așezați cutia pe podea și puteți astfel așeza pe acesta aparatul cu panoul de sticlă îndreptat în sus.

6. Panoul frontal din sticlă se îndepărtează de pe aparat prin deplasarea spre comutatoare. Panoul frontal din sticlă trebuie pus la o distanță de siguranță de la locul de asamblare. Nu îndepărtați încă folia de protecție de pe sticlă.

7. Conform fig. 3. montați suportul de perete (9) orizontal pe perete cu ajutorul diblurilor și a șuruburilor anexate.

Înălțimea recomandată de 600 mm poate varia, dar distanța minimă de 300 mm față de podea trebuie respectată! Planul consolei să fie aliniat la perete. Luați în considerare capacitatea portantă a peretelui!

8. Pe partea inferioară a aparatului montați cu cele 2 șuruburi mici placa de blocare a ridicării (10) în așa fel, încât acesta să fie aliniată la planul peretelui.

9. Așezați aparatul pe suportul de perete.

10. Marcați pe perete locul găurilor pentru placa de blocare a ridicării.

11. Scoateți radiatorul de pe perete și găuriți peretele în locurile marcate conform dimensiunii diblurilor. Plasati diblurile în găuri.

12. Agățați din nou aparatul pe suportul de perete și fixați cu șuruburi de perete placa de blocare a ridicării.

13. Convingeți-vă că aparatul este fixat în mod stabil pe perete!

14. Agățați panoul frontal din sticlă pe cele 2 puncte de fixare din părțile laterale ale aparatului.

15. Comutatorul principal să fie în poziția oprit (0)!

16. Introduceți 2 baterii AAA/R03 (de 1,5 V) în telecomandă, respectând polaritatea indicată!

17. Introduceți fișa aparatului într-o priză standard cu împământare. După efectuarea acestor operații, aparatul este alimentat și pregătit pentru funcționare.

componentele lui! În cazul deteriorării oricărei părți al aparatului întrerupeți imediat alimentarea aparatului și adresați-vă unui specialist!



Dacă se constată deteriorarea cablului de alimentare schimbarea lui poate fi efectuată de către fabricant, un prestator de servicii al acestuia sau un specialist cu cunoștințe adecvate!

CARACTERISTICI

● șemineu electric de perete, radiator cu ventilator încorporat, pentru încălzirea aerului din spațiile interioare ● efect de flacără ● panou frontal din sticlă securizată ● sursă de lumină LED, economică ● luminozitate reglabilă ● trepte de încălzire cuplabile (1000 W / 2000 W) ● termostat electronic ● program săptămânal ● reglare pornire adaptivă ● punct superior de evacuare ● protecție la supraîncălzire ● cu telecomandă

CONSTRUCȚIE (fig. 1.)

1. panou frontal din sticlă
2. radiator
3. orificii de admisie aer rece
4. grilaj de evacuare aer cald
5. comutator principal
6. buton pornit/oprit
7. butoane selecție trepte de încălzire
8. cablu de alimentare
9. suport de perete
10. placă de blocare a ridicării
11. șuruburi, dibluri pentru montaj

Butoanele de pe telecomandă:

12. buton pornit/oprit
13. DATE/TIME (buton setare data/ora)
14. ▲, ▼, +, -, OK (buton de selecție)
15. IC (buton pornit/oprit mod automat)
16. 1000 W (selector treaptă de încălzire)
17. 2000 W (selector treaptă de încălzire)
18. DIMMER (reglare luminozitate efect de flacără)
19. TIMER ON/OFF (buton pornit/oprit funcție timer)
20. C (buton de ștergere)
21. TIMER SET (reglare funcție timer)

Ecranul:

22. semnalarizare stare de funcționare
23. temperatură măsurată / temperatura setată / număr de ordine program
24. temporizator oprire
25. temporizator pornire
26. ora exactă
27. mod de funcționare automat
28. luminozitate efect de flacără
29. indicator treaptă de încălzire
30. cursor pentru selecția zilei
31. zilele săptămânii, în engleză
32. temporizator activ

OPERARE

Aparatul poate fi acționat cu ajutorul comutatoarelor de pe partea superioară a aparatului sau cu butoanele telecomenzii.

La prima utilizare puteți simți un miros slab, dar acest fenomen este firesc. Mirosul este inofensiv și se evaporă repede.

Înclinați comutatorul principal (5) pe poziția "I" (pornire); aparatul va emite un sunet scurt.

Cu ajutorul butonului I/O aflat pe partea superioară a aparatului puteți porni/opri aparatul.

La pornirea aparatului, doar efectul de flacără va funcționa, fără încălzire. Dacă țineți butonul I/O apăsat, puteți regla luminozitatea efectului de flacără în 5 trepte. Radiatorul cu ventilator se poate cupla în două trepte, cu butoanele de 1000 W, respectiv de 2000 W. Aparatul se va porni și opri în funcție de setările de temperatură de pe termostat. Prin apăsarea



Este interzisă acoperirea! Acoperirea poate provoca supraîncălzire, pericol de foc, pericol de electrocutare!



Pericol de electrocutare!
Niciodată nu demontați, modificați aparatul sau

repetată a acestor butoane puteți porni și opri treapta actuală de încălzire. Aparatul poate fi oprit prin apăsarea butonului I/O. Funcția butonului de pornire/oprire (12) de pe telecomandă este identică cu funcția butonului I/O. Cu butoanele 1000 W și 2000 W (16 și 17) se poate cupla puterea de încălzire aferentă. Puterea aleasă se poate verifica pe ecranul aparatului. Cu butonul DIMMER (18) puteți selecta intensitatea luminii efectului de flacără în 5 trepte.

Pentru setarea datei și orei exacte porniți aparatul cu butonul de pornire/oprire (12) de pe telecomandă, apoi apăsați butonul DATE/TIME (13). Prima dată selectați ziua cu ajutorul butoanelor de selecție „▲”, respectiv „▼” (14) de pe telecomandă. Apăsați din nou butonul DATE/TIME (13) și setați ora exactă cu simbolurile „+”, respectiv „-” de pe butonul selector. Apăsați din nou butonul DATE/TIME (13), apoi setați și minutele cu ajutorul butoanelor „+”, respectiv „-”. Prin apăsarea simbolului „OK” de pe butonul de selecție (13) puteți salva setările orei exacte.

SUN	MON	TUE	WED	THU	FRI	SAT
Duminică	Luni	Marți	Miercuri	Joi	Vineri	Sămbătă

Pentru reglarea automată a încălzirii apăsați butonul IC (15) de pe telecomandă. În cazul în care pe ecranul produsului a apărut afișat textul „AUTO” (27), selecția automată de încălzire este pornită. În acest caz aparatul selectează automat treapta de încălzire, în funcție de temperatura încăperii și de temperatura setată. Pentru setarea temperaturii apăsați pe butonul selector (14) al telecomenzii simbolurile „+”, respectiv „-”. Prin apăsarea butonului „+” puteți crește, iar prin apăsarea butonului „-” puteți scăde valoarea temperaturii dorite, în intervalul de 15 - 30 °C. Prin apăsarea repetată a butonului IC (15) al telecomenzii puteți opri funcția, când pe ecranul aparatului nu se va mai afișa textul AUTO (27). Funcția de temporizare, reglarea pornirii adaptive Aparatul poate memora 10 programe, prin care se pot seta timpii de pornire, respectiv de oprire. Durata maximă a fiecărui program este de 23 ore și 50 minute.

Aparatul dispune de pornire adaptivă, este capabil să predetermine timpul optim pentru inițierea procesului de încălzire și va porni încălzirea în vederea obținerii temperaturii setate la timpul selectat.

Setarea timer-ului, temporizarea

1. Apăsați butonul TIMER SET (21) de pe telecomandă.
2. Cu ajutorul butonului selector (14), prin apăsarea simbolurilor „+”, respectiv „-” selectați numărul de ordine al programului ce urmează să fie setat (23).
3. Apăsați din nou butonul TIMER SET (21) de pe telecomandă.
4. Cu ajutorul butonului selector (14), prin apăsarea simbolurilor „▲”, respectiv „▼” setați cursorul (30) pe ziua dorită (31), apoi cu butonul „+” selectați. Cu butonul „-” puteți șterge zilele selectate anterior.
5. Apăsați din nou butonul TIMER SET (21) de pe telecomandă.
6. Cu ajutorul butonului selector (14), prin apăsarea simbolurilor „+”, respectiv „-” selectați timpul de pornire (ora) (26).
7. Apăsați din nou butonul TIMER SET (21) de pe telecomandă.
8. Cu ajutorul butonului selector (14), prin apăsarea simbolurilor „+”, respectiv „-” selectați timpul de pornire (minut) (26).
9. Apăsați din nou butonul TIMER SET (21) de pe telecomandă. Pe ecran se va afișa textul „OFF” (24).
10. Cu ajutorul butonului selector (14), prin apăsarea simbolurilor „+”, respectiv „-” selectați timpul de oprire (ora) (26).
11. Apăsați din nou butonul TIMER SET (21) de pe telecomandă.
12. Cu ajutorul butonului selector (14), prin apăsarea simbolurilor „+”, respectiv „-” selectați timpul de oprire (minut) (26).
13. Apăsați din nou butonul TIMER SET (21) de pe telecomandă.
14. Cu ajutorul butonului selector (14), prin apăsarea simbolurilor „+”, respectiv „-” selectați temperatura (23) dorită.
15. Prin apăsarea simbolului „OK” de pe butonul selector (14) puteți salva programul setat.
16. Prin apăsarea butonului TIMER ON/OFF (19) de pe telecomandă puteți activa funcția de temporizare. În cazul activării, pe ecran se va afișa cronometrul temporizatorului (32).

Listarea temporizărilor setate

1. Apăsați butonul TIMER SET (21) de pe telecomandă
2. Cu ajutorul butonului selector (14), prin apăsarea simbolurilor „+”, respectiv „-” puteți vizualiza timpul setat de pornire la programele salvate

3. Pentru vizualizarea în formă de listă a timpilor de oprire setați, apăsați simbolul (14) „▲” de pe butonul selector și prin apăsarea simbolurilor „+”, respectiv „-” puteți să pășiți între aceștia

4. Prin apăsarea butonului C (20) de pe telecomandă puteți șterge programele setate

Sursa de lumină LED economică, controlată electronic nu necesită schimbare, nu se poate schimba.

Protecția împotriva supraîncălzirii oprește funcționarea aparatului, de ex. în cazul acoperirii orificiilor de admisie sau evacuare a aerului. Scoateți de sub tensiune aparatul prin scoaterea fișei din priză de perete. Lăsați aparatul să se răcească (min. 30 minute). Verificați dacă orificiile de intrare și evacuare a aerului sunt libere; dacă este necesar aceste orificii trebuie curățate. Dacă protecția la supraîncălzire se activează și astfel, scoateți aparatul de sub tensiune prin îndepărtarea fișei din priză de rețea și apălați la un specialist. După utilizare decuplați aparatul prin apăsarea comutatorului principal (5).

CURĂȚARE, ÎNTREȚINERE

În vederea asigurării unei funcționări optime a aparatului, în funcție de cantitatea de murdărie depusă, poate fi necesară curățarea mai frecventă sau mai rară a aparatului, asigurându-se totuși cel puțin o curățare pe lună.

1. Înainte de curățare opriți aparatul și decuplați-l de la rețeaua de alimentare prin scoaterea fișei cablului de alimentare din priză!
2. Lăsați aparatul să se răcească (timp de min. 30 de minute).
3. Curățați cu aspiratorul orificiile de admisie (3) și evacuare (4) a aerului!
4. Ștergeți exteriorul carcasei aparatului cu ajutorul unei lavete umede. Nu utilizați soluții de curățare agresive. Aveți grijă să nu pătrundă apă în interiorul aparatului, mai precis pe piesele electrice și electronice!

DEPANARE

Eroare sesizată	Rezolvare probabilă
aparatul nu pornește la timpul setat	reglarea de pornire adaptivă este activă – nu este o eroare
aparatul nu încălzește	verificați tensiunea de alimentare de la rețea verificați cele descrise la supraîncălzire
efectul de flacără nu funcționează	verificați tensiunea de alimentare de la rețea
sistemul de protecție la supraîncălzire se activează prea des	curățați aparatul
aparatul nu răspunde la comenzile de la telecomandă	verificați starea bateriilor din telecomandă



Colectați în mod separat echipamentul devenit deșeu, nu-l aruncați în gunoii menajer, pentru că echipamentul poate conține și componente periculoase pentru mediul înconjurător sau pentru sănătatea omului! Echipamentul uzat sau devenit deșeu poate fi predat nerambursabil la locul de vânzare al acestuia sau la toți distribuitorii care au pus în circulație produse cu caracteristici și funcționalități similare. Poate fi de asemenea predat la punctele de colectare specializate în recuperarea deșeurilor electronice. Prin aceasta protejați mediul înconjurător, sănătatea Dumneavoastră și a semenilor. În cazul în care aveți întrebări, vă rugăm să luați legătura cu organizațiile locale de tratare a deșeurilor. Ne asumăm obligațiile prevederilor legale privind producătorii și suportăm cheltuielile legate de aceste obligații.

DATE TEHNICE

alimentare:	230V~ / 50 Hz
putere de încălzire [ΣΣΣ]:	1000 W / 2000 W
lumină LED (nu se poate schimba)	10 W
putere maximă:	2010 W
clasa de protecție IP:	IP20: nu este protejat împotriva pătrunderii apei!
dimensiuni:	88,5 x 48 x 13,5 cm
greutate:	13,6 kg
lungime cablu de alimentare:	1,7 m
nivel de zgomot:	50 dB(A)

Decu mlađu od 3 godine ne puštati u blizinu uređaja, izuzev ako postoji konstantan nadzor odrasle odgovorne osobe.

Daca između 3 i 8 godina uređaj smeju samo da isključuju i uključuju ali samo u slučajevima ukoliko je uređaj montiran pravilno, u normalnim uslovima rada ili su pod nadzorom, ako su upućeni u njeno bezbedno i pravilno rukovanje.

Ovaj uređaj nije predviđen za upotrebu licima sa smanjenom mentalnom ili psihofizičkom mogućnošću, odnosno neiskusnim licima uključujući i decu, deca starije od 8 godina smeju da rukuju ovim uređajem samo u prisustvu odrasle osobe ili da su upućeni u bezbedno rukovanje i svesni su svih opasnosti pri radu. Deca se ne smeju igrati sa ovim proizvodom. Korisničko održavanje i čišćenaj ovog proizvoda daca smeju da vrše samo u prisustvu odrasle osobe.

NAPOMENA: Neki delovi ovog uređaja mogu biti vrell i mogu da izazovu opekotine. Pri radu treba obratiti veću pažnju u slučaju da su prisutna deca i nemoćne osobe.

NAPOMENE

1. Uverite se da se uređaj nije oštetiio u toku transporta! Zabranjena upotreba oštećenog uređaja!
2. Uređaj se sme montirati isključivo na vertikalne površine!
3. Prilikom montaže uzмите u obzir sastav i nosivost zida!
4. Ne postavite je blizu zida, držite se opisanih u tački 2! Pridržavajte se standardnih mera zaštite!
5. Pre prvog uključjenja uverite se dali je uređaj stabilno montiran!
6. Uređaj je predviđen isključivo za zagrevanje vazduha prostorija, za druge svrhe ne!
7. Vreo vazduh koji izlazi iz uređaja ne usmeravajte direktno na zavesu ili druge lako zapaljive predmete!
8. Mrežica na otvoru za topao vazduh može da bude vrelo!
9. Ne postavite je blizu zapaljivih materijala! (min. 100 cm)
10. Zabranjena upotreba u prostorijama gde se nalaze zapaljive tečnosti i gasovi, ge se oslobađaju zapaljive smese prašine itd!
11. Upotrebljiv samo uz konstantan nadzor!
12. Zabranjena upotreba u prisustvu dece bez nadzora!
13. Uporebljivo samo u suvim prostorijama! Štitite od pare (primer kupatilo, bazen)!
14. ZABRANJENA upotreba u blizini kada, umivaonika, sudopera, tuševa, sauna i bazena!
15. Zabranjena upotreba u vozilima i drugim skućenim prostorima (< 5 m²), kao što su na primer liftovi!
16. Ukoliko uređaj dluže vreme nećete koristiti isključite ga i priključni kabel izvucite iz utičnice! Uređaj čuvajte na suvom i hladnom mestu!
17. Pre pomeranja uređaja, svaki put isključite iz struje!
18. Uređaj ne pomerajte držanjem za staklo!
19. Uređaj zabranjeno postaviti direktno ispod ili blizu strujne utičnice!
20. U slučaju bilo kakve nepravilnosti pri radu, odmah isključite uređaj i priključni kabel izvucite iz zida!
21. Obratita pažnju da ništa ne uciri ili upadne u uređaj!
22. Lomljivo! Slomljeno staklo može da izazove nezgode!
23. Uređaj čuvajte od prašine, pare, direktnog uticaja sunca i toplite!
24. Pre čišćenja uvek isključite uređaj iz struje!
25. Uređaj i priključni kabel ne dodirujte vlažnim, mokrim rukama!

26. Priključni kabel treba da je potpuno odmotan!

27. Uređaj se sme uključiti samo u uzemljenu utičnicu 230V~ / 50 Hz, koji treba da je zaštićen osiguračem od 16A!

28. Ne koristite produžne kablove i razdelnike za priključen-je uređaja!

29. Priključni kabel ne sme da dodiruje telo grejalice i tako je postavite da ne bude ispred otvora za vreo vazduh!

30. Priključni kabel nemojte provlačiti ispod tepiha, otirača i sličnih predmeta!

31. Uređaj tako postavite da priključni kabel bude uvek lako dostupan!

32. Dozvoljena za upotrebu samo u privatne svrhe, nije za profesionalnu upotrebu!

33. Iz razloga konstantnog razvoja i poboljšavanja kvaliteta promene u karakteristikama i dizajnu mogu se desiti i bez najave.

34. Aktuelno uputstvo za upotrebu možete pronaći na adresi www.somogyi.hu.

35. Za eventualne štamparske greške ne odgovaramo i unapred se izvinjavamo.

PUŠTANJE U RAD

Za otpakovanje i montažu potrebna su dva lica.

Staklena ploča je lako lomljiva! Budite pažljivi, slomljeno staklo može da prouzrokuje nesreće!

1. Pažljivo odstranite ambalažu da ne bi oštetili uređaj ili priključni kabel. Oštećeni uređaj je zabranjeno koristiti!
2. Prema skicama 2. i 3. odaberite mesto gde ćete montirati kamin. Uzмите u obzir da je priključni kabel 1,7m.
3. Upotrebljivo isključivo u suvim zatvorenim prostorijama!
4. Uređaj zabranjeno postaviti direktno ispod ili blizu strujne utičnice!
5. Izvadite uređaj iz kutije i sa uređaja skinite zaštitne elemente od stiropora, stiropor vratite u kutiju, kutiju postavite na pod. Na kutiju postavite uređaj licem prema gore.
6. Staklenu ploču pomerite prema prekidačima i skinite je sa uređaja. Odložite staklo na bezbedno mesto, zaštitini omot još ne skidajte sa stakla.
7. Prema skici 3. uspomoc priloženih šarafa i tipli zidnu konzolu (9) vodoravno montirajte na zid. Može da se odstupa od preporučene visine od 600mm ali ne sme da bude

manja od 300mm! Zidna konzola treba da prijanja na zid, obratite pažnju na nosivost zida!

8. Na donju stranu uređaja uspomoc 2 priloženia malia šarafa montirajte sigurnosni lim (10).

9. Uređaj okačite na konzolu.

10. Obeležite rupe lima na zidu.

11. Skinite uređaj sa zida i na obeležena mesta izbušite odgovarajuće rupe priloženim tiplama. Tiple postavite u rupe.

12. Vratite grejalicu na zid i fiksirajte je šarafima.

13. Uverite se dali je uređaj stabilno montiran!

14. Zakačite staklo na 2-2 tačke za kačenje.

15. Glavni prekidač treba da je u isključenom položaju (0)!

16. Pazeći na polaritete postavite dve baterije AAA tipa (1,5V) u daljinski upravljač!

17. Priklučenje uređaja vršite samo u standardne zidne utičnice sa uzemljenjem! Na ovaj način priključen uređaj je spreman za rad.



Zabranjeno prekrivati! Prekrivanje može da prouzrokuje pregrevanje, požar, i strujni udar!



Opasnost od strujnog udara!

Zabranjeno rastavljati uređaj i njegove delove prepravljati! U slučaju bilo kojeg kvara ili oštećenja, odmah isključite uređaj i obratite se stručnom licu!



Ukoliko se ošteti priključni kabel, zamenu može da izvrši samo ovlašćeno lice uvoznika ili slična kvalifikovana osoba!

OSOBI NE

- električni nazidni kamin, sa ugrađenim ventilatorskim grejnim telom za zagrevanje unutrašnjih prostora ● vizuelni efekat plamena
- kaljeno prednje staklo ● ugrađeni LED štedljivi izvor svetlosti ● podešiva jačina svetla ● kapsolohatô podešiva snaga grejanja (1000 W / 2000 W) ● elektronski termostat ● nedeljni programi ● adaptivna kontrola uključjenja ● izlaz vazduha sa gornje strane ● zaštita od pregrevanja ● daljinski upravljač

SASTAVNI DELOVI (1. skica)

1. staklena prednja ploča
2. grejno telo
3. otvori za ulaz hladnog vazduha
4. rešetka za izlaz toplog vazduha
5. glavni prekidač
6. prekidač za uklj./isklj.
7. prekidač za podešavanje snage grejanja
8. priključni kabel
9. zidna konzola
10. sigurnosni lim
11. šarafi i tiple za montažu,

Tasteri daljinskog upravljača:

12. taster za uklj. i isklj.
13. DATE/TIME (podešavanje datuma / tačnog vremena)
14. ▲, ▼, +, -, OK (potvrđivanje)
15. IC (uklj. i isklj. automatskog režima)
16. 1000 W (odabir snage)
17. 2000 W (odabir snage)
18. DIMMER (podešavanje jačine svetlosnog efekta plamena)
19. TIMER ON/OFF (uklj. i isklj. tajmera)
20. C (taster za brisanje)

21. TIMER SET (podešavanje tajmera)

Displej:

22. indikator „spreman za rad“
23. merena temperatura / podešena temperatura / redni broj programa
24. tajmersko isključenje
25. tajmersko uključjenje
26. vreme
27. automatski režim
28. jačina svetlosti efekta plamena
29. indikator snage grejanja
30. strelica za odabir dana
31. dani u nedelje na engleskom jeziku
32. aktiviran tajmer

RAD UREĐAJA

Upravljanje uređajem vrši se daljinskim upravljačem ili tasterima sa gornje strane uređaja.

Prilikom prvog uključjenja može se osetiti blagi neugodan miris, to je normalna pojava. Nije opasan i brzo nestaje.

Glavni prekidač (5) postavite u poziciju I (uključen), posle čega se čuje kratko pištanje.

Sa tasterom na gornjem delu uređaja I/O možete vršiti uključjenje i isključenje uređaja.

Posle uključjenja radi samo svetlosni vizuelni efekat plamena bez grejanja. Ako taster I/O držite pritisnutim možete regulisati intenzitet svetlosnog efekta plamena u pet stepena jačine. Ug-rađeno dvostepeno ventilatorsko grejanje snage 1000 W i 2000 W možete uključiti pritiskom odgovarajućeg tastera. U ovom slučaju uređaj radi automatski prema podešenoj temperaturi termostata. Za isključenje trenutnog režima grejanja potrebno je isti taster pritisnuti još jednom. Uređaj se pritiskom tastera I/O može bilo kada isključiti.

Taster za uključivanje i isključivanje (12) na daljinskom upravljaču ima istu funkciju kao i taster I/O koji se nalazi na uređaju. Sa tasterima (16 i 17) 1000 W i 2000 W na daljinskom upravljaču možete uključiti i isključiti odgovarajući režim rada grejanja. Proveru odabranog režima rada možete izvršiti na uređaju. Sa DIMMER (18) tasterom možete intenzitet svetlosnog efekta plamena petostepenu regulaciju jačine.

Za podešavanje datuma i tačnog vremena uključite uređaj sa tasterom na daljinskom upravljaču (12), nakon toga pritisnite taster DATE/TIME (13). Prvo tasterima (14) ▲ ili ▼ "podesite dan. Ponovo pritisnite taster DATE/TIME (13), tasterima „+“, i „-“ podesite sate. Pritisnite i treći put taster DATE/TIME (13), i tasterima „+“, i „-“ podesite minute. Na kraju podešavanja pritisnite „OK“ (14) i potvrdite podešavanja.

SUN	MON	TUE	WED	THU	FRI	SAT
Nedelja	Ponedeljak	Utorak	Sreda	Četvrtak	Petak	Subota

Za automatsku kontrolu grejanja na daljinskom upravljaču pritisnite taster IC (15). Ukoliko se na displeju pojavi ispis „AUTO“ (27), uređaj se nalazi u automatskom režimu. U ovom režimu uređaj automatski podešava jačinu grejanja u zavisnosti od podešene temperature i temperature prostorije. Željena temperatura se podešava „+“, i „-“ (14) tasterima na daljinskom upravljaču. Tasterom „+“ temperatura se povećava a tasterom „-“ podešena temperatura se smanjuje, podešavanje je moguće u rasponu od 15 °C do 30 °C.

Ponovnim pritiskom IC (15) tastera funkcija se isključuje i na displeju se gasi AUTO (27) ispis.

Tajmerska funkcija, adaptivna kontrola uključjenja

U uređaj se može programirati 10 programa, za svaki program jedno uključjenje i jedno isključenje. Najduže vreme jednog programa može biti 23 sata i 50 minuta.

Proizvod podešava adaptivnu kontrolu uključjenja, pogodna je da procena automatski odredi vreme uključivanja radi optimalnog zagrevanja da bi podešena temperatura bila dostignuta do podešenog

vremena.

Podešavanje tajmera

1. Pritisnite na daljinskom upravljaču taster TIMER SET (21)
2. Tasterima (14) „+“, i „-“ odaberite redni broj programa koji želite podešavati (23)
3. Ponovo pritisnite taster TIMER SET (21)
4. Tasterima (14) „▲“, i „▼“ strelicu (30) postavite na željeni dan (31) odabrani dan se potvrđuje tasterom „+“ dok se tasterom „-“ briše odabrani dan.
5. Ponovo pritisnite taster TIMER SET (21)
6. Tasterima (14) „+“, i „-“ podesite vreme uključjenja (sat) (26)
7. Ponovo pritisnite taster TIMER SET (21)
8. Tasterima (14) „+“, i „-“ podesite vreme isključenja (minut) (26)
9. Ponovo pritisnite taster TIMER SET (21). Na displeju će se pojaviti ispis „OFF“ (24)
10. Tasterima (14) „+“, i „-“ podesite vreme isključenja (sat) (26)
11. Ponovo pritisnite taster TIMER SET (21)
12. Tasterima (14) „+“, i „-“ podesite vreme isključenja (minut) (26)
13. Ponovo pritisnite taster TIMER SET (21)
14. Tasterima (14) „+“, i „-“ podesite željenu temperaturu (23)
15. Nakon podešavanja tasterom (14) „OK“ potvrdite podešavanje.
16. Tajmerska funkcija se aktivira tasterom na daljinskom upravljaču TIMER ON/OFF (19). Ukoliko je tajmer aktivan na displeju se pojavljuje simbol (32).

Pregled podešenih tajmerskih vremena

1. Pritisnite na daljinskom upravljaču taster TIMER (21)
2. Tasterom (14) „+“, ili „-“ možete pregledati uključjenja svakog programa
3. Za pregled vremena isključenja pritisnite taster (14) „▲“, potom listu pregledajte tasterima „+“, i „-“
4. Tasterom C (20) moguće je brisanje prikazanih programa.

Ekonomični LED izvor svetlosti koji je ugrađen u uređaj nije zamenljiv.

Zaštita od pregrevanja: u slučaju pregrevanja isključuje uređaj, na primer ako su ventilacioni otvori prekriveni ili ako su jako uprljani. Uređaj isključite iz struje i ostavite je da se ohladi (min. 30 minuta), po potrebi očistite uređaj. Ponovo uključite uređaj u struju i pokrenite ga. Ako se i tada aktivira zaštita, isključite uređaj i obratite se stručnom licu.

Nakon upotrebe isključite i glavni prekidač (5).

ČIŠĆENJE, ODRŽAVANJE

A készülék optimális működése érdekében a szennyeződés mértékétől függő gyakorisággal, de legalább havonta egyszer szükséges lehet a készülék tisztítása.

Radi optimalnog rada uređaja u zavisnosti od količine prljavštine uređaj treba redovito čistiti, najpređe jedan put mesečno.

1. Pre čišćenja ispljučite uređaj i takođe je isključite iz zida!
2. Ostavite je da se ohladi (min. 30 minuta).
3. Usisne (3) i izduvne (4) otvore očistite usisivačem i četkom!
4. Vlažnom krpom očistite spoljaćnji deo uređaja, ne koristite agresivna hemijska sredstva! Obratite pažnju da ništa ne ucuri u unutrašnjost uređaja.

MOGUĆE GREŠKE I RAZLOZI

Greška	Moguća rešenja za odklanjanje greške
uređaj se ne uključuje u podešeno vreme	nije greška, aktivna je adaptivna kontrola
uređaj ne greje	proverite mrežno napajanje proverite opisane o zaštiti od pregrevanja
ne funkcioniše efekat plamena	proverite mrežno napajanje
često se aktivira zaštita od pregrevanja	očistite uređaj
uređaj ne reaguje na daljinski upravljač	proverite baterije daljinskog upravljača



Uređaje kojima je istekao radni vek sakupljajte posebno, ne mešajte ih sa komunalnim otpadom, to oštećuje životnu sredinu i može da naruši zdravlje ljudi i životinja! Ovakvi se uređaji mogu predati na reciklažu u prodavnicama gde ste ih kupili ili prodavnicama koje prodaju slične proizvode. Elektronski otpad se može predati i određenim reciklažnim centrima. Ovim štite okolinu, svoje zdravlje i zdravlje svojih sunarodnika. U slučaju neodumica kontaktirajte vaše lokalne reciklažne centre. Prema važećim propisima prihvatamo i snosimo svu odgovornost.

TEHNIČKI PODACI

napajanje:	230V~ / 50 Hz
snaga grejanja [ΣΣΣ] :	1000 W / 2000 W
LED svetlo (nije zamenljivo)	10 W
maksimalna snaga:	2010 W
IP zaštita:	IP20: Nije zaštićena od prodora vode!
dimenzije:	88,5 x 48 x 13,5 cm
masa:	13,6 kg
dužina priključnog kabela:	1,7 m
buka:	50 dB(A)

Tento přístroj mohou také osoby, které disponují sníženými fyzickými, smyslovými nebo duševními schopnostmi, nebo které nemají dostatek zkušeností či znalostí, dále děti mladší 8 let, používat pouze v takovém případě, když se tak děje pod dohledem nebo jestliže byly náležitě poučeny o používání přístroje a pochopily nebezpečí spojená s používáním přístroje. Je zakázáno, aby si s přístrojem hrály děti. Čištění nebo údržbu přístroje mohou děti provádět výlučně pod dohledem.

UPOZORNĚNÍ: Některé části tohoto přístroje mohou být horké a mohou způsobit popáleniny. Zvýšenou pozornost je třeba věnovat v případě, kdy jsou přítomné děti a nemohoucí osoby.

UPOZORNĚNÍ

1. Přesvědčte se o tom, zda přístroj nebyl během přepravy poškozen!
2. Přístroj instalujte výhradně na svislou plochu!
3. Při instalaci přihlížejte k materiálu a nosnosti stěny!
4. Neumísťujte bezprostředně do rohu, při instalaci dodržujte minimální vzdálenosti podle vyobrazení na obrázku číslo 2! Dodržujte aktuálně platné bezpečnostní předpisy platné v každé zemi!
5. Než přístroj zapojíte do elektrické sítě, ujistěte se o tom, že přístroj ne na stěně umístěn stabilně!
6. Přístroj je určen výhradně k ohřívání vzduchu, není určen k vytápění.
7. Proudící teplý vzduch nesmí být nasměrován na záclony nebo na jiné hořlavé materiály!
8. Mřížka na výstupu horkého vzduchu může být horká!
9. Neumísťujte do blízkosti hořlavých materiálů! (min. 100 cm)
10. Je zakázáno přístroj používat v takových místech, kde se mohou uvolňovat hořlavé plyny nebo výbušný prach! Nepoužívejte v hořlavém nebo výbušném prostředí!
11. Přístroj je dovoleno používat pouze při zajištění plynulého dozoru!
12. Je zakázáno používat v blízkosti dětí bez zajištění dozoru!
13. Přístroj je dovoleno používat pouze v suchých interiérech! Chraňte před vlhkem (např. koupelna, bazén)!
14. Je ZAKÁZÁNO přístroj používat v blízkosti vany, umyvadla, sprchy, bazénu nebo sauny!
15. Je zakázáno přístroj používat ve vozidlech nebo v malých (< 5 m²) uzavřených prostorách (např. výtah)!
16. Jestliže nebudete přístroj delší dobu používat, vypněte ho a vytáhněte přírodní kabel z elektrické sítě! Přístroj skladujte na suchém a chladném místě!
17. Předtím, než budete topné těleso přemísťovat, jej v každém případě odpojte z elektrické sítě!
18. Je zakázáno přístroj zdvíhat uchopením čelního skleněného panelu!
19. Je zakázáno přístroj umísťovat bezprostředně pod zásuvku elektrické sítě!
20. Jestliže zjistíte jakoukoli anomálii (např. přístroj vydává neobvyklý hluk nebo cítíte zápach spáleniny), přístroj okamžitě vypněte a odpojte z elektrické sítě!
21. Dbejte, aby se do přístroje prostřednictvím otvorů

- nedostaly žádné předměty nebo tekutiny.
22. Křehké! S výrobkem zacházejte opatrně, rozbité nebo prasklé sklo může způsobit poranění!
23. Chraňte před prachem, vlhkem, slunečním zářením a bezprostředním vlivem sálajícího tepla!
24. Před čištěním přístroj odpojte z elektrické sítě vytažením přírodního kabelu ze zásuvky ve zdi!
25. Přístroje ani přírodního kabelu se nikdy nedotýkejte vlhkými rukama!
26. Přírodní kabel odmotejte v celé délce!
27. Přístroj je dovoleno zapojovat pouze do uzemněné zásuvky ve zdi s napětím 230 V~ / 50 Hz! Proudový okruh musí být chráněn přerušovačem typu 16 A.
28. K zapojení přístroje nepoužívejte prodlužovací kabel ani rozbočku!
29. Přírodní kabel nepokládejte na přístroj, ani ho nevedte v blízkosti vstupních a výstupních otvorů vzduchu!
30. Přírodní kabel nikdy nepokládejte pod koberec, rohožku, apod.!
31. Přístroj umístěte na takové místo, aby zástrčka přírodního kabelu byla vždy snadno přístupná a bylo ji možné vytáhnout!
32. Přístroj je určen k použití v domácnosti, je zakázáno přístroj používat pro účely průmyslového využití!
33. Vzhledem k neustálým zlepšováním se mohou technické údaje a konstrukce měnit bez předchozího upozornění.
34. Aktuální uživatelskou příručku si můžete stáhnout z www.somogyi.hu.
35. Neneseme zodpovědnost za případné chyby v tisku, omlouváme se.

UVEDENÍ DO PROVOZU

K vybalení přístroje a uvedení do provozu jsou zapotřebí dvě osoby.

Čelní panel ze skla je křehký! Zacházejte s ním opatrně, protože rozbité nebo prasklé sklo může způsobit poranění!
 1. Před uvedením do provozu opatrně odstraňte obalové materiály tak, abyste nepoškodili přístroj nebo přírodní kabely. V případě jakéhokoli poškození je zakázáno přístroj zprovozňovat!

2. S přihlédnutím k pokynům vyobrazeným na obrázku číslo 2 a 3 zvolte místo na stěně, kam budete nástěnný krb instalovat. Nezapomeňte, že délka přírodního kabelu je 1,7 m.

- Přístroj je určen výhradně k používání v suchých interiérech!
- Je zakázáno přístroj umísťovat bezprostředně pod zásuvku elektrické sítě!
- Z přístroje odstraňte ochranné polystyrenové prvky a vraťte je zpátky do krabice na původní místo. Přístroj položte na krabici položenou na podlahu tak, aby skleněný panel byl situován směrem nahoru.
- Skleněný čelní panel sejměte z přístroje posunutím směrem ke spínačům. Skleněný čelní panel umístěte v bezpečné vzdálenosti od místa montáže přístroje. Zatím ještě neodstraňujte ze skla ochrannou fólii.
- Podle vyobrazení na obrázku číslo 3 připevněte nástěnnou konzoli (9) pomocí přiložených šroubů a hmoždinek vodorovně na stěnu. Doporučovaná výška 600 mm nemusí být striktně dodržena, ale minimální výška od podlahy musí být nejméně 300 mm! Plocha konzole musí těsně přiléhat na stěnu. Zohledněte nosnost stěny!
- Ke spodní části topného tělesa připevněte 2 malými přiloženými šroubky panel zamezující sejmutí (10) tak, aby panel těsně přiléhal k povrchu stěny.
- Topné těleso zavěste do nástěnné konzole.
- Na stěně vyznačte otvory pro umístění panelu zamezujícího sejmutí.
- Topné těleso sejměte ze stěny a na vyznačených místech vyvrtejte do zdi otvory v rozměrech odpovídajících hmoždinkám. Do otvorů vložte hmoždinky.
- Topné těleso zavěste do zpátky do nástěnné konzole a potom pomocí šroubů připevněte na stěnu panel zamezující sejmutí.
- Ujistěte se o tom, že topné těleso je na stěně umístěno skutečně stabilně!
- Do 2 bodů umístěných na obou stranách topného tělesa zavěste čelní skleněný panel.
- Hlavní spínač přístroje musí být nastaven v pozici vypnutu (0)!
- Do dálkového ovladače vložte 2 tužkové baterie typu AAA (1,5V). Dbejte na správnou polaritu!
- Přístroj zapojte do standardní uzemněné zásuvky elektrické sítě ve zdi! Nyní je přístroj připraven k používání.



Zakaz zakryvani! Zakryti přístroje může způsobit přehřátí, požár nebo úraz způsobený zásahem elektrického proudu.



Nebezpečí úrazu elektrickým proudem! Rozebírání a přestavba přístroje nebo jeho přislušenství je zakázáno! Při poškození kterékoli části ihned odpojte ze sítě a vyhledejte odborníka!



Jestliže dojde k poškození přípojného síťového vodiče, výměnu je oprávněn provádět výhradně výrobce, servisní služba výrobce nebo podobně odborně vyškolená osoba!

SPECIFIKACE

- nástěnný elektrický krb se zabudovaným ventilátorovým topným

tělesem, k ohřívání vzduchu v interiérech ● příjemný efekt hořícího plamene ● tvrzené čelní sklo ● energeticky úsporný světelný LED zdroj ● regulace intenzity jasu ● možnost zapnutí stupňů vytápění (1000 W / 2000 W) ● elektronický termostat ● týdenní program ● regulace adaptivního zapínání ● horní vývod vzduchu ● ochrana před přehřátím ● s dálkovým ovladačem

POPIS (1. obrázek)

- skleněný čelní panel
- topné těleso
- vstupní otvory studeného vzduchu
- mřížka pro odvádění teplého vzduchu
- hlavní spínač
- spínač pro zapínání / vypínání
- tláčítka pro nastavení stupně vytápění
- síťový přívodní kabel
- konzole pro umístění na stěnu
- panel zamezující sejmutí
- šrouby a hmoždinky pro instalaci

Tlačítka dálkového ovládní:

- tláčítko pro zapínání a vypínání
- DATE/TIME (tláčítko nastavení data / času)
- ▲, ▼, +, -, OK (tláčítka volby)
- IC (zapínání a vypínání automatického režimu)
- 1000 W (volba stupně vytápění)
- 2000 W (volba stupně vytápění)
- DIMMER (regulace intenzity jasu efektu plamene)
- TIMER ON/OFF (zapínání a vypínání funkce časovače)
- C (tláčítko pro vymazání)
- TIMER SET (nastavení funkce časovače)

Displej:

- signalizace provozního režimu
- měřená teplota / nastavená teplota / pořadové číslo programu
- načasování vypnutí
- načasování zapnutí
- čas
- automatický provozní režim
- intenzita jasu efektu plamene
- signalizace stupně vytápění
- kurzor pro volbu dne
- dny v týdnu, v angličtině
- aktivní časovač

POUŽÍVÁNÍ

Přístroj můžete ovládat tlačítky umístěnými v horní části nebo dálkovým ovladačem.

Po prvním zapnutí můžete cítit mírný zápach, což je běžný jev. Není nebezpečný a brzy vyprchá. Hlavní spínač (5) nastavte do pozice I (zapnuto), přístroj vydá krátké pípnutí.

Tlačítky I/O nacházejícími se v horní části přístroje můžete přístroj zapínat a vypínat. Bezprostředně po zapnutí bude funkční pouze efekt plamene, bez vytápění. Jestliže přidržíte tlačítko I/O stlačené, můžete nastavit celkem 5 stupňů intenzity efektu plamene. Topné těleso se zabudovaným ventilátorem můžete zapínat ve dvou výkonostních stupních, a to pomocí tlačítka pro výkon 1000 W nebo 2000 W. Spotřebič se zapíná a vypíná v závislosti na nastavené teplotě termostatu. Opakovaným stisknutím těchto tlačítek můžete aktuálně nastavený stupeň vytápění také vypnout. Přístroj kdykoli vypnete stisknutím tlačítka I/O.

Funkce tlačítka on / off tlačítko (12) je shodná s funkcí tlačítka I/O na přístroji. Pomocí tlačítek pro výkon 1000 W a 2000 W (16, 17) na dálkovém ovladači můžete zapnout nebo vypnout příslušný stupeň vytápění. Zvolený stupeň můžete zkontrolovat na přístroji. Pomocí tlačítka DIMMER (18) můžete v celkem 5 stupních nastavit intenzitu jasu efektu plamene. Pro nastavení data a času vypněte přístroj tlačítkem pro zapínání a vypínání (12) na dálkovém ovladači, potom stiskněte tlačítko DATE/TIME (13). Nejprve zvolte den, a to stisknutím symbolů ▲, resp. ▼, na tlačítku volby (14) na dálkovém ovladači. Znovu stiskněte tlačítko DATE/TIME (13) a pomocí tlačítka volby označeného znaky „+“, resp. „-“ nastavte

hodiny. Znovu stisknete tlačítko DATE/TIME (13) a pomocí tlačítka volby označeného znaky „+“, respektive „-“ nastavíte minuty. Stisknutím symbolu „OK“ na tlačítku volby (13) nastavený čas uložíte do paměti.

SUN	MON	TUE	WED	THU	FRI	SAT
Neděle	Pondělí	Úterý	Středa	Čtvrtek	Pátek	Sobota

Pro automatickou regulaci vytápění stisknete na dálkovém ovladači tlačítko IC (15). Pokud se na displeji přístroje vyobrazí nápis „AUTO“ (27), je funkce automatické volby stupně vytápění zapnutá. V takovém případě přístroj v závislosti na teplotě v místnosti a na nastavené teplotě automaticky zvolí stupeň vytápění. Pro nastavení požadované teploty stisknete na dálkovém ovladači tlačítko volby (14) se symboly „+“, respektive „-“. Stisknutím tlačítka „+“ požadovanou teplotu zvýšíte, tlačítkem „-“ teplotu snížíte, a to v rozsahu 15 °C a 30 °C.

Opětovným stisknutím tlačítka IC (18) na dálkovém ovladači tuto funkci vypnete, v takovém případě nebude na displeji vyobrazen nápis AUTO (27). Funkce časovače, regulace adaptivního zapínání
Přístroj dokáže uložit 10 programů současně, u každého programu lze nastavit čas zapnutí a vypnutí. Maximálně nastavitelná doba provozu jednotlivých programů je 23 hodin a 50 minut.

Přístroj je vybaven funkcí regulace adaptivního zapínání, což znamená, že dokáže předem určit optimální čas aktivace procesu ohřívání a spustit funkci ohřívání tak, aby teplota v požadovaném čase dosáhla nastavenou hodnotu.

Nastavení funkce časování

1. Na dálkovém ovladači stisknete tlačítko TIMER SET (21).
2. Pomocí tlačítka volby (14) a symbolu „+“, respektive „-“ zvolte pořadové číslo programu, který chcete nastavit (23).
3. Na dálkovém ovladači stisknete dvakrát tlačítko TIMER SET (21).
4. Pomocí tlačítka volby (14) nastavte pomocí symbolu „▲“, respektive „▼“ kurzor (30) na požadovaný den (31), který následovně zvolíte stisknutím symbolu „+“. Stisknutím symbolu „-“ můžete vymazat dříve zvolené dny.
5. Na dálkovém ovladači stisknete dvakrát tlačítko TIMER SET (21).
6. Pomocí tlačítka volby (14) nastavte pomocí symbolu „+“, respektive „-“ čas zapnutí (hodina) (26).
7. Na dálkovém ovladači stisknete opět tlačítko TIMER SET (21).
8. Pomocí tlačítka volby (14) nastavte pomocí symbolu „+“, respektive „-“ čas zapnutí (minuty) (26).
9. Na dálkovém ovladači stisknete znovu tlačítko TIMER SET (21). Na displeji bude vyobrazen nápis „OFF“ (24).
10. Pomocí tlačítka volby (14), respektive symbolů „+“ nebo „-“ zvolte čas vypnutí (hodina) (26).
11. Na dálkovém ovladači stisknete znovu tlačítko TIMER SET (21).
12. Pomocí tlačítka volby (14), respektive symbolů „+“ nebo „-“ zvolte čas vypnutí (minuty) (26).
13. Na dálkovém ovladači stisknete znovu tlačítko TIMER SET (21).
14. Pomocí tlačítka volby (14), respektive symbolů „+“ nebo „-“ zvolte požadovanou teplotu (23).
15. Stisknutím nápisu „OK“ na tlačítku volby (14) program uložíte do paměti.
16. Tlačítkem TIMER ON/OFF na dálkovém ovladači (19) aktivujete funkci časování. Po zapnutí se na displeji objeví signalizace funkce časování (32).

Přehled nastavených časů

1. Na dálkovém ovladači stisknete tlačítko TIMER ON/OFF (19)
2. Pomocí tlačítka volby (14), respektive symbolů „+“ nebo „-“ si můžete prohlédnout nastavené časy zapnutí přiřazené k jednotlivým programům.
3. Pro vyobrazení přehledu nastavených časů vypnutí stisknete na tlačítku volby (14) symbol „▲“, potom si pomocí symbolů „+“, respektive „-“ můžete prohlédnout nastavené časy vypnutí přiřazené k jednotlivým programům.
4. Stisknutím tlačítka C na dálkovém ovladači (20) jednotlivé programy vymažete.

Zabudovaný energeticky úsporný a elektronicky ovládaný světelný zdroj LED je bezúdržbový a nelze jej vyměňovat.

Ochrana proti přehřátí přístroj v případě přehřátí vypne, např. při zakrytí vstupních a výstupních otvorů vzduchu. Přístroj odpojte z elektrické

sítě vytážením ze zásuvky. Přístroj nechte vychladnout (min. 30 minut). Zkontrolujte, zda jsou vstupní a výstupní otvory vzduchu volné; pokud je to nutné, vyčistěte je. Přístroj opět uveďte do provozu. Jestliže se i potom aktivuje ochrana proti přehřátí, odpojte přístroj z elektrické sítě vytážením ze zásuvky a kontaktujte odborný servis.

Po skončení používání přístroj vždy vypněte hlavním spínačem (5).

ČIŠTĚNÍ, ÚDRŽBA

Za účelem optimálního provozu přístroje je nutné v závislosti na stupni znečištění pravidelně, avšak alespoň jednou za měsíc, provádět čištění přístroje.

1. Před čištěním přístroj vypněte a potom odpojte z elektrické sítě vytážením ze zásuvky elektrické sítě!
2. Přístroj nechte vychladnout (min. 30 minut).
3. Vstupní (3) a výstupní (4) otvory vzduchu vyčistěte vysavačem!
4. Vnější povrch přístroje očistěte mírně navlhlčenou utěrkou. Nepoužívejte agresivní čisticí prostředky! Do vnitřních částí přístroje, ani do elektrických dílů nesmí vniknout voda!

ŘEŠENÍ PROBLÉMŮ

Příznaky závady	Odstranění závady
Přístroj se nezapíná v předem nastaveném čase	Regulace adaptivního zapínání je aktivní – nejedná se o závadu
přístroj nevytápí	zkontrolujte zdroj síťového napětí zkontrolujte pokyny uvedené v části týkající se ochrany proti přehřátí
efekt plamene nefunguje	zkontrolujte zdroj síťového napětí
ochrana proti přehřátí se často aktivuje	přístroj vyčistěte
přístroj nereaguje na signály dálkového ovladače	zkontrolujte baterie v dálkovém ovladači



Přístroje, které již nebudete používat, shromažďujte zvlášť a tyto nevhazujte do běžného komunálního odpadu, protože mohou obsahovat látky nebezpečné pro životní prostředí nebo škodlivé lidskému zdraví! Nepotřebné nebo nepoužitelné přístroje můžete zdarma odevzdat v místě distribuce, respektive u všech takových distributorů, kteří se zabývají prodejem zařízení, která mají stejné parametry a funkci. Odevzdat můžete i na sběrných místech určených ke shromažďování elektronického odpadu. Tak chráníte životní prostředí, své zdraví a zdraví ostatních. V případě jakéhokoliv dotazu kontaktujte místní organizaci zabývající se zpracováváním odpadu. Úlohy předepsané příslušnými právními předpisy vztahujícími se na výrobce vykonáváme a neseme s tímto spojené případné náklady.

TECHNICKÉ PARAMETRY

topný výkon [سكس]:	1000 W / 2000 W
LED osvětlení (nem cserelhető)	10 W
maximální výkon:	2010 W
IP ochrana:	IP20: Není chráněno proti vniknutí vody!
rozměry topného tělesa:	88,5 x 48 x 13,5 cm
hmotnost:	13,6 kg
délka přívodního kabelu:	1,7 m
hladina hluku:	50 dB(A)

Djecu manju od 3 godine treba dalje držati od uređaja, izuzev, ako je osiguran njihov neprekidni nadzor.

Djeca starija od 3, a mlađa od 8 godina mogu samo uključiti, odnosno isključiti uređaj, i to jedino u slučaju ako je uređaj postavljen i montiran u normalnu poziciju funkcioniranja, a osiguran je nadzor djece ili su djeca dobila upute o sigurnoj uporabi uređaja i svjesna su opasnosti koje mogu proisteci iz uporabe.

Osobe sa smanjenom fizičkom, psihičkom ili osjećajnom sposobnošću, kojima nedostaje znanje i iskustvo, i starije od 8 godina, samo u tom slučaju mogu koristiti uređaj ukoliko to čine uz nadzor, ili su dobili upute za sigurno korištenje uređaja i razumiju opasnosti koje proizlaze iz uporabe uređaja. Djeca se ne smiju igrati s uređajem. Djeca mogu čistiti ili održavati uređaj samo u slučaju da ih nadzire odrasla osoba.

POZOR: Pojedini dijelovi uređaja mogu postati izuzetno vrelli i mogu prouzrokovati opekline. Posebno treba paziti ukoliko su oko uređaja djeca ili osobe koje se ne mogu starati o sebi.

UPOZORENJA

1. Provjerite da li se uređaj oštetiio tijekom transporta.
2. Montaža uređaja samo na okomitu površinu.
3. Prilikom montaže uzmite u obzir materijal zida i njegovu nosivost.
4. Nikada ne postavljajte uređaj izravno u kutove i poštuje minimalne udaljenosti navedene na slici 2. Uvijek poštuje zdravstvene i sigurnosne propise koji vrijede u zemlji korištenja.
5. Prije uključivanja provjerite je li uređaj pričvršćen i stabilan na zidu.
6. Uređaj se treba koristiti u za dogrijavanje zraka, a ne za opće namjene grijanje.
7. Mlaz vrućeg zraka ne bi trebalo biti usmjerena ka zavjesama ili drugim zapaljivim materijalima.
8. Zaštitna rešetka može biti vruća na mjestu izlaza vrućeg zraka.
9. Ne postavljajte uređaj blizu zapaljivih materijala (min. 100 cm)
10. Nemojte ga koristiti na mjestima gdje su zapaljive pare ili eksplozivne prašine. Ne koristite ga u blizini zapaljivih materijala ili u potencijalnom eksplozivnom okruženju.
11. Dok uređaj radi treba biti pod stalnim nadzorom.
12. Ne koristite uređaj bez nadzoru u prisustvu djece.
13. Za unutarnju upotrebu, na suhim mjestima. Zaštiti od vlage (npr. kupaonice, bazeni).
14. ZABRANJENO je koristiti uređaj u blizini kada, umivaonika, tuševa, bazena ili saune.
15. Zabranjeno je koristiti uređaj u vozilima ili u skućenim (< 5 m²) prostorima kao što su dizala.
16. Kada ne planirate koristiti uređaj duže vrijeme isključite ga tako što ćete isključiti i utikač iz utičnice. Uređaj držite na suhom i hladnom mjestu.
17. Prije premještanja isključite utikač iz utičnice.
18. Zabranjeno je podizati uređaj njegovim prednjim staklenim poklopcem.
19. Zabranjeno je postavljati uređaj neposredno ispod zidne utičnice.
20. Ako se utvrdi nepravilan rad (npr. neobična buka ili miris paljevine iz uređaja), odmah ga isključite i isključite utikač iz utičnice.
21. Provjerite da nema stranih predmeta ili tekućina koje

mogu ući u uređaj kroz otvore.

22. Lomljivo! Sa uređajem treba rukovati oprezno, slomljeno i napuknuto staklo može izazvati povrede.
23. Zaštitiite od prašine, vlage, sunca i izravnog toplinskog zračenja.
24. Isključite uređaj iz električne mreže prije čišćenja.
25. Ne dirajte uređaj ili kabel za napajanje mokrim rukama.
26. U potpunosti odmotajte kabel za napajanje.
27. Uređaj mora biti priključen na 230 V~ / 50 Hz uzemljenu električnu zidnu utičnicu. Strujni krug mora biti zaštićen osiguračem 16A.
28. Ne koristite produžne kabele ili strujne razdjelnike za spajanje uređaja.
29. Ne postavljajte kabel za napajanje preko uređaja ili blizu ulaznih i izlaznih otvora za zrak.
30. Ne postavljajte kabel za napajanje ispod tepiha, vrata i sl.
31. Uređaj treba biti pozicioniran tako da omogućava jednostavan pristup i uklanjanje utikača.
32. Uređaj je namijenjen samo za kućnu uporabu. Industrijska uporaba nije dozvoljena.
33. Zbog stalnog poboljšanja, dizajn i specifikacije mogu se promijeniti bez prethodne najave.
34. Priručnik se uputama može se preuzeti s web stranice www.somogyi.hu.
35. Ne preuzimamo odgovornost za tiskarske pogreške i ispričavamo se ako ih ima.

POSTAVLJANJE

Za raspakiranje i postavljanje potrebne su dvije osobe.

The glass front panel is fragile! Handle with care, the broken and cracked glass can cause injury.

1. Prije prvog uključivanja pažljivo uklonite ambalažni materijal pazeći da ne oštetiite uređaj i kabel za napajanje. Ne instalirajte proizvod ako je na bilo koji način oštećen.
2. Odaberite zidnu površinu za ugradnju kamina uzimajući u obzir slike 2 i 3. Uzmite u obzir da je dužina kabela za napajanje 1,7 m.
3. Uređaj je samo za unutarnju upotrebu u suhim uslovima.
4. Ne postavljajte uređaj izravno ispod zidne utičnice.
5. Uklonite zaštitnu oblogu od pjene s proizvoda i vratite je natrag u karton. Postavite uređaj na kartonu postavljen na

pod, tako da je staklena ploča okrenuta prema gore.
6. Odvojite staklenu ploču sa grijalice gurenjem ploče prema prekidačima. Staklenu ploču odložite na sigurno mjesto, dalje od mjesta gdje se uređaj postavlja. Još nemojte uklanjati zaštitnu foliju.

7. Prema slici 3, pričvrstite zidni nosač (9) vodoravno na zid na željenom mjestu pomoću vijaka i tipli. Preporučena visina ugradnje od 600 mm nije obvezna, ali se mora pridržavati minimalne visine od 300 mm iznad poda. Zidni nosač treba izravnati sa zidom. Uzmite u obzir nosivost zida.

8. Pomoću 2 mala vijka pričvrstite sigurnosnu ploču (10) na dno grijalice tako da se ploča poravnava s površinom zida.

9. Postavite grijalicu na zidni nosač.

10. Označite rupe za vijke na sigurnosnoj ploči na zidu.

11. Uklonite grijalicu sa zida, a zatim izbušite rupe odgovarajuće veličine kako bi se tiplovi mogli umetnuti u zid. U rupe umetnite tipove.

12. Vratite grijalicu na zidni držač, zatim vijcima pričvrstite sigurnosnu ploču.

13. Provjerite je li uređaj stabilno postavljen na zid.

14. Staklena ploča vratite na grijalicu i pričvrstite s obje strane.

15. Provjerite je li glavni prekidač uređaja u položaju „0“ isključeno.

16. U daljinski upravljač umetnite 2 kom alkalnih baterija AAA (1,5 V). Umetnite bateriju pazeći na polaritet.

17. Ukopčajte napojni kabel uređaja u uzemljenu zidnu utičnicu. Uređaj je sada spreman za rad.



Zabranjeno prekriti! Prekrivanje uređaja može dovesti do pregrijavanja, požara, strujnog udara



Opasnost od strujnog udara!

Zabranjeno je rastaviti, modificirati uređaj ili njegov pribor! U slučaju oštećenja bilo kog dijela proizvoda, odmah ga isključite iz struje i obratite se stručnoj osobi!



Ako se priključni kabel za struju ošteti, njegovu zamjenu može izvršiti isključivo proizvođač, njegov servis ili stručna osoba koja je obučena na odgovarajući način!

ZNAČAJKE

● električni zidni dekorativni kamin s ugrađenim ventilatorom za dogrijavanje zraka zatvorenih prostorija ● atraktivni efekt plamena ● prednja ploča od kaljenog stakla ● LED izvor svjetlosti koji štodi energiju ● podesivo osvjetljenje ● promjenjivi nivoi snage grijanja (1000 W / 2000 W) ● elektronički termostat ● tjedni program ● podesiva ON / OFF kontrola ● izlaz zraka na vrhu ● zaštita od pregrijavanja ● daljinski upravljač

DIJELOVI UREĐAJA (Slika 1)

1. staklena prednja strana
2. grijalica
3. ulaz za hladni zrak
4. rešetka za izlaz vrućeg zraka
5. glavni prekidač
6. prekidač za uključivanje / isključivanje

7. prekidači za nivoje grijanja

8. kabel za napajanje

9. zidna konzola

10. sigurnosna ploča

11. vijci i tiplje za ugradnju

Tipke na daljinskom upravljaču:

12. ON / OFF tipka

13. DATE/TIME (tipka za podešavanje datum / vrijeme)

14. ▲, ▼, +, -, OK (tipke za navigaciju, podešavanje, potvrda)

15. IC (automatski nači rada uključivanje / isključivanje)

16. 1000 W (odabir nivoa grijanja)

17. 2000 W (odabir nivoa grijanja)

18. DIMMER (efekt plamena, podešavanje jačine svjetlosti)

19. TIMER ON/OFF (funkcija timera, uključjenje/ isključenje)

20. C (tipka za brisanje)

21. TIMER SET (tipka za podešavanje timera)

Zaslon:

22. indikator stanja

23. izmjerena temperatura / podešena temperatura / programski broj

24. isključivanje timera

25. uključivanje timera

26. vrijeme

27. automatski način rada

28. svjetlina efekta plamena

29. indikator stupnja grijanja

30. kursor za odabir dana

31. dani u tjednu, na engleskom jeziku

32. timer aktivan

RAD

Uređajem se može upravljati pomoću tipki smještenih na vrhu ili pomoću daljinskog upravljača. Uređaj može emitirati blagi miris kada se prvobitno uključi, što nije kvar. Bezopasan je i brzo isparava.

Postavite glavni prekidač (5) u položaj I (UKLJ) i tada će se oglasiti kratkim zvučnim signalom.

Uređaj se može uključiti ili isključiti pomoću tipke I / O na vrhu uređaja.

Uključenjem, efekt plamena počinje sa radom, bez ikakve funkcije grijanja. Držanjem pritisnute I / O tipke mijenjamo između pet postavki svjetline za efekt plamena. Ugrađeni ventilator i grijanje može se aktivirati na dva nivoa, 1000 W i 2000 W. Uređaj se uključuje i isključuje ovisno o postavljenoj temperaturi termostata. Ako ponovno pritisnete iste tipke, isključit ćete odgovarajući nivo grijanja. Uređaj se može isključiti bilo kada pomoću I / O tipke.

Tipka ON / OFF (12) na daljinskom upravljaču funkcionira na isti način kao i I / O tipka na uređaju. Tipke od 1000 W i 2000 W (16 i 17) na daljinskom upravljaču mogu se koristiti za uključivanje ili isključivanje odgovarajućih nivoa grijanja. Trenutno odabrani način može se provjeriti na uređaju. Tipka DIMMER (18) može se koristiti za podešavanje svjetline efekta plamena u 5 koraka.

Da biste podesili datum i vrijeme, uključite uređaj pomoću daljinskog upravljača tipkom za uključivanje / isključivanje (12), zatim pritisnite tipku DATUM / VRIJEME (13). Prvo odaberite dan pritiskom na simbole „▲“ ili „▼“ (14) na daljinskom upravljaču. Ponovno pritisnite tipku DATUM / VRIJEME (13), a zatim podesite sat pomoću tipki za odabir „+“ i „-“. Ponovno pritisnite tipku DATUM / VRIJEME (13), a zatim podesite minuta pomoću tipki za odabir „+“ i „-“. Za spremanje zadanog vremena pritiskom na simbol „OK“.

SUN	MON	TUE	WED	THU	FRI	SAT
Nedjelja	Ponedjeljak	Utorak	Srijeda	Četvrtak	Petak	Subota

Pritisnite IC tipku na daljinskom upravljaču (15) za automatsko upravljanje grijanjem. Ako se na zaslonu uređaja pojavi „AUTO“ (27), aktivira se automatski izbornik grijanja. Ovisno o sobnoj

temperaturi i postavljenoj temperaturi, uređaj automatski bira stupanj grijanja. Da biste postavili željenu temperaturu, pritisnite simbol „+“ ili „-“ tipkom za odabir na daljinskom upravljaču (14). Pritisnite tipku „+“ za povećanje temperature pritiskom na tipku „-“ za smanjenje željene temperature u rasponu od 15 ° C do 30 ° C.

Ponovno pritisnite IC tipku daljinskog upravljača (18) da biste isključili funkciju, a zatim se na zaslonu ne može očitati AUTO (27). Funkcija timera, podesevo ON / OFF kontrola

Uređaj može istovremeno pohraniti do 10 programa i za svaki program možete postaviti ON / OFF vrijeme. Maksimalna dužina svakog programa može se podesiti na 23 sata i 50 minuta.

Uređaj ima prilagodljivu regulaciju uključivanja, može unaprijed odrediti optimalno vrijeme za pokretanje postupka grijanja i pokretanje postupka grijanja kako bi se postigla zadana temperatura u željenom vremenu.

Timer

1. Pritisnite TIMER SET na daljinskom upravljaču (21)
2. Koristite „+“ ili „-“ simbol na tipki odabira (14) za odabir broja programa (23)
3. Pritisnite TIMER SET na daljinskom upravljaču ponovo (21)
4. Koristite „▲“ ili „▼“ simbol (14) za pomjeranje kursora (30) na željeni dan (31), te pritisnite „+“ simbol za odabir. Pritisnite „-“ za uklanjanje prethodno odabranih dana
5. Pritisnite TIMER SET na daljinskom upravljaču ponovo (21)
6. Koristite „+“ ili „-“ simbol (14) za odabir uključenog vremena(sati) (26)
7. Pritisnite TIMER SET na daljinskom upravljaču ponovo (21)
8. Koristite „+“ ili „-“ simbol (14) za odabir uključenog vremena (minute) (26)
9. Pritisnite TIMER SET na daljinskom upravljaču ponovo (21). Na zaslonu će se prikazati „OFF“ (24)
10. Koristite „+“ ili „-“ simbol (14) za odabir isključivanja vremena(sati) (26)
11. Pritisnite TIMER SET na daljinskom upravljaču ponovo (21)
12. Koristite „+“ ili „-“ simbol (14) za odabir isključivanja vremena (minute) (26)
13. Pritisnite TIMER SET na daljinskom upravljaču ponovo (21)
14. Koristite „+“ ili „-“ simbol (14) za odabir željene temperature (23)
15. Pritisnite tipku selektora (14) za pohranu programa pritiskom na OK tipku.
16. Koristite TIMER ON/OFF tipku (19) na daljinskom upravljaču za aktiviranje funkcije timera. Kada je aktivirana, zaslon prikazuje indikaciju timera (32).

Pregled podešenih timer vremena

1. Pritisnite TIMER SET tipku (21) na daljinskom upravljaču
 2. Koristite „+“ ili „-“ simbole (14) kako biste vidjeli vremena uključivanja dodijeljena svakom programu
 3. Za pregled vremena isključivanja, pritisnite simbol „▲“ (14), a zatim upotrijebite tipke „+“ ili „-“ za prikaz vremena isključivanja dodijeljenog svakom programu
 4. Pritisnite C na daljinskom upravljaču (20) za otkazivanje svakog programa.
- Ugrađeni elektronički upravljani LED izvor svjetlosti koji štedi energiju ne zahtijeva održavanje i ne može se zamijeniti. U slučaju pregrijavanja, funkcija zaštite od pregrijavanja isključit će uređaj, na primjer, kad su otvori i odvodi za zrak prekriveni. Isključite uređaj isključivanjem iz utičnice. Ostavite da se uređaj ohladi (najmanje 30 minuta). Provjerite jesu li otvori i odvodi za zrak začepljeni ili ne i po potrebi ih očistite. Ponovno uključite uređaj. Ako se zaštita od pregrijavanja ponovo aktivira, isključite uređaj isključivanjem iz utičnice i obratite se servisu. Nakon upotrebe isključite uređaj glavnim prekidačem (5). After use, please turn off the appliance using the main switch (5).

ČIŠĆENJE, ODRŽAVANJE

Kako bi se osigurao optimalan rad, uređaj zahtijeva čišćenje bar jednom mjesečno, zavisno od stepena onečišćenja i korištenja.

1. Prije čišćenja uređaj isključite sa napajanja.
2. Ostavite uređaj da se ohladi (najmanje 30 minuta).
3. Koristite isosavač za čišćenja otvora za izlaz (1) i ulaz (2) zraka
4. Koristite blago navlaženu krpu za čišćenje vanjske površine. Ne koristite agresivna sredstva za čišćenje. Pazite da voda ne dospjeje unutar uređaja ili na njegove električne komponente.

RJEŠAVANJE PROBLEMA

Kvar	Moguće rješenje
Uređaj se ne uključuje na postavljenoj vrijednosti	Adaptivni prekidač za upravljanje je aktivan - nije greška
Uređaj ne zagrijava	Provjerite napajanje Provjerite podatke navedene u odjeljku zaštita od pregrijavanja
Efekat plamena ne radi	Provjerite napajanje
Zaštita od pregrijavanja se često aktivira	Očistite uređaj
Uređaj ne reagira na signal daljinskog upravljača	Provjerite baterije u daljinskom upravljaču



Uređaji koji se odlazu u otpad se trebaju izdvojeno prikupljati, odvojeno od otpada iz kućanstva, jer mogu u sebi sadržati komponente koje su opasne po okoliš i ljudsko zdravlje! Korišteni ili uređaji koji se odlazu u otpad se besplatno mogu odnijeti na mjesto njihove distribucije, odnosno kod takvog distributera koji vrši prodaju uređaja istih karakteristika i funkcije. Mogu se odoziti i na depozitnim mjestima koji su specijalizirani za odlaganje elektronskog otpada. Ovimе Vi štite Vaš okoliš, Vaše i zdravlje drugih ljudi. Ukoliko imate pitanja, obratite se lokalnoj organizaciji za odlaganje otpada. Prihvaćamo na sebe zakonom određene obveze koje su propisane za proizvođače i sve troškove koji su u vezi s tim.

SPECIFIKACIJA

napajanje:
snaga [W] :
LED svjetlo (nije zamjenjiv)
max. snaga:
IP standard:

230 V~ / 50 Hz
1000 W / 2000 W
10 W
2010 W
IP20: Nije zaštićeno od prodora vode.
88,5 x 48 x 13,5 cm
13,6 kg
1,7 m
50 dB(A)

dimenzije:
težina:
dužina napojnog kabela:
razina buke:

Gyártó: **SOMOGYI ELEKTRONIC®**

H – 9027 • Győr, Gesztenyefa út 3. • www.somogyi.hu

Származási hely: Kína

Distribútor: **SOMOGYI ELEKTRONIC SLOVENSKO s.r.o.**

Gútsky rad 3, 945 01 Komárno, SK • Tel.: +421/0/ 35 7902400 • www.somogyi.sk

Krajina pôvodu: Čína

Distributor: **S.C. SOMOGYI ELEKTRONIC S.R.L.**

J12/2014/13.06.2006 C.U.I.: RO 18761195

Cluj-Napoca, județul Cluj, România, Str. Prof. Dr. Gheorghe Marinescu, nr. 2, Cod poștal:
400337

Tel.: +40 264 406 488, Fax: +40 264 406 489 • www.somogyi.ro

Țara de origine: China

Uvoznik za SRB: **ELEMENTA d.o.o.**

Jovana Mikića 56, 24000 Subotica, Srbija • Tel:+381(0)24 686 270 • www.elementa.rs

Zemlja uvoza: Mađarska • Zemlja porekla: Kína • Proizvođač: Somogyi Elektronik Kft.

Uvoznik za HR: **ZED d.o.o.**

Industrijska c. 5, 10360 Sesvete, Hrvatska • Tel: +385 1 2006 148 • www.zed.hr

Zemlja porijekla: Kína • Proizvođač: Somogyi Elektronik Kft.

Uvoznik za BiH: **DIGITALIS d.o.o.**

M.Spaha 2A/30, 72290 Novi Travnik, BiH • Tel: +387 61 095 095

Zemlja porijekla: Kína • Proizvođač: Somogyi Elektronik Kft.