



MTM 2070 W

MICROWAVE OVEN INSTRUCTION MANUAL

MIKROWELLENHERD BEDIENUNGSANLEITUNG

MIKROVLNNÁ TROUBA NÁVOD K OBSLUZE

MIKROLAINEAHI KASUTUSJUHEHD

HORNO MICROONDAS MANUAL DE INSTRUCCIONES

FOUR A MICRO-ONDES MODE D'EMPLOI

MIKROVALNA PEČNICA UPUTE ZA UPORABU

FORNO A MICROONDE MANUALE DI ISTRUZIONI

MIKROVIĻŅU KRĀSNS ROKASGRĀMATA

MIKROBANGŪ KROSNEĻĒ INSTRUKCIJŪ VĀDOVAS

MIKROHULLĀMŪ SŪTŌ HASZNÁLATI ÚTMUTATÓ

KUCHENKA MIKROFALOWA INSTRUKCJA OBSŁUGI

MIKROVLNNĀ RŪRA NĀVOD NA OBSLUHU

MIKROVALOVNA PEČICA NAVODILA

MIKROTALASNA RERNA UPUTSTVO ZA UPOTREBU

ΦΟΥΡΝΟΣ ΜΙΚΡΟΚΥΜΑΤΩΝ ΕΓΧΕΙΡΙΔΙΟ ΟΔΗΓΙΩΝ

English

Deutsch

Čeština

Eesti keel

Español

Français

Hrvatski

Bosanski

Italiano

Latviešu valoda

Lietuvių kalba

Magyar

Polski

Slovenčina

Slovenščina

Srpski

Crnogorski

Ελληνικά

■ Always read the safety&use instructions carefully before using your appliance for the first time. The user's manual must be always included. ■ Bitte lesen Sie vor der Inbetriebnahme des Produktes diese Anleitung und die darin enthaltenen Sicherheitshinweise aufmerksam durch. Die Bedienungsanleitung muss dem Gerät immer beigelegt sein. ■ Pirms uvešanas ierīci uz darba vietas, uzmanīgi izlasiet drošības un lietošanas norādījumus. Rokasgrāmata vienmēr jāpievieno ierīcei. ■ Prije korištenja uređaja pažljivo pročitajte uputstva za sigurnost i upotrebu pre upotrebe uređaja po prvi put. Korisničko uputstvo mora uvijek biti priloženo. ■ Πριν χρησιμοποιήσετε τη συσκευή σας για πρώτη φορά, διαβάστε οπωσδήποτε τις οδηγίες ασφαλείας και χρήσης. Το χειρίδιο χρήστη πρέπει να περιλαμβάνεται πάντα στη συσκευασία.

■ Siempre lea cuidadosamente las instrucciones de seguridad y de uso antes de utilizar su artefacto por primera vez. Siempre debe estar incluido el manual del usuario. ■ Avant de mettre le produit en service, lisez attentivement le présent mode d'emploi et les consignes de sécurité contenues dans le présent mode d'emploi. Le mode d'emploi doit toujours être fourni avec le produit. ■ Uvijek pročítajte sigurnosne upute i upute za uporabu prije prvog korištenja vašeg uređaja. Upute moraju uvijek biti priložene. ■ Leggere sempre con attenzione le istruzioni di sicurezza ed uso prima di utilizzare l'apparecchio per la prima volta. Il manuale dell'utente deve essere sempre incluso. ■ Pirms ierīces pirmās lietošanas reizes vienmēr rūpīgi izlasiet drošības un lietošanas norādījumus. Rokasgrāmata vienmēr jāpievieno ierīcei. ■ Prije korištenja uređaja pažljivo pročitajte uputstva za sigurnost i upotrebu pre upotrebe uređaja po prvi put. Korisničko uputstvo mora uvijek biti priloženo. ■ Przed pierwszym użyciem urządzenia prosimy o uważne zapoznanie się z instrukcjami dotyczącymi bezpieczeństwa i użytkowania. Instrukcja obsługi musi być zawsze dołączona. ■ Pirms uvešanas ierīci uz darba vietas, uzmanīgi izlasiet drošības un lietošanas norādījumus. Rokasgrāmata vienmēr jāpievieno ierīcei. ■ Prije korištenja uređaja pažljivo pročitajte uputstva za sigurnost i upotrebu pre upotrebe uređaja po prvi put. Korisničko uputstvo mora uvijek biti priloženo. ■ Πριν χρησιμοποιήσετε τη συσκευή σας για πρώτη φορά, διαβάστε οπωσδήποτε τις οδηγίες ασφαλείας και χρήσης. Το χειρίδιο χρήστη πρέπει να περιλαμβάνεται πάντα στη συσκευασία.

SAFETY INSTRUCTIONS

Read carefully and save for future use!

Warning: The safety measures and instructions, contained in this manual, do not include all conditions and situations possible. The user must understand that common sense, caution and care are factors that cannot be integrated into any product. Therefore, these factors shall be ensured by the user/s using and operating this appliance. We are not liable for any damages caused during shipping, by incorrect use, voltage fluctuation or the modification or adjustment of any part of the appliance.

To protect against a risk of fire or electric shock, basic precautions shall be taken while using electrical appliances, including the following:

1. Ensure that the voltage in your outlet matches the voltage indicated on the device label and that the outlet is properly grounded. The outlet must be installed in accordance with applicable electrical codes according to EN.
2. Never use the oven if the door is damaged, the oven does not work properly, or the supply cord is damaged.

WARNING: It is dangerous for any person other than trained to perform any repairs or maintenance leading to removal any cover that provides protection from microwave radiation. All repairs or adjustments including cord replacements shall be performed by a professional service centre! The AV power supply must be unplugged prior to any repair. Removing the cover with the cord plugged in can result in the service technician being exposed to microwave energy or being shocked by electric current!

3. Protect the appliance against direct contact with water and other liquids, to prevent potential electric shock. Do not immerse cord or plug in water!
4. Do not operate the microwave oven outdoors or in a moist environment and do not touch the cord or appliance with wet hands. Risk of electric shock.
5. Close supervision is necessary for operating the oven near children!
6. Do not leave the microwave oven running unattended.
7. Leaving the oven cord connected to outlet unattended is not recommended. Disconnect the cord from the electrical outlet prior to any maintenance. Do not remove the power cord from the outlet by yanking the cord. Unplug the power cord from the outlet by grasping the plug.

8. Do not use the microwave oven near a source of heat, for example, stove hotplates. Protect the appliance against direct sunlight.
9. Do not allow the power cord to touch hot surfaces or run the cord over sharp edges.
10. Prevent fires inside the oven by observing the following:
 - a) Do not overheat the food.
 - b) Before placing paper or plastic bags in the oven remove paper clips from them.
 - c) Do not heat oil or frying fat in the oven because you cannot regulate the temperature of the oil. Do not fry food inside the oven. Hot oil can damage parts of the oven and kitchen dishes and also cause burns.
 - d) After use, wipe the door, the door seal and inside of the oven with a cloth soaked in a mild detergent solution and wipe dry. All stains, greases and food residue are removed this way.

WARNING: If the door or door seal is damaged, the oven should not be used until it has been repaired by a trained person. The oven should be properly cleaned and any food residue removed. Failure to keep the oven clean may result in damage to the surface, which could adversely affect the life of the appliance and result in a hazardous situation. The piled up grease may overheat and could start a fire. Do not use abrasive cleaning agents. The appliance must not be cleaned with a steam cleaner.

- e) If the cooked food inside the oven starts to smoke or ignites, leave the oven door closed, turn off the oven and pull out the plug of the power supply from the outlet to prevent the spread of fire.
 - f) When using disposable containers made of plastic, paper or other combustible materials, do not leave the oven unattended to prevent ignition.
11. Limit the risk of explosion or sudden boil by observing the following:

WARNING: Liquids and other dishes must not be heated in airtight containers because they are susceptible to explosion. Baby bottles with screw-on caps or pacifiers are also considered as sealed containers.

- a) When heating liquids, use wide-mouth container and after heating allow it to stand for 20 seconds, to prevent eruptive boiling over.
- b) Eggs in shell, whole hard-boiled egg, water containing grease or oil and sealed glass containers must not be heated in the microwave oven as they can explode even after the microwave heating has ended. Potatoes,

frankfurters or chestnuts shall be peeled or pricked before inserting them into the oven.

- c) Microwave heating of beverages can cause delayed boiling, which must be taken into account when holding the container.
 - d) The contents of infant bottles and baby food must be stirred or shaken prior to administration and their temperature before consumption should be checked to prevent burns.
12. Containers are very hot after being heated. Use oven mitts when removing containers from the oven. Be careful not to burn your face and hands by coming into contact with hot steam.
 13. Always lift the furthest edge of the lid or food wrap. Open popcorn bags and baking bags at a sufficient distance away from the face.
 14. Protecting the turntable against breaking:
 - a) Let the glass tray cool off before cleaning.
 - b) Do not place hot dishes or containers on a cold glass tray.
 - c) Do not place frozen foods or cold containers on a hot glass tray.
 15. Make sure the containers do not touch the inside walls of the oven during the heating process.
 16. Do not store food or other objects inside the oven. The oven can be switched on spontaneously if the network is struck by lightning.
 17. Do not use the oven if it does not contain any food or liquids. This may cause damage to the oven. Do not cover or block any openings on the microwave oven.
 18. Use accessories only advised by the manufacturer, otherwise you risk losing the warranty.
 19. Use the microwave oven only in accordance with the instructions given in this manual. This microwave oven is intended for domestic use only. The manufacturer is not liable for damages caused by the improper use of this appliance.
 20. The microwave oven is designed to heat food and beverages. Drying food or clothing and heating cushions, slippers, sponges, wet fabric and similar items may lead to injury, explosion or fire.
 21. This appliance is intended for household use and similar areas, such as:
 - kitchen corners in markets, offices and other work environments
 - appliances used in the agricultural industry

- appliances used by guests in hotels, motels and other residential environments
 - appliances used in bed and breakfast establishments.
22. This appliance can be used by children ages 8 and older and by the physically and mentally impaired or by individuals with insufficient experience and knowledge, if supervised or trained to use the appliance in a safe manner and understand the risks involved with the improper use of the appliance. Children must not play with the appliance. Cleaning and maintenance operations performed by the user shall not be carried out by children, if they are not older than 8 years and under supervision.

Do not expose yourself to excessive microwave energy

1. Do not attempt to operate the microwave oven if the door is open. By doing so, you can become exposed to harmful microwave energy. Do not attempt to break or hold safety locks on the oven door.
2. Do not insert foreign objects between the oven door. Make sure dirt or residue from cleaning agents are not left on the door seal or sealing elements of the oven.
3. Do not use the oven if damaged. The oven door should be perfectly tight upon closing and should not be damaged.

Examples of damage caused to the oven door:

- a) DENTING the oven door.
 - b) Loose or broken door HINGES or SAFEGUARDS.
 - c) OVEN DOOR SEAL OR SEALING AREAS ON THE FRAME HEAD.
- Adjustments or repairs to the microwave oven should only be performed by a qualified person.
4. As with the majority of appliances intended for baking, strict supervision is necessary to reduce the risk fire around the oven.

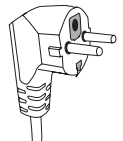
In case of fire:

1. Do not open oven door.
2. Turn off the oven and unplug cord from socket.
3. Turn off the master power switch.

CLEANING

Make sure you unplugged the oven from the outlet by disconnecting the plug from the outlet.

1. Use a damp cloth and clean the inside of the oven.



2. Clean accessories as usual in soap water.
3. Clean the door frame, seal and neighbouring parts carefully using a damp cloth dipped into dishwashing detergent and wipe dry.

The microwave oven must be grounded. The plug should be connected only to a properly grounded outlet. Refer to a qualified electrician or service technician if you have any doubts regarding proper wiring or experience malfunctioning.

1. The microwave oven is equipped with a short cord to reduce the risk of tripping or tangling.
2. Long extension cords must meet the following requirements:
 - a) With respect to electric load, the rated values of the extension cord and outlet should comply with the rated values of the microwave oven.
 - b) The extension cord must be three-wire and the plug must be equipped with a grounding pin.
 - c) The cable must be well hidden so that it does not hang over the worktop of the kitchen unit and to prevent the children from tripping over it or pulling it out.

UTENSILS AND DISHES

WARNING

Risk of injury

Only use containers that are suitable for use in microwave ovens. Tightly closed containers can explode when heated. Closed containers must be opened prior to cooking and plastic containers shall be pierced, see Materials to find out what material can and can not be used in the microwave oven. Some non-metal material may not be safely used for oven heating. If you are not sure whether or not the material is safe for oven heating, proceed as follows:



Hot surface!

Test the container:

1. Fill the container, to be heated in the microwave oven, with cold water (250 ml).
2. Heat for 1 minute at maximum cooking power.
3. Check the temperature of the tested container carefully. If the tested container is warm, do not use it for oven heating.
4. **Do not cook more than 1 minute.**

DANGER for children: Children may not play with the packaging material. Do not let children play with the plastic bags. Risk of suffocation.

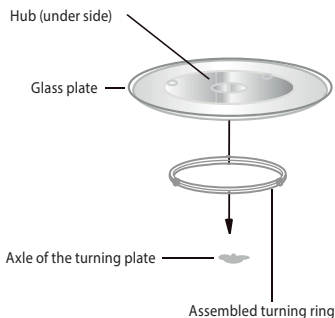
Materials which you may use in a microwave oven

Dishes	Notes
Baking trays	Follow the instructions of the manufacturer. The bottom of the baking container must be at least 5 mm above the turning plate. Incorrect handling may lead to the breakage of the turning plate.
Plates	Use only plates and dishes designed for use in microwave ovens. Follow the instructions of the manufacturer. Do not use cracked or otherwise damaged bowls.
Glasses and jugs	Always remove the cap. Only heat up the food. Do not cook it! The majority of glass jugs and glasses are not resistant to high temperatures and breakage may occur.
Glass baking trays	Use only glass baking trays resistant to high temperatures. Check that the bowl does not have a metal rim or another metal accessory. Do not use cracked or otherwise damaged bowls.
Baking bags	Follow the instructions of the manufacturer. Do not close with metal clips. Leave the sealing joint slightly opened so that hot steam can escape.
Paper trays.	Appropriate only for heating up or short cooking. Do not leave the oven unattended while cooking.
Paper towels	Use to cover food and to absorb melted fat. Use only for short cooking. Do not leave unattended while cooking.
Grease-proof baking paper	Use to cover foods, to cover food while stewing and to prevent the oven from being sprayed.
Plastic materials	Use only plates and dishes designed for use in microwave ovens. Follow the instructions of the manufacturer. A plastic material appropriate for use in a microwave oven must have a specific labelling: "Appropriate for microwave ovens". Some plastics soften as a result of long term effects of high temperatures. "Boiling bags" and baking satchels must be cut through, pierced or otherwise ventilated according to the food manufacturer's instructions.
Plastic wrapping foils	Use only plates and dishes designed for use in microwave ovens. Use them to cover foods and to maintain the moisture of the food during cooking. Make sure that the plastic foil is not touching the food being prepared.
Thermometers	Use only thermometers designed for use in microwave ovens. (Thermometers for meat, pastry and cakes.)
Wax paper	Use to cover foods to prevent the oven from being sprayed and to maintain the moisture of the food during cooking.

Materials which must not be used for cooking in a microwave oven

Equipment and dishes	Notes
Aluminium trays and plates	Danger or distortion. Move the food into a container appropriate for cooking in a microwave oven.
Paper and cardboard boxes with a metal handle	Danger or distortion. Move the food into a container appropriate for cooking in a microwave oven.
Metal dishes and dishes with metal accessories	Metal prevents the penetration of microwave energy. The metal rim may warp.
Wire locking rings	Danger of distortion and fire inside the oven.
Paper bags	They may catch on fire. Danger of fire inside the oven.
Foam materials	Through the effect of heat the plastic foam may melt and degrade the quality of the food.
Wood	Wood is dried out during cooking and may crack.

INSTALLATION OF THE TURNING PLATE



1. Never place the glass plate with the bottom in the upward direction. The glass plate must always turn freely.
2. Never use the oven without the driving collar and the glass plate.
3. All foods and containers with food must always be placed on the glass plate.
4. If the glass plate cracks or the driving collar is damaged, contact the nearest authorised service.

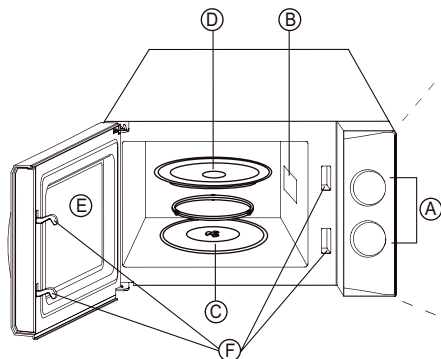
ASSEMBLY OF THE MICROWAVE OVEN

Names of oven parts and accessories

Unpack the oven and all the accessories.

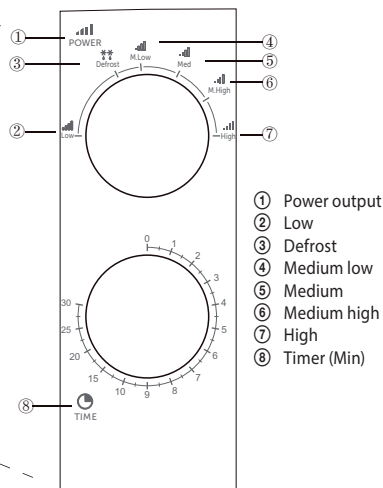
The oven is supplied with the following accessories:

Glass plate	1
Assembled driving collar	1
User's Manual	1



- (A) Control panel
- (B) Waveguide
- (C) Assembled driving collar
- (D) Glass plate

- (E) Viewing window
- (F) Safety locking system
(Will cut off electric energy, if the door is opened during cooking.)



- ① Power output
- ② Low
- ③ Defrost
- ④ Medium low
- ⑤ Medium
- ⑥ Medium high
- ⑦ High
- ⑧ Timer (Min)

INSTALLATION

Remove all packaging material and take out all the accessories.

Check that the oven is not in any way damaged (dented or damaged door, etc). Do not install the oven if it is in any way damaged.

Kitchen bench top

Body of the oven: Remove all protective foil from the surface of the oven.

Do not remove the light brown foil which is screwed into the inside of the oven. This foil protects the oven's magnetron.

INSTALLATION

- Place the oven on an even surface, which guarantees a sufficient amount of free space for the correct function of the ventilation openings.

The distance between the oven and the nearest wall must be at least 7.5 cm.

At least one side must be free.

- Leave at least 30 cm of free space behind the oven.
- Do not remove the legs of the oven.
- Do not block the ventilation openings. The oven could be damaged.
- Place the oven as far as possible from a radio or television.

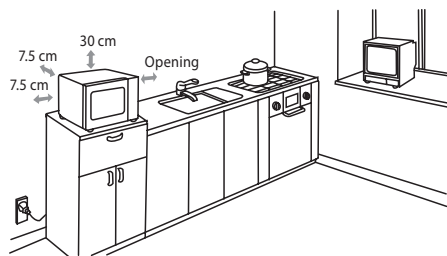
The microwave oven can interfere with the signal of the television or radio signal.

- Connect the oven into standard electrical mains. Make sure that the specified voltage and frequency value specified on the label of the oven conforms with the value of the voltage and frequency in the mains.

CAUTION: Do not install the oven above the kitchen cook top nor in its vicinity or in the vicinity of another source a heat radiation. Placing the oven near the source of heat radiation may damage the oven and invalidated the warranty.

The microwave oven is designed to be used in an open space and must not be placed inside a cabinet.

During operation the surface of the microwave oven may be hot.



Control panel and functions

1. Set the power output of the oven by turning the control (Power) to the required level.
2. Set the cooking time by turning the timer (Time) to the required interval depending on the food being prepared (max. 30 minutes).
3. After the power output and the time has been set the microwave will automatically commence to cook.
4. After the set cooking time has elapsed the oven will turn itself off.
5. If you are not using the oven, leave the timer set to "0".

Note: To select a cooking time less than two minutes, turn the control past the 2 minute mark and return to the desired value.

Functions	Power output	Application
Low	17 %	Softening of ice-cream
Defrost	40 %	Defrosting
M. Low	48 %	Preparation of soup, softening of butter
Med	66 %	Stewing of meat, fish
M. High	85 %	Rice, fish, chicken, minced meat
High	100 %	Heating, milk, boiling of water, vegetables, beverages

TROUBLESHOOTING

Common	
The microwave oven interferes with television reception.	While in operation the microwave oven may interfere with radio and television reception. It is a similar type of interference to that of small electric appliances such as mixers, vacuum cleaners and electric ventilators.
The light inside the oven dims.	When using a lower power output the light inside the oven may dim.
Steam is accumulating on the door, hot air is coming out of the openings.	While cooking steam may come out of the food. The majority of it will escape through the ventilation openings, but a part may accumulate in a colder area such as the door. This is a normal event.
The oven was accidentally turned on while empty.	You must not turn on the oven when empty. It is very dangerous.

Problem	Possible cause	Solution
Can not turn on the oven.	(1) The power cord is not firmly inserted into the power socket.	Pull the cord out of the socket. After approximately 10 seconds reinsert the power cord into the socket.
	(2) A fuse has burned out or the circuit breaker was triggered.	Change the fuse or switch on the circuit breaker (repaired by a service technician from our company).
	(3) Problem with the power socket.	Try to connect a different electrical appliance into the socket.
The oven does not heat.	(4) The door is not properly closed.	Close the door properly.
The glass plate is making sounds when the oven is in operation.	(5) The turning underlay or the bottom of the oven is dirty.	Clean the oven according to the instructions in chapter "Cleaning".

TECHNICAL INFORMATION

Capacity:	20 l	Nominal voltage:	230-240 V~ 50 Hz
Microwave power output:	700 W	Nominal input power:	1 200 W
Minute timer:	30 minutes	Operating frequency:	2 450 MHz
Power levels available:	6 levels	Noise level:	55 dB
Turning plate:	Ø 245 mm		
Weight:	10.5 kg		
Dimensions:	452 × 262 × 330 mm		
Inner dimensions:	315 × 198 × 297 mm		

USE AND DISPOSAL OF WASTE

Wrapping paper and corrugated paperboard – deliver to scrapyards. Packing foil, PE bags, plastic elements – throw into plastic recycling containers.

DISPOSAL OF PRODUCTS AT THE END OF LIFETIME

Disposal of electric and electronic equipment (valid in EU member countries and other European countries with an implemented recycling system)

The represented symbol on the product or package means the product shall not be treated as domestic waste. Hand over the product to the specified location for recycling electric and electronic equipment. Prevent negative impacts on human health and the environment by properly recycling your product.

Recycling contributes to preserving natural resources. For more information on the recycling of this product, refer to your local authority, domestic waste processing organization or store, where you purchased the product.

This product complies with EU directive requirements on electromagnetic compatibility and electrical safety.

The instruction manual is available at website www.ecg-electro.eu.
Changes in text and technical parameters reserved.



08/05



SICHERHEITSHINWEISE

Bitte aufmerksam lesen und gut aufbewahren!

Warnung: Die in dieser Anleitung aufgeführten Sicherheitsvorkehrungen und Hinweise umfassen nicht alle Umstände und Situationen, zu denen es kommen kann. Der Anwender muss begreifen, dass der gesunde Menschenverstand, Vorsicht und Sorgfalt zu Faktoren gehören, die sich in kein Produkt einbauen lassen. Diese Faktoren müssen durch den Anwender bzw. mehrere Anwender bei der Verwendung und Bedienung dieses Gerätes gewährleistet werden. Wir haften nicht für Schäden, die durch den Transport, eine unsachgemäße Verwendung, Spannungsschwankungen oder eine Modifikation des Gerätes entstehen.

Um Bränden oder Stromunfällen vorzubeugen, müssen bei der Verwendung von elektrischen Geräten u.a. folgende Vorsichtsmaßnahmen eingehalten werden:

1. Vergewissern Sie sich, dass die Spannung in Ihrer Steckdose mit der Spannung auf dem Etikett übereinstimmt und die Steckdose ordnungsgemäß geerdet wurde. Die Steckdose muss gemäß gültiger elektrotechnischer Norm (EN) installiert werden.
2. Verwenden Sie niemals den Mikrowellenherd, falls dieser nicht richtig funktioniert oder die Tür bzw. das Stromkabel beschädigt ist.

ACHTUNG: Personen, die nicht geschult wurden, sollten keine Reparatur- oder Wartungsarbeiten vornehmen, bei denen eine Abdeckung des Gerätes abgenommen wird, die den Anwender vor einer gefährlichen Mikrowellenstrahlung schützt. Lassen Sie sämtliche Reparaturen und Änderungen sowie das Auswechseln des Stromkabels durch einen autorisierten Kundendienst durchführen! Vor der Reparatur muss das Gerät vom Stromnetz getrennt werden. Entfernen Sie niemals eine Abdeckung, falls das Gerät an das Stromnetz angeschlossen ist. Sie könnten den Wartungstechniker einer Mikrowellenstrahlung oder einer Gefahr durch den elektrischen Strom aussetzen!

3. Schützen Sie das Gerät vor direktem Kontakt mit Wasser und sonstigen Flüssigkeiten, um Stromunfällen vorzubeugen. Stromkabel oder -stecker niemals ins Wasser tauchen!
4. Verwenden Sie den Mikrowellenherd nicht im Außenbereich oder in einer feuchten Umgebung. Stromkabel oder Gerät nicht mit nassen Händen berühren. Es besteht die Gefahr von Stromschlag.

5. Seien Sie besonders vorsichtig, falls Sie den Mikrowellenherd in der Nähe von Kindern verwenden.
6. Der Mikrowellenherd sollte während des Betriebs nicht unbeaufsichtigt gelassen werden.
7. Der Mikrowellenherd sollte nicht unbeaufsichtigt gelassen werden, falls dieser an das Stromnetz angeschlossen ist. Vor der Wartung Stromkabel aus der Steckdose ziehen. Ziehen Sie nicht am Kabel, um den Stecker aus der Steckdose zu ziehen. Ziehen Sie am Stecker, um das Kabel aus der Steckdose zu ziehen.
8. Mikrowellenherd nicht in der Nähe von Wärmequellen (z.B. Herdplatte) verwenden. Gerät vor direkter Sonnenstrahlung schützen.
9. Das Stromkabel darf nicht mit heißen Teilen in Berührung kommen oder über scharfe Kanten führen.
10. Beugen Sie möglichen Brandursachen vor, indem Sie folgendes beachten:
 - a) Speisen nicht überhitzen.
 - b) Entfernen Sie sämtliche Metallclips von Papier- und Plastikbeuteln, ehe Sie diese in den Mikrowellenherd legen.
 - c) Erwärmen Sie im Mikrowellenherd kein Bratöl oder -fett, da die Öltemperatur nicht reguliert werden kann. Der Mikrowellenherd dient nicht zum Braten von Lebensmitteln. Heißes Öl könnte den Mikrowellenherd oder das Küchengeschirr beschädigen sowie zu Verbrennungen führen.
 - d) Wischen Sie nach dem Gebrauch die Tür, die Türdichtung und den Innenraum der Mikrowelle mit einem Küchentuch ab, das in eine Reinigungslösung eingetaucht wurde. Anschließend trocken wischen. Auf diese Weise entfernen Sie Schmutz, Fett und eventuelle Speisereste.

WARNUNG: Wurde die Tür oder die Türdichtung beschädigt, muss der Schaden durch eine geschulte Person behoben werden. Während dieser Zeit darf der Mikrowellenherd nicht benutzt werden. Der Mikrowellenherd sollte richtig gereinigt werden. Eventuelle Speisereste sollten entfernt werden. Falls der Mikrowellenherd nicht sauber gehalten wird, könnte hierdurch die Oberfläche beschädigt werden. Das wiederum könnten die Lebensdauer des Gerätes beeinflussen und zu gefährlichen Situationen führen. Aufgeschichtetes Fett könnte sich überhitzen und einen Brand verursachen. Verwenden Sie bei der Reinigung keine Scheuermittel. Das Gerät darf nicht mit einem Dampfreiniger gereinigt werden.

- e) Sollte die zubereitete Speise im Mikrowellenherd qualmen oder sich entzünden, lassen Sie die Mikrowellentür geschlossen. Schalten Sie den Mikrowellenherd aus und trennen diesen vom Stromnetz, um eine Ausbreitung des Brandes zu vermeiden.
- f) Falls Sie Einweggeschirr aus Plastik, Papier oder anderen brennbaren Materialien verwenden, darf der Mikrowellenherd nicht unbeaufsichtigt gelassen werden.

11. Das Risiko einer Explosion oder einer plötzlichen Kochreaktion kann folgendermaßen reduziert werden:

ACHTUNG: Flüssigkeiten und Speisen dürfen nicht in luftdichten geschlossenen Gefäßen erwärmt werden, da Explosionsgefahr besteht. Als dicht verschlossene Gefäße werden sowohl Babyflaschen mit Schraubverschluss oder Schnuller betrachtet.

- a) Möchten Sie Flüssigkeiten erwärmen, verwenden Sie Geschirr mit einem breiten Hals, das Sie anschließend 20 Sekunden lang abstehen lassen, um eine eruptive Kochreaktion zu vermeiden.
 - b) Eier samt Schale, hart gekochte Eier, Wasser mit Fett oder Öl sowie dicht verschlossenes Glasgefäße dürfen nicht im Mikrowellenherd erwärmt werden, da diese explodieren könnten (sogar nach dem Erwärmen). Kartoffeln, Würstchen oder Kastanien müssen vor dem Einlegen in den Mikrowellenherd geschält oder durchstochen werden.
 - c) Getränke können etwas später zu Kochen anfangen, womit Sie rechnen sollten, ehe Sie das Geschirr in die Hand nehmen.
 - d) Der Inhalt von Babyflaschen und Babynahrung muss vor dem Servieren gerührt oder geschüttelt werden. Darüber hinaus sollten Sie vor dem Verzehr die Temperatur überprüfen, um eine Verbrennung zu vermeiden.
12. Nach dem Kochvorgang ist das Geschirr sehr heiß. Benutzen Sie Ofenhandschuhe. Achten Sie auf Gesichts- oder Handverbrennungen, die durch Kontakt mit heißem Dampf entstehen könnten.
13. Stets langsam den fernsten Rand des Deckels oder der Lebensmittelfolie anheben. Popcorn- und Backbeutel in ausreichender Entfernung von Gesicht öffnen.
14. Damit der Drehteller nicht zerbricht:
- a) Drehteller vor der Reinigung abkühlen lassen.
 - b) Heiße Gerichte oder Geschirr niemals auf den kalten Drehteller stellen.
 - c) Eingefrorene Lebensmittel oder kaltes Geschirr niemals auf den heißen Drehteller stellen.

15. Vergewissern Sie sich, dass das Geschirr beim Kochen nicht die Innenwände des Mikrowellenherds berührt.
16. Lagern Sie bitte weder Lebensmittel noch sonstige Gegenstände im Mikrowellenherd. Nach einem Blitzschlag könnte sich der Mikrowellenherd von alleine einschalten.
17. Schalten Sie den Mikrowellenherd nicht ein, falls sich im Inneren keine Flüssigkeiten oder Lebensmittel befinden. Sie könnten dadurch den Mikrowellenherd beschädigen. Blockieren oder verstopfen Sie nicht die Lüftungsöffnungen des Mikrowellenherdes.
18. Verwenden Sie kein Zubehör, das nicht vom Hersteller empfohlen wurde. Dies könnte zur Nichtanerkennung der Garantie führen.
19. Verwenden Sie den Mikrowellenherd nur gemäß den in dieser Anleitung aufgeführten Hinweisen. Dieser Mikrowellenherd ist ausschließlich für den Haushaltsgebrauch bestimmt. Der Hersteller haftet nicht für Schäden, die durch eine unsachgemäße Verwendung dieses Gerätes entstanden sind.
20. Der Mikrowellenherd dient zum Erwärmen von Lebensmitteln und Getränken. Das Trocknen von Lebensmitteln oder Kleidungsstücken sowie das Erwärmen von Heizdecken, Hausschuhen, Badeschwämmen, feuchten Textilien und sonstigen Gegenständen könnten zu einer Verletzung, einer Entzündung oder einem Brand führen.
21. Dieses Gerät ist ausschließlich für den Gebrauch in Haushalten und folgenden Räumen bestimmt:
 - Küchenzeilen in Geschäften, Büroräumen und anderen Arbeitsräumen
 - landwirtschaftliche Verbrauchsgeräte
 - Verbrauchsgeräte, die in Hotels, Motels und sonstigen Beherbergungseinrichtungen verwendet werden
 - Verbrauchsgeräte, die in Betrieben mit Übernachtung und Frühstück verwendet werden.
22. Kinder ab 8 Jahren und Personen mit verminderten physischen und mentalen Fähigkeiten sowie mangelnden Erfahrungen und Kenntnissen können dieses Gerät nur unter Aufsicht benutzen oder nachdem diese über einen gefahrlosen Gebrauch unterwiesen wurden und möglichen Gefahren verstehen, die durch eine unsachgemäße Verwendung entstehen. Kinder dürfen mit dem Gerät nicht spielen. Die seitens des Anwenders vorgenommenen Reinigungs- und Wartungsarbeiten dürfen nur Kinder ab 8 Jahren durchführen, die überdies beaufsichtigt werden.

Setzen Sie sich nicht unnötig einer übermäßigen Mikrowellenstrahlung aus

1. Schalten Sie den Mikrowellenherd nicht ein, falls die Tür geöffnet ist. Sie könnten sich einer schädlichen Mikrowellenstrahlung aussetzen. Die Sicherheitsschlösser der Mikrowellentür dürfen nicht beschädigt oder zugehalten werden.
2. Legen Sie keine Gegenstände zwischen die Mikrowellentür. Geben Sie Acht, damit sich an der Türdichtung und den Dichtungsflächen kein Schmutz oder Überreste von Reinigungsmitteln abgelagern.
3. Betreiben Sie den Mikrowellenherd nicht, falls dieser beschädigt ist. Es ist notwendig, damit die Mikrowellentür nach dem Schließen gut anliegt, damit sie nicht beschädigt wird.

Beispiele einer gefährlichen Türbeschädigung:

- a) EINGEDRÜCKTE Mikrowellentür.
- b) Lockere oder abgebrochene TÜRBÄNDER oder TÜRSICHERUNGEN.
- c) TÜRDICHTUNG ODER DICHTUNGSFLÄCHEN AN DER FRONTSEITE DES MIKROWELLENRAHMENS.

Änderungen und Reparaturen dürfen ausschließlich qualifizierte Personen durchführen.

4. Ähnlich wie bei den meisten Vorrichtungen, die zum Braten dienen, ist auch hier größere Aufsicht gefragt, um das Risiko einer Brandentstehung im Mikrowellenbereich zu reduzieren.

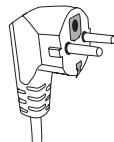
Falls es zu einem Brand kommt:

1. Öffnen Sie nicht die Mikrowellentür.
2. Schalten Sie den Mikrowellenherd aus und ziehen den Stecker aus der Steckdose.
3. Schalten Sie den Hauptverteilungsschalter aus.

REINIGUNG

Vergewissern Sie sich, dass der Mikrowellenherd vom Stromnetz getrennt wurde, indem Sie den Stecker aus der Steckdose ziehen.

1. Benutzen Sie ein feuchtes Tuch, um das Innengehäuse des Mikrowellenherds zu reinigen.
2. Reinigen Sie das Zubehör in gewohnter Weise mit Seifenwasser.
3. Falls der Türrahmen, die Dichtung oder anliegende Teile verschmutzt sind, reinigen Sie diese vorsichtig mit einem feuchten Tuch, der in eine Reinigungslösung eingetaucht wurde. Anschließend trocken wischen.



Der Mikrowellenherd muss geerdet sein. Der Netzstecker darf ausschließlich in eine geerdete Steckdose gesteckt werden. Sollten Sie Zweifel bzgl. der Elektroinstallation haben oder sollten irgendwelche Störungen am Mikrowellenherd auftauchen, wenden Sie sich bitte an einen qualifizierten Elektroinstallateur oder einen Wartungstechniker.

1. Der Mikrowellenherd wurde mit einem kurzen Stromkabel ausgestattet, damit Unfälle durch Stolpern oder Einfangen reduziert werden.
2. Ein langes Verlängerungskabel muss folgende Anforderungen erfüllen:
 - a) Aufgrund der limitierten elektrischen Belastung, müssen die Nennwerte des Verlängerungskabels und der Steckdose mit den Nennwerten des Mikrowellenherds übereinstimmen.
 - b) Das Verlängerungskabel muss dreiadrig sein. Der Stecker und die Steckdose müssen einen Erdungstift haben.
 - c) Das Kabel muss gut aufbewahrt werden, damit es nicht über die Küchenplatte hängt, Unfälle durch Stolpern verursacht oder von Kindern herausgezogen werden kann.

UTENSILIEN UND GESCHIRR

HINWEIS

Unfallgefahr

Verwenden Sie ausschließlich Geschirr, das für den Mikrowellengebrauch geeignet ist. Dicht verschlossenes Geschirr kann während des Kochvorganges explodieren. Verschlossenes Geschirr vor dem Kochen öffnen und Plastikverpackungen durchstechen – s. geeignete/nicht geeignete Materialien für den Mikrowellengebrauch. Sowohl einige Nichtmetallmaterialien sind für den Mikrowellengebrauch nicht geeignet. Sollten Sie sich nicht sicher sein, welche Materialien für den Mikrowellengebrauch geeignet sind, gehen Sie wie folgt vor:

Küchengeschirr-Test:

1. Kaltes Wasser (250ml) in den Behälter geben, der für den Mikrowellengebrauch bestimmt ist.
2. 1 Minute lang bei Höchstleistung kochen lassen.
3. Vorsichtig die Geschirrtemperatur überprüfen. Falls das Testgeschirr warm ist, sollten Sie es nicht zum Kochen im Mikrowellenherd benutzen.
4. **Nicht länger als 1 Minute kochen lassen.**



Heiße Oberfläche!

GEFAHR für Kinder: Kinder dürfen nicht mit dem Verpackungsmaterial spielen. Kinder dürfen nicht mit den Kunststoffbeuteln spielen. Erstickungsgefahr.

Materialien, die im Mikrowellenherd verwendet werden können

Geschirr	Anmerkungen
Backbleche	Beachten Sie die Anweisungen des Herstellers. Der Boden des Backgeschirrs muss sich mindestens 5 mm über dem Drehteller befinden. Falsches Vorgehen kann zum Zerspringen des Drehtellers führen.
Teller	Verwenden Sie nur Teller und Gefäße, die zur Verwendung in Mikrowellengeräten vorgesehen sind. Beachten Sie die Anweisungen des Herstellers. Verwenden Sie kein gesprungenes oder anderweitig beschädigtes Geschirr.
Gläser und Glaskrüge	Dichtende Deckel immer abnehmen. Die Speise nur erwärmen, nicht kochen! Die meisten Glaskrüge und Gläser widerstehen den hohen Temperaturen nicht und können zerspringen.
Glas-Bratgeschirr	Verwenden Sie nur Glas-Bratgeschirr aus hitzebeständigem Glas. Vergewissern Sie sich, dass das Geschirr keine Metalleinfassung oder andere Metallteile aufweist. Verwenden Sie kein gesprungenes oder anderweitig beschädigtes Geschirr.
Bratbeutel	Beachten Sie die Anweisungen des Herstellers. Den Beutel nicht mit Metallklammern verschließen. Lassen Sie den Verschluss des Beutels geöffnet, damit heißer Dampf problemlos entweichen kann.
Pappteller	Nur zum Erwärmen oder kurzen Garen geeignet. Das Gerät während des Vorgangs nicht unbeaufsichtigt lassen.
Papiertücher	Verwendbar zum Abdecken von Speisen und zum Aufsaugen von zerlassenen Fett. Nur für kurzzeitiges Garen verwenden. Während des Vorgangs nicht unbeaufsichtigt lassen.
Pergament-Backpapier	Verwendbar zum Abdecken von Speisen, zum Einwickeln von Speisen zum Dünsten oder als Spritzschutz für den Innenraum.
Kunststoffmaterialien	Verwenden Sie nur Teller und Gefäße, die zur Verwendung in Mikrowellengeräten vorgesehen sind. Beachten Sie die Anweisungen des Herstellers. Kunststoffmaterialien müssen mit der spezifischen Kennzeichnung „Mikrowellengeeignet“ versehen sein. Einige Kunststoffe werden bei längerer Einwirkung von hohen Temperaturen weich. Koch- und Bratbeutel müssen aufgeschnitten, durchstochen oder auf andere Weise gemäß den Anweisungen des Lebensmittelherstellers geöffnet werden.
Verpackungsfolie aus Kunststoff	Verwenden Sie nur Teller und Gefäße, die zur Verwendung in Mikrowellengeräten vorgesehen sind. Verwenden Sie sie nur, um die Speise abzudecken und sie während des Garens vor Austrocknung zu schützen. Achten Sie darauf, dass die Kunststoffolie nicht mit der Speise in Berührung kommt.
Thermometer	Verwenden Sie nur mikrowellengeeignete Thermometer (Thermometer für Fleisch und Gebäck).
Wachspapier	Verwendbar zum Abdecken von Speisen, als Spritzschutz für den Geräteinnenraum und als Schutz vor Austrocknung während des Garens.

Materialien, die nicht zum Garen im Mikrowellenherd verwendet werden können

Geräte und Gefäße	Anmerkungen
Aluminiumschalen und -bleche	Können sich verbiegen. Geben Sie das Gargut stattdessen in ein mikrowellengeeignetes Gefäß.
Lebensmittelkartons mit Haltegriff aus Metall	Können sich verbiegen. Geben Sie das Gargut stattdessen in ein mikrowellengeeignetes Gefäß.
Metallgefäße und Gefäße mit Metallkomponenten	Das Metall verhindert das Eindringen der Mikrowellenenergie. Metalleinfassungen können sich verbiegen.
Verschlüsse aus Draht	Können sich verbiegen, und im Gerät kann ein Brand entstehen.
Papiertüten	Können sich entzünden. Es besteht die Gefahr eines Brandes im Gerät.
Schaumstoffmaterialien	Bei hohen Temperaturen können Schaumstoffe schmelzen und das Gargut kontaminieren.
Holz	Holz trocknet aus und kann während des Garens zerspringen.

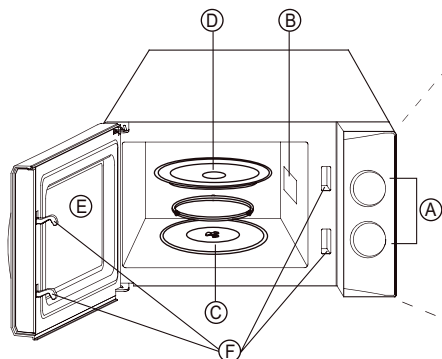
EINSTELLUNG DES MIKROWELLENHERDES

Bezeichnungen der Gerätekomponenten und Zubehörteile

Packen Sie das Gerät und sämtliche Zubehörteile aus.

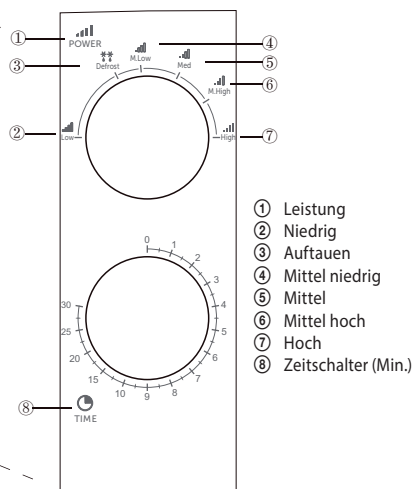
Das Gerät wird mit folgendem Zubehör geliefert:

Drehteller aus Glas	1
Drehtellerträger (komplett)	1
Bedienungsanleitung	1



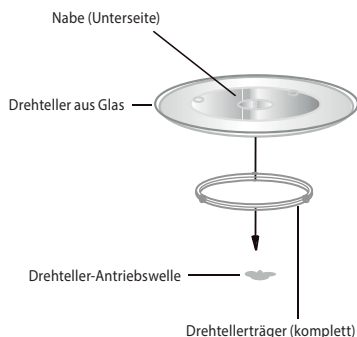
- A Bedienfeld
- B Hohlwellenleiter
- C Drehtellerträger (komplett)
- D Drehteller aus Glas

- E Sichtfenster
- F Sicherheitsschließsystem
(schaltet die Stromversorgung ab, wenn während des Garens die Tür geöffnet wird)



- ① Leistung
- ② Niedrig
- ③ Auftauen
- ④ Mittel niedrig
- ⑤ Mittel
- ⑥ Mittel hoch
- ⑦ Hoch
- ⑧ Zeitschalter (Min.)

INSTALLIEREN DES DREHTELLERS



1. Niemals den Drehteller mit dem Boden nach oben einsetzen. Der Drehteller muss sich immer ungehindert drehen können.
2. Den Mikrowellenherd nicht ohne Drehtellerträger und ohne Drehteller verwenden.
3. Jede Art von Gargut und Geschirr mit Gargut muss immer auf dem Drehteller platziert werden.
4. Sollte der Drehteller zerspringen oder der Drehtellerträger beschädigt werden, wenden Sie sich an die nächstgelegene autorisierte Kundendienstfirma.

INSTALLATION

Entfernen Sie sämtliches Verpackungsmaterial und nehmen Sie alle Zubehörteile heraus.

Prüfen Sie das Gerät auf etwaige Beschädigungen (eingedrückte oder beschädigte Tür u. Ä.). Installieren Sie das Gerät nicht, wenn es in irgendeiner Art beschädigt ist.

Küchenarbeitsplatte

Gerätegehäuse: Entfernen Sie die gesamte Schutzfolie von der Oberfläche des Geräts.

Entfernen Sie nicht die hellbraune Folie, die im Geräteinnenraum angeschraubt ist. Diese Folie schützt das Magnetron des Geräts.

INSTALLATION

1. Stellen Sie das Gerät auf eine ebene Fläche, die genügend Freiraum für die ungehinderte Funktion der Entlüftungsöffnungen bietet.

Zwischen dem Gerät und der nächstgelegenen Wand müssen mindestens 7,5 cm frei bleiben.

Mindestens eine Seite muss frei sein.

- Über dem Gerät müssen mindestens 30 cm frei sein.
 - Entfernen Sie nicht die Füße des Geräts.
 - Versperren Sie nicht die Belüftungsöffnungen. Dies könnte zu einer Beschädigung des Geräts führen.
 - Stellen Sie das Gerät in größtmöglicher Entfernung von Rundfunk- und Fernsehgeräten auf. Der Mikrowellenherd kann Störungen des Rundfunk- und Fernsehsignals verursachen.
2. Schließen Sie das Gerät an ein standardmäßiges Stromnetz an. Vergewissern Sie sich, dass die auf dem Typenschild des Geräts angegebene Spannung und Frequenz mit der des Stromnetzes übereinstimmt.

HINWEIS: Installieren Sie das Gerät nicht über oder neben einem Küchenherd oder in der Nähe eines anderen Heizgeräts. Das Aufstellen des Mikrowellenherdes in der Nähe eines Heizgeräts kann zu einer Beschädigung des Mikrowellenherdes und zum Erlöschen der Garantie führen.

Der Mikrowellenherd ist zur Verwendung im freien Raum vorgesehen und darf nicht in einen Schrank eingebaut werden.

Während des Betriebs kann die Oberfläche des Geräts heiß werden.

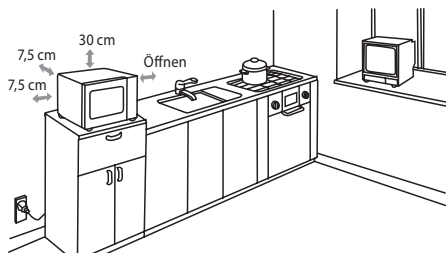


Bedienungsfeld und Funktion

- Stellen Sie die Leistung des Geräts durch Drehen des Leistungswahlschalters (Power) auf die gewünschte Stufe ein.
- Stellen Sie die Dauer des Garvorgangs durch Drehen des Zeitschalters (Time) auf einen geeigneten Zeitraum für das jeweilige Gargut ein (max. 30 Minuten).
- Nach dem Einstellen der Leistung und der Zeit wird der Garvorgang automatisch gestartet.
- Nach Ablauf der eingestellten Gardauer schaltet sich das Gerät aus.
- Wenn Sie das Gerät nicht benutzen, lassen Sie den Zeitschalter auf „0“ eingestellt.

Bemerkung: Während einer Kochdauer von weniger als zwei Minuten, drehen Sie den Regler auf mehr als über 2 min und danach stellen Sie auf den gewünschten Wert ein.

Funktion	Leistung	Verwendung
Low (Niedrig)	17 %	Speiseeis erweichen
Defrost (Auftauen)	40 %	Auftauen
M. Low (Mittel niedrig)	48 %	Suppe zubereiten, Butter erweichen
Med (Mittel)	66 %	Fleisch, Fisch dünsten
M. High (Mittel hoch)	85 %	Reis, Fleisch, Huhn, Hackfleisch
High (Hoch)	100 %	Erhitzen, Milch, Wasser kochen, Gemüse, Getränke



BEHEBUNG VON PROBLEMEN

Häufig festzustellende Probleme	
Der Mikrowellenherd stört den Fernsehempfang.	Der Mikrowellenherd kann im Betriebszustand den Rundfunk- und Fernsehempfang stören. Dies ist vergleichbar mit der Störung durch Elektrokleingeräte wie Mixer, Staubsauger und Ventilatoren.
Das Licht im Gerät wird schwächer.	Bei Verwendung einer niedrigeren Mikrowellenleistung kann es vorkommen, dass das Licht im Gerät schwächer wird.
An der Tür schlägt sich Dampf nieder, aus den Lüftungsöffnungen kommt heiße Luft.	Beim Garen kann aus dem Gargut Dampf austreten. Der größte Teil davon entweicht durch die Lüftungsöffnungen, doch ein Teil kann sich an einer kühleren Stelle wie etwa der Tür niederschlagen. Dies ist normal.
Das Gerät wurde versehentlich leer betrieben.	Das Gerät darf nicht eingeschaltet werden, wenn es leer ist. Dies ist sehr gefährlich.

Problem	Mögliche Ursache	Lösung
Das Gerät lässt sich nicht einschalten.	(1) Der Netzstecker steckt nicht fest genug in der Steckdose.	Ziehen Sie den Netzstecker aus der Steckdose. Stecken Sie ihn nach 10 Sekunden wieder ein.
	(2) Die Sicherung ist durchgebrannt oder ein Leistungsschutzschalter wurde ausgelöst.	Sicherung austauschen bzw. Leistungsschutzschalter wieder einschalten (wird von einem Servicetechniker unserer Firma durchgeführt).
	(3) Problem mit der Steckdose.	Schließen Sie versuchsweise ein anderes Elektrogerät an die Steckdose an.
Das Gargut wird nicht warm.	(4) Die Tür ist nicht richtig geschlossen.	Schließen Sie die Tür ordnungsgemäß.
Der Drehteller macht Geräusche, wenn die Mikrowelle läuft.	(5) Die Drehvorrichtung oder der Boden des Geräteinnenraums ist verschmutzt.	Reinigen Sie das Gerät gemäß den Anweisungen im Kapitel „Reinigung“.

TECHNISCHE DATEN

Fassungsvermögen	20 l	Nennspannung:	230–240 V~ 50 Hz
Mikrowellenleistung	700 W	Anschlusswert:	1 200 W
Zeitgeber	30-Minuten	Betriebsfrequenz:	2 450 MHz
Leistungseinstellung	6-stufige	Geräuschpegel:	55 dB
Drehteller	Ø 245 mm		
Gewicht	10,5 kg		
Umfang	452 × 262 × 330 mm		
Ausmaße des Innenraumes:	315 × 198 × 297 mm		

VERWENDUNG UND ENTSORGUNG DER VERPACKUNG

Verpackungspapier und Wellpappe – zum Altpapier geben. Verpackungsfolie, PET-Beutel, Plastikteile – in den Sammelcontainer für Plastik.

ENTSORGUNG DES PRODUKTES NACH ABLAUF DER LEBENSDAUER

Die Entsorgung der verwendeten elektrischen und elektronischen Geräte (gültig in den Mitgliedsländern der EU und weiteren europäischen Ländern mit dem eingeführten System der Abfalltrennung)

Das abgebildete Symbol auf dem Produkt oder auf der Verpackung bedeutet, dass das Produkt nicht als Hausmüll abgegeben werden soll. Das Produkt geben Sie an einem Ort ab, der für das Recycling von elektrischen und elektronischen Geräten bestimmt ist. Die richtige Entsorgung des Produktes schützt Sie vor negativen Einflüssen auf die menschliche Gesundheit und des Lebensraumes.

Das Recycling des Materials trägt zum Schutz der Naturressourcen bei. Mehr Informationen über das Recycling dieses Produktes gibt Ihnen die Kommunalbehörde, Organisationen für die Bearbeitung von Hausabfall oder die Verkaufsstelle, in der Sie das Produkt erworben haben.



08/05

Dieses Produkt erfüllt die Anforderung der EU-Richtlinien über elektromagnetische Kompatibilität und elektrische Sicherheit.



Bedienungsanleitung s. www.ecg-electro.eu.

Eine Änderung des Textes und der technischen Parameter vorbehalten.

BEZPEČNOSTNÍ POKYNY

Čtěte pozorně a uschovejte pro budoucí potřebu!

Varování: Bezpečnostní opatření a pokyny uvedené v tomto návodu nezahrnují všechny možné podmínky a situace, ke kterým může dojít. Uživatel musí pochopit, že faktorem, který nelze zabudovat do žádného z výrobků, je zdravý rozum, opatrnost a péče. Tyto faktory tedy musí být zajištěny uživatelem/ uživateli používajícími a obsluhujícími toto zařízení. Neodpovídáme za škody způsobené během přepravy, nesprávným používáním, kolísáním napětí nebo změnou či úpravou jakékoliv části zařízení.

Aby nedošlo ke vzniku požáru nebo k úrazu elektrickým proudem, měla by být při používání elektrických zařízení vždy dodržována základní opatření, včetně těch následujících:

1. Ujistěte se, že napětí ve vaší zásuvce odpovídá napětí uvedenému na štítku zařízení, a že je zásuvka řádně uzemněná. Zásuvka musí být instalována podle platné elektrotechnické normy ČSN.
2. Nikdy troubu nepoužívejte, pokud jsou poškozená dvířka, trouba nefunguje správně, nebo pokud je přívodní kabel poškozen.

VÝSTRAHA: Je nebezpečné pro jakoukoliv osobu jinou než proškolenou, aby prováděla jakékoliv opravy nebo údržbu vedoucí k odstranění libovolného krytu, který zajišťuje ochranu před zářením mikrovlnné energie.

Veškeré opravy nebo seřízení včetně výměny napájecího přívodu svěřte odbornému servisu! Před opravou musí být odpojen síťový přívod ze zásuvky. Odstraněním krytů se zapojeným síťovým přívodem můžete vystavit nebezpečí zasažení mikrovlnnou energií a elektrickým proudem servisního technika!

3. Chraňte spotřebič před přímým kontaktem s vodou a jinými tekutinami, aby nedošlo k případnému úrazu elektrickým proudem. Neponořujte přívodní kabel nebo vidlici do vody!
4. Nepoužívejte mikrovlnnou troubu venku nebo ve vlhkém prostředí ani se nedotýkejte přívodního kabelu nebo spotřebiče mokřýma rukama. Hrozí nebezpečí úrazu elektrickým proudem.
5. Dbejte zvýšené pozornosti, pokud používáte troubu v blízkosti dětí.

6. Mikrovlnná trouba by neměla být ponechána během chodu bez dozoru.
7. Doporučujeme nenechávat troubu se zasunutým přívodním kabelem v zásuvce bez dozoru. Před údržbou vytáhněte přívodní kabel ze síťové zásuvky. Vidlici nevytahujte ze zásuvky taháním za kabel. Kabel odpojte ze zásuvky uchopením za vidlici.
8. Nepoužívejte mikrovlnnou troubu v blízkosti zdroje tepla, např. plotýnky sporáku. Chraňte ji před přímým slunečním zářením.
9. Přívodní kabel se nesmí dotýkat horkých částí ani vést přes ostré hrany.
10. Riziko vzniku požáru uvnitř trouby omezíte následovně:
 - a) Jídlo nepřehřívejte.
 - b) Před umístěním papírových nebo plastových sáčků do trouby z nich odstraňte sponky.
 - c) Nerozehřívejte olej nebo tuk na smažení v troubě, protože teplotu oleje nelze regulovat. V troubě nesmažte potraviny. Horký olej může poškodit části trouby a kuchyňské nádoby a také způsobit popáleniny.
 - d) Po použití otřete dvířka, těsnění dvířek a vnitřní prostor trouby utěrkou navlhčenou v roztoku saponátu a vyčistěte do sucha. Tím odstraníte veškeré nečistoty, mastnotu a případné zbytky pokrmu.

VÝSTRAHA: Jsou-li dvířka nebo těsnění dvířek poškozena, nesmí být trouba používána, dokud nebude opravena proškolenou osobou. Trouba by měla být správně čistěna a případné zbytky pokrmu odstraněny. Neudržování trouby v čistotě by mohlo vést k poškození povrchu, které by mohlo nepříznivě ovlivnit životnost spotřebiče a mít za následek vznik nebezpečné situace. Navršená mastnota by se mohla přehřát a mohl by tak vzniknout následně požár.

Pro čištění nepoužívejte abrazivní prostředky.

Spotřebič se nesmí čistit parním čističem.

- e) Pokud by se z upravovaného pokrmu uvnitř trouby začalo kouřit nebo by se vznítily, nechte dvířka trouby zavřená, troubu vypněte a vytáhněte vidlici napájecího přívodu ze zásuvky, aby se zabránilo rozšíření případného ohně.
- f) V případě použití jednorázových nádob z plastu, papíru nebo jiných hořlavých materiálů nesmíte troubu nechat bez dozoru, aby nedošlo ke vznícení.

11. Riziko výbuchu nebo náhlého varu omezíte takto:
VÝSTRAHA: Kapaliny a jiné pokrmy se nesmějí ohřívat ve vzduchotěsně uzavřených nádobách, protože jsou náchylné k explozi. Za uzavřené nádoby se považují i dětské láhve se šroubovacím uzávěrem nebo s dudlíkem.
- a) Na ohřev tekutin použijte nádobu se širokým hrdlem a po ohřevu ji nechejte 20 sekund odstát, aby nedošlo k jejímu eruptivnímu varu.
 - b) Vejce ve skořápce, celá natvrdo uvařená vejce, voda obsahující tuk nebo olej a uzavřené skleněné nádoby se nesmějí v mikrovlnné troubě ohřívat, protože mohou explodovat a to i po ukončení mikrovlnného ohřevu. Brambory, párky nebo kaštiny musíte před vložením do trouby oloupat nebo propíchnout.
 - c) Mikrovlnný ohřev nápojů může způsobit opožděný var, s čímž se musí počítat při držení nádoby.
 - d) Obsah kojeneckých lahví a dětské stravy musí být před podáváním promíchán nebo protřepán a musí se zkontrolovat jeho teplota před konzumací, aby se zabránilo popálení.
12. Po dokončení vaření jsou nádoby velmi horké. K jejich vyjímání používejte chňapky. Pozor na popáleniny obličeje a rukou způsobené kontaktem s horkou párou.
13. Vždy pomalu nadzvedávejte nejvzdálenější okraj víka nebo potravinové fólie. Sáčky s popcornem a pečicí sáčky otevírejte v dostatečné vzdálenosti od obličeje.
14. Aby se nerozbil otočný talíř:
- a) Před čištěním nechte otočný talíř vychladnout.
 - b) Na studený otočný talíř nepokládejte žádné horké pokrmy ani nádoby.
 - c) Na horký otočný talíř nepokládejte zmražené potraviny nebo studené nádoby.
15. Ujistěte se, že se nádoby během vaření nedotýkají vnitřních stěn trouby.
16. Uvnitř trouby neskladujte potraviny ani jiné předměty. Pokud dojde k zasažení elektrické sítě bleskem, může dojít k samovolnému zapnutí trouby.

17. Troubu nepoužívejte, pokud uvnitř nejsou žádné tekutiny ani potraviny. Takto byste mohli troubu poškodit. Neblokujte a neucpávejte ventilační otvory trouby.
18. Nepoužívejte příslušenství, které není doporučeno výrobcem, jinak se vystavujete riziku ztráty záruky.
19. Používejte mikrovlnnou troubu pouze v souladu s pokyny uvedenými v tomto návodu. Tato mikrovlnná trouba je určena pouze pro domácí použití. Výrobce neodpovídá za škody způsobené nesprávným použitím tohoto spotřebiče.
20. Mikrovlnná trouba je určena pro ohřev potravin a nápojů. Sušení potravin nebo oděvů a ohřev ohřívacích podušek, domácí obuvi, mycích hub, vlhkého textilu a podobných věcí může vést k nebezpečí poranění, vznícení nebo požáru.
21. Tento spotřebič je určen pro použití v domácnosti a podobných prostorech jako jsou:
 - kuchyňské kouty v obchodech, kancelářích a ostatních pracovních prostředích
 - spotřebiče používané v zemědělství
 - spotřebiče používané hosty v hotelích, motelech a jiných obytných prostředích
 - spotřebiče používané v podnicích zajišťujících nocleh se snídaní.
22. Tento spotřebič mohou používat děti starší 8 let a starší a osoby se sníženými fyzickými či mentálními schopnostmi nebo nedostatkem zkušeností a znalostí, pokud jsou pod dozorem nebo byly poučeny o používání spotřebiče bezpečným způsobem a rozumějí nebezpečím při nesprávném používání. Děti si se spotřebičem nesmějí hrát. Čištění a údržbu prováděnou uživatelem nesmějí provádět děti, pokud nejsou starší 8 let a pod dozorem.

Nevystavujte se zbytečně přílišnému mikrovlnnému záření

1. Nesnažte se uvést mikrovlnnou troubu do provozu, jsou-li dvířka trouby otevřena. Můžete se tak vystavit škodlivému mikrovlnnému záření. Nesnažte se porušit nebo přidržovat bezpečnostní zámky dvířek trouby.
2. Nevkládejte žádné cizí předměty mezi dvířka trouby. Dbejte na to, aby se na těsnění dvířek trouby a na těsnicích plochách neusazovala špína nebo zbytky čisticích prostředků.

3. Nesnažte se uvést troubu do provozu, je-li poškozena. Je nutné, aby dvířka trouby po uzavření dokonale dolehla a nebyla nijak poškozena.
Příklady nebezpečného poškození dvířek:
 - a) PROMÁČKNUTÍ dvířek trouby.
 - b) Uvolněné nebo zlomené upevňovací PANTY či POJISTKY dvířek.
 - c) TĚSNĚNÍ DVÍŘEK NEBO TĚSNICÍ PLOCHY ČELA RÁMU TROUBY.
Pouze kvalifikovaná osoba smí mikrovlnnou troubu seřizovat nebo opravovat.
4. Jako u většiny přístrojů určených na pečení je pro snížení rizika vzniku ohně v prostoru trouby nutný přísný dozor.

Pokud dojde k požáru:

1. Neotevírejte dveře trouby.
2. Vypněte troubu a vytáhněte vidlici ze zásuvky.
3. Vypněte hlavní vypínač rozvodu elektrického proudu.

ČIŠTĚNÍ

Ujistěte se, že jste odpojili troubu od přívodu elektrické energie vytažením vidlice napájecího přívodu ze zásuvky.

1. Použijte vlhký hadřík a očistěte vnitřek trouby.
2. Očistěte příslušenství obvyklým způsobem v mýdlové vodě.
3. Znečištěný rám dvířek, těsnění a sousední části se musí opatrně čistit vlhkým hadříkem namočeným v roztoku saponátu a poté vytrít do sucha.

Trouba musí být uzemněna. Vidlice napájecího přívodu smí být zapojena pouze do zásuvky, která je náležitě uzemněna.

V případě jakýchkoliv pochybností o správnosti el. instalace nebo při poruchách trouby se obraťte na kvalifikovaného elektrikáře nebo servisního technika.

1. Mikrovlnná trouba je vybavena krátkým přívodním kabelem, aby se snížilo riziko úrazu zakopnutí nebo zamotání.
2. Dlouhý prodlužovací kabel musí splňovat tyto požadavky:
 - a) Z hlediska povoleného elektrického zatížení musí jmenovité hodnoty prodlužovacího kabelu a zásuvky odpovídat jmenovitým hodnotám mikrovlnné trouby.
 - b) Prodlužovací kabel musí být třížilový a vidlice i zásuvka musí být vybavena uzemňovacím kolíkem.

- c) Kabel musí být dobře uschován, aby nevisel zbytečně přes pracovní desku kuchyňské linky, a aby nemohlo dojít k zakopnutí nebo k vytažení kabelu dětmi.

NÁSTROJE A NÁDOBÍ

UPOZORNĚNÍ

Nebezpečí úrazu

Používejte pouze nádoby, které jsou vhodné k použití v mikrovlnných troubách. Těsně uzavřené nádoby mohou při vaření explodovat. Uzavřené nádoby musí být před vařením otevřeny a plastové obaly propíchnuty, viz Materiály, které mohou a nemohou být použity při vaření v mikrovlnné troubě. Existují některé nekovové materiály, které nemohou být bezpečně používány při vaření v mikrovlnné troubě. Pokud si nejste jisti, je-li možný materiál bezpečně použit při vaření v mikrovlnné troubě, postupujte následovně:

Test kuchyňského nádobí:

1. Nádobu určenou pro vaření v mikrovlnné troubě naplňte studenou vodou (250 ml).
2. Vařte po dobu 1 minuty při maximálním výkonu trouby.
3. Opatrně zkuste teplotu zkoušeného nádobí. Pokud je zkoušené nádobí teplé, nepoužívejte ho při vaření v mikrovlnné troubě.
4. Nevařte déle než 1 minutu.

NEBEZPEČÍ pro děti: Děti si nesmějí hrát s obalovým materiálem. Nenechte děti hrát si s plastovými sáčky. Nebezpečí udušení.



Horký povrch!

Materiály, které můžete použít v mikrovlnné troubě

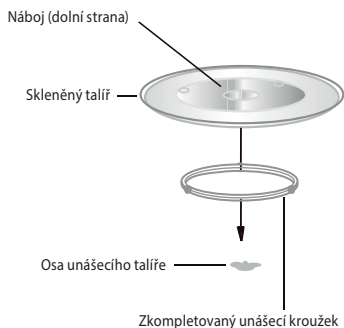
Nádobí	Poznámky
Zapékací plechy	Řiďte se pokyny výrobce. Dno pečící nádoby musí být alespoň 5 mm nad otočným talířem. Nesprávné zacházení může mít za následek prasknutí otočného talíře.
Talíře	Používejte pouze talíře a nádobí určené k použití v mikrovlnných troubách. Řiďte se pokyny výrobce. Nepoužívejte prasklé nebo jinak poškozené mísy.
Skleněné sklenice a džbány	Vždy sejměte těsnící víčko. Pokrm pouze ohřejte. Nevařte! Většina skleněných džbánů a sklenic neodolává vysokým teplotám a může dojít k prasknutí.

Nádobí	Poznámky
Skleněné zapékačí mísy	Používejte pouze skleněné zapékačí mísy odolávající vysokým teplotám. Přesvědčete se, že mísa nemá kovový lem nebo jiný kovový doplněk. Nepoužívejte prasklé nebo jinak poškozené mísy.
Zapékačí sáčky	Řiďte se pokyny výrobce. Neuzavírejte kovovými sponami. Ponechte spoj vaku pootevřený, aby horké páry mohly volně unikat.
Papírové tácky	Vhodné pouze pro ohřívání, nebo krátké vaření. Nenechávejte troubu bez dozoru během vaření.
Papírové utěrky	Používejte na přikrytí pokrmů a na odsátí rozpuštěného tuku. Používejte pouze na krátkodobé vaření. Nenechávejte bez dozoru během vaření.
Pergamenový zapékačí papír	Používejte na přikrytí pokrmů, na zabalení pokrmů během dušení a jako zábranu proti postříkání trouby.
Plastové materiály	Používejte pouze talíře a nádobí určené k použití v mikrovlnných troubách. Řiďte se pokyny výrobce. Plastový materiál vhodný k použití v mikrovlnné troubě musí mít specifické označení: „Vhodný pro mikrovlnné trouby.“ Některé plasty měknou v důsledku dlouhodobého působení vysokých teplot. „Varné sáčky“ a zapékačí vaky musí být prořizny, propíchnuty, nebo jinak odvětrány, podle návodu výrobce pokrmu.
Plastové obalovací folie	Používejte pouze talíře a nádobí určené k použití v mikrovlnných troubách. Používejte na přikrývání pokrmů a na udržení vlhkosti pokrmu během vaření. Dbejte na to, aby se plastová folie nedotýkala připravovaného pokrmu.
Teploměry	Používejte pouze teploměry vhodné k používání v mikrovlnných troubách. (Teploměry na maso, pečivo a cukroví).
Voskový papír	Používejte na přikrytí pokrmů, jako zábranu proti postříkání trouby a na udržení vlhkosti pokrmu během vaření.

Materiály, které nemohou být používány při vaření v mikrovlnné troubě

Nástroje a nádobí	Poznámky
Hliníkové podnosy a plechy	Hrozí nebezpečí zkroucení. Přemístěte pokrm do nádoby vhodné pro vaření v mikrovlnných troubách.
Potravinové a kartonové krabice s kovovým držadlem	Hrozí nebezpečí zkroucení. Přemístěte pokrm do nádoby vhodné pro vaření v mikrovlnných troubách.
Kovové nádobí a nádobí s kovovými doplňky	Kov zabraňuje pronikání mikrovlnné energie. Kovový lem se může zkroutit.
Drátěné zavírací kroužky	Hrozí nebezpečí zkroucení a požáru uvnitř trouby.
Papírové sáčky	Může dojít ke vznícení. Hrozí nebezpečí požáru uvnitř trouby.
Pěnové materiály	Působením vysokých teplot se plastová pěna může rozpustit a znehodnotit pokrm.
Dřevo	Dřevo se vysušuje a může prasknout během vaření.

INSTALACE UNÁŠECÍHO TALÍŘE



1. Nikdy nepokládejte skleněný talíř dnem nahoru. Skleněný talíř se musí vždy volně otáčet.
2. Nepoužívejte troubu bez unášecího kroužku a skleněného talíře.
3. Veškeré pokrmy a nádoby s pokrmy musí být vždy pokládány na skleněný talíř.
4. Pokud dojde k prasknutí skleněného talíře nebo k poškození unášecího kroužku, kontaktujte nejbližší autorizovaný servis.

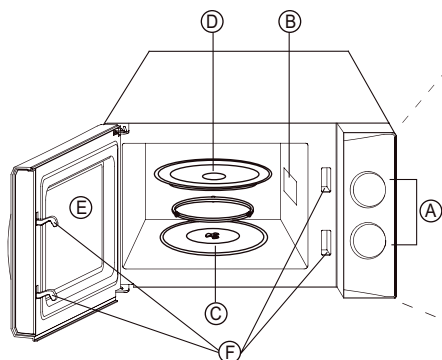
SESTAVENÍ MIKROVLNNÉ TROUBY

Názvy částí trouby a příslušenství

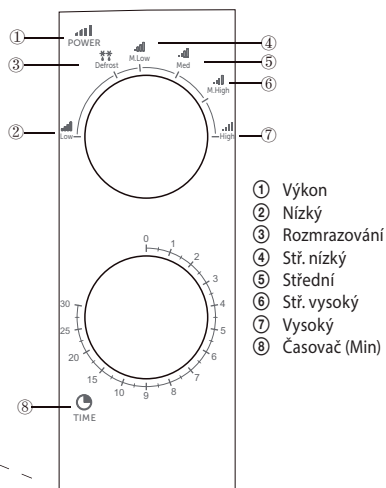
Vybalte troubu a veškeré příslušenství.

Trouba je dodávána s následujícími příslušenstvími:

Skleněný talíř	1
Zkompletovaný unášecí kroužek	1
Návod k obsluze	1



- A Ovládací panel
 B Vlnovod
 C Zkompletovaný unášecí kroužek
 D Skleněný talíř
 E Pozorovací okénko
 F Bezpečnostní uzamykací systém
 (Vypne přívod elektrické energie, pokud dojde k otevření dvířek během vaření.)



- 1 Výkon
 2 Nízký
 3 Rozmrazování
 4 Stř. nízký
 5 Střední
 6 Stř. vysoký
 7 Vysoký
 8 Časovač (Min)

INSTALACE

Odstraňte veškerý balicí materiál a vyjměte všechna příslušenství.

Zkontrolujte, zda trouba není nějak poškozena (promáčknutá nebo poškozená dvířka a podobně). Neinstalujte troubu, pokud je jakkoliv poškozená.

Pracovní deska kuchyňské linky

Tělo trouby: Odstraňte veškerou ochrannou fólii z povrchu trouby.

Neodstraňujte světlehnědou fólii, která je přišroubovaná uvnitř trouby. Tato fólie chrání magnetron trouby.

Instalace

1. Troubu umístěte na rovný povrch, který zaručuje dostatečně volný prostor pro správnou funkci odvětrávacích otvorů.

Mezi troubou a nejbližší zdí musí být minimální vzdálenost 7,5 cm.

Alespoň jedna strana musí být volná.

- Ponechejte alespoň 30 cm volného prostoru nad troubou.
- Neodstraňujte nožky trouby.
- Neblokujte větrací otvory. Může dojít k poškození trouby.
- Umístěte troubu co možná nejdále od rozhlasového a televizního přijímače. Mikrovlnná trouba může způsobovat rušení televizního a rozhlasového TV signálu.

2. Zapojte troubu do standardní elektrické sítě. Ujistěte se, že uvedená hodnota napětí a frekvenční kmitočet na štítku trouby se shoduje s hodnotou napětí a frekvenčním kmitočetem v síti.

UPOZORNĚNÍ: Neinstalujte troubu nad kuchyňskou varnou deskou ani v její blízkosti nebo v blízkosti jiného tepelného zařízení. Umístění trouby v blízkosti tepelného zařízení může mít za následek poškození trouby a zrušení platnosti záruky.

Mikrovlnná trouba je určena pro používání ve volném prostoru a nesmí se umísťovat do skříňky.

Během provozu může být povrch mikrovlnné trouby horký.



Ovládací panel a funkce

- Nastavte výkon trouby otočením ovladače (Power) na požadovaný stupeň.
- Délku vaření nastavte otočením časovače (Time) na požadovaný interval v závislosti na připravovaném pokrmu (max. 30 minut).

3. Mikrovlnná trouba po nastavení výkonu a času automaticky spustí vaření.
4. Po uplynutí nastavené délky vaření se trouba vypne.
5. Pokud troubu nepoužíváte, nechávejte časovač nastavený na „0“.

Poznámka: Při volbě doby vaření kratší dvou minut, otočte ovladačem dále přes 2 minuty a pak jej vraťte na požadovanou hodnotu.

Funkce	Výkon	Použití
Low (Nízký)	17 %	Změknutí zmrzliny
Defrost (Rozmrazování)	40 %	Rozmrazování
M. Low (Stř. nízký)	48 %	Příprava polévky, změknutí másla
Med (Střední)	66 %	Dušení masa, ryby
M. High (Stř. vysoký)	85 %	Rýže, ryby, kuře, mleté maso
High (Vysoký)	100 %	Ohřev, mléko, vaření vody, zelenina, nápoje

ODSTRAŇOVÁNÍ PROBLÉMŮ

Běžné	
Mikrovlnná trouba ruší příjem televize.	Mikrovlnná trouba v chodu může rušit příjem rádia a televize. Je to podobné rušení malých elektrických spotřebičů jako mixér, vysavač a elektrický ventilátor.
Světlo v troubě se ztlumí.	Při použití nižšího výkonu mikrovln se může světlo v troubě ztlumit.
Na dvířkách se hromadí pára, z průduchů vychází horký vzduch.	Při vaření může z jídla vycházet pára. Většina jí odejde větracími otvory, ale část se může nahromadit na chladnějším místě, jakým jsou dvířka. Tento jev je normální.
Trouba byla omylem spuštěna prázdná.	Troubu nesmíte zapínat prázdnou. Je to velmi nebezpečné.

Problém	Možná příčina	Náprava
Troubu nelze zapnout.	(1) Přívodní kabel není pevně zastrčen v zásuvce.	Vytáhněte kabel ze zásuvky. Zhruba po 10 sekundách kabel znovu zastrčte do zásuvky.
	(2) Vyhořela pojistka nebo vypadnul jistič.	Vyměňte pojistku nebo zapněte jistič (opravuje servisní technik z naší společnosti).
	(3) Problém se zásuvkou.	Zkuste do zásuvky zapojit jiné elektrické zařízení.
Trouba neheje.	(4) Dvířka nejsou správně zavřená.	Dobře zavřete dvířka.
Skleněný talíř vydává zvuky, když je mikrovlnná trouba v chodu.	(5) Otočná podložka nebo dno trouby jsou znečištěné.	Očistěte troubu podle pokynů v kapitole „Čištění“.

TECHNICKÉ ÚDAJE

Objem:	20 l	Jmenovité napětí:	230–240 V~ 50 Hz
Mikrovlnný výkon:	700 W	Jmenovitý příkon:	1 200 W
Časovač:	30 minut	Provozní frekvence:	2 450 MHz
Nastavení výkonu:	6 úrovní	Hlučnost:	55 dB
Otočný talíř:	Ø 245 mm		
Hmotnost:	10,5 kg		
Rozměry:	452 × 262 × 330 mm		
Rozměry vnitřního prostoru:	315 × 198 × 297 mm		

VYUŽITÍ A LIKVIDACE ODPADU

Balící papír a vlnitá lepenka – odevzdat do sběrných surovin. Přebalová folie, PE sáčky, plastové díly – do sběrných kontejnerů na plasty.

LIKVIDACE VÝROBKU PO UKONČENÍ ŽIVOTNOSTI

Likvidace použitých elektrických a elektronických zařízení (platí v členských zemích EU a dalších evropských zemích se zavedeným systémem třídění odpadu)

Vyobrazený symbol na produktu nebo na obalu znamená, že s produktem by nemělo být nakládáno jako s domovním odpadem. Produkt odevzdejte na místo určené pro recyklaci elektrických a elektronických zařízení. Správnou likvidací produktu zabráníte negativním vlivům na lidské zdraví a životní prostředí. Recyklace materiálů přispívá k ochraně přírodních zdrojů. Více informací o recyklaci tohoto produktu Vám poskytne obecní úřad, organizace pro zpracování domovního odpadu nebo prodejní místo, kde jste produkt zakoupili.

Tento výrobek splňuje požadavky směrnice EU o elektromagnetické kompatibilitě a elektrické bezpečnosti.

Návod k obsluze je k dispozici na webových stránkách www.ecg.cz.

Změna textu a technických parametrů vyhrazena.



08/05



OHUTUSJUHISED

Tutvuge põhjalikult ning säilitage edaspidiseks kasutamiseks!

Hoiatus: Juhendis sisalduvad ohutusabinõud ja juhised ei hõlma kõiki võimalikke tingimusi ja olukordasid. Kasutaja peab teadvustama, et terve mõistus, tähelepanu ja ettevaatus on tegurid, mida ei saa toodetesse integreerida. Seetõttu peab need tegurid tagama seadme kasutaja. Me ei vastutata transportimisel, mittenõuetekohasest kasutamisest, toitepinge kõikumisest või seadme mistahes osade vahetamisest või muutmisest põhjustatud kahjude eest.

Tulekahju või elektrilöögi riski eest kaitseks tuleb elektriseadmete kasutamisel rakendada põhilisi ettevaatusabinõusid, sealhulgas alljärgnevaid:

1. Veenduge, et toitevõrgu pinget vastab seadme andmesildil näidatud pingega ning, et pistikupesa on nõuetekohaselt maandatud. Pistikupesa tuleb paigaldada vastavalt kehtivatele EL elektrieeskirjadele.
2. Ärge kunagi kasutage mikrolaineahju, kui selle uks on kahjustatud, kui see ei tööta nõuetekohaselt või kui toitejuhe on kahjustatud.

HOIATUS: Mikrolaineikiirguse eest kaitseks ettenähtud kaitsekatte eemaldamist ja remonti on lubatud teostada ainult kogemustega töötajatel. Kõik remondid, sealhulgas toitejuhtme asendused, teostatakse vastavas teeninduskeskuses! Enne mistahes remonttööde teostamist tule seade ühendada toitevõrgust lahti. Ühendatud toitejuhtmega mikrolaineahju katte eemaldamine võib põhjustada hooldustehniku sattumise mikrolaineikiirguse mõjualasse või elektrilöögi!

3. Elektrilöögi ärahoidmiseks kaitske seadet otsese kokkupuutumise eest veega ja teiste vedelikega. Ärge sukeldage toitejuhet või pistikupesa vette!
4. Ärge kasutage mikrolaineahju õues ega märjas keskkonnas ning ärge puudutage toitejuhet või seadet märgade kätega. Elektrilöögi oht.
5. Erilist tähelepanu pöörake ahju kasutamisel laste läheduses!
6. Ärge jätke töötavat mikrolaineahju järelevalveta.
7. Ärge jätke toitevõrku ühendatud mikrolaineahju järelevalveta. Enne mistahes hoolduse teostamist ühendage toitejuhe vooluvõrgust lahti. Toitevõrgust lahtiühendamisel ärge tõmmake toitejuhtmest. Toitevõrgust lahtiühendamisel tõmmake pistikust.
8. Ärge kasutage mikrolaineahju kuumusallika, näiteks ahju keeduplaatide läheduses. Kaitske seadet otsese päikesevalguse eest.

9. Ärge laske toitejuhtmel kokku puutuda kuumade pindadega ning ärge jätke seda teravatele servadele.
10. Leegi ärahoidmiseks mikrolaineahju sees pöörake tähelepanu alljärgnevale:
- Ärge toitu üle kuumutage.
 - Enne paber- või plastikkottide ahju paigutamist, eemaldage kottidelt klambrid.
 - Vältige ahjus õli või rasva kuumutamist, kuna õli temperatuuri on võimatu reguleerida. Ärge praadige toitu ahju sees. Kuum õli võib kahjustada ahju ja kööginõusid ning ka põhjustada põletusi.
 - Pärast kasutamist pühkige ust, uksetihendit ja ahju sisemust keskmise tugevusega pesuaine lahuses niisutatud lapiga ja pühkige seejärel kuivaks. Kõik plekid, õli- ja toidujäätmel tuleb eemaldada samal viisil.

HOIATUS: Kui üks või uksetihend on kahjustatud, siis ei ärge kasutage ahju, kuni see on koolitatud isiku poolt parandatud. Ahju tuleb nõuetekohaselt puhastada ja mistahes toidujäätmel tuleb eemaldada. Ahju mittenõuetekohane puhastamine võib põhjustada pinna kahjustamist, mis mõjutab seadme kasutusiga ja võib kaasa tuua ohtliku olukorra. Kogunenud rasv võib üle kuumeneda ja põhjustada tulekahju. Ärge kasutage abrasiivseid puhastusvahendeid. Ärge puhastage seadet aurupuhastiga.

- Kui ahjus valmiv toit hakkab suitsema või süttib, siis jätke ahju uks avatuks, lülitage ahi välja ja tule levimise takistamiseks ühendage lahti ahju toitejuhe.
 - Kui kasutate ühekordseid plastikust, paberist või muust kergestisüttivast materjalist valmistatud mahuteid, siis süttimise ärahoidmiseks ärge jätke neid järelevalveta.
11. Plahvatusse või ootamatu keemamineku riski vähendamiseks pöörake tähelepanu alljärgnevale:

HOIATUS: Vältige vedelik ja muude roogade kuumutamist õhukindlates mahutites, kuna need on plahvatusohtlikud. Suletud pakenditeks loetakse ka keeratavate korkidega või luttidega imikupudeleid.

- Vedelike kuumutamisel kasutage laia avaga mahutit ja pärast kuumutamist laske ülekeemise ärahoidmiseks sellel 20 minutit seista.
- Ärge kuumutage mikrolaineahjus koorega tooreid mune, kõvaks keedetud mune, veesisaldusega rasva või õli ja suletud klaasanumaid,

- kuna nad võivad plahvatada isegi pärast kuumutamise lõppu. Kartulid, viinerid või kastanid tuleb enne ahju panemist koorida või läbi torgata.
- c) Jookide kuumutamine mikrolaineahjus võib põhjustada hilinevad keemist, millega peab arvestama mahuti hoidmisel.
- d) Imikupudelite sisu ja lastetoitu peab enne manustamist segama või loksutama ja põletuste ärahoidmiseks tuleb enne tarbimist kontrollida nende temperatuuri.
12. Pärast kuumutamist on mahutid väga kuumad. Mahutite eemaldamisel ahjust kasutage pajakindaid. Olge ettevaatlik ning hoiduge kuuma auruga näo ja käte põletamist.
13. Alati tõstke üles kaane või toidukile kõige kaugem serv. Avage röstitud maisiterade kotid või küpsetuskotid näost piisavalt eemal.
14. Pöördaluse kaitsmine purunemise eest:
- a) Enne puhastamist laske klaasalusel maha jahtuda.
- b) Ärge asetage külmale klaasalusele kuumi nõusid või mahuteid.
- c) Ärge asetage kuumale klaasalusele külmutatud toitu või külmi mahuteid.
15. Veenduge, et mahutid ei puuduta kuumutamise käigus ahju siseseinu.
16. Ärge hoidke mikrolaineahjus toiduaineid ega muid esemeid. Mikrolaineahi võib elektrivõrku tabanud välgu tõttu iseenesest sisse lülituda.
17. Ärge kasutage ahju, kui selles ei ole toitu või vedelikke. See võib mikrolaineahju kahjustada. Ärge katke või blokeerige mikrolaineahju mistahes avasid.
18. Kasutage ainult tootja poolt soovitatud tarvikuid, vastasel juhul võib garantii kaotada kehtivuse.
19. Kasutage mikrolaineahju ainult vastavalt selle kasutusjuhendi juhistele. Mikrolaineahi on ettenähtud kasutamiseks ainult koduses majapidamises. Valmistaja ei vastuta seadme mittenõuetekohasest kasutamisest põhjustatud kahjustuste eest.
20. Mikrolaineahi on ettenähtud toiduainete või vedelike kuumutamiseks. Toiduainete või riiete kuivatamine ning toasusside, käsnade, niiske tekstiilsemete ja muude sarnaste esemete kuumutamine võib põhjustada vigastuse, plahvatuse või tulekahju.
21. See seade on ettenähtud kasutamiseks koduses majapidamises ja muudes sarnastes kohtades, sealhulgas:
- kaupluste, büroode ja teiste töökohtade kööginurgad
 - põllumajandusettevõtted

- hotellid, motellid ja teised ööbimiskohad
- majutuskohad.

22. Seadet võivad kasutada 8 aastased ja vanemad lapsed, puudulike füüsiliste või vaimsete võimetega või ebapiisavate teadmistega või kogemustega isikud tingimusel, et nad on järelevalve all ning neile on selgitatud seadme ohutut kasutamist ning nad on teadlikud potentsiaalsetest riskidest. Ärge lubage lastel seadmega mängida. Puhastamis- ja hooldustoiminguid ei ole lubatud teostada alla 8 aastastel ja järelevalveta lastel.

Vältige sattumist mikrolaine energia mõjualasse

1. Ärge üritage kasutada avatud uksega mikrolaineahju. See võib põhjustada kokkupuute ohtliku mikrolaineikiirgusega. Ärge üritage purustada mikrolaine ukse ohutuslukke.
2. Ärge sisestage ahjuukse vahele kõrvalisi esemeid. Veenduge, et uksetihendisse või ahju tihenduselementidesse ei satu mustust või puhastusainete jääke.
3. Ärge kasutage kahjustatud ahju. Pärast sulgemist peab uks olema täiesti tihe ning ei tohi olla kahjustatud.

Ahju uksele tekitatud kahjustuste näited:

- a) Ahju ukse MÖLKIMINE.
- b) Lahtised või purunenud ukse HINGED või OHUTUSPIIRDED.
- c) AHJUUKSE TIHEND VÕI TIHENDUSALAD KORPUSEL.

Mikrolaineahju reguleerimisi ja remonte on lubatud teostada ainult spetsialistil.

4. Kuna enamik seadmeid on ettenähtud küpsetamiseks, siis on ahju ümbruses tulekahju riski vähendamiseks vajalik range järelevalve.

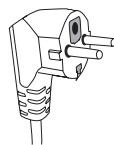
Tulekahju korral:

1. Ärge avage ahju ust.
2. Lülitage ahi välja ning ühendage lahti toitevõrgust.
3. Lülitage välja peatoitelüliti.

PUHASTAMINE

Enne puhastamist ühendage mikrolaineahi toitevõrgust lahti.

1. Ahju sisemuse puhastamiseks kasutage niisket lappi.
2. Puhastage tarvikuid seebiveega.
3. Puhastage ukse raami, tihendit ja lähedalasuvaid detaile põhjalikult nõudepesuvahendiga niisutatud lapiga ning pühkige kuivaks.



Mikrolaineahi peab olema maandatud. Pistik peab olema ühendatud ainult nõuetekohaselt maandatud pistikupessa. Kui kahtlete juhtmete nõuetekohase ühenduse suhtes või talitushäirete korral pöörduge kogemustega elektrikui või hooldustehniku poole.

1. Elektrijuhtme vastu komistamise ärahoidmiseks on mikrolaineahi varustatud lühikese toitejuhtmega.
2. Pikad pikendusjuhtmed peavad vastama alljärgnevatele nõuetele:
 - a) Pikendusjuhtme ja pistikupesa elektrilise koormuse nimiväärtused peavad vastama mikrolaineahju nimiväärtustega.
 - b) Pikendusjuhe peab olema kolmesooneline ning pistik peab olema varustatud maanduskontaktiga.
 - c) Toitejuhe peab olema hästi varjatud nii, et ta ei ripuks üle köögi töölaua ning et vältida laste komistamist selle vastu ja selle väljatõmbamist.

KÖÖGIRIISTAD JA NÕUD

HOIATUS

Vigastuse risk

Kasutage ainult mikrolaineahjus kasutamiseks ettnähtud mahuteid. Tihedalt suletud mahutid võivad kuumutamisel plahvatada. Enne toidu valmistamist tuleb suletud mahutid avada ning plastikumahutid läbi torkida. Lisateavet mikrolaineahjus kasutatavate materjalide kohta vaadake Materjalide peatükis. Mõned mittemetallmaterjalid ei sobi mikrolaineahjus kasutamiseks. Kahtluse korral toimige alljärgnevalt:



Pealispind on kuum!

Mahuti kontrollimine:

1. Täitke kuumutatav mahuti (250 ml) külma veega.
2. Kuumutage maksimaalse võimsuse juures 1 minuti jooksul.
3. Kontrollige ettevaatlikult katsemahuti temperatuuri. Kui katsemahuti on soe, siis ärge kasutage seda mikrolaineahjus kuumutamiseks.
4. **Ärge kuumutage üle 1 minuti.**

OHT lastele: Ärge lubage lastel mängida pakkematerjalidega. Ärge lubage lastel mängida plastkottidega. Lämpumise oht.

Materjalid mida Te võite või ei või mikrolaineahjus kasutada

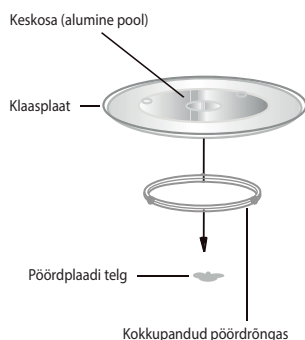
Sööginõud	Märkused
Küpsetusvormid	Järgige tootja juhiseid. Küpsetusnõu põhi peab olema vähemalt 5 mm kõrgusel pöördalusest. Mittenõuetekohane kasutamine võib põhjustada pöördaluse purunemise.

Sööginõud	Märkused
Taldrikud	Kasutage ainult mikrolaineahjus kasutamiseks ettenähtud lauanõusid. Järgige tootja juhiseid. Ärge kasutage pragunenud või muul viisil kahjustatud kausse.
Klaasid ja kannud	Eemaldage alati kaas. Kasutage ainult toiduainete kuumutamiseks. Ärge küpsetage nendes! Suurem osa klaasist kannusid ja klaase ei ole kõrgetele temperatuuridele vastupidavad ja võivad puruneda.
Klaasist küpsetusnõud	Kasutage ainult kuumuskindlaid küpsetusnõusid. Veenduge, et kaussidel ei ole metallservi ega muid metallist detaile. Ärge kasutage pragunenud või muul viisil kahjustatud kausse.
Küpsetuskotid	Järgige tootja juhiseid. Ärge sulgege metallklambritega. Jätke kinnituskoht veidi avatuks nii, et kuum aur pääseb välja.
Paberist küpsetusvormid.	Sobivad ainult kuumutamiseks või lühiajaliseks küpsetamiseks. Ärge jätke mikrolaineahju küpsetamise ajal järelevalveta.
Paberrätikud	Kasutage toidu katmiseks ja sulanud rasva imamiseks. Kasutage ainult lühiajaliseks toiduvalmistamiseks. Ärge jätke mikrolaineahju küpsetamise ajal järelevalveta.
Küpsetuspaber	Kasutage toidu katmiseks, toidu katmiseks küpsetamise ajal ja ahju kaitsmiseks pritsmete eest.
Plastikmaterjalid	Kasutage ainult mikrolaineahjus kasutamiseks ettenähtud lauanõusid. Järgige tootja juhiseid. Mikrolaineahjus kasutamiseks sobiv plastikmaterjal peab olema vastava tähistusega: „Sobivad kasutamiseks mikrolaineahjus“. Mõned plastikmaterjalid muutuvad kõrgete temperatuuride pikaajalisel mõjul pehmeks. „Keedukotid“ ja küpsetuskotid tuleb vastavalt tootja juhistele läbi lõigata, augustada või muul viisil õhutada.
Plastist pakkekiiled	Kasutage ainult mikrolaineahjus kasutamiseks ettenähtud lauanõusid. Kasutage neid toidu katmiseks ja toidus toiduvalmistamise ajal niiskuse säilitamiseks. Veenduge, et kile ei puutu kokku valmistatava toiduainega.
Termomeetrid	Kasutage ainult mikrolaineahjus kasutamiseks ettenähtud termomeetreid. (Liha, kondiitritooteid ja koogide termomeetrid)
Vahapaber	Kasutage toidu katmiseks ning ahju kaitsmiseks pritsmete eest ja toidus toiduvalmistamise ajal niiskuse säilitamiseks.

Materjalid, mis ei sobi kasutamiseks mikrolaineahjus toidu valmistamiseks

Seadmed ja sööginõud	Märkused
Alumiiniumist alused ja taldrikud	Oht või kahjustamine. Paigutage toiduained mikrolaineahjus kasutamiseks lubatud mahutisse.
Metallkäepidemega pappkarbid	Oht või kahjustamine. Paigutage toiduained mikrolaineahjus kasutamiseks lubatud mahutisse.
Metallnõud ja metalldetailidega nõud	Metall takistab mikrolainete läbitungimist. Metalläär võib kõverduda.
Traadist lukustusrõngad	Kahjustamise ja tulekahju oht mikrolaineahju sees.
Paberkotid	Need võivad süttida. Tulekahju oht mikrolaineahju sees.
Vahtplastikmaterjalid	Vahtplast võib kuumuse mõjul sulada ja halvendada toidu kvaliteeti.
Puit	Puit kuivab toiduvalmistamise ajal ja võib praguneda.

PÖÖRDPLAADI PAIGALDAMINE



1. Ärge kunagi asetage klaasplaati põhjaga ülespoole. Klaasplaat peab alati vabalt pöörlema.
2. Ärge kasutage ahju kunagi ilma pöörleva tugialuseta ja klaasplaadita.
3. Kõik toiduained ja mahutid peavad alati olema klaasplaadil.
4. Kui klaasplaat praguneb või kui pöörlev tugialus saab kahjustada, siis pöörduge lähimasse volitatud teenindusettevõttesse.

MIKROLAINEAHJU KOKKUPANEK

Ahju osade ja tarvikute nimetused

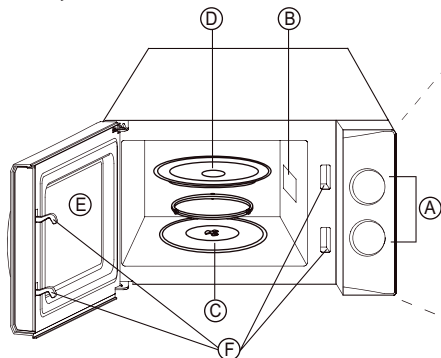
Pakkige mikrolaineahi ja kõik tarvikud lahti.

Ahju komplekti kuuluvad alljärgnevad tarvikud:

Klaasplaat

Kokkupandud pöörlev tugialus 1

Kasutusjuhend 1



(A) Juhtpaneel

(B) Lainesuunaja

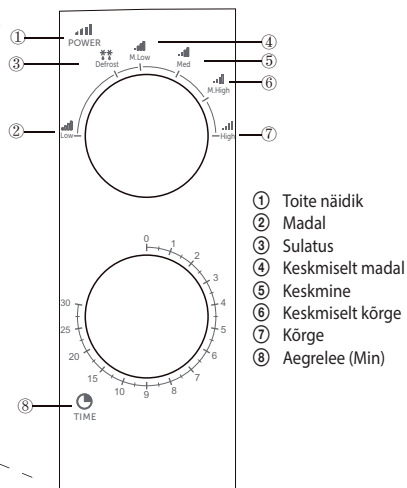
(C) Kokkupandud pöörlev tugialus

(D) Klaasplaat

(E) Vaateaken

(F) Turvaluku süsteem

(Kui uks avada toiduvalmistamise ajal, siis katkestab elektritoite.)



- 1 Toite näidik
- 2 Madal
- 3 Sulatus
- 4 Keskmiselt madal
- 5 Keskmine
- 6 Keskmiselt kõrge
- 7 Kõrge
- 8 Aegrelee (Min)

PAIGALDAMINE

Eemaldage pakendimaterjal ja võtke välja kõik tarvikud.

Kontrollige, et ahi ei ole mistahes viisil kahjustatud (mõlkis või kahjustatud uks, jne). Ärge paigaldage mistahes viisil kahjustatud ahju.

Köögi töötasapind

Ahju korpus: Eemaldage ahju pindadelt kõik kaitsekiled.

Ärge eemaldage ahju sisse kinnitatud helepruuni kilet. See kile kaitseb ahju magnetroni.

PAIGALDAMINE

1. Asetage ahi tasasele pinnale, mis tagab piisava vaba ruumi ventilatsiooniavade nõuetekohaseks töötamiseks.

Vahemaa ahju ja lähima seina vahel peab olema vähemalt 7,5 cm.

Vähemalt ühel poolel peab olema vaba ruum.

a) Jätke ahju kohale vähemalt 30 cm vaba ruumi.

b) Ärge eemaldage ahju tugijalgasid.

c) Ärge blokeerige ventilatsiooniavasid. See võib ahju kahjustada.

d) Paigutage mikrolaineahi võimalikult eemale raadios või televiisorist.

Mikrolaineahi võib televiisori või raadio signaali segada.

2. Ühendage ahi standardsesse toitepistikusse. Veenduge, et andmeplaadil näidatud toitepinge ja sagedus vastab toitevõrgu pingele ja sagedusele.

HOIATUS: Ärge paigutage ahju köögipliidi kohale või selle lähedale või mistahes muu soojuskiirguse allika lähedale. Ahju paigutamine soojuskiirguse allika lähedale võib

ahju kahjustada ja muuta garantii kehtetuks.

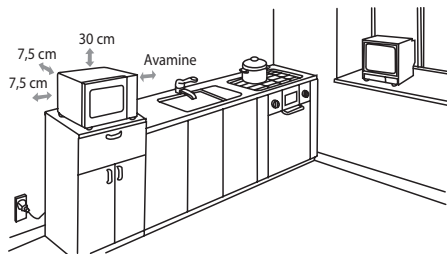
Mikrolaineahi on ettenähtud kasutamiseks avatud ruumis ning seda ei ole lubatud paigutada kappi.

Mikrolaineahju pealispond võib töötamise ajal kuumeneda.

Juhtpaneel ja funktsioonid

1. Seadistage ahju võimsus pöörates juhtlüliti (Võimsus) soovitud tasemele.

2. Seadistage küpsetusaeg pöörates aegrelee (aeg) soovitud ajaintervallile, sõltuvalt valmistatavast toidust (maks 30 minutit).



3. Pärast võimsuse ja aja seadistamist alustab mikrolaineahi automaatset küpsetamist.
4. Pärast seadistatud küpsetusaja möödumist lülitab ahi ennast ise välja.
5. Kui Te ahju ei kasuta, siis jätke aegrelee „0“ tähise juurde.

Märkus: Alla kahe minuti pikkuse küpsetusaja valimiseks pöörake juhtlülitit 2 minuti märgini ja siis pöörake tagasi soovitud väärtuseni.

Funktsioonid	Võimsus	Kasutusala
Madal	17 %	Jäätise pehmemdamine
Sulatamine	40 %	Sulatamine
Keskmiselt madal	48 %	Supi valmistamine, või pehmemdamine
Keskmine	66 %	Liha, kala hautamine
Keskmiselt kõrge	85 %	Riis, kala, kana, hakkliha
Kõrge	100 %	Kuumutamine, piim, keev vesi, juurviljad, joogid

VEAOTSING

Üldised probleemid	
Mikrolaineahi segab televiisorit.	Töötamise ajal võib mikrolaineahi segada raadio või televiisori töötamist. Need on sama tüüpi häired nagu väikeste elektriseadmete korral, nagu näiteks mikserid, tolmuimejad ja elektrilised ventilaatorid.
Ahjus olev valgustus tuhmub.	Madala võimsuse korral võib ahjus olev valgustus tuhmuda.
Aur on kogunenud ukse juurde, õhutusavadest tuleb kuuma õhku.	Küpsetamise ajal võib toiduainetest eralduda auru. Enamus sellest väljub ventilatsioonivade kaudu, kuid osa võib koguneda külmematesse aladesse, nagu näiteks ukse juurde. See on normaalne.
Tühja ahju juhuslik sisselülitamine.	Vältige tühja ahju sisselülitamist. See on väga ohtlik.

Probleem	Võimalik põhjus	Lahendus
Ei saa ahju sisse lülitada.	(1) Toitejuhe ei ole nõuetekohaselt ühendatud toitepistikuga.	Tõmmake toitejuhe toitepistikust välja. Ühendage toitejuhte toitepistikuga umbes 10 sekundi pärast.
	(2) Sulavakaitse on läbi põlenud või kaitselüliti on rakendunud.	Asendage sulavkaitse või lähtestage kaitselüliti (kaitselüliti on lubatud remontida ainult meie ettevõtte hooldustehnikul).
	(3) Probleem toitepistikuga.	Üritage toitepistikuga ühendada erinevaid elektriseadmeid.
Ahi ei soojene.	(4) Uks ei ole nõuetekohaselt suletud.	Sulgege uks nõuetekohaselt.
Ahju töötamise ajal tekitab klaasplaat müra.	(5) Pöörlev alus ja ahju põhi on määrdunud.	Puhastage vastavalt „Puhastamine“ peatüki juhistelet.

TEHNILINE TEAVE

Mahutavus:	20 l	Nimipinge:	230–240 V~ 50 Hz
Mikrolaineahju võimsus:	700 W	Nimivõimsus:	1200 W
Aegrelee:	30 minutit	Töösagedus:	2450 MHz
Võimsusastmed:	6 taset	Müratase:	55 dB
Pöördplaat:	Ø 245 mm		
Kaal:	10,5 kg		
Möödud:	452 × 262 × 330 mm		
Sisemöödmed:	315 × 198 × 297 mm		

KASUTAMINE JA KASUTUSEST KÕRVALDAMINE

Pakkepaber ja lainepapp – viige jäätmejaama. Pakkekiled, PE kotid, plastist osad – visake plasti ringlussevõtu konteineritesse.

TOOTE KASUTUSEST KÕRVALDAMINE TÖÖEA LÕPUS

Elektri- ja elektroonikaseadmete kasutusest kõrvaldamine (kehtib EL-i liikmesriikides ja teistes Euroopa riikides, kus rakendatakse ringlussevõtusüsteemi)

Näidatud sümbol tootel või pakett tähendab, et toodet ei tohiks käidelda nagu olmejäätmeid. Viige toode elektri- ja elektroonikaseadmetele ettenähtud ringlussevõtupunkti. Vältige võimalikke negatiivseid mõjusid inimese tervisele ja keskkonnale, tagades oma toote korraliku ringlussevõtu.

Ringlussevõtt aitab säilitada loodusvarasid. Lisateavet selle toote ringlussevõtu kohta saate oma kohalikust omavalitsusest, olmejäätmete käitlemise ettevõttest või poest, kust te toote ostsite.

See toode vastab Euroopa Liidu elektromagnetilise ühilduvuse ja elektriohutuse direktiivi nõuetele.

Teksti ja tehniliste parameetrite muutmise õigused on reserveeritud.



08/05



Eesti keel

INSTRUCCIONES DE SEGURIDAD

¡Lea con atención y guarde para un uso futuro!

Advertencia: Las medidas e instrucciones de seguridad incluidas en este manual no cubren todas las condiciones y situaciones posibles. El usuario debe comprender que el sentido común, la precaución y el cuidado son factores que no pueden ser incorporados en ningún producto. Por lo tanto, estos factores deben ser garantizados por el/los usuario(s) que usa(n) y opera(n) este artefacto. No somos responsables por ningún daño causado durante el envío, por el uso incorrecto, variaciones del voltaje, o modificación o ajuste de cualquier parte del artefacto.

Para protegerse contra riesgo de incendio o descarga eléctrica, debe tomar precauciones básicas mientras usa artefactos eléctricos, incluso lo siguiente:

1. Asegúrese de que el voltaje en su tomacorriente corresponda con el voltaje indicado en la etiqueta del dispositivo y de que el tomacorriente tenga la correspondiente descarga a tierra. El tomacorriente eléctrico debe ser instalado de acuerdo con los códigos eléctricos aplicables según los estándares europeos (EN).
2. Nunca use el horno si la puerta está dañada, si el horno no funciona en forma apropiada o si el cable de alimentación está dañado.

ADVERTENCIA: Es peligroso que cualquier persona que no esté capacitada realice reparaciones o tareas de mantenimiento que impliquen retirar cualquier cubierta que proporcione protección contra la radiación de microondas. ¡Todas las reparaciones o ajustes, incluso los reemplazos de cable, deben ser realizadas por un taller de reparaciones autorizado! La fuente de alimentación AV debe ser desenchufada antes de realizar cualquier reparación. ¡Sacar la cubierta con el cable enchufado puede causar que el técnico en reparaciones sea expuesto a energía de microondas o a recibir una descarga de corriente eléctrica!

3. Proteja el artefacto del contacto directo con agua u otros líquidos para evitar una potencial descarga eléctrica. ¡No sumerja el cable ni el enchufe en agua!
4. No use el horno microondas al aire libre ni en un ambiente húmedo, ni tampoco toque el cable de alimentación ni el artefacto con las manos mojadas. Riesgo de descarga eléctrica.

5. ¡Es necesaria una supervisión cuidadosa para usar el horno cerca de los niños!
6. No deje el horno microondas en funcionamiento y sin supervisión.
7. No se recomienda dejar el cable del horno conectado al tomacorriente sin supervisión. Desconecte el cable del tomacorriente antes de realizar cualquier mantenimiento. No desenchufe el cable del tomacorriente tirando del mismo. Desenchufe el cable de alimentación del tomacorriente sujetando el enchufe.
8. No use el horno microondas cerca de una fuente de calor, por ejemplo, una hornalla de la cocina. Proteja el artefacto de la luz solar directa.
9. No permita que el cable de alimentación toque superficies calientes ni que se ubique sobre bordes afilados.
10. Evite incendios dentro del horno haciendo lo siguiente:
 - a) No sobrecaliente los alimentos.
 - b) Antes de colocar bolsas de papel o plástico en el horno, retire todos los sujetapapeles.
 - c) No caliente aceite ni grasa para freír ya que no puede regular la temperatura del aceite. No fría alimentos dentro del horno. El aceite caliente puede dañar partes del horno y la vajilla de cocina y también causar quemaduras.
 - d) Después de utilizar, limpie la puerta, el sello de la puerta y el área interior del horno con un paño sumergido en una solución de detergente suave y seque. De esta manera se eliminan todas las manchas, grasas y residuos de alimentos.

ADVERTENCIA: Si la puerta o el sello de la puerta están dañados, no use el horno hasta que sea reparado por una persona capacitada. El horno se debe limpiar en forma apropiada y se debe eliminar cualquier residuo de comida. El hecho de no mantener el horno limpio puede resultar en daños a la superficie, afectar en forma adversa la vida útil del artefacto y resultar en una situación peligrosa. La grasa acumulada puede sobrecalentarse e iniciar un incendio. No use agentes limpiadores abrasivos. No se debe limpiar el artefacto con un limpiador a vapor.

- e) Si los alimentos cocinados dentro del horno comienzan a emitir humo o se encienden, deje la puerta del horno cerrada, apáguelo y saque el enchufe de la fuente de alimentación del tomacorriente para evitar que el incendio se propague.

f) Cuando se usen recipientes desechables de plástico, papel u otro material combustible no debe dejar el horno sin supervisión para evitar incendios.

11. Limite el riesgo de explosión o ebullición repentina teniendo en cuenta lo siguiente:

ADVERTENCIA: No se deben calentar líquidos y otros platos en recipientes herméticos ya que son susceptibles a explosiones. Los biberones con tapas a rosca o chupetes también se consideran recipientes sellados.

- a) Cuando caliente líquidos, use un recipiente de boca ancha y luego déjelo reposar durante 20 segundos, para evitar una ebullición eruptiva.
- b) Los huevos con cáscara y huevos duros, el agua con grasa o aceite y los recipientes de vidrio cerrados no deben ser calentados en el horno microondas, ya que pueden explotar incluso después de que terminó de calentar. Las papas, embutidos o castañas deben ser pelados o picados antes de insertarlos en el microondas.
- c) El hecho de calentar bebidas en el microonda puede causar una ebullición retardada, y esto debe ser tenido en cuenta al agarrar el recipiente.
- d) Los contenidos de los biberones y los alimentos para bebés deben ser mezclados o sacudidos antes de ser administrados y se debe verificar su temperatura antes de consumirlos para así evitar quemaduras.

12. Los recipientes están muy calientes luego de ser calentados. Use guantes para horno cuando retire los recipientes del horno. Tenga cuidado de no quemarse la cara y las manos cuando toma contacto con el vapor caliente.

13. Siempre levante el borde más alejado de la tapa o del envoltorio del alimento. Abra las bolsas de palomitas de maíz y las bolsas para hornear a una distancia suficiente de la cara.

14. Proteja el plato giratorio de las roturas:

- a) Deje que la bandeja de vidrio se enfríe antes de limpiarla.
- b) No coloque platos ni recipientes calientes sobre una bandeja de vidrio fría.
- c) No coloque alimentos congelados ni recipientes fríos sobre una bandeja de vidrio caliente.

15. Asegúrese de que los recipientes no toquen las paredes internas del horno durante el proceso de calentamiento.

- 16.No almacene alimentos ni otros objetos dentro del horno. El horno puede encenderse de manera espontánea si la red eléctrica es golpeada por un rayo.
- 17.No use el horno si no tiene dentro alimentos o bebidas. Esto puede causar daños al horno. No cubra ni bloquee ninguna abertura en el horno microondas.
- 18.Solo use los accesorios aconsejados por el fabricante, de lo contrario corre el riesgo de perder la garantía.
- 19.Use el horno microondas solo de acuerdo con las instrucciones provistas en este manual. Este horno microondas está diseñado solo para uso doméstico. El fabricante no es responsable por daños causados por el uso inapropiado de este artefacto.
- 20.El horno microondas está diseñado para calentar alimentos y bebidas. Secar alimentos o ropa, calentar almohadones, pantuflas, esponjas, telas húmedas o artículos similares puede causar lesiones, explosión o incendio.
- 21.Este artefacto está destinado para uso doméstico y en áreas similares, como:
 - espacios de cocinas en mercados, oficinas y otros lugares de trabajo
 - artefactos utilizados en la industria agrícola
 - artefactos usados por huéspedes en hoteles, moteles y otras áreas residenciales
 - artefactos usados en establecimientos de «bed and breakfast»
- 22.Este artefacto puede ser usado por niños de 8 años de edad y mayores y por personas con discapacidades físicas y mentales o por personas con experiencia o conocimiento insuficiente, siempre y cuando sean supervisadas o se les haya enseñado el uso seguro del artefacto y comprendan los riesgos potenciales de usar el artefacto de manera inapropiada. Los niños no deben jugar con el artefacto. Los niños no deben realizar las actividades de limpieza ni el mantenimiento, a menos que sean mayores de 8 años y estén supervisados.

No se exponga a excesiva energía de microondas

1. No trate de hacer funcionar el horno microondas si la puerta está abierta. Al hacerlo, puede quedar expuesto a energía nociva de microondas. No intente romper ni bloquear las trabas de seguridad en la puerta del horno.
2. No coloque objetos extraños entre la puerta del horno. Asegúrese de que no quede suciedad ni residuos de agentes limpiadores en el sello de la puerta o elementos selladores del horno.

- No use el horno si está dañado. La puerta del horno debe quedar perfectamente ajustada al cerrar y no debe estar dañada.

Ejemplos de daño causados a la puerta del horno:

- ABOLLAR la puerta del horno.
- BISAGRAS o PROTECTORES flojos o rotos de la puerta.
- SELLO DE LA PUERTA DEL HORNO O ÁREAS DE SELLADO EN LA CABEZA DEL MARCO.

Los ajustes o reparaciones al horno microondas deben ser realizados solo por una persona calificada.

- Como con la mayoría de los artefactos diseñados para hornear, es necesaria una supervisión estricta para reducir el riesgo de incendio alrededor del horno.

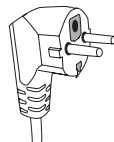
En caso de incendio:

- No abra la puerta del horno.
- Apague el horno y desenchufe el cable del tomacorriente.
- Apague el interruptor principal de energía.

LIMPIEZA

Asegúrese de haber desenchufado el horno del tomacorriente desconectando el enchufe del tomacorriente.

- Use un paño húmedo para limpiar dentro del horno.
- Limpie los accesorios como lo hace normalmente con agua con jabón.
- Limpie el marco de la puerta, el sello y las partes circundantes cuidadosamente usando un paño húmedo sumergido en detergente lavavajillas y seque.



Este artefacto debe ser puesto a tierra. El enchufe debe ser conectado solamente a un tomacorriente apropiadamente puesto a tierra. Consulte a un electricista calificado o técnico en reparaciones si tiene alguna duda con respecto al cableado apropiado o experimenta un mal funcionamiento.

- El horno microondas está equipado con un cable corto para reducir el riesgo de tropiezos o enredos.
- Los cables prolongadores largos deben cumplir con los siguientes requisitos:
 - Con respecto a la carga eléctrica, los valores nominales del cable prolongador y el tomacorriente deben cumplir con los valores nominales del horno microondas.

- b) El cable prolongador debe ser de alambre triple y el enchufe debe estar equipado con una clavija de puesta a tierra.
- c) El cable debe ser ocultado bien de manera que no cuelgue de la mesa de trabajo de la cocina y así evitar que los niños se tropiecen con él o que tiren de él.

UTENSILIOS Y VAJILLA

ADVERTENCIA

Riesgo de lesión

Use solamente recipientes que sean apropiados para hornos microondas. Los recipientes cerrados herméticamente pueden explotar al ser calentados. Los recipientes cerrados deben ser abiertos antes de cocinar, y los envases plásticos deben ser perforados, consulte Materiales para ver cuáles materiales pueden ser usados en el horno microondas y cuáles no. Algunos materiales no metálicos no pueden ser usados en forma segura para calentar en el horno. Si no está seguro si un material puede ser usado para calentar en el horno o no, proceda de la siguiente manera:

Pruebe el recipiente:

1. Llene el recipiente a ser calentado en el horno microondas con agua fría (250 ml).
2. Caliente durante 1 minuto en la potencia máxima de cocción.
3. Controle cuidadosamente el recipiente que está probando. Si el recipiente probado está tibio, no lo use para calentar en el horno.
4. **No cocine durante más de 1 minuto.**

PELIGRO para los niños: Los niños no deben jugar con el material de empaque. No permita que los niños jueguen con las bolsas plásticas. Riesgo de sofocación.



¡Superficie caliente!

Materiales que puede utilizar en el horno microondas

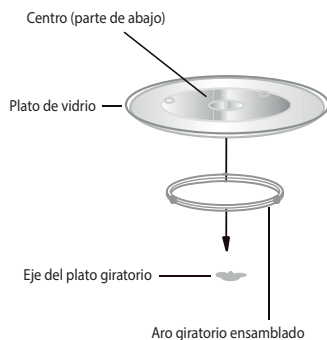
Vajillas	Notas
Bandejas para hornear	Siga las instrucciones del fabricante. La parte inferior del envase para hornear debe estar al menos 5 mm alejada del plato giratorio. La manipulación incorrecta podría causar la rotura del plato giratorio.
Platos	Utilice solo platos y vajilla diseñada para uso en horno microondas. Siga las instrucciones del fabricante. No utilice boles rajados o dañados.
Vasos y jarros	Siempre quite la tapa. Solo caliente los alimentos. ¡No los cocine! La mayoría de los jarros y vasos de vidrio no son resistentes a temperaturas elevadas y pueden romperse.
Bandejas de vidrio para hornear	Utilice solamente bandejas de vidrio resistentes a temperaturas elevadas. Controle que el bol no tenga un borde metálico ni ningún otro accesorio de metal. No utilice boles rajados o dañados.
Bolsas para hornear	Siga las instrucciones del fabricante. No cierre con sujetadores metálicos. Deje la unión sellada levemente abierta de manera que pueda salir el vapor caliente.

Vajillas	Notas
Bandejas de papel	Apropiadas solo para calentar o para cocinar durante períodos cortos. No deje el horno sin supervisión mientras está cocinando.
Toallas de papel	Utilice para cubrir alimentos y para absorber la grasa derretida. Solo utilice para cocinar durante períodos cortos. No deje sin supervisión mientras está cocinando.
Papel para hornear resistente a la grasa	Utilice para cubrir alimentos, para cubrir alimentos mientras los guisa, y para evitar que el horno quede rociado.
Materiales plásticos	Utilice solo platos y vajilla diseñada para uso en horno microondas. Siga las instrucciones del fabricante. Un material plástico apropiado para ser utilizado en horno microondas debe tener una etiqueta específica: «Apropiado para horno microondas». Algunos plásticos se ablandan como resultado del efecto prolongado de las altas temperaturas. Las «bolsas para hervir» y las «bolsas para hornear» deben ser cortadas, perforadas o ventiladas de alguna manera de acuerdo con las instrucciones del fabricante de los alimentos.
Envoltorios plásticos	Utilice solo platos y vajilla diseñada para uso en horno microondas. Utilícelos solo para cubrir alimentos y para mantener la humedad de los alimentos durante la cocción. Asegúrese de que el envoltorio de plástico no esté tocando el alimento que está siendo preparado.
Termómetros	Utilice solo termómetros diseñados para el uso en horno microondas. (Termómetros para carne, productos de pastelería y tortas).
Papel encerado	Utilícelos solo para cubrir alimentos e impedir que el horno sea rociado y para mantener la humedad de los alimentos durante la cocción.

Materiales que no deben ser utilizados para cocinar en el horno microondas

Equipamiento y vajilla	Notas
Bandejas y platos de aluminio	Peligro de distorsión. Mueva el alimento a un recipiente apropiado para cocinar en el horno microondas.
Cajas de papel y cartón con manija de metal	Peligro de distorsión. Mueva el alimento a un recipiente apropiado para cocinar en el horno microondas.
Vajilla de metal o con accesorios metálicos	El metal impide que la energía microondas penetre. El borde metálico puede deformarse.
Anillos traba de alambre	Peligro de distorsión e incendio dentro del horno.
Bolsas de papel	Pueden incendiarse. Peligro de distorsión e incendio dentro del horno.
Materiales de espuma plástica	Debido al efecto del calor la espuma plástica puede derretirse y afectar la calidad del alimento.
Madera	La madera se seca durante la cocción y puede rajarse.

INSTALACIÓN DEL PLATO GIRATORIO



1. Nunca coloque el plato de vidrio con la parte de abajo hacia arriba. El plato de vidrio siempre debe girar libremente.
2. Nunca utilice el horno sin el aro conductor y el plato de vidrio.
3. Todos los alimentos y recipientes con alimentos deben ser colocados siempre sobre el plato de vidrio.
4. Si el plato de vidrio está rajado o el aro con rodillo está dañado, comuníquese con el centro autorizado de servicios más cercano.

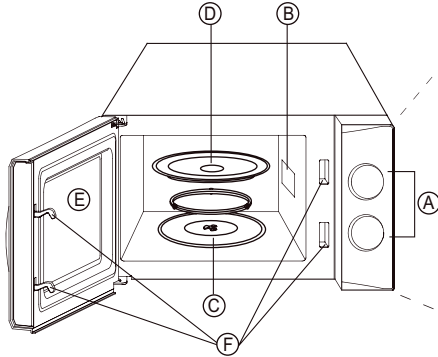
ARMADO DEL HORNO MICROONDAS

Nombres de las partes y accesorios del horno

Desempaque el horno y todos los accesorios.

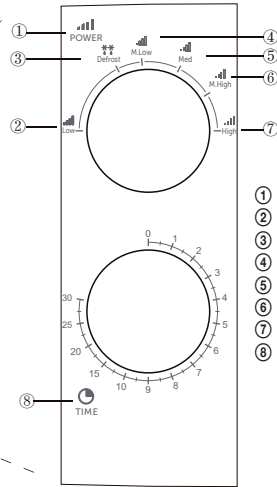
El horno es suministrado con los siguientes accesorios:

Plato de vidrio	1
Aro conductor ensamblado	1
Manual del usuario	1



- (A) Panel de control
- (B) Guía de ondas
- (C) Aro conductor ensamblado
- (D) Plato de vidrio

- (E) Ventana de visualización
- (F) Sistema de traba de seguridad
(Cortará la energía eléctrica si se abre la puerta durante la cocción).



- ① Potencia de salida
- ② Baja
- ③ Descongelar
- ④ Media baja
- ⑤ Media
- ⑥ Media alta
- ⑦ Alta
- ⑧ Temporizador (Min)

Español

INSTALACIÓN

Quite todo el material de empaque y saque todos los accesorios.

Controle que el horno no esté dañado de ninguna manera (puerta abollada o dañada, etc.). No instale el horno si está dañado.

Mesa de trabajo de la cocina

Cuerpo del horno: Saque todas las láminas protectoras de la superficie del horno.

No saque la lámina color marrón claro que está atornillada al interior del horno. Esta lámina protege el magnetrón del horno.

INSTALACIÓN

- Coloque el horno sobre una superficie uniforme, que garantice suficiente cantidad de espacio libre para el funcionamiento apropiado de las aberturas de ventilación.

La distancia entre el horno y la pared más cerca debe ser de al menos 7,5 cm.

Al menos uno de los costados debe estar libre.

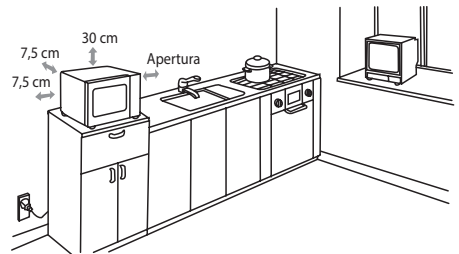
- Deje al menos 30 cm de espacio detrás del horno.
- No quite las patas del horno.
- No bloquee las aberturas de ventilación. Puede dañarse el horno.
- Coloque el horno lo más lejos posible de una señal de televisión o radio. El horno microondas puede interferir con una señal de televisión o radio.

- Conecte el horno a los tomacorrientes estándar. Asegúrese de que el voltaje especificado y el valor de frecuencia especificado en la etiqueta del horno cumpla con el valor de voltaje y frecuencia de los tomacorrientes.

PRECAUCIÓN: No instale el horno sobre la parte de arriba de la cocina ni cerca de la misma, ni tampoco cerca de otra fuente de radiación de calor. Colocar el horno cerca de una fuente de radiación de calor puede dañar el horno y anular la garantía.

El horno microondas está diseñado para ser utilizado en un espacio abierto y no debe ser colocado dentro de un gabinete.

Durante el funcionamiento, la superficie del horno podría estar caliente.



Panel de control y funciones

1. Configure la potencia de salida del horno haciendo girar el control (Power) a la posición apropiada.
2. Configure el tiempo de cocción girando el temporizador (Time) al intervalo requerido dependiendo del alimento que está siendo preparado (máx. 30 minutos).
3. Luego de configurar la potencia de salida y el tiempo el microondas comenzará a cocinar automáticamente.
4. Una vez que haya transcurrido el tiempo configurado, el horno se apagará solo.
5. Si no está utilizando el horno, deje el temporizador configurado en «0».

Nota: Para seleccionar el tiempo de cocción a menos de dos minutos, gire el control pasando la marca de dos minutos hasta el tiempo deseado.

Funciones	Potencia de salida	Aplicación
Baja	17 %	Ablande de helado
Descongelado	40 %	Descongelado
Media baja	48 %	Preparación de sopa, ablande de manteca
Media	66 %	Guisado de carne, pescado
Media alta	85 %	Arroz, pescado, pollo, carne molida
Alta	100 %	Calentar leche, hervir agua, vegetales, bebidas

SOLUCIÓN DE PROBLEMAS

Común	
El horno microondas interfiere con la recepción de la televisión.	Mientras está funcionando, el horno microondas puede interferir con la recepción de radio o televisión. Es un tipo similar de interferencia al de los artefactos eléctricos pequeños como batidoras, aspiradoras y ventiladores eléctricos.
La luz en el horno se atenúa.	Cuando utiliza una potencia de salida más baja la luz dentro del horno puede atenuarse.
El vapor se condensa en la puerta y sale aire caliente de las ventilaciones de aire.	Mientras cocina, sale vapor de los alimentos. La mayor parte de este saldrá por las aberturas de ventilación, pero una parte puede acumularse en un área más fría como por ejemplo la puerta. Esto es normal.
El horno se encendió accidentalmente estando vacío.	No debe encender el horno cuando esté vacío. Es muy peligroso.

Problema	Causa posible	Solución
No puede encender el horno.	(1) El cable de electricidad no está insertado firmemente en el tomacorriente.	Desconecte el cable a un tomacorriente. Luego de aproximadamente 10 segundos vuelva a insertar el cable de energía en el tomacorriente.
	(2) Se ha quemado un fusible o se ha disparado el disyuntor.	Cambie el fusible o encienda el disyuntor (reparado por un técnico en reparaciones de nuestra empresa).
	(3) Hay un problema con el enchufe de energía.	Trate de conectar un artefacto eléctrico diferente en el tomacorriente.
El horno no calienta.	(4) La puerta no está cerrada en forma apropiada.	Cierre bien la puerta.
El plato de vidrio hace ruido cuando el horno está funcionando.	(5) El aro debajo del plato o la parte inferior del horno están sucias.	Limpie el horno de acuerdo con las instrucciones en el capítulo «Limpieza».

INFORMACIÓN TÉCNICA

Capacidad:	20 l	Voltaje nominal:	230–240 V~ 50 Hz
Potencia de salida del microondas:	700 W	Potencia de entrada nominal:	1 200 W
Temporizador de minutos:	30 minutos	Frecuencia operativa:	2 450 MHz
Niveles de potencia disponibles:	6 niveles	Nivel de ruido:	55 dB
Plato giratorio:	Ø 245 mm		
Peso:	10,5 kg		
Dimensiones:	452 × 262 × 330 mm		
Dimensiones del espacio interior son:	315 × 198 × 297 mm		

USO Y ELIMINACIÓN DE LOS DESECHOS

Papel para envolver y cartón corrugado: entregar a una chatarrería. Plástico de embalaje, bolsas de polietileno, elementos plásticos: arrójelos en los recipientes para reciclaje de plásticos.

ELIMINACIÓN DE LOS PRODUCTOS AL FINAL DE SU VIDA ÚTIL

Eliminación de equipos eléctricos y electrónicos (válido en los países miembros de la Unión Europea y otros países europeos con un sistema implementado de reciclaje)

El símbolo representado en el producto o en el embalaje significa que el producto no será tratado como desecho doméstico. Entregue el producto en el sitio específico para reciclaje de equipos eléctricos y electrónicos. Evite los efectos negativos en la salud humana y en el medioambiente reciclando apropiadamente su producto.

El reciclaje contribuye a la preservación de los recursos naturales. Para más información acerca del reciclaje de este producto, consulte a su autoridad local, organización de procesamiento de desechos domésticos o en la tienda donde compró el producto.



08/05

Este producto cumple con los requisitos de la directiva de la UE acerca de la compatibilidad electromagnética y seguridad eléctrica.



Español

Se reservan cambios en el texto y parámetros técnicos.

CONSIGNES DE SECURITE

Lisez attentivement et conservez pour un usage futur !

Avertissement : les dispositions et consignes de sécurité figurant dans le présent manuel ne couvrent pas toutes les conditions et situations susceptibles de survenir. L'utilisateur doit comprendre que le bon sens, la prudence et le soin sont des facteurs ne pouvant être intégrés dans le produit. Ces facteurs sont donc à la charge de l'utilisateur/utilisatrice employant et entretenant cet appareil. Nous ne pouvons être tenus responsables des dommages apparus pendant le transport, un usage inadéquat, une variation de tension électrique ou la modification ou intervention sur l'une des parties de l'appareil.

Afin d'éviter le risque d'incendie ou d'électrocution, les précautions de base devraient toujours être respectées lors de l'utilisation d'appareils électriques, y compris les suivants :

1. Veillez à ce que la tension de votre prise électrique corresponde à la tension figurant sur la plaque signalétique de l'appareil et que votre prise soit correctement reliée à la terre. La prise doit être installée selon la norme électrotechnique EN en vigueur.
2. N'utilisez jamais le four si sa porte est endommagée, si le four ne fonctionne pas correctement ou si le câble d'alimentation est endommagé.

MISE EN GARDE : il est dangereux pour toute personne non formée de réaliser toute réparation ou entretien sur la machine, impliquant le retrait de caches assurant la protection contre les rayonnements micro-ondes. Confiez toute réparation ou réglage, y compris le remplacement du câble d'alimentation, à un service après-vente professionnel ! Avant la réparation, le câble d'alimentation doit être débranché de la prise. En retirant les caches de protection avec le câble d'alimentation branché, vous risquez d'exposer le technicien de maintenance au danger du rayonnement micro-ondes et de l'électrocution !

3. Protégez l'appareil de tout contact direct avec de l'eau et autres liquides pour éviter le risque d'électrocution. Ne plongez jamais le câble d'alimentation ou la fiche dans l'eau.
4. N'utilisez pas le four à micro-ondes à l'extérieur ou dans un environnement humide et ne touchez pas le câble d'alimentation ou l'appareil avec les mains mouillées. Risque d'électrocution.

5. Faites particulièrement attention si vous utilisez le four à proximité des enfants.
6. Le four à micro-ondes ne devrait pas être laissé en marche sans surveillance.
7. Nous recommandons de ne pas laisser le four sans surveillance avec le câble d'alimentation branché. Avant l'entretien, débranchez le câble d'alimentation de la prise électrique. Ne débranchez pas la fiche de la prise électrique en tirant sur le câble. Débranchez le câble de la prise électrique en saisissant la fiche.
8. N'utilisez pas le four à micro-ondes à proximité d'une source de chaleur, par exemple d'une plaque chauffante de la cuisinière. Protégez-le de la lumière directe du soleil.
9. Le câble d'alimentation ne doit pas être en contact avec des parties chaudes, ni passer sur des angles tranchants.
10. Pour limiter le risque d'incendie à l'intérieur du four, observez ce qui suit :
 - a) Ne surchauffez pas les aliments.
 - b) Avant de placer les sacs en papier ou en plastique dans le four, retirez leurs pinces de fermeture.
 - c) Ne chauffez pas d'huile ou de graisse pour la friture dans le four, car la température de l'huile ne peut pas être contrôlée. Ne faites pas frire les aliments dans le four. L'huile brûlante peut endommager certaines parties du four et les ustensiles de cuisine et peut également causer des brûlures.
 - d) Après utilisation, nettoyez la porte, les joints de la porte et l'intérieur du four avec un chiffon imbibé d'une solution de détergent doux et essuyez à sec. Cela permettra d'éliminer toutes les saletés, la graisse et les éventuels résidus de nourriture.

MISE EN GARDE : si la porte ou les joints de la porte sont endommagés, le four ne doit pas être utilisé jusqu'à sa réparation par une personne qualifiée. Le four devrait être nettoyé correctement et les éventuels restes d'aliments éliminés. Le fait de ne pas garder le four propre peut conduire à un endommagement de la surface, avec un effet négatif sur la durée de vie du produit et le risque d'apparition d'une situation dangereuse. Risque de surchauffe de la graisse accumulée pouvant entraîner l'apparition d'un incendie. Pour le nettoyage, n'utilisez jamais de produits abrasifs. L'appareil ne doit pas être nettoyé avec un nettoyeur vapeur.

- e) Si l'aliment traité à l'intérieur du four se met à fumer ou prend feu, gardez la porte du four fermée, éteignez le four et débranchez le câble d'alimentation de la prise afin d'éviter l'éventuelle propagation du feu.
- f) Dans le cas de l'utilisation de récipients jetables en plastique, papier ou autre matériaux inflammables, vous ne devez pas laisser le four sans surveillance, risque d'embrasement.

11. Limitez les risques d'explosion ou d'ébullition soudaine en observant ce qui suit :

MISE EN GARDE : les liquides et autres aliments ne doivent pas être chauffés dans des récipients fermés hermétiques, à cause du risque d'explosion. On compte parmi les récipients fermés également les biberons avec un bouchon à vis ou avec une tétine.

- a) Pour faire chauffer les liquides, utilisez un récipient à col large et après le chauffage, laissez-le reposer pendant 20 secondes afin d'empêcher son ébullition éruptive.
- b) Les œufs en coquille, les œufs entiers cuits durs, de l'eau contenant de la graisse ou de l'huile et les récipients en verre fermés ne doivent pas être chauffés au four à micro-ondes car ils risquent d'exploser, même après la fin du chauffage micro-ondes. Avant la préparation au four, épluchez ou percez la peau des pommes de terre, des saucisses ou des châtaignes.
- c) Le chauffage micro-ondes des boissons peut entraîner une ébullition différée, il faut le savoir lors de la manipulation du récipient.
- d) Le contenu des biberons et les aliments pour enfant doivent être mélangés ou secoués avant de servir, et il faut en vérifier la température au préalable, afin d'éviter les brûlures.

12. Après la fin de cuisson, les récipients sont très chauds. Pour les retirer du four, utilisez des gants de cuisine. Attention aux brûlures du visage et des mains causées par le contact avec de la vapeur brûlante.

13. Soulevez toujours lentement le bord le plus éloigné du couvercle ou du film alimentaire. Ouvrez les sacs de pop-corn et les sacs de cuisson à une distance suffisante de votre visage.

14. Pour ne pas casser le plateau tournant :

- a) Avant le nettoyage, laissez refroidir le plateau tournant.
- b) Ne posez aucun aliment ni récipient chaud sur le plateau tournant froid.
- c) Ne posez aucun aliment surgelé ni récipient froid sur le plateau tournant chaud.

15. Assurez-vous que les récipients ne touchent pas les parois intérieures du four lors de la cuisson.
16. Ne stockez pas d'aliments et d'autres objets à l'intérieur du four. Si le réseau électrique est frappé par la foudre, la mise en marche spontanée du four peut se produire.
17. N'utilisez pas le four à vide, sans aucun liquide ni aliment à l'intérieur. Vous pourriez ainsi endommager le four. Ne couvrez pas et n'obstruez pas les ouvertures d'aération du four.
18. N'utilisez jamais d'accessoires non recommandés par le fabricant ; le non-respect de cette consigne risque d'entraîner l'annulation de la garantie.
19. Utilisez le four à micro-ondes uniquement en respectant les instructions figurant dans le présent mode d'emploi. Ce four à micro-ondes est destiné à un usage exclusivement domestique. Le fabricant ne peut être tenu responsable de dommages causés par un usage incorrect de cet appareil.
20. Le four à micro-ondes est conçu pour faire chauffer les aliments et boissons. Le séchage des aliments ou des vêtements et le chauffage des coussins chauffants, des chaussons, des éponges de nettoyage, des tissus humides et d'autres objets semblables peut conduire à des risques de blessures, d'inflammation ou d'incendie.
21. Cet appareil est destiné à un usage domestique et dans des locaux similaires, comme :
 - les coins-cuisine dans les magasins, bureaux et autres lieux de travail
 - les appareils utilisés en exploitation agricole
 - les appareils utilisés par les clients des hôtels, motels et autres systèmes d'hébergement
 - les appareils utilisés dans les structures offrant l'hébergement avec petit déjeuner inclus.
22. Cet appareil peut être utilisé par les enfants de plus de 8 ans et par les personnes aux capacités physiques ou mentales réduites, ou sans expérience et connaissances suffisantes, si elles sont sous surveillance ou ont été formées à l'utilisation de l'appareil d'une manière sûre, et ont conscience des éventuels dangers en cas d'usage incorrect. Les enfants ne doivent pas jouer avec l'appareil. Le nettoyage et l'entretien à la charge de l'utilisateur ne doit pas être réalisé par les enfants âgés de moins de 8 ans et les enfants âgés de plus de 8 ans sans surveillance.

Ne vous exposez pas inutilement au rayonnement micro-ondes excessif

1. N'essayez pas de faire fonctionner le four à micro-ondes lorsque sa porte est ouverte. Vous pourriez ainsi vous exposer au rayonnement micro-ondes nocif. N'essayez pas d'altérer ou de tenir les verrous de sécurité de la porte du four.
2. N'insérez aucun objet étranger dans l'intervalle de la porte. Veillez à éviter la formation de dépôts de salissure ou de résidus de produits de nettoyage sur les joints d'étanchéité de la porte du four et sur les surfaces d'étanchéité.
3. N'essayez pas de faire fonctionner le four s'il est endommagé. Il est nécessaire que la porte du four ferme toujours parfaitement et ne soit aucunement endommagée.

Exemples de dommages dangereux à la porte :

- a) Porte du four ENFONCEE.
- b) CHARNIERES ou LOQUETS de fermeture de la porte desserrés ou cassés.
- c) JOINTS D'ETANCHEITE DE LA PORTE OU SURFACES D'ETANCHEITE DU CADRE FRONTAL DU FOUR.

Toute intervention ou réparation sur le four à micro-ondes doit être effectuée exclusivement par un technicien qualifié.

4. Comme avec la plupart des appareils destinés à la cuisson, une surveillance rigoureuse est nécessaire pour réduire le risque d'incendie à l'intérieur du four.

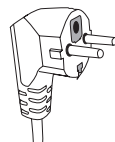
En cas d'incendie :

1. N'ouvrez pas la porte du four.
2. Éteignez le four et retirez la fiche de la prise.
3. Désactivez l'interrupteur principal d'alimentation électrique.

NETTOYAGE

Assurez-vous d'avoir débranché le four de l'alimentation électrique en retirant la fiche de la prise.

1. Pour le nettoyage à l'intérieur du four, utilisez un chiffon humide.
2. Nettoyez les accessoires de la manière habituelle à l'eau savonneuse.
3. Le cadre de la porte, les joints et les parties adjacentes encrassées doivent être nettoyés avec précaution avec un chiffon humide imbibé d'une solution détergente et puis essuyés à sec.



Le four doit être mis à la terre. La fiche du câble d'alimentation doit être branchée uniquement dans une prise correctement mise à la terre. En cas de doute quelconque concernant l'état correct des installations électriques ou lors des pannes du four, veuillez-vous adresser à un électricien qualifié ou un technicien du service après-vente.

1. Le four à micro-ondes est équipé d'un câble d'alimentation court pour réduire le risque de trébucher ou de s'emmêler.
2. Une longue rallonge doit répondre aux exigences suivantes :
 - a) Du point de vue de la charge électrique autorisée, les valeurs nominales des rallonges et de la prise électrique doivent correspondre aux valeurs nominales du four à micro-ondes.
 - b) Le câble de rallonge doit compter trois fils et la fiche et la prise doivent être munies d'un plot de mise à la terre.
 - c) Le câble d'alimentation doit être bien caché pour ne pas pendre inutilement sur le plan de travail de cuisine, pour éviter de trébucher dessus et pour ne pas le laisser à portée des enfants.

USTENSILES ET RECIPIENTS

AVERTISSEMENT

Risque de blessure

Utilisez uniquement des récipients destinés à être utilisés dans un four à micro-ondes. Les récipients fermés hermétiquement sont susceptibles d'exploser lors de la cuisson. Les récipients fermés doivent être ouverts avant la cuisson et les emballages en plastique préalablement percés, voir « Matériaux que vous pouvez ou ne devez pas utiliser dans le four à micro-ondes. »

Il existe certains matériaux non métalliques qui ne peuvent pas être utilisés en toute sécurité pour la cuisson dans un four à micro-ondes. Si vous n'êtes pas sûr si le matériau peut être utilisé en toute sécurité pour la cuisson au four à micro-ondes, procédez comme suit :



Surface chaude !

Test d'ustensiles de cuisine :

1. Remplissez le récipient destiné au four à micro-ondes avec de l'eau froide (250 ml).
2. Faites bouillir pendant 1 minute à la puissance maximale du four.
3. Vérifiez avec précaution la température du récipient testé. Si le récipient testé est chaud, ne l'utilisez pas pour la cuisson au four à micro-ondes.
4. **Ne faites pas bouillir plus de 1 minute.**

DANGER pour les enfants : les enfants ne doivent pas jouer avec les matériaux d'emballage. Ne laissez pas les enfants jouer avec les sacs en plastique. Risque d'étouffement.

Matériaux que vous pouvez utiliser dans le four à micro-ondes

Ustensiles de cuisson	Notes
Plateaux de cuisson	Suivez les consignes du fabricant. Le fond du plateau de cuisson doit être placé à au moins 5 mm au-dessus du plateau tournant. Une mauvaise manipulation peut provoquer la rupture du plateau tournant.
Assiettes	Utilisez uniquement les assiettes et la vaisselle destinées à être utilisées dans un four à micro-ondes. Suivez les consignes du fabricant. N'utilisez pas de plats cassés, ébréchés ou autrement endommagés.
Verres et pichets en verre	Otez toujours le couvercle d'étanchéité. Uniquement pour faire chauffer les aliments. Ne faites pas cuire ! La plupart des verres et des pichets en verre ne résistent pas à des températures élevées et peuvent se fissurer.
Plats à four en verre	Utilisez uniquement des plats à four en verre résistant aux températures élevées. Assurez-vous que le plat ne comporte pas de bords en métal ou d'autres accessoires métalliques. N'utilisez pas de plats cassés, ébréchés ou autrement endommagés.
Sacs de cuisson au four	Suivez les consignes du fabricant. N'utilisez pas de pinces de fermeture en métal. Laissez la fermeture du sac de cuisson entrouverte afin que la vapeur puisse s'échapper librement.
Plateaux en papier	Convient uniquement pour le chauffage ou la cuisson courte. Ne laissez jamais le four sans surveillance pendant la cuisson.
Serviettes en papier	Utilisez pour couvrir les aliments et pour absorber la graisse fondue. Utilisez uniquement pour la cuisson de courte durée. Ne laissez pas sans surveillance pendant la cuisson.
Papier de cuisson sulfurisé	Utilisez pour couvrir les aliments, pour envelopper les aliments lors de la préparation à l'étouffée et pour protéger le four contre les éclaboussures.
Matériaux plastiques	Utilisez uniquement les assiettes et la vaisselle destinées à être utilisées dans un four à micro-ondes. Suivez les consignes du fabricant. Un matériau plastique adapté pour une utilisation dans un four à micro-ondes doit avoir une désignation spécifique : « Convient pour les fours à micro-ondes. » Certains plastiques ramollissent suite à une exposition prolongée à des températures élevées. Les sachets et les sacs de cuisson doivent être coupés, percés ou autrement ventilés conformément aux instructions du fabricant.
Films alimentaires en plastique	Utilisez uniquement les assiettes et la vaisselle destinées à être utilisées dans un four à micro-ondes. Utilisez uniquement pour couvrir les aliments et pour maintenir l'humidité des plats pendant la cuisson. Veillez à ce que le film alimentaire en plastique ne touche pas le plat préparé.
Thermomètres	Utilisez uniquement les thermomètres conçus pour l'utilisation dans les fours à micro-ondes. (Thermomètres pour viande, pain et pâtisserie).
Papier ciré alimentaire	Utilisez pour couvrir les aliments, pour protéger le four contre les éclaboussures et pour maintenir l'humidité du plat pendant la cuisson.

Les matériaux qui ne peuvent pas être utilisés lors de la cuisson dans un four à micro-ondes

Ustensiles et outils de cuisson	Notes
Plateaux et plats à four en aluminium	Risque de déformation. Déplacez les aliments dans un récipient qui convient pour la cuisson au four à micro-ondes.
Boîtes alimentaires et boîtes en carton avec les poignées métalliques	Risque de déformation. Déplacez les aliments dans un récipient qui convient pour la cuisson au four à micro-ondes.
Ustensiles en métal et avec accessoires métalliques	Le métal empêche la pénétration de l'énergie micro-ondes. Le bord métallique peut se déformer.
Anneaux de fermeture en fil de fer	Risque de déformation et d'incendie à l'intérieur du four.
Sachets en papier	Risque d'inflammation. Risque d'incendie à l'intérieur du four.
Matériaux en mousse	Par l'exposition à des températures élevées, la mousse en plastique peut fondre et gâcher la nourriture.
Bois	Le bois se dessèche et peut éclater lors de la cuisson.

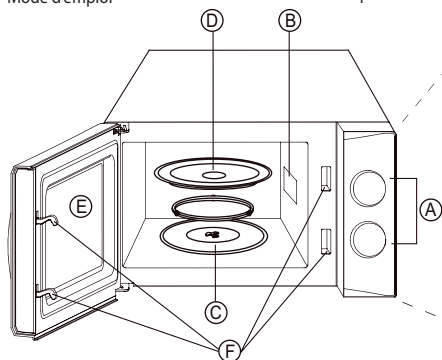
ASSEMBLAGE DU FOUR A MICRO-ONDES

Noms des composants et des accessoires du four

Retirez le four et tous les accessoires de l'emballage.

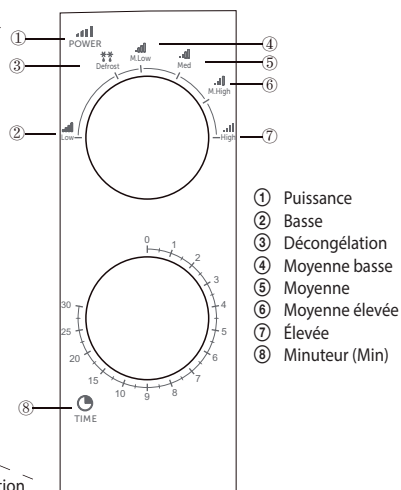
Le four est livré avec les accessoires suivants :

Plateau en verre	1
Entraîneur de plateau complété	1
Mode d'emploi	1



- (A) Panneau de commande
- (B) Guide d'ondes
- (C) Entraîneur de plateau complété
- (D) Plateau en verre

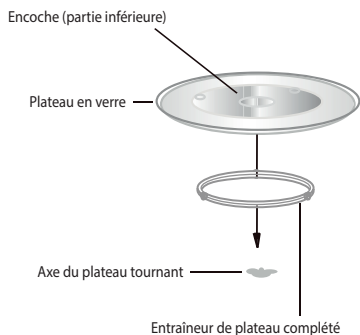
- (E) Fenêtre d'observation
- (F) Système de verrouillage de sécurité
(Stoppe l'alimentation en énergie électrique en cas d'ouverture de la porte pendant la cuisson.)



- ① Puissance
- ② Basse
- ③ Décongélation
- ④ Moyenne basse
- ⑤ Moyenne
- ⑥ Moyenne élevée
- ⑦ Élevée
- ⑧ Minuteur (Min)

Français

INSTALLATION DU PLATEAU TOURNANT



1. Ne placez jamais le plateau en verre à l'envers. Le plateau en verre doit toujours tourner librement.
2. N'utilisez pas le four sans l'entraîneur du plateau en verre.
3. Tous les aliments et les récipients doivent être toujours placés sur le plateau en verre.
4. En cas de fissure du plateau en verre ou d'endommagement de l'entraîneur de plateau, veuillez vous adresser au service après-vente agréé le plus proche.

INSTALLATION

Enlevez tous les matériaux d'emballage et retirez tous les accessoires.
Vérifiez que le four n'est pas endommagé (four cabossé ou porte endommagée, etc.). N'installez pas le four s'il est endommagé.

Plan de travail de cuisine

Corps du four : retirez tous les films de protection de la surface du four.
Ne retirez pas le film marron clair fixé à l'intérieur du four. Ce film protège le magnétron du four.

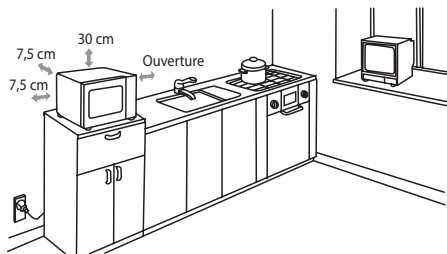
Installation

1. Placez le four sur une surface plane assurant suffisamment d'espace libre pour le fonctionnement correct des ouvertures d'aération.

La distance entre le four et le mur le plus proche doit être d'au moins 7,5 cm.

Au moins un côté doit rester libre.

- Laissez au moins 30 cm d'espace libre au-dessus du four.
 - Ne retirez aucun pied du four.
 - Ne bloquez pas les ouvertures d'aération. Le four risque d'être endommagé.
 - Placez le four le plus loin possible des postes de radio et de télévision. Le four à micro-ondes peut provoquer des interférences de signal TV et radio.
2. Branchez votre four au réseau électrique standard. Assurez-vous que la tension et la fréquence figurant sur la plaque signalétique du four correspondent à la tension et la fréquence dans le réseau.



AVERTISSEMENT : n'installez jamais le four au-dessus de la cuisinière ni à sa proximité ou à proximité d'une autre source de chaleur. L'installation du four à proximité d'une source de chaleur peut avoir pour conséquence l'endommagement du four et entraîner l'annulation de la garantie.

Le four à micro-ondes est destiné à un usage dans un espace libre et ne doit pas être placé dans une armoire.

Au cours du fonctionnement, la surface du four à micro-ondes peut devenir chaude.



Panneau de commande et fonctions

- Réglez la puissance du four en tournant la molette (Power) au niveau requis.
- Réglez la durée de cuisson en tournant la molette de temps (Time) à l'intervalle requis, en fonction du plat préparé (max. 30 minutes).
- Après le réglage de la puissance et du temps, le four à micro-ondes lance automatiquement la cuisson.
- Une fois la durée de cuisson réglée écoulee, le four s'arrête.
- Lorsque vous n'utilisez pas le four, laissez la molette de temps sur « 0 ».

Note : Lors de la sélection d'une durée de cuisson inférieure à deux minutes, tournez la molette au-delà de 2 minutes, puis ramenez-la dans la position demandée.

Fonction	Puissance	Utilisation
Low (Basse)	17 %	Ramollissement de la glace
Defrost (Décongélation)	40 %	Décongélation
M. Low (Moyenne basse)	48 %	Préparation de la soupe, ramollissement du beurre
Med (Moyenne)	66 %	Cuisson de la viande et du poisson à l'étouffée
M. High (Moyenne élevée)	85 %	Riz, poisson, poulet, viande hachée
High (Élevée)	100 %	Chauffage, lait, ébullition de l'eau, légumes, boissons

PROBLÈMES ET SOLUTIONS

Courants	
Le four à micro-ondes interfère avec la réception TV.	Le four à micro-ondes peut causer des interférences sur la réception de la radio ou du téléviseur. Ces interférences sont semblables à celles produites par d'autres petits appareils électroménagers, tels que mixer, aspirateur ou ventilateur électrique.
La lumière dans le four baisse en intensité.	Lors de l'utilisation d'une puissance micro-ondes inférieure, la lumière dans le four peut diminuer.
De la vapeur s'accumule sur la porte et de l'air chaud s'échappe par les ouvertures d'aération.	Lors de la cuisson, de la vapeur peut s'échapper des aliments. La plus grande quantité s'échappe par les ouvertures d'aération, mais une partie peut s'accumuler sur une surface plus froide comme la porte du four. C'est un phénomène normal.
Le four a été accidentellement mis en marche à vide.	Le four ne doit pas être mis en marche à vide. C'est très dangereux.

Problème	Cause possible	Remède
Il est impossible de mettre le four en marche.	(1) Le câble d'alimentation n'est pas correctement branché dans la prise.	Débranchez le câble d'alimentation de la prise. Au bout de 10 secondes environ, branchez le câble de nouveau dans la prise.
	(2) Fusible fondu ou disjoncteur sauté.	Remplacez le fusible ou relancez le disjoncteur (assuré par le technicien du service après-vente de notre société).
	(3) Problème avec la prise électrique.	Essayez de brancher un autre appareil électrique dans la prise.
Le four ne chauffe pas.	(4) La porte n'est pas correctement fermée.	Fermez bien la porte.
Le plateau en verre fait du bruit lorsque le four est en marche.	(5) Le support tournant ou le fond du four sont sales.	Nettoyez le four selon les instructions du chapitre « Nettoyage ».

DONNEES TECHNIQUES

Volume :	20 l	Tension nominale :	230–240 V~ 50 Hz
Puissance micro-ondes :	700 W	Puissance nominale :	1 200 W
Minuteur :	30 minutes	Fréquence nominale :	2 450 MHz
Réglage de la puissance :	6 niveaux	Niveau sonore :	55 dB
Plateau tournant :	Ø 245 mm		
Poids :	10,5 kg		
Dimensions :	452 × 262 × 330 mm		
Dimensions de l'espace intérieur :	315 × 198 × 297 mm		

RECYCLAGE ET ELIMINATION DES DECHETS

Papier d'emballage et carton ondulé – remettre dans les conteneurs de collecte de papiers. Film d'emballage, sacs PE, pièces en plastique – dans les conteneurs de collecte de plastique.

ELIMINATION DU PRODUIT A LA FIN DE SA DUREE DE VIE

Liquidation des équipements électriques et électroniques usagés (en vigueur dans les pays membres de l'Union européenne et les autres pays européens disposant d'un système de tri des déchets)

Le symbole figurant sur le produit ou l'emballage signifie que le produit ne doit pas être traité comme une ordures ménagère courante. Remettez le produit à un lieu de collecte prévu pour le recyclage des équipements électriques et électroniques. Une élimination correcte du produit évite des impacts négatifs sur la santé humaine et l'environnement. Le recyclage des matériaux contribue à la protection de l'environnement. Pour plus d'informations sur le recyclage de ce produit, adressez-vous à la mairie, aux centres de traitement des déchets ménagers ou au point de vente où vous avez acheté le produit.



08/05

Ce produit est conforme aux directives européennes relatives à la compatibilité électromagnétique et à la sécurité électrique.

Nous nous réservons le droit de modifier le texte et les paramètres techniques.



SIGURNOSNE UPUTE

Pročitajte pažljivo i sačuvajte za buduću uporabu!

Pozor: Mjere opreza i upute ne pokrivaju sve moguće uvjete i opasnosti do kojih može doći. Korisnik treba biti svjestan da faktore sigurnosti kao što su oprezno, brižno i razumno rukovanje nije moguće ugraditi u proizvod. Zbog toga sâm korisnik ovog uređaja treba osigurati prisutnost tih sigurnosnih faktora. Nismo odgovorni za štete nastale prijevozom, nepravilnim korištenjem, promjenama napona te modificiranjem ili zamjenom bilo kojeg dijela uređaja.

Kako ne bi došlo do požara ili ozljede od udara električne struje, pri korištenju električnih uređaja uvijek se trebaju poštovati temeljne sigurnosne upute među kojima su i sljedeće:

1. Provjerite odgovara li napon struje na vašoj utičnici onome koji je naveden na pločici vašeg uređaja, te je li utičnica pravilno uzemljena. Utičnica mora biti ugrađena prema zahtjevima elektrotehničkih normi.
2. Pećnicu nikada nemojte koristiti ako su oštećena vrata, ne radi ispravno ili je oštećen kabel za napajanje.

POZOR: Svaki popravak ili održavanje koje u sebi uključuje uklanjanje bilo kojeg od poklopaca koji štite od mikrovalnog zračenja predstavlja opasnost ako ga ne izvede posebno obučena osoba. Bilo kakav popravak ili podešavanje uređaja, u što ulazi i zamjena kabela, mora biti povjerena stručnom servisu! Prije popravka kabel napajanja mora biti odvojen od mreže. Bude li poklopac demontiran, nakon spajanja na električnu mrežu može doći do izlaganja servisera opasnosti od strujnog udara ili energije mikrovalova.

3. Uređaj zaštitite od doticaja s vodom ili drugim tekućinama kako ne bi došlo do električnog udara. Ne uranjajte ni napojni kabel niti utičnicu u vodu!
4. Mikrovalnu pećnicu nemojte koristiti na otvorenom, kao ni u vlažnim prostorima; ne dotičite kabel za napajanje niti uređaj mokrim rukama. Postoji opasnost od električnog udara.
5. Budite posebno pažljivi nalaze li se djeca u blizini dok koristite pećnicu.
6. Mikrovalna pećnica ne smije biti ostavljena da radi bez nadzora.
7. Preporučujemo da pećnicu ne ostavljate s napojnim kabelom uključenim u struju. Prije bilo kakvog zahvata održavanja, isključite napajanje iz mreže. Ne izvlačite utikač iz utičnice povlačenjem za kabel. Kabel odspojite iz mreže tako što ćete primiti utikač i izvući ga.

8. Mikrovalnu pećnicu nemojte koristiti u blizini izvora topline, kao što su grijalice ili peći na drva. Držite je podalje od izravne sunčeve svjetlosti.
9. Kabel se mora pružati tako da ne dolazi u dodir s vrućim predmetima i da ne prolazi duž oštih rubova.
10. Opasnost od nastanka požara u unutrašnjosti pećnice spriječiti ćete ovako:
 - a) Nemojte previše peći jela.
 - b) Prije nego u pećnicu stavite papirnate ili plastične vrećice, izvadite spajalice iz njih.
 - c) Ne zagrijavajte ulje ili mast za kuhanje u pećnici, jer se temperatura ulja ne može kontrolirati. Nemojte pržiti hranu u pećnici. Vruće ulje može oštetiti dijelove pećnice i suđe, te uzrokovati opekline.
 - d) Nakon korištenja prebrišite vrata, brtvu vrata i unutrašnji prostor pećnice koristeći krpu navlaženu sapunicom, a zatim posušite brisanjem. Tako ćete ukloniti nečistoće i masnoće, te moguće ostatke hrane.

POZOR: Ako su vrata ili brtve oštećeni, pećnicu ne smijete koristiti sve dok je ne popravi osoba obučena za to. Pećnicu je potrebno pravilno čistiti i uklanjati eventualne ostatke hrane. Neodržavanje čistoće pećnice može prouzročiti oštećenje njezine površine, a to bi dovelo do trajnog oštećenja uređaja i bilo izvor opasnosti. Nakupine masti mogu se pregrijati i to može dovesti do požara. Nemojte koristiti abrazivna sredstva za čišćenje. Uređaj se ne smije čistiti parnim čistačem.

- e) Ako se tijekom pripreme hrane iz pećnicu počne dimiti ili dođe do gorenja, otvorite vrata pećnice, isključite pećnicu i isključite napajanje iz utičnice kako biste spriječili širenje nastalog gorenja.
 - f) Koristite li jednokratne posude od papira, plastike ili drugih zapaljivih materijala, pećnicu ne smijete ostaviti bez nadzora kako ne bi došlo do značajnih oštećenja.
11. Opasnost od eksplozije i iznenadnog vrenja uklonit ćete ovako:

POZOR: Tekućine i druge namirnice ne smiju biti zagrijavane u hermetički zatvorenim posudama jer bi tako mogle eksplodirati. Pod zatvorenim posudama podrazumijevamo i dječje bočice ili dude varalice.

- a) Za zagrijavanje tekućina koristite posude sa širokim otvorom i nakon zagrijavanja ih ostavite da stoje 20 sekundi kako ne bi došlo do eruptivnog vrenja.
- b) U mikrovalnoj pećnici ne smiju se zagrijavati jaja u ljusci, tvrdo kuhana jaja, te voda s masnoćama i zatvorene staklene posude zbog toga što bi

moglo doći do njihove eksplozije, čak i nakon što zagrijavanje prestane. Krumpire, kobasice i kestenje prije stavljanja u pećnicu trebate prerezati ili probosti.

- c) Kod tekućina zagrijavanih mikrovalovima može doći do naknadnog vrenja i to je potrebno uzeti u obzir pri rukovanju.
- d) Zagrijane bočice i dječju hranu obavezno je prije konzumacije protresti ili promiješati i provjeriti njihovu temperaturu kako bi se spriječile opekline.

12. Nakon zagrijavanja u mikrovalnoj pećnici posude su vrlo vruće. Koristite rukavice kod vađenja. Pazite da ne dođe do opeklina lica i ruku pri kontaktu s vrućom parom.

13. Kad otvarate poklopac ili skidate foliju s ambalaže, uvijek počnite otvaranje na suprotnoj strani i smjeru suprotnom od sebe. Vrećice s kokicama i vrećice za pečenje otvarajte na sigurnoj udaljenosti od lica.

14. Kako biste okretnicu zaštitili od razbijanja:

- a) Pustite okretnicu da se ohladi prije nego je čistite.
- b) Nemojte na hladnu okretnicu stavljati nikakvu vruću hranu ili posude.
- c) Nemojte na vruću okretnicu stavljati nikakvu zamrznutu hranu ili hladne posude.

15. Provjerite da ni jedan predmet ne dotiče unutrašnje stijenke pećnice tijekom rada.

16. Nemojte odlagati nikakvu hranu ni predmete u pećnicu. Bude li kućna strujna instalacija pod djelovanjem udara groma, može se dogoditi da se pećnica sama uključi.

17. Pećnicu nemojte koristiti kad u njoj nema nikakve tekućine niti namirnica. To bi je moglo oštetiti. Nemojte zatvarati ni prigušivati otvor za ventilaciju pećnice.

18. Nemojte koristiti pribor kojeg nije preporučio proizvođač. U suprotnom izgubit ćete prava na jamstvo.

19. Mikrovalnu pećnicu koristite samo na način propisan ovom uputom. Mikrovalna pećnica namijenjena je samo za kućnu uporabu. Proizvođač nije odgovoran za štetu nastalu uslijed nepravilnog korištenja ovog uređaja.

20. Mikrovalna pećnica izrađena je kako bi služila za zagrijavanje hrane i pića. Sušenje hrane ili odjeće, zagrijavanje jastuka, papuča, spužvi, mokre odjeće i sličnih predmeta može dovesti do opasnosti od ozljede, izbijanja plamena ili požara.

21. Ovaj proizvod namijenjen je za korištenje u kućanstvu i u kućanstvu sličnim prostorima kao što su:

- kuhinje u tvrtkama, uredima i u drugim sličnim radnim okružjima
- prostorije u poljoprivredi
- uređaji na raspolaganju gostima hotela, motela i drugih smještajnih objekata
- prostorije koje koji se koriste u objektima koji nude noćenje s doručkom.

22. Djeca starosti od 8 godina i više, osobe smanjenih fizičkih ili umnih sposobnosti ili osobe s nedostatkom iskustva smiju koristiti ovaj uređaj samo ako su pod nadzorom ili ih je iskusnija osoba uputila u korištenje na siguran način i razumiju sve opasnosti koje su povezane s nepravilnim korištenjem. Djeca se ne smiju igrati ovim uređajem. Poslove čišćenja i održavanja koje obavlja korisnik ne smiju raditi djeca osim ako su starija od 8 godina i pod nadzorom.

Ne izlažite se nepotrebno pretjeranim količinama mikrovalnog zračenja

1. Nemojte pokušati uključiti pećnicu kojoj su vrata otvorena. Tako biste se mogli izložiti mikrovalnim zrakama. Nemojte pokušati onemogućiti ili pokvariti sigurnosnu bravicu na vratima pećnice.
2. U vrata pećnice ne stavljajte ni jedan strani predmet. Provjerite jesu li brtva vrata pećnice i površina na koju ona naliježe čisti i da nema ostataka sredstva za čišćenje.
3. Nemojte pokušavati uključiti neispravnu pećnicu. Nužno je da vrata pećnice nakon zatvaranja potpuno prijanjaju i da nisu oštećena.

Primjeri opasnih oštećenja vrata:

- a) ULUBLJENA vrata pećnice.
- b) Nedovoljno pritegnute ŠARKE i OSOVINE šarki vrata.
- c) BRTVA VRATA PEĆNICE I PLOHA KUĆIŠTA NA KOJU BRTVA NALIJEŽE.

Pećnicu smije podešavati ili popravljati samo kvalificirani tehničar.

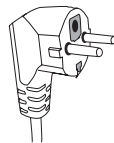
4. Kao i kod većine drugih proizvoda koji služe za pečenje, potreban je stalni nadzor kako ne bi došlo do požara.

Dođe li do požara:

1. Ne otvarajte vrata pećnice.
2. Isključite pećnicu i isključite kabel za napajanje iz utičnice.
3. Isključite glavni prekidač kućnog razvoda električne energije.

ČIŠĆENJE

Provjerite je li pećnica isključena iz napajanja tako što je utikač isključen iz utičnice.



1. Vlažnom krpom obrišite unutrašnjost pećnice.
2. Pribor očistite uobičajenim načinom, pranjem pomoću sredstva za čišćenje.
3. Zaprljani okvir vrata, brtva i susjedni dijelovi moraju se čistiti oprezno vlažnom krpom umočenom u otopinu sredstva za čišćenje, a zatim prebrisati dok ne budu suhi.

Pećnica mora biti uzemljena. Kabel za napajanje smije biti uključen samo u utičnicu koja ima ugrađeno ispravno uzemljenje. Budete li u bilo kakvoj nedoumici u pogledu ispravnosti vaše električne instalacije ili u slučajevima kada pećnica ne radi ispravno, obratite se svakako kvalificiranom električaru ili tehničaru za servisiranje ovakvog uređaja.

1. Mikrovalna pećnica opremljena je kratkim kabelom za napajanje kako bi se smanjila mogućnost rizika od spoticanja ili zapetljanja.
2. Dugi produžni kabel mora zadovoljavati sljedeće uvjete:
 - a) U pogledu dopuštenog električnog opterećenja, nazivni kapacitet produžnog kabela i utičnice mora odgovarati nazivnim veličinama mikrovalne pećnice.
 - b) Produžni kabel mora biti trožilni, a utikač i utičnica moraju biti opremljeni kontaktom za uzemljenje.
 - c) Kabel treba biti dobro položen, ne smije nepotrebno ležati na radnoj površini i pružati se preko kuhinjskog namještaja kako djeca ne bi mogla zapeti za njega ili ga povlačiti.

POSUDE I TANJURI

UPOZORENJE

Opasnost od ozljede

Koristite samo posude koje su prikladne za uporabu u mikrovalnoj pećnici. Čvrsto zatvorene posude mogu eksplodirati kad ih zagrijavate. Zatvorene posude nužno je otvoriti prije kuhanja, a u slučaju plastične ambalaže potrebno je na ambalaži probiti rupice. Potrebno je provjeriti jesu li posude od materijala koji smiju biti zagrijavani u mikrovalnim pećnicama. Postoje određeni materijali od nemetala koji ne smiju biti korišteni u mikrovalnim pećnicama. Ako niste sigurni može li se ili ne može neki materijal koristiti u mikrovalnim pećnicama, učinite sljedeće:

Ispitivanje kuhinjskog posuđa:

1. Nalijte 250 ml hladne vode u posudu koju namjeravate koristiti za kuhanje u mikrovalnoj pećnici.
2. Zagrijavajte vodu tijekom 1 minute na najvećoj snazi pećnice.
3. Oprezno provjerite toplinu ispitivane posude. Ako je posuda topla, nemojte je koristiti za kuhanje u mikrovalnoj pećnici.
4. **Nemojte kuhati više od 1 minute.**

OPASNOSTI po djecu: Djeca se ne smiju igrati ambalažnim materijalom. Nemojte dopustiti djeci da se igraju plastičnim vrećicama. Postoji opasnost od gušenja.



Vruća površina!

Materijali koje možete koristiti u mikrovalnoj pećnici

Posude	Napomena
Ploča za pečenje	Slijedite uputama proizvođača posude. Dno posude mora biti najmanje 5 mm udaljeno od staklenog tanjura. Nepravilno korištenje može prouzročiti pucanje tanjura.
Tanjuri	Koristite samo one koji su namijenjeni za korištenje u mikrovalnoj pećnici. Slijedite upute proizvođača. Ne koristite puknute tanjure.
Staklene posude	Ako imaju poklopac, morate ga ukloniti. Koristite ih samo za zagrijavanje hrane. Većina stakla nije otporno na toplinu i mogu puknuti.
Vrećice za pečenje	Slijedite upute proizvođača. Ne zatvarajte metalne kopče. Pustite mjesto kako bi para mogla izlaziti.
Papirnati tanjuri	Koristite samo kratko vrijeme i ne ostavljajte mikrovalnu pećnicu bez nadzora.
Papirnati ručnici	Za pokrivanje hrane tijekom sušenja i upijanja viška masnoće. Koristite samo kratko vrijeme uz nadzor.
Papir za pečenje	Za korištenje za sprečavanje prskanja, za pakiranje hrane za vrijeme kuhanja.
Plastika	Koristite samo one koje su namijenjene za upotrebu u mikrovalnoj pećnici. Slijedite upute proizvođača. Takve folije su označene s „Microwave safe“ ili „Za upotrebu u mikrovalnoj pećnici“. Neke posude mogu omekšati tijekom zagrijavanja. Bitno je vrećice za kuhanje izbosti ili izrezati prije zagrijavanja u skladu s uputama proizvođača.
Plastična folija	Koristite samo one koje su namijenjene za upotrebu u mikrovalnoj pećnici. Folija ne smije doći u dodir s hranom.
Termometri	Koristite samo one koje su namijenjene za upotrebu u mikrovalnoj pećnici (za meso i kruh).
Masni papir	Koristite za očuvanje vlage ili sprječavanja prskanja.

Materijali koje ne smijete koristiti u mikrovalnoj pećnici

Pribor	Napomena
Aluminijske šalice i tanjure kao i aluminijski lim	Postoji opasnost od savijanja. Stavite hranu na odgovarajući način za kuhanje u prikladnu posudu
Hrana i kutija s metalom	Postoji opasnost od savijanja. Stavite hranu na odgovarajući način za kuhanje u prikladnu posudu

Pribor**Napomena**

Metalne posude i posude s metalnim dodacima	Metal sprječava upad mikrovalne energije. Može se saviti.
Metalne žice i spjalice	Postoji opasnost od savijanja i požara u mikrovalnoj pećnici.
Papirnate vrećice	Mogu prouzročiti požar u mikrovalnoj pećnici.
Stiropor	Može se rastopiti i kontaminirati hranu.
Drvo	Drvo može puknuti ili raspuknuti se nakon što se nakon zagrijavanja ohladi.

MONTAŽA OKRETNOG TANJURA

1. Nikada ne stavljajte stakleni tanjur naopako. Stakleni tanjur se uvijek mora slobodno kretati.
2. Nikada ne koristite mikrovalnu pećnicu bez tanjura i obruča.
3. Hranu uvijek postavite na stakleni tanjur.
4. Ako dođe do pucanja staklenog tanjura ili oštećenja obruča, obratite se ovlaštenom servisnom centru.

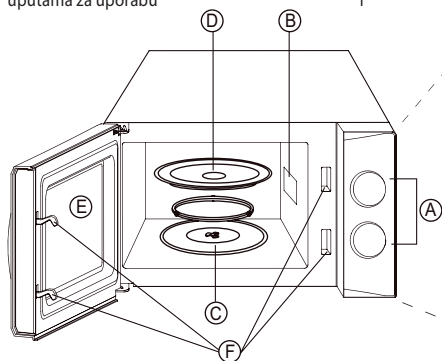
POSTAVLJANJE**Dijelovi i dodaci**

Uklonite svu ambalažu s i unutar mikrovalne.

Mikrovalna se isporučuje s:

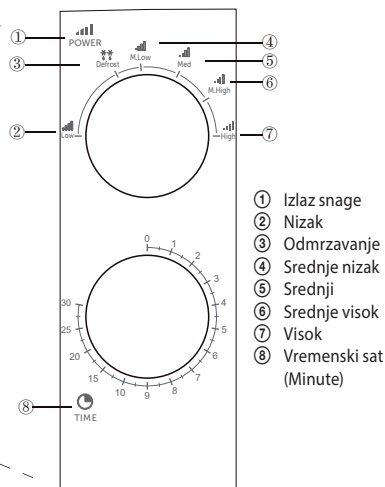
staklenim tanjurom
nosaćem
uputama za uporabu

1
1
1



- A Kontrolna ploča
- B Kontrola mikrovalova
- C Sastavljen ležaj tanjura
- D Stakleni tanjur

- E Prozor za gledanje
- F Sigurnosni sustav za zaključavanje
(Isključiti će dovod energije ako su vrata otvorena.)



- 1 Izlaz snage
- 2 Nizak
- 3 Odmrzavanje
- 4 Srednje nizak
- 5 Srednji
- 6 Srednje visok
- 7 Visok
- 8 Vremenski sat (Minute)

INSTALACIJA

Provjerite jeli uređaj oštećen. Ne postavljate oštećen uređaj. Uklonite svu zaštitnu foliju s uređaja. Ne uklanjajte svijetlo smeđi pokrov magnetrona u unutrašnjosti.

Kuhinjska radna ploha

Kućište pećnice: skinite s površine pećnice svu zaštitnu foliju.

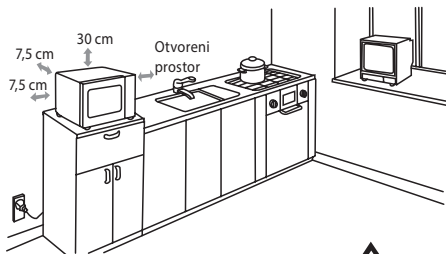
Nemojte ukloniti svijetlo smeđu foliju koja je pričvršćena za unutrašnjost pećnice. Ta folija štiti pećnicu od njezinog vlastitog magnetrona.

Instalacija

1. Odaberite horizontalnu površinu gdje će biti dovoljno mjesta za rad cirkulaciju zraka.

Mikrovalna bi trebala biti bar 7,5 cm udaljena od okolnih objekata. Jedna strana mora biti otvorena i slobodna.

- a) Ostavite bar 30 cm slobodno iznad mikrovalne.
 - b) Ne uklanjajte nožice ispod mikrovalne.
 - c) Blokiranje ventilacijskog otvora može uzrokovati kvar.
 - d) Stavite uređaj što dalje od TV i radio prijemnika jer mikrovalovi mogu ometati njihov rad.
2. Uključite naponski kabel u utičnicu. Provjerite da napon i jakost struje odgovara podacima navedenim na naljepnici uređaja.



UPOZORENJE! Ne postavljajte mikrovalnu na ploču štednjaka ili iznad njega ili bilo kojih sličnih grijaćih površina/uređaja. U protivnom proizvođač ne priznaje garanciju.

Mikrovalna pećnica je dizajnirana za otvoren prostor i ne smije biti postavljena u ormarić.

Za vrijeme operacije površina mikrovalne pećnice može biti vruća.



FUNKCIJE

Upute za uporabu

Stavite hranu na rotirajući tanjur i zatvorite vrata.

1. Podesite jačinu zagrijavanja okrećući gumb
2. Podesite vrijeme zagrijavanja okrećući tajmer. Kod odmrzavanja podesite vrijeme prema težini hrane (DEFROST (KG))
3. Mikrovalna automatski počinje s radom kada se podese vrijeme i jakost.
4. Kada istekne vrijeme oglasit će se zvučni signal i mikrovalna će prestati raditi.
5. Uvijek postavite tajmer u poziciju 0 kada mikrovalna nije u uporabi.

Napomena: Da biste odredili vrijeme kuhanja u trajanju manjem od dvije minute, okrećite gumb dok ne prođe oznaku od 2 minute i vratite je na željenu vrijednost.

Funkcije	Snaga	Namjena
Low (Slabo)	17 %	Omekšavanje sladoleda
Defrost (Odmrzavanje)	40 %	Odmrzavanje
M. Low (S. slabo)	48 %	Priprema juhe, omekšavanje maslaca
Med (Srednje)	66 %	Kuhanje mesa i ribe
M. High (S. jako)	85 %	Riža, riba, piletina, mljeveno meso
High (Jako)	100 %	Zagrijavanje, mlijeko, povrće, napici

Napomena: kod vađenja hrane iz mikrovalne provjerite da je ona ugašena (postavite tajmer u poziciju 0). U protivnom nakon zatvaranja vrata proces zagrijavanja će ponovno započeti, što može dovesti do oštećenja megatrona.

OTKLANJANJE PROBLEMA

Pojašnjenje	
Mikrovalna ometa rad TV prijemnika.	Rad mikrovalne može ometati radi radio, TV i bežičnih prijemnika. Slično je i sa ostalim malim kućanskim uređajima poput miksera, sušila za kosu i usisavača. Ovo je normalno.
Svijetlo u mikrovalnoj je preslabo.	Kada je odabrana slaba jakost zagrijavanja svjetlo može biti slabije i može treptati. Ovo je normalno.
Para se kondenzira na vratima, a vruć zrak izlazi kroz ventilacijske otvore.	Hrana tijekom zagrijavanja proizvodi paru. Većina pare izlazi kroz ventilacijske otvore. Dio pare može kondenzirati na hladnije površine poput stakla na vratima. Ovo je normalno.

Pojašnjenje

Mikrovalna je greškom pokrenuta prazna.

Zabranjeno je pokrenuti uređaj prazan, bez hrane. Ovo je vrlo opasno.

Problem	Moguć uzrok	Popravci
Uređaj se ne može pokrenuti.	(1) Uređaj nije ispravno priključen.	Izvučite naponski kabel, pričekajte 10 sekundi.
	(2) Osigurač je iskočio ili je oštećen naponski kabel.	Provjerite osigurač i kabel, možda ga treba zamijeniti.
	(3) Pad el. mreže.	Priključite neki drugi el. uređaj da provjerite ima li struje.
Uređaj ne grije.	(4) Vrata nisu potpuno zatvorena.	Zatvorite vrata.
Rotirajući tanjur je glasan.	(5) Ležaj (prsten) i nosač su prljavi.	Očistite mikrovalnu prema uputama za čišćenje.

TEHNIČKI PODACI

Kapacitet 20l

Izlazna snaga 700 W

30 minutni vremenski sat

Funkcija odležavanja

6 nivoa jačine zagrijavanja

Rotirajući tanjur promjera 245 mm

Dimenzije: 452 × 262 × 330 mm (š × v × d)

Unutrašnje dimenzije: 315 × 198 × 297 mm

Nominalni napon: 230–240 V~ 50 Hz

Nominalna ulazna snaga: 1200 W

Nivo buke: 55 dB

Težina: 10,5 kg

Frekvencija: 2450 MHz

UPORABA I ODLAGANJE OTPADA

Papir i karton dostaviti deponiji. Foliju ambalaže, PE vrećice, plastične elemente odložiti u plastične kontejnere za recikliranje.

ZBRINJAVANJE PROIZVODA PO ISTEKU VIJEKA TRAJANJA

Zbrinjavanje električne i elektronske opreme (vrijedi za zemlje članice EU i druge europske zemlje koje provode sustav recikliranja).

Simbol na proizvodu ili ambalaži znači da se proizvod ne smije tretirati kao komunalni otpad. Predati proizvod lokaciji namijenjenoj za recikliranje električne i elektronske opreme. Spriječite negativni utjecaj po ljudsko zdravlje i okolinu pravilnim recikliranjem proizvoda. Recikliranje pridonosi očuvanju prirodnih resursa. Za više informacija o recikliranju ovog proizvoda obratite se lokalnim vlastima, organizacijama ili trgovini gdje ste proizvod kupili.

Ovaj proizvod je u skladu s EU zahtjevima o elektromagnetskoj kompatibilnosti i električnoj sigurnosti.

Upute za uporabu dostupne su na web stranici www.ecg-electro.eu.

Zadržavamo pravo na izmjenu teksta i tehničkih parametara.



08/05



ISTRUZIONI DI SICUREZZA

Leggere attentamente e conservare per uso futuro!

Attenzione: Le misure di sicurezza e le istruzioni contenute in questo manuale non includono tutte le condizioni e situazioni possibili. È compito dell'utente comprendere che il buon senso, la prudenza e la cura sono dei fattori esterni ad ogni prodotto. Pertanto, questi fattori dovranno essere assicurati dall'utente/dagli utenti che utilizzano e fanno funzionare questo apparecchio. Il produttore non potrà essere ritenuto responsabile per danni che si verificano durante la spedizione, l'utilizzo improprio, il cambiamento o la regolazione di qualsiasi parte dell'apparecchio.

Per la protezione contro il rischio di incendi o scosse elettriche, è necessario prendere le precauzioni di base durante l'utilizzo dell'apparecchiatura elettrica, tra cui:

1. Assicurarsi che la tensione nella presa corrisponda alla tensione sull'etichetta del dispositivo e che la presa sia messa a terra in modo adeguato. La presa deve essere installata in conformità con le norme elettriche applicabili secondo la normativa EN.
2. Non utilizzare mai il forno se la porta è danneggiata, se il forno non funziona correttamente o se il cavo di alimentazione è danneggiato.

AVVERTENZA: È pericoloso per chiunque non sia stato adeguatamente formato eseguire eventuali riparazioni o manutenzione che richiedano la rimozione di qualsiasi copertura che assicura la protezione da radiazioni a microonde. Tutte le riparazioni e regolazioni, compresa la sostituzione del cavo, devono essere eseguite da un centro di assistenza professionale! L'alimentazione AV deve essere scollegata prima di qualsiasi intervento di riparazione. La rimozione della copertura con il cavo collegato può causare l'esposizione del tecnico dell'assistenza ad energia a microonde o scosse elettriche!

3. Proteggere l'apparecchio da un contatto diretto con l'acqua o con altri liquidi per evitare scosse elettriche. Non immergere il cavo o la spina in acqua!
4. Non utilizzare il forno a microonde all'aperto o in un ambiente umido e non toccare il cavo di alimentazione o l'apparecchio con le mani bagnate. Pericolo di scosse elettriche.

5. È necessaria un'attenta supervisione in caso di funzionamento del forno a microonde vicino ai bambini!
6. Non lasciare il forno a microonde in esecuzione automatica.
7. È sconsigliato lasciare il cavo del forno a microonde collegato alla presa in esecuzione automatica. Scollegare il cavo dalla presa elettrica prima di eseguire qualsiasi manutenzione. Non staccare il cavo di alimentazione dalla presa tirandolo. Scollegare il cavo dalla presa afferrando la spina.
8. Non utilizzare il forno a microonde vicino ad una fonte di calore, ad esempio un fornello. Proteggerlo dalla luce diretta del sole.
9. Non permettere che il cavo venga a contatto con superfici calde o che venga portato su spigoli taglienti.
10. Prevenire gli incendi all'interno del forno osservando quanto segue:
 - a) Non surriscaldare il cibo.
 - b) Prima di immettere la carta o i sacchetti di plastica nel forno, rimuovere tutte le graffette.
 - c) Non riscaldare olio o friggere il grasso nel forno perché non può regolare la temperatura dell'olio. Non friggere il cibo all'interno del forno. L'olio bollente può danneggiare parti del forno e piatti da cucina ed inoltre causare ustioni.
 - d) Dopo l'uso, pulire la porta, la guarnizione della porta e la superficie interna del forno con un panno imbevuto in una soluzione detergente e asciugare. Tutte le macchie, i grassi e i residui di cibo vengono rimossi in questo modo.

AVVERTENZA: Quando la porta o la guarnizione della porta sono danneggiate, non usare il forno fino a quando non viene riparato da personale specializzato. Il forno deve essere adeguatamente pulito e deve essere rimosso ogni residuo di cibo. Se non si mantiene pulito il forno si potrebbero causare danni alla superficie, il che potrebbe influenzare negativamente la durata dell'apparecchio creando una situazione pericolosa. Il grasso accumulato potrebbe surriscaldarsi e potrebbe causare un incendio. Non utilizzare detergenti abrasivi. L'apparecchio non deve essere pulito con un pulitore a vapore.

- e) Se il cibo cotto all'interno del forno inizia a fumare o si infiamma, lasciare la porta del forno chiusa, spegnere il forno e staccare la spina dell'alimentatore dalla presa per evitare la propagazione del fuoco.

f) Quando si utilizzano contenitori monouso in plastica, carta o altri materiali combustibili, non lasciare il forno incustodito per impedire incendi.

11. Limitare il rischio di esplosione o improvvisa ebollizione osservando quanto segue:

AVVERTENZA: Liquidi e altri piatti non devono essere riscaldati in contenitori ermetici, perché sono suscettibili di esplosione. I biberon con tappi a vite o ciucci sono considerati contenitori sigillati.

a) Quando si riscaldano liquidi, utilizzare un contenitore a bocca larga e dopo il riscaldamento lasciarlo riposare per 20 secondi, per evitare eruzione bollente.

b) Le uova con il guscio e le uova sode, l'acqua contenente grasso o olio e i recipienti di vetro chiusi non devono essere riscaldati nel forno a microonde, in quanto potrebbero esplodere anche dopo che il riscaldamento è finito. Patate, salsicce o castagne devono essere sbucciate o compunte prima di inserirle nel forno.

c) Il riscaldamento a microonde di bevande può causare ritardo di ebollizione, che deve essere tenuto in considerazione quando si tiene il contenitore.

d) Il contenuto di biberon e gli alimenti per bambini devono essere mescolati o agitati prima della somministrazione e la loro temperatura deve essere controllata prima del consumo per evitare ustioni.

12. I contenitori sono molto caldi dopo essere stati riscaldati. Utilizzare guanti da forno per rimuovere i contenitori dal forno. Fare attenzione a non bruciarsi il viso e le mani entrando in contatto con il vapore caldo.

13. Sollevare sempre il bordo più lontano del coperchio o l'involucro del cibo. Aprire i sacchetti di popcorn e di cottura ad una distanza sufficiente dal viso.

14. Protezione contro la rottura del piatto girevole:

a) Lasciar raffreddare il vassoio in vetro prima di pulirlo.

b) Non posizionare piatti o contenitori caldi sul vassoio in vetro.

c) Non posizionare alimenti surgelati o contenitori freddi sul vassoio in vetro caldo.

15. Assicurarsi che i contenitori non tocchino le pareti interne del forno durante il processo di riscaldamento.

16. Non conservare cibo o altri oggetti all'interno del forno. Il forno potrebbe accendersi spontaneamente se la rete è colpita da un fulmine.

17. Non utilizzare il forno se non contiene alcun cibo o liquidi. Ciò può causare danni al forno. Non coprire o bloccare le aperture sul forno a microonde.
18. Utilizzare solo accessori raccomandati dal produttore, diversamente si rischia di perdere la garanzia.
19. Utilizzare il forno a microonde solo in conformità alle istruzioni di questo manuale. Questo forno a microonde è stato progettato ad uso esclusivamente domestico. Il produttore non è responsabile per danni causati da un uso improprio di questo apparecchio.
20. Il forno a microonde è progettato per riscaldare cibi e bevande. Asciugare cibo o vestiti e cuscini termici, ciabatte, spugne, tessuto bagnato e oggetti simili può causare lesioni, esplosioni o incendi.
21. Questo apparecchio è destinato all'uso domestico ed in aree simili, tra cui:
 - angoli cottura in negozi, uffici e altri luoghi di lavoro
 - apparecchi utilizzati nel settore agricolo
 - apparecchi utilizzati dagli ospiti in alberghi, motel e altri ambienti residenziali
 - apparecchi utilizzati in imprese bed and breakfast.
22. Questo apparecchio può essere utilizzato da bambini con età superiore a 8 anni e da persone con disabilità fisica o mentale, o da persone con conoscenze o esperienza insufficienti, a condizione che siano supervisionati o siano stati istruiti riguardo all'uso dell'apparecchio in modo sicuro e che ne comprendano i rischi potenziali. I bambini non devono giocare con l'apparecchio. La pulizia e la manutenzione, effettuate dall'utente, non devono essere effettuate da bambini sotto 8 anni di età e senza supervisione.

Non esporsi ad un eccesso di energia a microonde

1. Non tentare di far funzionare il forno a microonde se la porta è aperta. In questo modo, si può essere esposti all'energia a microonde dannosa. Non tentare di rompere o tenere le serrature di sicurezza sulla porta del forno.
2. Non inserire oggetti estranei tra la porta e il forno. Assicurarsi che sulla guarnizione della porta o sugli elementi di tenuta del forno non siano rimasti sporco o residui di detersivi.
3. Non utilizzare il forno se danneggiato. La chiusura della porta del forno deve essere perfettamente a tenuta e non deve essere danneggiata.
Esempi di danni causati alla porta del forno:
 - a) AMMACCATURA della porta del forno.

- b) Allentamento o rottura dei CARDINI o degli ELEMENTI DI SICUREZZA della porta.
- c) GUARNIZIONE DELLA PORTA O ZONE DI TENUTA NELLA PARTE ANTERIORE.

Le regolazioni o riparazioni del forno a microonde devono essere eseguite solo da personale qualificato.

- 4. Come la maggior parte degli apparecchi previsti per la cottura, è necessaria una stretta sorveglianza per ridurre il rischio di incendio intorno al forno.

In caso di incendio:

- 1. Non aprire la porta del forno.
- 2. Spegnerne il forno e scollegare il cavo dalla presa.
- 3. Spegnerne l'interruttore di alimentazione principale.

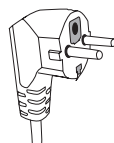
PULIZIA

Assicurarsi di aver staccato il forno dalla presa staccando la spina dalla presa di corrente.

- 1. Usare un panno umido e pulire l'interno del forno.
- 2. Pulire gli accessori come al solito in acqua e sapone.
- 3. Pulire attentamente il telaio della porta, la guarnizione e le parti vicine con un panno umido immerso nel detersivo per piatti e asciugare.

Il forno a microonde deve essere collegato a terra. La spina deve essere collegata a una presa a terra. Rivolgersi ad un elettricista qualificato o ad un tecnico se si hanno dei dubbi per quanto riguarda il corretto cablaggio o il malfunzionamento sperimentato.

- 1. Il forno a microonde è dotato di un cavo corto per ridurre il rischio di caduta e grovigli.
- 2. Le prolunghie devono soddisfare i seguenti requisiti:
 - a) Per quanto riguarda la carica elettrica, i valori nominali del cavo di prolunga e la presa devono rispettare i valori nominali del forno a microonde.
 - b) La prolunga deve essere a tre fili e la spina deve essere munita di un perno di messa a terra.
 - c) Il cavo deve essere ben nascosto affinché non penzoli sopra il piano di lavoro del mobile da cucina e per evitare che i bambini inciampino o lo tirino.



UTENSILI E STOVIGLIE

ATTENZIONE

Pericolo di lesioni

Utilizzare solo contenitori che siano idonei per l'uso nei forni a microonde. I contenitori ben chiusi possono esplodere se riscaldati. I contenitori chiusi devono essere aperti prima della cottura e i contenitori di plastica devono essere trafitti, si veda il capitolo Materiali per scoprire che materiali possono e non possono essere utilizzati nel forno a microonde. Alcuni materiali non metallici potrebbero essere utilizzati in modo non sicuro per il riscaldamento del forno. Se non si è sicuri se il materiale è sicuro per il riscaldamento del forno, procedere come segue:

Testare il contenitore:

1. Riempire il contenitore, da riscaldare nel forno a microonde, con acqua fredda (250 ml).
2. Scaldare per 1 minuto alla massima potenza di cottura.
3. Controllare accuratamente la temperatura del contenitore. Se il contenitore testato è caldo, non usarlo per il riscaldamento nel forno.
4. **Non cuocere per più di 1 minuto.**

PERICOLO per i bambini: I bambini non devono giocare con il materiale di imballaggio. Non lasciare che i bambini giochino con i sacchetti di plastica. Pericolo di soffocamento.



Superficie calda!

Materiali che si possono utilizzare nel forno a microonde

Piatti	Note
Vaschette di cottura	Seguire le istruzioni del produttore. Il fondo della teglia deve essere ad almeno 5 mm sopra il piatto girevole. L'errata manipolazione può portare alla rottura del piatto girevole.
Piatti	Utilizzare solo stoviglie e utensili destinati all'utilizzo in forno a microonde. Seguire le istruzioni del produttore. Non usare piatti rotti o diversamente danneggiati.
Bicchieri e brocche	Rimuovere sempre il coperchio. Riscalda solo il cibo. Non cucinarlo! La maggior parte delle brocche e dei bicchieri non sono resistenti alle alte temperature e possono rompersi.
Teglie in vetro	Utilizzare solo teglie in vetro resistenti alle alte temperature. Assicurarsi che la ciotola non disponga di un bordo in metallo o di altre parti metalliche. Non usare piatti rotti o diversamente danneggiati.

Piatti	Note
Sacchetti di cottura	Seguire le istruzioni del produttore. Non chiudere con graffette metalliche. Lasciare il giunto di tenuta leggermente aperto in modo che il vapore caldo possa sfuggire.
Teglie di carta.	Adatto solo per riscaldamento o cottura breve. Non lasciare il forno incustodito durante la cottura.
Tovaglioli di carta	Utilizzare per coprire il cibo e per assorbire il grasso fuso. Utilizzare solo per la cottura breve. Non lasciare il forno incustodito durante la cottura.
Carta da forno oleata	Utilizzare per coprire gli alimenti, per coprire il cibo durante la stufatura e per evitare che il forno venga spruzzato.
Materiali plastici	Utilizzare solo stoviglie e utensili destinati all'utilizzo in forno a microonde. Seguire le istruzioni del produttore. Un materiale plastico adatto per l'utilizzo in un forno a microonde deve avere una marcatura specifica: «Adatto per forni a microonde». Alcuni tipi di plastica diventano più morbidi a causa di un'esposizione prolungata ad alte temperature. I «sacchetti bollenti» e sacchetti di cottura devono essere tagliati, forati o comunque ventilati secondo le istruzioni del produttore di cibo.
Pellicole di confezionamento in plastica	Utilizzare solo stoviglie e utensili destinati all'utilizzo in forno a microonde. Utilizzare solo piatti e stoviglie progettate per essere utilizzate nei forni a microonde. Assicurarsi che la pellicola di plastica non tocchi il cibo che viene preparato.
Termometri	Utilizzare solo termometri destinati all'utilizzo in forno a microonde. (Termometri per carne, pasticceria e dolci)
Carta oleata	Usarla per coprire i cibi e per mantenere l'umidità del cibo durante la cottura.

Materiali che non devono essere utilizzati per la cottura in forno a microonde

Utensili e stoviglie	Note
Piatti e teglie in alluminio	Pericolo o distorsione. Spostare il cibo in un contenitore adatto all'uso in forno a microonde.
Scatole di carta e cartone con maniglia metallica	Pericolo o distorsione. Spostare il cibo in un contenitore adatto all'uso in forno a microonde.
Piatti di metallo e piatti con oggetti metallici	Il metallo impedisce la penetrazione dell'energia a microonde. Il cerchio di metallo può deformarsi.
Anelli di bloccaggio cablati	Rischio di distorsione e incendio all'interno del forno.
Sacchetti di carta	Potrebbero prendere fuoco. Pericolo di incendio all'interno del forno.
Materiali in schiuma	Per effetto del calore della schiuma plastica, la qualità del cibo potrebbe sciogliersi e degradarsi.
Legno	Il legno si secca durante la cottura e potrebbe incrinarsi.

INSTALLAZIONE DEL PIATTO GIREVOLE



1. Non posizionare mai il piatto in vetro al rovescio. Il piatto in vetro deve sempre girare liberamente.
2. Non usare mai il forno senza l'anello rullo e il piatto in vetro.
3. Tutto il cibo e i contenitori devono essere sempre posizionati sul piatto girevole.
4. Se il piatto in vetro o l'anello rullo sono danneggiati, rivolgersi al centro di assistenza autorizzato più vicino.

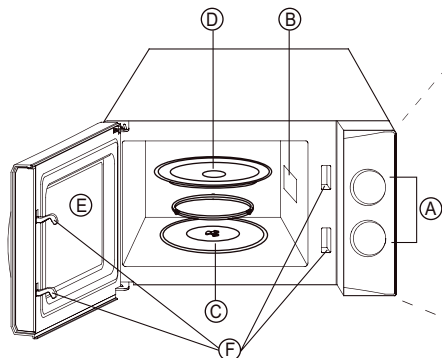
ASSEMBLAGGIO DEL FORNO A MICROONDE

Nomi di parti e accessori del forno

Disimballare il forno e tutti gli accessori.

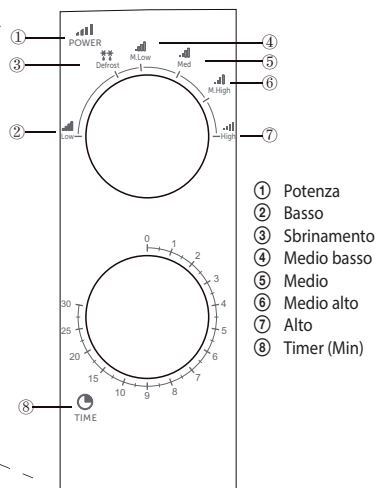
Il forno viene fornito con i seguenti accessori:

- Piatto di vetro 1
- Collare di guida assemblato 1
- Manuale d'uso 1



- (A) Pannello di controllo
- (B) Sistema direzionale di microonde
- (C) Collare di guida assemblato
- (D) Piatto in vetro

- (E) Finestrella
- (F) Sistema di blocco di sicurezza (Interromperà l'alimentazione se la porta viene aperta durante la cottura)



- ① Potenza
- ② Basso
- ③ Sbrinatorio
- ④ Medio basso
- ⑤ Medio
- ⑥ Medio alto
- ⑦ Alto
- ⑧ Timer (Min)

INSTALLAZIONE

Rimuovere tutto il materiale di imballaggio e togliere tutti gli accessori.

Verificare che il forno non sia danneggiato in alcun modo (porta ammaccata o danneggiata, etc.). Non installare il forno qualora sia danneggiato in alcun modo.

Cucina da banco

Corpo del forno: Rimuovere tutta la pellicola protettiva dalla superficie del forno.

Non rimuovere la pellicola marrone chiaro, avvitata all'interno del forno. Questa pellicola protegge il magnetron del forno.

INSTALLAZIONE

1. Posizionare il forno su una superficie piana, che garantisce una quantità sufficiente di spazio libero per il corretto funzionamento delle aperture di ventilazione.

La distanza tra il forno e la parete più vicina deve essere di almeno 7,5 cm.

Almeno un lato deve essere aperto.

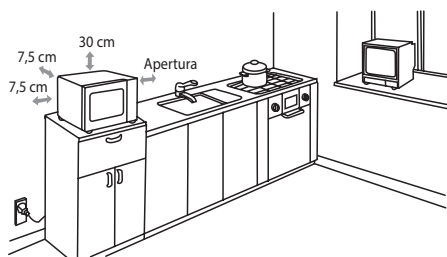
- a) Lasciare almeno 30 cm di spazio libero dietro al forno.
- b) Non rimuovere i piedini del forno.
- c) Non ostruire le aperture di ventilazione. Il forno potrebbe essere danneggiato.
- d) Posizionare il forno più lontano possibile dalla radio o dalla televisione. Il forno a microonde può interferire con il segnale tv e radio.

2. Collegare il forno ad una rete elettrica standard. Assicurarsi che i valori di tensione e frequenza specificati sull'etichetta del forno siano conformi al valore della tensione e della frequenza di rete.

ATTENZIONE: Non installare il forno sopra il piano cucina o nelle sue vicinanze o in prossimità ad un'altra fonte di radiazione di calore. Il posizionamento del forno nei pressi della sorgente di radiazione di calore può danneggiare il forno e invalidare la garanzia.

Il forno a microonde è destinato ad essere utilizzato in uno spazio aperto e non deve essere collocato in un armadio.

La superficie del forno a microonde può surriscaldarsi durante il funzionamento.



Pannello di controllo e funzioni

1. Impostare il livello di potenza del forno girando il regolatore (Pover) nella posizione adatta.
2. Impostare il tempo di cottura girando il timer (Time) per l'intervallo richiesto a seconda del cibo che viene preparato (max. 30 minuti).
3. Dopo aver impostato la potenza d'uscita e il tempo, il forno inizierà automaticamente a cucinare.
4. Trascorso il tempo di cottura, il forno si spegne automaticamente.
5. Se non si utilizza il forno, lasciare il timer impostato a «0».

Nota: Per selezionare un tempo di cottura inferiore a due minuti, girare il regolatore sopra i 2 minuti e tornare al valore desiderato.

Funzioni	Potenza di uscita	Applicazione
Basso	17 %	Rammollimento del gelato
Sbrinamento	40 %	Sbrinamento
M. basso	48 %	Preparazione della zuppa, rammollimento del burro
Med	66 %	Stufatura della carne, pesce
M. alto	85 %	Riso, pesce, pollo, carne macinata
Alto	100 %	Riscaldamento, latte, acqua bollente, verdure, bevande

RISOLUZIONE DEI PROBLEMI

Comune	
Il forno a microonde interferisce con la ricezione televisiva.	Durante il funzionamento, il forno a microonde può interferire con la ricezione radio e televisiva. Si tratta di un tipo simile di interferenza a quella di piccoli elettrodomestici come frullatori, aspirapolvere e ventilatori elettrici.
La luce all'interno del forno si attenua.	Quando si utilizza una potenza minore, la luce all'interno del forno potrebbe attenuarsi.
Il vapore è accumulato sulla porta, dalle prese d'aria esce aria calda.	Mentre del vapore di cottura potrebbe uscire dal cibo. La maggior parte di esso fuoriesce attraverso le aperture di ventilazione, mentre una parte dello stesso potrebbe accumularsi in una zona fredda come la porta. Questo è normale.
Il forno è stato accidentalmente acceso mentre era vuoto.	Non bisogna accendere il forno quando è vuoto. È molto pericoloso.

Problema	Possibile causa	Soluzione
Non è possibile accendere il forno.	(1) Il cavo di alimentazione non è ben inserito nella presa di corrente.	Scollegare il cavo dalla presa di corrente. Dopo circa 10 secondi, reinserire il cavo di alimentazione nella presa.
	(2) È stato bruciato un fusibile o l'interruttore automatico è stato attivato.	Sostituire il fusibile o ripristinare l'interruttore automatico (riparato da un tecnico della nostra azienda).
	(3) Problemi con la presa di corrente.	Provare a collegare un altro apparecchio elettrico alla presa di corrente.
Il forno non scalda.	(4) La porta non è correttamente chiusa.	Chiudere la porta correttamente.
Il piatto di vetro produce dei suoni quando il forno è in funzione.	(5) L'anello rotante e la parte inferiore del forno sono sporchi.	Pulire il forno secondo le istruzioni indicate nel capitolo «Pulizia».

INFORMAZIONI TECNICHE

Capacità:	20 l	Tensione nominale:	230-240 V~ 50 Hz
Potenza microonde:	700 W	Potenza d'ingresso nominale:	1 200 W
Timer minuti:	30 minuti	Frequenza di funzionamento:	2 450 MHz
Livelli di potenza disponibili:	6 livelli	Rumorosità:	55 dB
Piatto girevole:	Ø 245 mm		
Peso:	10,5 kg		
Dimensioni:	452 × 262 × 330 mm		
Dimensioni dello spazio interno:	315 × 198 × 297 mm		

USO E SMALTIMENTO DEI RIFIUTI

Carta da imballaggio e cartone ondulato: consegnarli alla discarica. Imballaggio foglio stagnola, sacchetti PE, elementi plastici: gettarli nei contenitori per il riciclaggio della plastica.

SMALTIMENTO DEI PRODOTTI A FINE VITA

Smaltimento di apparecchiature elettriche ed elettroniche (valido per i paesi membri dell'Unione Europea e per altri paesi europei con un sistema di riciclo implementato)

Il simbolo rappresentato sul prodotto o sulla confezione indica che il prodotto non deve essere trattato come rifiuto domestico. Consegnare il prodotto alla struttura specificata per il riciclaggio di apparecchiature elettriche ed elettroniche. Prevenire impatti negativi sulla salute umana e sull'ambiente riciclando correttamente il prodotto.

Il riciclaggio contribuisce a preservare le risorse naturali. Per ulteriori informazioni sul riciclaggio di questo prodotto, fare riferimento alle autorità locali, all'organizzazione nazionale di trattamento dei rifiuti o al negozio dove è stato acquistato il prodotto.



08/05

Questo prodotto è conforme ai requisiti della direttiva UE in materia di compatibilità elettromagnetica e sicurezza elettrica.



Il produttore si riserva il diritto ad effettuare cambiamenti del testo e dei parametri tecnici.

DROŠĪBAS INSTRUKCIJAS

Rūpīgi izlasiet un saglabāriet turpmākai uzziņai!

Bridinājums: Šajā rokasgrāmatā aprakstītie drošības pasākumi un norādījumi neietver visas iespējamās situācijas un apstākļus. Lietotājam ir jāsaprot, ka veselais saprāts, piesardzība un rūpība ir faktori, ko nevienā ierīcē nav iespējams integrēt. Par tiem ir jāparūpējas ierīces lietotājiem. Mēs neesam atbildīgi par bojājumiem, kas radušies pārvadāšanas laikā, vai ko izraisījusi nepareiza lietošana, sprieguma svārstības vai jebkuras ierīces daļas modificēšana vai regulēšana.

Lai aizsargātu elektriskas ierīces pret aizdegšanās vai strāvas trieciena risku, ir jāievēro pamata drošības pasākumi, tostarp šādi:

1. Pārlicinieties, ka jūsu rozetes spriegums atbilst uz ierīces marķējuma norādītajam, un ka rozete ir atbilstoši iezemēta. Rozetei ir jābūt uzstādītai saskaņā ar attiecīgajiem EN elektrības kodeksiem.
2. Nekad nelietojiet krāsni, ja durvis ir bojātas, ja krāsns nedarbojas pareizi, vai ja ir bojāts barošanas vads.

BRĪDINĀJUMS: Personai, kas nav pienācīgi apmācīta, ir bīstami veikt jebkādu remontu vai apkopi, kuras gaitā tiek noņemts vāks, kas aizsargā no mikroviļņu starojuma. Visi remontdarbi, tostarp vada nomaināšana, ir jāveic profesionālam apkopes centram! Pirms jebkāda remonta veikšanas ir jāatvieno maiņstrāvas barošanas avots. Vāka noņemšana, kamēr barošanas vads ir pievienots rozetei, var izraisīt mikroviļņu enerģijas iedarbību vai strāvas triecienu!

3. Aizsargājiet ierīci pret tiešu saskari ar ūdeni un citiem šķidrumiem, lai nepieļautu strāvas triecienu. Neiegremdējiet barošanas vadu un kontaktdakšu ūdenī.
4. Neizmantojiet mikroviļņu krāsni ārpus telpām vai mitrā vidē, un nepieskarieties ierīcei vai vadam ar mitrām rokām. Strāvas trieciena risks.
5. Lietojot krāsni bērnu tuvumā, nepieciešama rūpīga uzraudzība!
6. Neatstājiet mikroviļņu krāsni nepieskatītu, kamēr tā darbojas.
7. Nav ieteicams atstāt nepieskatītu krāsni pieslēgtu rozetei. Pirms apkopes veikšanas atvienojiet barošanas vadu no rozetes. Neatvienojiet barošanas vadu no rozetes, raujot to. Atvienojiet vadu, satverot kontaktdakšu.
8. Nelietojiet mikroviļņu krāsni siltuma avota tuvumā, piemēram, pie plīts. Sargājiet ierīci no tiešiem saules stariem.

9. Neļaujiet barošanas vadam pieskarties karstām virsmām, un neļaujiet tam iet pār asām malām.

10. Nepieļaujiet aizdegšanos krāsnī, ievērojot šādus noteikumus:

- a) Nepārkarsējiet ēdienu.
- b) Pirms ievietojat krāsnī papīra vai plastmasas maisiņus, izņemiet no tiem papīra saspraudes.
- c) Nekarsējiet krāsnī eļļu vai cepšanas taukus, jo nav iespējams regulēt eļļas temperatūru. Necepiet krāsnī ēdienus. Karsta eļļa var sabojāt krāsnī un traukus, kā arī izraisīt apdegumus.
- d) Pēc lietošanas noslaukiet durvis, durvju blīvi un krāsns iekšpusi ar drānu, kas samitrināta maigā tīrīšanas līdzeklī, un nosusiniet. Visi traipi un ēdiena paliekas ir jānotīra šādā veidā.

BRĪDINĀJUMS: Ja durvis vai durvju blīve ir bojāta, nelietojiet krāsnī, kamēr to nav salabojis apmācīts profesionālis. Krāsns ir pienācīgi jānotīra un jāaizvāc visas ēdiena paliekas. Pretējā gadījumā var veidoties virsmas bojājumi, kas var negatīvi ietekmēt ierīces kalpošanas laiku un radīt briesmas. Uzkrājušies tauki var pārkarst un izraisīt aizdegšanos. Neizmantojiet abrazīvus tīrīšanas līdzekļus. Ierīci nedrīkst tīrīt ar tvaika tīrītāju.

- e) Ja ēdiens krāsnī sāk kūpēt vai aizdegas, atstājiet krāsns durvis aizvērtas, izslēdziet krāsnī un atvienojiet kontaktdakšu no rozetes, lai nepieļautu liesmu izplatīšanos.
- f) Izmantojot vienreizējas lietošanas traukus, kas izgatavoti no plastmasas, papīra vai cita uzliesmojoša materiāla, neatstājiet tos krāsnī bez uzraudzības.

11. Ierobežojiet sprādziena vai pēkšņas vārīšanās risku, ievērojot šādus noteikumus:

BRĪDINĀJUMS: Šķidrumus un ēdienus nedrīkst karsēt hermētiskos traukos, jo tie var izraisīt sprādzienu. Par slēgtiem traukiem ir uzskatāmas arī zīdaiņu pudeles ar uzskrūvējamiem vāciņiem vai knupjiem.

- a) Sildot šķidrumus, izmantojiet trauku ar platu atveri, un pēc sildīšanas ļaujiet tam 20 sekundes stāvēt, lai nepieļautu pārvārīšanos pār malām.
- b) Olas čaumalā un cieti vārītas olas, ūdeni ar taukiem vai eļļu un slēgtus stikla traukus nedrīkst sildīt mikroviļņu krāsnī, jo tie var eksplodēt pat pēc mikroviļņu sildīšanas beigām. Kartupeļi, sardeles vai kastaņi pirms ievietošanas mikroviļņu krāsnī ir jānomizo vai jānoloba.

- c) Dzērienu sildīšana ar mikroviļņiem var izraisīt aizkavētu vārīšanos, kas jāņem vērā, turot trauku.
- d) Zidaiņu pudeles un ēdiens pirms lietošanas ir jāsamaisa vai jāsakrata, un jāpārbauda to temperatūra, lai nepieļautu apdegumus.
12. Trauki pēc uzsildīšanas ir ļoti karsti. Izņemot traukus no krāsns, lietojiet virtuves cimds. Esiet piesardzīgi, lai neapdedzinātu seju un rokas ar karsto tvaiku.
13. Vienmēr paceliet vāka vai pārtikas iesaiņojuma tālāko malu. Atveriet popkorna maisiņus un cepšanas maisus drošā attālumā no sejas.
14. Aizsargājiet rotējošo paplāti pret bojājumiem:
- Pirms tīrīšanas ļaujiet stikla paplātei atdzist.
 - Nenovietojiet karstu ēdienu vai traukus uz aukstas paplātes.
 - Nenovietojiet saldētu ēdienu vai aukstus traukus uz karstas stikla paplātes.
15. Pārliedzieties, ka trauki sildīšanas laikā nepieskaras krāsns iekšējām malām.
16. Neglabājiet krāsni produktus vai citus priekšmetus. Krāsns var pati ieslēgties, elektrības tīklā iesperot zibenim.
17. Nelietojiet mikroviļņu krāsni, ja tajā nav ievietoti nekādi ēdieni vai šķidrumi. Tas var izraisīt krāsns bojājumus. Neaizsedziet un nebloķējiet nekādas mikroviļņu krāsns atveres.
18. Izmantojiet tikai ražotāja ieteiktus piederumus; pretējā gadījumā var tikt anulēta garantija.
19. Izmantojiet mikroviļņu krāsni tikai saskaņā ar šajā rokasgrāmatā sniegtajām instrukcijām. Mikroviļņu krāsns ir paredzēta tikai mājas lietošanai. Ražotājs nav atbildīgs par bojājumiem, kas radušies, ierīci lietojot neatbilstoši.
20. Mikroviļņu krāsns ir paredzēta ēdienu un dzērienu sildīšanai. Žāvējot ēdienu vai apģērbus un spilvenus, čības, sūkļus, slapju audumu un tamlīdzīgus priekšmetus, iespējams izraisīt traumas, sprādzienu vai aizdegšanos.
21. Šī ierīce ir paredzēta lietošanai mājās un tamlīdzīgiem lietojumiem, tostarp:
- darbinieku virtuvēm tirgos, birojos un citās darba vietās;
 - lauksaimniecības nozarē;
 - viesu lietošanai viesnīcās un citās apmešanās vietās;
 - lietošanai naktsmītnēs.
22. Ierīci drīkst lietot bērni no 8 gadu vecuma un cilvēki, kam ir mazinātas fiziskās vai garīgās spējas vai nepietiekama pieredze vai zināšanas, ja tiek nodrošināta uzraudzība vai ir sniegtas instrukcijas par ierīces drošu lietošanu

un tie saprot iespējamās briesmas. Bērni nedrīkst ar ierīci spēlēties. Bērni nedrīkst veikt ierīces tīrīšanu un apkopi, ja vien tie nav vismaz 8 gadus veci un nav nodrošināta uzraudzība.

Nepakļaujiet sevi pārmērīgai mikroviļņu enerģijas iedarbībai

1. Nemēģiniet lietot mikroviļņu krāsni, ja durvis ir atvērtas. Tā rezultātā jūs varat tikt pakļauti kaitīgai mikroviļņu enerģijai. Nemēģiniet salauzt vai turēt drošības slēdzenes uz krāsns durvīm.
2. Neievietojiet priekšmetus starp krāsns durvīm. Pārliecinieties, ka uz krāsns durvju blīvēm nav netīrumu un tīrīšanas līdzekļu nosēdumu.
3. Nelietojiet krāsni, ja tā ir bojāta. Aizverot krāsns durvis, tām pilnīgi cieši jāpiekļaujas; tās nedrīkst būt bojātas.
Krāsns durvju bojājumu piemēri:
 - a) Krāsns durvju IELIEKUMI.
 - b) Vaļīgas vai bojātas durvju ENĢES vai SARGI.
 - c) KRĀSNS DURVJU BLĪVJU VAI KORPUSA BLĪVJU BOJĀJUMI.Mikroviļņu krāsns regulēšanu un remontu drīkst veikt vienīgi kvalificēts tehniķis.
4. Tāpat kā visas cepšanai paredzētas ierīces, mikroviļņu krāsns ir rūpīgi jāuzrauga, lai mazinātu ugunsgrēka risku.

Aizdeģšanās gadījumā:

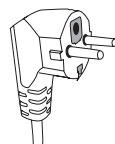
1. Neatveriet krāsns durvis.
2. Izslēdziet krāsni un atvienojiet barošanas vadu no rozetes.
3. Izslēdziet galveno barošanas slēdzi.

TĪRĪŠANA

Atvienojot krāsni no elektrotīkla, atvienojot kontaktdakšu no rozetes.

1. Izmantojot mitru drānu, iztīriet krāsns iekšpusi.
2. Nomazgājiet piederumus kā parasti ziepjūdenī.
3. Rūpīgi notīriet durvju rāmi, blīvi un blakus esošās daļas, izmantojot mitru drānu, kas iemērcta trauku mazgājamajā līdzeklī, un nosusiniet.

Mikroviļņu krāsnij ir jābūt iezemētai. Kontaktdakšu drīkst pievienot vienīgi pienācīgi iezemētai rozetei. Vērsieties pie kvalificēta elektriķa vai apkopes tehniķa, ja jums ir kādas šaubas par pareizu elektroinstalāciju vai jūs saskaraties ar darbības traucējumiem.



1. Mikroviļņu krāsnij ir īss barošanas vads, lai mazinātu pakļūšanas vai sapīšanās risku.
2. Gariem pagarinātājiem ir jāatbilst šādām prasībām:
 - a) Attiecībā uz elektrisko slodzi pagarinātāja un rozetes nominālajām vērtībām ir jāatbilst mikroviļņu krāsns nominālajām vērtībām.
 - b) Pagarinātājam ir jābūt trīs vadu tipa, un kontaktdakšai jābūt aprīkotai ar zemējuma tapu.
 - c) Kabelim jābūt labi noslēptam tā, lai tas nekarātos pār virtuves darba virsmu un bērni nevarētu to izraut vai pakļūpt aiz tā.

GALDA PIEDERUMI UN TRAUKI

BRĪDINĀJUMS

levainojumu risks

Izmantojiet tikai traukus, kas ir piemēroti lietošanai mikroviļņu krāsnī. Cieši aizvērt trauki karsēšanas rezultātā var eksplodēt. Pirms gatavošanas aizvērti trauki ir jāatver, un plastmasas iepakojumā ir jāizdur caurumi; informāciju par to, kādus materiālus drīkst un nedrīkst lietot mikroviļņu krāsnī, skatiet sadaļā Materiāli. Dažus nemetāla materiālus nav iespējams droši lietot mikroviļņu krāsnī. Ja neesat pārliecināti, vai materiāls ir droši lietojams karsēšanai krāsnī, rīkojieties šādi:



Karsta virsma!

Pārbaudiet trauku:

1. Piepildiet trauku, ko plānojat sildīt mikroviļņu krāsnī, ar aukstu ūdeni (250 ml).
2. Karsējiet 1 minūti ar maksimālo jaudu.
3. Piesardzīgi pārbaudiet trauka temperatūru. Ja trauks ir silts, nelietojiet to karsēšanai krāsnī.
4. **Nekarsējiet ilgāk par 1 minūti.**

BRIESMAS bērniem: Bērni nedrīkst spēlēties ar iepakojuma materiālu. Neļaujiet bērniem spēlēties ar plastmasas maisiem. Nosmakšanas risks.

Materiāli, ko drīkst lietot mikroviļņu krāsnī

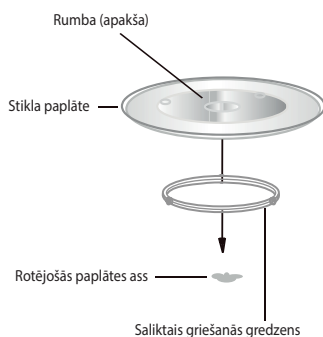
Trauki	Piezīmes
Cepšanas paplātes	Ievērojiet ražotāja norādījumus. Cepšanas trauka apakšai jāatrodas vismaz 5 mm virs rotējošās paplātes. Nepareiza apiešanās var izraisīt rotējošās paplātes saplaisāšanu.
Šķīvji	Izmantojiet tikai šķīvjus un traukus, kas paredzēti lietošanai mikroviļņu krāsnī. Ievērojiet ražotāja norādījumus. Nelietojiet iekļausījušas vai citādi bojātas bļodas.
Glāzes un burkas	Vienmēr noņemiet vāku. Tikai uzsildiet ēdienu. Nevāriet! Vairums stikla krūku un burku nav izturīgas pret augstām temperatūrām un var saplaisāt.

Trauki	Piezīmes
Stikla cepšanas paplātes	Izmantojiet tikai tādas stikla cepšanas paplātes, kas izturīgas pret augstām temperatūrām. Pārļiecinieties, ka bļodai nav metāla mala vai citas metāla daļas. Nelietojiet ieleplaišu vai citādi bojātas bļodas.
Cepšanas maisi	Ievērojiet ražotāja norādījumus. Neaizveriet ar metāla skavām. Atstājiet maisu nedaudz atvērtu, ļaujot brīvi izplūst karstam tvaikam.
Papīra paplātes.	Piemērotas tikai sildīšanai vai īsai gatavošanai. Gatavošanas laikā neatstājiet krāsni nepieskatītu.
Papīra dvieļi	Izmantojiet, lai pārklātu ēdienu, kā arī kūstošu tauku uzsūkšanai. Lietojiet vienīgi īsai gatavošanai. Gatavošanas laikā neatstājiet krāsni nepieskatītu.
Cepamais papīrs	Izmantojiet, lai pārklātu ēdienu, iesaiņotu ēdienu sautēšanai, kā arī aizsardzībai pret izšakstīšanos.
Plastmasas materiāli	Izmantojiet tikai šķīvjus un traukus, kas paredzēti lietošanai mikroviļņu krāsnī. Ievērojiet ražotāja norādījumus. Uz plastmasas materiāliem, kas piemēroti lietošanai mikroviļņu krāsnī, jābūt īpašam marķējumam: „Piemērots mikroviļņu krāsnij”. Dažas plastmasas kļūst mīkstākas, ilgstoši atrodoties augstā temperatūrā. Cepšanas maisos ir jāizgriež vai jāizdur gaisa cirkulācijas atveres saskaņā ar ēdiena ražotāja instrukcijām.
Plastmasas iesaiņojuma folija	Izmantojiet tikai šķīvjus un traukus, kas paredzēti lietošanai mikroviļņu krāsnī. Izmantojiet tos, lai pārklātu ēdinu un uzturētu ēdienu mitru gatavošanas laikā. Pārļiecinieties, ka iesaiņojuma folija nepieskaras gatavojamajam ēdienam.
Termometri	Izmantojiet tikai termometrus, kas paredzēti lietošanai mikroviļņu krāsnī. (Termometri gaļai, konditorejas izstrādājumiem un saldumiem.)
Vaskpapīrs	Izmantojiet, lai pārklātu ēdinu un uzturētu ēdienu mitrumu gatavošanas laikā, kā arī aizsardzībai pret izšakstīšanos.

Materiāli, ko nedrīkst izmantot mikroviļņu krāsnī

Galda piederumi un trauki	Piezīmes
Alumīnija šķīvji un paplātes	Saliekšanās risks. Pārļieciniet ēdienu citā traukā, kas piemērots lietošanai mikroviļņu krāsnī.
Ēdiens un kartona kastes ar metāla rokturi	Saliekšanās risks. Pārļieciniet ēdienu citā traukā, kas piemērots lietošanai mikroviļņu krāsnī.
Metāla trauki un trauki ar metāla daļām	Metāls netaisnā veidā cauri mikroviļņu enerģiju. Metāla malas var saliekties.
Aizvēšanas gredzeni ar stiepli	Saliekšanās un aizdegšanās risks.
Papīra maisiņi	Aizdegšanās risks. Iespējama aizdegšanās krāsnī.
Putuplasta materiāli	Putuplasts augstā temperatūrā var izkust un sabojāt ēdienu.
Koks	Koks izžūst un var saplaisāt.

ROTĒJOŠĀS PABLĀTES UZSTĀDĪŠANA



1. Nekad nenovietojiet stikla paplāti ar apakšu paverstu augšup. Stikla paplātei vienmēr ir brīvi jāgriežas.
2. Nekad nelietojiet krāsni bez griešanās gredzena un stikla paplātes.
3. Visi ēdieni un trauki vienmēr jānovieto uz stikla paplātes.
4. Ja stikla paplāte saplaisā vai griešanās gredzens ir bojāts, sazinieties ar tuvāko pilnvaroto apkopes centru.

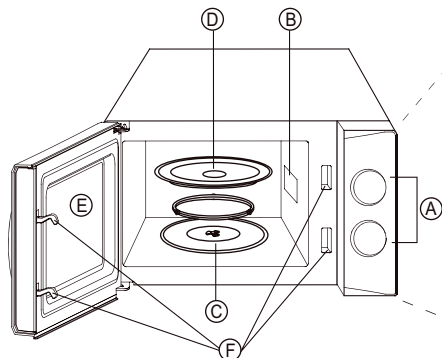
MIKROVIĻŅU KRĀSNIS UZSTĀDĪŠANA

Krāsns daļu un piederumu nosaukumi

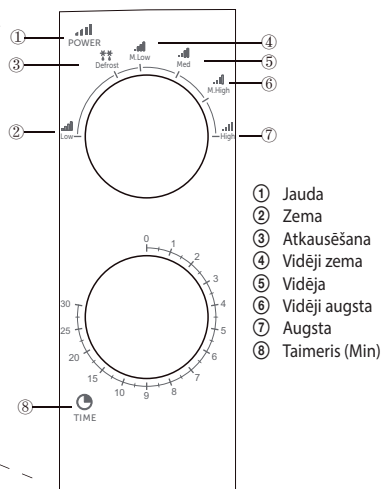
Izsainojiet krāsni un visus piederumus.

Krāsns komplektā ir iekļauti šādi piederumi:

- Stikla paplāte 1
- Saliktais griešanās gredzens 1
- Lietošanas pamācība 1



- (A) Vadības panelis
- (B) Viļņu virzītājs
- (C) Saliktais griešanās gredzens
- (D) Stikla paplāte
- (E) Skata logs
- (F) Drošības slēdzenes sistēma (Atslēdz elektrisko enerģiju, ja gatavošanas laikā tiek atvērtas durvis.)



UZSTĀDĪŠANA

Noņemiet visus iepakojuma materiālus un izņemiet visus piederumus.

Pārliecinieties, ka krāsns nekādā veidā nav bojāta (bojātas durvis u.tml.). Neuzstādiēt mikroviļņu krāsni, ja tā ir bojāta.

Virtuves lete

Krāsns korpus: Noņemiet visu aizsargplēvi no krāsns virsmām.

Nenoņemiet gaiši brūno plēvi, kas pieskrūvēta krāsns iekšpusē. Šī plēve aizsargā krāsns magnetronu.

UZSTĀDĪŠANA

1. Novietojiet krāsni uz plakanas virsmas, ap ierīci atstājot pietiekami daudz vietas, lai nodrošinātu ventilācijas atveru pareizu darbību.

Attālumam starp krāsni un tuvāko sienu ir jābūt vismaz 7,5 cm.

Vismaz vienai malai ir jābūt brīvā vietā.

- a) Atstājiet vismaz 30 cm brīvas vietas aiz krāsns.
- b) Nenoņemiet krāsns kājas.
- c) Neaizsprostojiet ventilācijas atveres. Tas var izraisīt krāsns bojājumus.
- d) Novietojiet krāsni pēc iespējas tālāk no radioaparāta un televizora. Mikroviļņu krāsns var radīt televīzijas un radio signāla traucējumus.

2. Pievienojiet krāsni standarta elektrotīklam. Pārliecinieties, ka spriegums un frekvence uz krāsns marķējuma atbilst tīkla spriegumam un frekvencei.

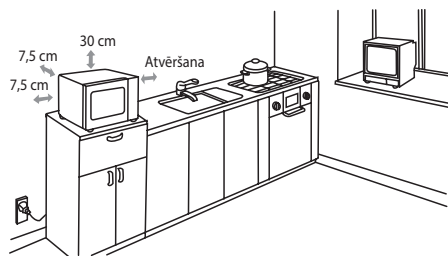
UZMANĪBU: Neuzstādiēt krāsni virs virtuves plīts vai tās tuvumā, vai cita siltuma avota tuvumā. Krāsns novietošana pie siltuma avota var sabojāt krāsni un anulēt garantiju.

Mikroviļņu krāsns ir jālieto atvērtā vietā, un to nedrīkst novietot skapī.

Mikroviļņu krāsns virsma lietošanas laikā var sakarst.

Vadības panelis un funkcijas

1. Iestatiet krāsns jaudu, pagriežot vadības slēdzi (Power) uz nepieciešamo līmeni.
2. Iestatiet sildīšanas ilgumu, griežot taimeris (Time) uz nepieciešamo intervālu atkarībā no produkta (maks. 30 minūtes).
3. Kad jaudas līmenis un laiks ir iestatīti, mikroviļņu krāsns automātiski sāks sildīšanu.



4. Kad iestatītais sildīšanas laiks ir pagājis, krāsns izslēdzas.
5. Ja krāsni vairs neizmantojat, atstājiet taimerī iestatītu uz "0".

Piezīme: Lai izvēlētos sildīšanas ilgumu, kas mazāks par divām minūtēm, pagrieziet vadības slēdzi garām 2 minūšu atzīmei un atgriezieties pie nepieciešamās vērtības.

Funkcija	Jauda	Lietošana
Zema	17%	Saldējuma mikstināšana
Atkausēšana	40 %	Atkausēšana
Vid. zema	48 %	Zupas gatavošana, sviesta mikstināšana
Vid.	66 %	Gaļas, zivju sautēšana
Vid. augsta	85 %	Rīsi, zivis, vista, maltā gaļa
Augsta	100 %	Sildīšana, piens, ūdens vārīšana, dārzeņi, dzērieni

PROBLĒMU NOVĒRŠANA

Izplatītākās	
Mikroviļņu krāsns rada televīzijas uztveršanas traucējumus.	Mikroviļņu krāsns darbojoties var radīt televīzijas un radio signāla traucējumus. Tas līdzinās traucējumiem, ko rada citas mazas elektroierīces, piemēram, blenderis, putekļusūcējs vai elektriskais ventilators.
Aptumšojas krāsns apgaismojums.	Gaisma krāsni var aptumšoties, ja ir iestatīta zemāka gatavošanas jauda.
Uz durvīm krājas tvaiks, no atverēm nāk karsts gaiss.	No ēdiena gatavošanas laikā var izdalīties tvaiks. Lielākā daļa tvaika izplūst caur ventilācijas atverēm, taču daļa var uzkrāties vēsākā vietā, piemēram, pie durvīm. Tas ir normāli.
Nejauši ir ieslēgta tukša krāsns.	Krāsni nedrīkst darbināt tukšu. Tas ir ļoti bīstami.

Problēma	Iespējamais cēlonis	Risinājums
Krāsni nevar ieslēgt.	(1) Barošanas vads nav cieši pievienots rozetei.	Atvienojiet vadu no rozetes. Atkal to pievienojiet pēc apmēram 10 sekundēm.
	(2) Izsists drošinātājs vai izslēgts jaudas slēdzis.	Nomainiet drošinātāju vai pārstatiet jaudas slēdzi (remontu veic mūsu uzņēmuma apkopes tehniķis).
	(3) Rozetes problēma.	Mēģiniet rozetei pievienot citu elektroierīci.
Krāsns nesilda.	(4) Durvis nav pilnīgi aizvērtas.	Aizveriet durvis pienācīgi.
Stikla paplāte rada trokšņus, kamēr krāsns darbojas.	(5) Paliktņi vai krāsns apakša ir netīra.	Iztīriet krāsni saskaņā ar instrukcijām, kas sniegtas nodalā „Tīrīšana”.

TEHNISKĀ INFORMĀCIJA

Ietilpība:	20 l
Mikroviļņu jauda:	700 W
Mīnušu taimeris:	30 minūtes
Pieejamie jaudas līmeņi:	6 līmeņi
Rotējošā paplāte:	Ø 245 mm
Svars:	10,5 kg
Izmēri:	452 × 262 × 330 mm
Iekšējie izmēri:	315 × 198 × 297 mm

Nominālais spriegums:	230–240 V~ 50 Hz
Nominālā ieejas jauda:	1200 W
Darbības frekvence:	2450 MHz
Trokšņa līmenis:	55 dB

ATBRĪVOŠANĀS NO ATKRITUMIEM

letīnāmais papīrs un kartons – nogādāt pārstrādes punktā. Iepakojuma folija, PE maisi, plastmasas daļas – iemest plastmasas šķirošanas konteineros.

ATBRĪVOŠANĀS NO IERĪCĒM KALPOŠANAS LAIKA BEIGĀS

Atbrīvošanās no elektriska un elektroniska aprīkojuma (attiecas uz ES dalībvalstīm un citām Eiropas valstīm, kur ieviesta pārstrādes sistēma)

Norādītais simbols uz ierīces vai iepakojuma nozīmē, ka ierīci nedrīkst pievienot sadzīves atkritumiem. Nododiet ierīci norādītajā elektriska un elektroniska aprīkojuma pārstrādes punktā. Novērsiet negatīvu ietekmi uz veselību un vidi, parūpējoties par ierīces pareizu pārstrādi.

Pārstrāde palīdz taupīt dabas resursus. Lai saņemtu plašāku informāciju par šīs ierīces pārstrādi, sazinieties ar vietējo atbildīgo iestādi, sadzīves atkritumu apstrādes organizāciju vai veikalu, kur ierīci iegādājāties.

Šī ierīce atbilst ES direktīvu prasībām par elektromagnētisko saderību un elektrisko drošību.

Iespējamās teksta un tehnisko parametru izmaiņas.



08/05



SAUGOS INSTRUKCIJOS

Atidžiai perskaitykite ir išsaugokite pasinaudojimui ateityje!

Perspėjimas: šiame vadove nurodytos saugos priemonės ir instrukcijos neapima visų galimų sąlygų ir situacijų. Naudotojui būtina suprasti, kad bendrasis principas, atsargumas ir priežiūra yra veiksniai, kurių negalima integruoti į jokią produktą. Todėl, naudodamasis ar dirbdamas šiuo prietaisu, naudotojas turi užtikrinti, kad šių veiksnių yra paisoma. Mes nesame atsakingi dėl žalos, kurį įvyko gaminio atvežimo metu, dėl netinkamo jo naudojimo, įtampos svyravimų arba kurios nors prietaiso dalies pakeitimo ar modifikavimo.

Kad išvengtumėte gaisro arba susižalojimo dėl elektros smūgio, naudodamiesi elektros prietaisais, vadovaukitės pagrindinėmis atsargumo priemonėmis, įskaitant:

1. Įsitinkite, kad elektros lizdo įtampa atitinka ant prietaiso etiketės nurodytą įtampos reikšmę, ir kad lizdas tinkamai įžemintas. Elektros lizdą būtina įrengti vadovaujantis galiojančiais elektros darbų kodeksais pagal EN.
2. Niekada nenaudokite krosnelės jei pažeistos jos durelės, ji tinkamai nedirba arba pažeistas maitinimo laidas.

ĮSPĖJIMAS: prietaiso techninei priežiūrai bei remontui, kurių eigoje reikia nuimti prietaiso dangčius, saugančius nuo mikrobangų spinduliuotės, atlikti reikia kvalifikuoto specialisto; šiuos darbus atlikinėti patiems naudotojams pavojinga. Bet koks remontas arba suregulavimas, įskaitant laido pakeitimą, turi būti atliekamas profesionalios techninės priežiūros centre! Prieš atliekant bet kokius remonto darbus, būtina atjungti prietaiso maitinimą. Nuėmus dangtį esant prijungtam maitinimui, priežiūrą atliekančiam technikui kyla poveikio mikrobangų energija arba elektros smūgio grėsmė!

3. Saugokite prietaisą nuo tiesioginio kontakto su vandeniu ar kitais skysčiais, kad išvengtumėte potencialaus elektros smūgio. Nemerkite laido į vandenį!
4. Nenaudokite mikrobangų krosnelės lauke arba drėgnoje aplinkoje bei nelieskite laido ar prietaiso šlapiomis rankomis. Elektros smūgio rizika.
5. Būkite ypač dėmesingi jei krosnelė naudojama ten, kur yra vaikų!
6. Nepalikite veikiančios mikrobangų krosnelės be priežiūros.
7. Nerekomenduojama palikti orkaitės laido prijungto prie elektros lizdo be priežiūros. Prieš pradėdami techninę priežiūrą, atjunkite maitinimo laidą nuo elektros lizdo. Netraukite laido iš elektros lizdo trūktelėjimo veiksmu. Atjunkite maitinimo laidą nuo elektros lizdo, suėmę už kištuko.

8. Nenaudokite mikrobangų krosnelės šalia šilumos šaltinio, pavyzdžiui, viryklės kaitlenčių. Saugokite prietaisą nuo tiesioginių saulės spindulių.
9. Neleiskite maitinimo laidui prisiliesti prie karštų paviršių arba persilenkti už aštrių kampų.
10. Saugokite, kad neužsiliepsnotų krosnelės vidus, atsižvelgdami į šiuos reikalavimus:
 - a) Neperkaitinkite maisto.
 - b) Prieš dėdami popierinius ar plastikinius maišelius į krosnelę, nuo jų nuimkite visas sąvaržėles.
 - c) Neperkaitinkite aliejaus arba kepimo riebalų, kadangi nėra galimybės reguliuoti aliejaus temperatūros. Nekepkite maisto krosnelėje. Karštas aliejus gali pagadinti krosnelės dalis ir virtuvės reikmenis, o taip pat apdeginti.
 - d) Po naudojimo nušluostykite dureles, durelių tarpinę ir vidinę krosnelės sritį skepeta, suvilgyta plovikliu ir nusauskinkite. Tokiu būdu pasišalina visos dėmės, riebalai ir maisto likučiai.

ĮSPĖJIMAS: jei durelės arba durelių tarpinė pažeisti, krosnelės negalima naudoti, kol jos nesutaisys kvalifikuotas asmuo. Krosnelė turi būti švari, kad joje neliktų jokių maisto likučių. Jei krosnelėje liks maisto likučių, galima pažeisti jos paviršių, kas turės neigiamo poveikio prietaiso eksploatacijos trukmei bei sukels pavojingą situaciją. Dėl susikaupusių riebalų krosnelė gali perkaisti ir užsiliepsnoti. Nenaudokite abrazyvinių valiklių. Prietaisą valyti garais draudžiama.

- e) Jei krosnelėje ruošiamas maistas ima smilksti arba jei pastarasis užsiliepsnoja, palikite krosnelės dureles atviras, išjunkite prietaisą bei atjunkite maitinimo laidą nuo elektros lizdo, kad nekiltų gaisras.
 - f) Jei naudojate vienkartinius plastikinius indus, popierių arba kitas degias medžiagas, kad išvengtumėte užsiliepsnojimo, nepalikite krosnelės be priežiūros.
11. Apribokite sproginimo riziką arba staigų užvirimą stebėdami:

ĮSPĖJIMAS: kad skysčiai ir kiti patiekalai nebūtų šildomi užsandarintuose induose, nes jie gali sprogti. Kūdikių buteliukai užsukamais gaubteliais ar žindukais taip pat laikomi užsandarintais indais.

- a) Kai šildote skysčius, naudokite indą burnos pločio kakliuku, o pašildę, palikite jį bent 20 sekundžių pastovėti, kad užviręs turinys neprasiveržtų pro kraštus.

- b) Mikrobangų krosnelėje negalima šildyti kiaušinių su lukštais, kietai virtų kiaušinių, riebalų, iš kurių išsiskiria vanduo, o taip pat aliejaus ir uždarytų stiklinių indų, nes jie gali sprogti net ir pasibaigus pašildymui. Bulves, parūkytas dešreles arba kaštonus prieš dedant į mikrobangų krosnelę reikia išlukštenti arba perdurti.
- c) Mikrobangų krosnelėje šildant gėrimus, virimo procesas gali prailgėti, į ką būtina atsižvelgti traukiant indą lauk iš mikrobangų krosnelės.
- d) Prieš maitinant kūdikių buteliukų turinį reikia išmaišyti arba suplakti bei apsaugai nuo nusideginimo, patikrinti jų temperatūrą.
12. Indai po pašildymo gali labai įkaisti. Traukdami indus iš krosnelės, naudokite specialias pirštines. Būkite atsargūs kad nenusidegintumėte veido ir rankų dėl kontakto su karštais garais.
13. Visada kilstelėkite tolimiausią indo arba maisto įvynioklio kraštą. Atidarinėkite orinių kukurūzų maišelius ir kepimo maišelius pakankamai atitraukę nuo veido.
14. Sukamosios platformos apsauga nuo sudaužymo:
- a) Prieš valydami leiskite stikliniam padėklui ataušti.
- b) Nedėkite karšto maisto arba indų ant šalto stiklinio padėklo.
- c) Nedėkite užšaldyto maisto arba šaltų indų ant įkaitusio stiklinio padėklo.
15. Įsitinkinkite, kad šildymo proceso metu, indai nesiliečia su krosnelės vidaus sienelėmis.
16. Maisto ar kitų objektų nelaikykite krosnelėje. Į elektros tinklą trenkus žaibui, krosnelė gali savaime įsijungti.
17. Nenaudokite krosnelės, jei jos viduje nėra jokio maisto arba skysčio. Taip galite ją sugadinti. Neuždenkite arba neužblokuokite jokių mikrobangų krosnelės angų.
18. Naudokite tik gamintojo rekomenduojamus priedus, nes kitaip rizikuojate negauti garantinės priežiūros.
19. Naudokite mikrobangų krosnelę tik pagal šiame vadove aprašytas instrukcijas. Ši mikrobangų krosnelė skirta tik naudojimui namuose. Gamintojas neatsako už bet kokią žalą, atsiradusią dėl netinkamo šio prietaiso naudojimo.
20. Mikrobangų krosnelė skirta maisto ir gėrimų šildymui. Maisto ar drabužių džiovinimas, o taip pat pagalvėlių, šlepečių, kempinių, šlapio audinio ir panašių daiktų šildymas gali sužaloti, sukelti sprogimą arba gaisrą.
21. Šis prietaisas skirtas tik naudojimui namuose ir panašiose vietose, įskaitant:
- virtuvės kampelius prekyvietėse, biuruose ir kitose darbo aplinkose;
 - prietaisus, naudojamus žemės ūkyje;

- prietaisus svečių naudojamus viešbučiuose, moteliuose ir kitose gyvenamosiose aplinkose;
 - prietaisus naudojamus nakvynės ir pusryčių paslaugų versle.
22. Šiuo prietaisu gali naudotis 8 ir vyresnio amžiaus vaikai, žmonės su fizine ir psichine negalia arba asmenys, neturintys pakankamai patirties ir žinių, jei juos prižiūri kitas žmogus arba jie buvo išmokyti, kaip naudotis prietaisu saugiai ir supranta potencialius pavojus dėl netinkamo prietaiso naudojimo. Vaikams negalima leisti žaisti su šiuo prietaisu. Naudotojo valymo ir techninės priežiūros procedūrų neturėtų atlikti jaunesni nei 8 metų amžiaus vaikai be priežiūros.

Venkite per didelio mikrobangų energijos poveikio

1. Nebandykite naudoti mikrobangų krosnelės atidarytomis durelėmis. Taip darydami patiriate pavojingą mikrobangų energijos poveikį. Nebandykite išlaužti arba apriboti krosnelės durelių saugos skląsčių funkcionalumo.
2. Nedėkite jokių pašalinių objektų tarp krosnelės durelių. Įsitinkinkite, kad nešvarumų ar valymo priemonės likučių nėra likę ant durelių tarpinės arba krosnelės sandarinimo elementų.
3. Nenaudokite krosnelės, jei ji pažeista. Krosnelės durelės turėtų užsidaryti idealiai sandariai ir būti nesugadintos.

Krosnelės durelių sugadinimo atvejų pavyzdžiai:

- a) ĮDUBUSIOS durelės.
- b) Atsilaisvinę ar pažeisti durelių LANKSTAI arba SAUGOS ĮTAISAI.
- c) DURELIŲ TARPINĖS ARBA SANDARINIMO SRITYS PASISLINKUSIOS ANT PRIEKINĖS KORPUSO DALIES.

Mikrobangų krosnelės korekciją arba remontą atlieka tik kvalifikuotas specialistas.

4. Kaip ir daugumai kitų maisto ruošai skirtų buitinių prietaisų, būtina imtis griežtų priemonių gaisro rizikos aplink krosnelę sumažinimui.

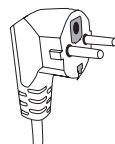
Gaisro atveju:

1. Neatidarykite durelių.
2. Išjunkite krosnelę ir ištraukite kištuką iš maitinimo lizdo.
3. Išjunkite pagrindinį maitinimo jungiklį.

VALYMAS

Įsitinkinkite, kad atjungėte krosnelę nuo elektros lizdo, ištraukdami kištuką iš rozetės.

1. Krosnelės vidaus valymui naudokite drėgną šepetą.
2. Prieš plaukite įprastiniu muiluotu vandeniu.



3. Kruopščiai drėgna skepeta, suvilgyta indų plovyklės priemone, nuvalykite krosnelės durelės, tarpinę ir gretimas dalis ir nusausinkite.

Mikrobangų krosnei būtinas žeminimas. Kištukas turi būti jungiamas tik prie tinkamai žeminto išvado. Kreipkitės į kvalifikuotą elektriką arba techniką, jei abejojate dėl tinkamos laidų instaliacijos arba sutrinka prietaiso veikimas.

1. Mikrobangų krosnelė turi trumpą laidą, siekiant išvengti užkliuvimo arba susiraužymo rizikos.
2. Ilginamieji kabeliai turi atitikti šiuos reikalavimus:
 - a) Atsižvelgiant į elektros tinklo apkrovą, vardinės ilginamojo kabelio reikšmės ir lizdas turi atitikti mikrobangų krosnelės vardinės reikšmės.
 - b) Ilginamasis kabelis turi būti trijų gyslų, o kištukas turėti žeminimo kontaktą.
 - c) Kabelį būtina gerai paslėpti, kad pastarasis nekabotų virš virtuvinio stalviršio, kad už jo neužkliūtų arba neatjungtų vaikai.

VIRTUVĖS REIKMENYS IR INDAI

ĮSPĖJIMAS

Susižalojimo rizika

Naudokite tik tokius indus, kurie tinka naudojimui mikrobangų krosnelėse. Sandariai užsukti indai įkaitę gali sprogti. Uždarytus indus būtina atidaryti tik prieš maisto ruošą, plastikinius – perdurti; skaitykite skirsnį „Medžiagos“, kur rasite informacijos, kokias medžiagas galima naudoti krosnelėje ir kokių ne. Kai kurios ne metalinės medžiagos gali būti nesaugios naudojimui krosnelėje. Jei nesate tikri, ar medžiaga saugi kaitinimui krosnelėje, atlikite šiuos veiksmus:



Karštas paviršius!

Indo testas:

1. Užpildykite indą, kurį kaitinsite krosnelėje, šaltu vandeniu (250 ml).
2. Pakaitinkite 1 minutę maksimalia galia.
3. Kruopščiai patikrinkite iki kokios temperatūros indas įkaito. Jei testuojamas indas yra šiltas, nenaudokite jo šildymui krosnelėje.
4. **Nevirkite ilgiau nei 1 minutę.**

PAVOJINGA vaikams: vaikams negalima leisti žaisti pakavimo medžiaga. Neleiskite vaikams žaisti plastikiniams maišeliams. Uždusimo pavojus.

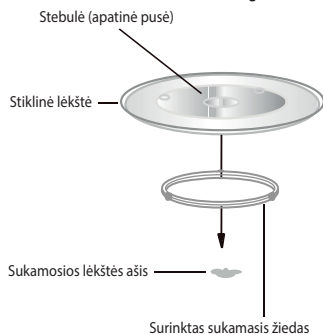
Medžiagos, kurias galima naudoti mikrobangų krosnelėje

Indai	Pastabos
Kepimo skardos	Vadovaukitės gamintojo pateikiamomis instrukcijomis. Kepimo indo dugnas privalo būti mažiausia 5 mm virš sukamosios platformos. Dėl neteisingo naudojimo sukamoji platforma gali sulūžti.
Lėkštės	Naudokite tik tokias lėkštes ir indus, kurie tinka naudojimui mikrobangų krosnelėse. Vadovaukitės gamintojo pateikiamomis instrukcijomis. Nenaudokite įskilusių ar kitaip pažeistų indų.
Stiklainiai ir ąsočiai	Visada nuimkite dangtelį. Kaitinkite tik maistą. Nevirkite! Dauguma stiklainių ir ąsočių neatlaiko aukštos temperatūros ir skyla.
Stiklinės kepimo formos	Naudokite tik tas stiklines kepimo formas, kurios atsparios aukštomis temperatūroms. Įsitinkinkite, kad indas neturi metalinių apvadų arba kitų metalinių priedų. Nenaudokite įtrūkusių ar kitaip pažeistų indų.
Kepimo maišeliai	Vadovaukitės gamintojo pateikiamomis instrukcijomis. Neužsekite metalinėmis sąvaržėlėmis. Palikite sandarinimo sujungimą šiek tiek pravręžtą kad pasišalintų karšti garai.
Popieriaus padėklai.	Tinka tik pašildymui ar trumpalaikiai maisto ruošai. Maisto ruošos metu nepalikite krosnelės be priežiūros.
Popieriniai rankšluosčiai	Kad absorbuotųsi ištirpę riebalai, maistą uždenkite dangčiu. Tinka tik trumpalaikiai maisto ruošai. Ruošdami maistą nepalikite krosnelės be priežiūros.
Riebalams atsparus kepimo popierius	Naudokite apdengti maisto produktams, troškiniui ir kad išvengtumėte mikrobangų krosnelės apsaitymo.
Plastikinės medžiagos	Naudokite tik tokias lėkštes ir indus, kurie tinka naudojimui mikrobangų krosnelėse. Vadovaukitės gamintojo pateikiamomis instrukcijomis. Plastiko medžiaga, tinkama naudoti mikrobangų krosnelėje, privalo būti paženklinta: „Tinka mikrobangų krosnelėms“. Kai kuris plastikas minkštėja dėl ilgalaikio aukštos temperatūros poveikio. Virimo ir kepimo maišelius būtina prakirpti, pradurti arba kitaip ventiliuoti pagal maisto gamintojo nurodymus.
Plastikinė įvyniojimo folija	Naudokite tik tokias lėkštes ir indus, kurie tinka naudojimui mikrobangų krosnelėse. Naudokite maisto produktams apdengti ir palaikyti drėgmei maisto ruošos metu. Įsitinkinkite, kad plastikinė folija nesiliečia su ruošiamu maistu.
Termometrai	Naudokite tik tokius termometrus, kurie tinka naudojimui mikrobangų krosnelėse. (Termometrai mėsai, sausainiams ir pyragaičiams.)
Vaškuotas popierius	Naudokite maisto produktams apdengti, kad apsaugotumėte krosnelę nuo apsaitymo ir palaikyti drėgmei maisto ruošos metu.

Medžiagos, kurių negalima naudoti ruošiant maistą mikrobangų krosnelėje

Įranga ir indai	Pastabos
Aluminiinio padėklai ir lėkštės	Deformacijos pavojus. Sudėkite maistą į indą, tinkamą maisto ruošai mikrobangų krosnelėje.
Popierinės ir kartono dėžutės su metalinėmis rankenėlėmis	Deformacijos pavojus. Sudėkite maistą į indą, tinkamą maisto ruošai mikrobangų krosnelėje.
Metaliniai indai ir indai su metaliniais priedais	Metalas neleidžia prasiskverbti mikrobangų energijai. Metalinis apvadas gali deformuotis.
Vielos tipo uždaramieji žiedai	Deformacijos ir gaisro krosnelės viduje rizika.
Popieriniai maišeliai	Gali užsiliepsnoti. Gaisro pavojus krosnelės viduje.
Putų medžiaga	Kadangi dėl šilumos poveikio plastiko putą gali ištirpti ir pakenkti maisto kokybei.
Mediena	Maisto ruošos metu mediena gali išdžiūti ir sutrūkinėti.

SUKAMOSIOS LĖKŠTĖS ĮRENGIMAS



1. Niekada nedėkite stiklinės lėkštės dugnu žemyn. Stiklinė lėkštė visuomet turi judėti laisvai.
2. Niekada nenaudokite krosnelės be varomojo žiedo ir stiklinės lėkštės.
3. Visas maistas ir indai visada privalo būti dedami ant stiklinės lėkštės.
4. Jei stiklinė lėkštė įtrūko arba pažeistas sukamasis žiedas, kreipkitės į artimiausią įgaliotąjį servisą.

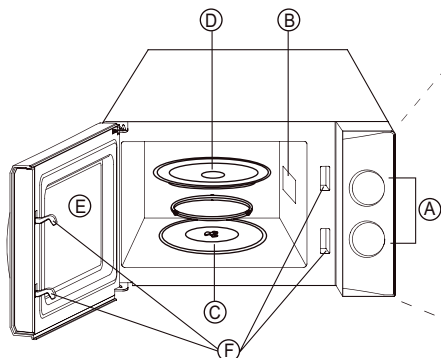
MIKROBANGŲ KROSNELĖS SURINKIMAS

Krosnelės dalių ir priedų pavadinimai

Išpakuokite krosnelę ir visus priedus.

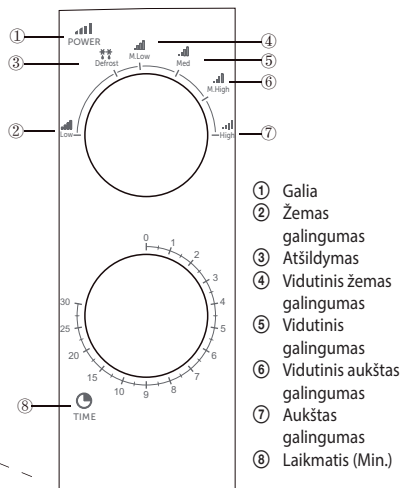
Krosnelė tiekama su šiais priedais:

- Stiklinė lėkštė 1
- Surinktas varomasis žiedas 1
- Naudojimo vadovas 1



- (A) Valdymo skydelis
- (B) Bangolaidis
- (C) Surinktas varomasis žiedas
- (D) Stiklo lėkštė

- (E) Langas
- (F) Saugos užrakto sistema (Išjungia maitinimą, jei durelės atsidaro maisto ruošos metu.)



- ① Galia
- ② Žemas galingumas
- ③ Atšildymas
- ④ Vidutinis žemas galingumas
- ⑤ Vidutinis galingumas
- ⑥ Vidutinis aukštas galingumas
- ⑦ Aukštas galingumas
- ⑧ Laikmatis (Min.)

ĮRENGIMAS

Nuimkite visas pakavimo medžiagas ir išimkite priedus.

Patikrinkite, ar krosnelė nėra pažeista (įdubimai, sugadintos durelės ir pan.). Neįrenginėkite krosnelės, jei ji kaip nors pažeista.

Virtuvinis stalviršis

Krosnelės korpusas: Nuimkite apsauginę foliją nuo krosnelės paviršiaus.

Nenuimkite šviesiai rudos folijos, įsuktos į krosnelės vidų. Ši folija apsaugo krosnelės magnetroną.

ĮRENGIMAS

1. Padėkite krosnelę ant lygaus paviršiaus, kas užtikrintų pakankamą laisvos vietos tarpą tinkamam ventilacijos angų funkcionavimui.

Atstumas tarp krosnelės ir artimiausios sienos privalo būti mažiausia 7,5 cm.

Bent viena pusė turi būti atvira.

- a) Palikite mažiausiai 30 cm laisvą tarpą už krosnelės.
- b) Neišimkite krosnelės kojelėlių.
- c) Neuzblokuokite ventilacijos angų. Mikrobangų krosnelę galite pažeisti.
- d) Padėkite krosnelę kiek galima toliau nuo radijo ar televizoriaus. Mikrobangų krosnelė gali trikdyti televizijos ir radijo signalo priėmimą.

2. Prijunkite krosnelę prie standartinio elektros tinklo. Įsitikinkite, kad įtampa ir dažnio reikšmės, nurodytos ant krosnelės etiketės, sutampa su elektros tinklo įtampa ir dažnio reikšmėmis.

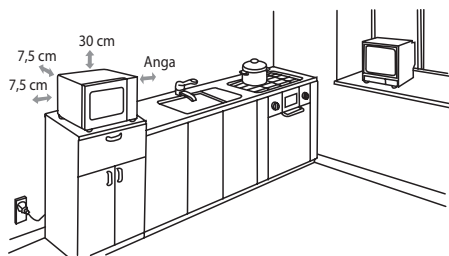
SVARBU: Nestatykite krosnelės virš virtuvinės viryklės ar šalia jos arba šalia kito šilumos spinduliuotės šaltinio. Pastačius krosnelę šalia šilumos spinduliuotės šaltinio, galima sugadinti krosnelę, ir garantinė priežiūra nebegalios.

Mikrobangų krosnelė turėtų būti naudojama atviroje erdvėje, ir neturėtų būti dedama į spintelę.

Mikrobangų krosnelės paviršius veikimo metu gali įkaisti.

Valdymo skydelis ir funkcijos

1. Nustatykite krosnelės maitinimo išeią, sukdami valdiklį (Power) į reikiamą lygį.



- Nustatykite maisto ruošos laiką pasukdami laikmatį (Time) į pageidaujamą intervalą, priklausomai nuo ruošiamo maisto (maždaug 30 minučių).
- Nustačius maitinimo išeią ir laiką, mikrobangų krosnelė automatiškai pradės maisto ruošą.
- Praėjus nustatytam maisto ruošos laikui, krosnelė pati išsijungs.
- Jei nenaudojate krosnelės, palikite laikmatį nustatytą kaip 0.

Pastaba: Kad pasirinktumėte maisto ruošos laiką, mažesnę nei dvi minutes, pasukite valdiklį už 2 minučių žymos ir grąžinkite į pradinę reikšmę.

Funkcijos	Maitinimo išeią	Paskirtis
Low (žemas)	17 %	Ledų suminkštinimas
Defrost (atšildymas)	40 %	Atšildymas
M. Low (vid. žemas)	48 %	Sriubos paruošimas, sviesto išlydimas
Med (vidutinis)	66 %	Troškinta mėsa, žuvis
M. High (vid. aukštas)	85 %	Ryžiai, žuvis, vištiena, malta mėsa
High (aukštas)	100 %	Pašildymas, pienas, vandens užvirimas, daržovės, gėrimai

TRIKČIŲ DIAGNOSTIKA IR ŠALINIMAS

Bendroji informacija	
Mikrobangų krosnelė trikdo televizijos signalo priėmimą.	Veikimo metu mikrobangų krosnelė gali trikdyti radijo arba televizijos signalų priėmimą. Tai panašu į smulkių elektros prietaisų, tokių kaip plaktuvai, dulkių siurblys ir elektrinis ventiliatorius sukeltus trikdžius.
Šviesa krosnelėje tampa blausesnė.	Naudojant krosnelę mažesne galios išvestimi, šviesa viduje tampa blausesnė.
Garai kaupiasi ties durelėmis, iš ventiliacijos angų sklinda karštas oras.	Maisto ruošos metu garai gali skliti iš maisto. Didžioji dalis garsų pasišalinis pro ventiliacijos angas, tačiau dalis gali kauptis šaltesnėje srityje, tokioje kaip durelės. Tai normalus reiškinys.
Krosnelė buvo netyčia įjungta tuščia.	Tuščios krosnelės jungti draudžiama. Tai pavojinga.

Problema	Galima priežastis	Sprendimas
Jungti krosnelės negalima.	(1) Maitinimo laidas netvirtai prijungtas prie elektros lizdo.	Ištraukite laidą iš rozetės. Maždaug po 10 sekundžių iš naujo prijunkite laidą prie maitinimo lizdo.
	(2) Sudegė saugiklis arba suveikė grandinės pertraukiklis.	Pakeiskite saugiklį arba atstatykite grandinės pertraukiklį (taisoma mūsų bendrovės techninės priežiūros).
	(3) Elektros lizdo problema.	Bandykite prie to paties lizdo prijungti kitą elektros prietaisą.
Krosnelė nekaista.	(4) Neteisingai uždarytos durelės.	Tinkamai uždarykite dureles.
Stiklo lėkštė sklaidžia garsą veikiant krosnelėi.	(5) Sukamoji platforma arba krosnelės dugnas yra nesvarūs.	Išvalykite prietaisą pagal instrukcijas, kurias rasite skyriuje „Valymas“.

TECHNINĖ INFORMACIJA

Talpa:	20 l	Vardinė įtampa:	230–240 V~ 50 Hz
Mikrobangų galios išvestis:	700 W	Vardinė įvesties galia:	1 200 W
Minutinis laikmatis:	30 minučių	Eksplotacijos dažnis:	2 450 MHz
Galimi maitinimo lygiai:	6 lygiai	Triukšmo lygis:	55 dB
Sukamoji lėkštė:	Ø 245 mm		
Svoris:	10,5 kg		
Matmenys:	452 × 262 × 330 mm		
Vidinės erdmės matmenys:	315 × 198 × 297 mm		

NAUDOJIMAS IR ATLIEKŲ UTILIZAVIMAS

Vyniojamasis popierius ir gofruoto kartono dėžė – išmesti į atliekas. Pakavimo folija, PE maišeliai, plastikiniai elementai – išmesti į plastiko perdirbimo konteinerius.

GAMINIŲ UTILIZAVIMAS PASIBAIGUS JŲ EKSPLOATACIJOS LAIKUI

Elektros ir elektronikos dalių utilizavimas (taikoma ES valstybėse narėse ir kitose Europos šalyse, kur galioja atliekų perdirbimo sistema)

Ant gaminio ar jo pakuotės atvaizduotas simbolis reiškia, kad gaminio negalima utilizuoti kartu su buitiniemis atliekomis. Nugabenkite gaminį į atitinkamą elektros ar elektronikos gaminių perdirbimo vietą. Utilizuodami gaminį imkitės saugos priemonių dėl neigiamo poveikio žmogaus sveikatai ir aplinkai.

Perdirbimas prisideda prie gamtinių išteklių išsaugojimo. Daugiau informacijos apie šio gaminio perdirbimą, teiraukitės vietinės valdžios institucijose, buitinių atliekų perdirbimo organizacijose arba parduotuvėje, kur įsigijote šį gaminį.

Šis produktas atitinka ES direktyvos dėl elektromagnetinio suderinamumo ir elektros saugos reikalavimus.

Tekstas ir techniniai parametrai keičiami be išankstinio perspėjimo.



08/05



BIZTONSÁGI ELŐÍRÁSOK

Olvassa el figyelmesen és a későbbi felhasználásokhoz is őrizze meg!

Figyelmeztetés! A jelen útmutatóban feltüntetett biztonsági előírások és utasítások nem tartalmazzak minden olyan feltételt és körülményt, amely a használat során bekövetkezhet. A felhasználónak meg kell értenie, hogy egyetlen termékbe sem lehet beépíteni a felhasználótól elvárható elővigyázatosságot és gondosságot. Ezekről a készüléket használó és kezelő felhasználóknak kell gondoskodniuk. Nem vállalunk felelősséget a készülék helytelen használatából, a hálózati feszültségingadozásokból, vagy a készülék bármilyen jellegű átalakításából és módosításából eredő károkért.

A tüzek, áramütések és egyéb sérülések megelőzése érdekében, az elektromos készülékek használata során tartsa be az általános és az alábbiakban feltüntetett biztonsági utasításokat:

1. Mielőtt csatlakoztatná a készüléket a szabályszerűen leföldelt hálózati aljzathoz, győződjön meg arról, hogy a hálózati feszültség értéke megegyezik-e a készülék típuscímkéjén feltüntetett tápfeszültség értékével. A fali aljzat feleljen meg a vonatkozó EN szabványok előírásainak.
2. Ne használja a sütőt, ha sérült az ajtaja, hibásan működik, vagy sérült a hálózati vezetéke.

FIGYELEM! A mikrohullámú sugárzás veszélyes az egészségre, ezért a készülék bármilyen burkolatát illetéktelen személy nem szerelheti le. A javítást bízza mindig a márkaszervizre. A készülék minden javítását, beleértve a hálózati kábel cseréjét is, bízza szakszervizre! Javítás előtt húzza ki a hálózati vezetéket a fali aljzathoz. Amennyiben a burkolatot akkor szereli le, amikor a készülék még a hálózathoz van csatlakoztatva, akkor a készüléket javító személyt áramütés vagy mikrohullámú sugárzás érheti!

3. A készüléket óvja víztől és más folyadékoktól, ellenkező esetben áramütés érheti. A hálózati vezetéket és a csatlakozódugót vízbe mártani tilos!
4. A mikrohullámú sütőt szabadban vagy nedves környezetben használni tilos! A hálózati vezetéket és a készüléket nedves kézzel ne fogja meg. Áramütés veszélye!
5. Szenteljen fokozott figyelmet a sütő használatának, ha gyermekek közelében használja.

6. A mikrohullámú sütőt üzem közben ne hagyja felügyelet nélkül.
7. Lehetőleg soha ne hagyja az áram alá helyezett sütőt felügyelet nélkül. Karbantartás megkezdése előtt a hálózati vezetéket húzza ki a fali aljzatból. A csatlakozódugót a vezetéknél fogva ne húzza ki a fali aljzatból. A művelethez fogja meg a csatlakozódugót.
8. Soha ne használja a mikrohullámú sütőt hóforrás, pl. konyhai tűzhely közelében. Óvja a készüléket a közvetlen napsugárzástól.
9. A hálózati vezeték nem érhet hozzá forró tárgyakhoz, továbbá azt éles eszközökre se helyezze rá.
10. A mikrohullámú sütő belsejében keletkező tűz a következő intézkedésekkel előzhető meg:
 - a) Ne melegítse túl az ételt.
 - b) Mielőtt a papír vagy műanyag zacskókat a sütőbe helyezné, távolítsa el róluk a fémkapcsokat.
 - c) Soha ne melegítsen sütéshez használt olajt vagy zsírt a sütőben, mert az olaj hőmérséklete nem szabályozható. A mikrohullámú sütőben ne készítsen olajban sült ételeket. A forró olaj károsíthatja a sütő részeit és a konyhai edényeket, valamint égési sérüléseket okozhat.
 - d) A használatot követően mosogatószeres vízbe mártott ruhával törölje meg az ajtót, az ajtó szigetelését és a sütő belsejét, majd azokat törölje szárazra. Ezzel eltávolíthatók a lerakódott szennyeződések, zsír és esetleges ételmaradékok.

FIGYELEM! Soha ne használja a sütőt, ha a készülék ajtaja vagy szigetelése sérült, a javítást bízza szakemberre. A sütőt rendszeresen tisztítsa meg, abból az ételmaradékokat mindig távolítsa el. A sütő tisztításának az elhanyagolása a készülék felületeinek a sérüléséhez vezethet, ami a készülék meghibásodását okozhatja, illetve a készülék élettartamának a csökkenéséhez vezet. A lerakódott zsírréteg túlmelegedhet, és füstöt, vagy akár tüzet is okozhat. A tisztításhoz soha ne használjon karcoló hatású tisztítószeret. A készüléket gőzfejlesztő készülékkel tisztítani tilos.

- e) Ha a sütőben készülő étel füstölni vagy égni kezd, kapcsolja ki a sütőt, húzza ki a hálózati vezetéket a fali aljzatból és hagyja zárva az ajtót (az esetleges tűz magától elalszik és nem terjed tovább).

- f) Egyszer használatos műanyag-, papír- vagy más gyúlékony anyagból készült edények használata esetén soha ne hagyja felügyelet nélkül a sütőt (ezek az anyagok begyulladhatnak).
- 11.A robbanás- vagy hirtelen felforrás veszélyét a következő módon csökkentheti:

FIGYELEM! Folyadékokat vagy más ételeket zárt edényben ne melegítsen fel, mert a keletkező nyomástól az edény szétrobbanhat. Zárt edénynek kell tekinteni a menetes cumisüvegeket is.

- a) Folyadékok melegítéséhez széles torkú edényt használjon, majd a melegítést követően hagyja 20 másodpercig állni, nehogy a tartalma robbanásszerűen felforrjon.
- b) Soha ne melegítsen a mikrohullámú sütőben tojást héjastól, keményre főzött egész tojást, zsírt vagy olajat tartalmazó vizet és zárt üvegedényeket, mert felrobbanhatnak (akár a mikrohullámú sütőből való kivétel után is). Mielőtt burgonyát, virsli-t vagy gesztenyét tenne a sütőbe, lyukassza ki őket, nehogy felrobbanjanak.
- c) Mikrohullámú főzőskor a forrás később is bekövetkezhet, ezért bánjon nagyon óvatosan a felmelegített folyadékokkal.
- d) A cumisüvegek tartalmát és a bébiételeket az etetés előtt keverje össze vagy rázza fel, és ellenőrizze le a hőmérsékletüket, nehogy égési sérülés okozzanak.
- 12.A melegítést követően az edények forrók. A kivételükhöz használjon konyhai kesztyűt. Vigyázzon, nehogy a forró gőz megégesse az arcát vagy a kezét.
- 13.Mindig a fedő vagy a fólia legtávolabbi részét kezdje el óvatosan felemelni. A pattogatott kukoricát tartalmazó zacskókat és a sütőzacskókat az arcától biztonságos távolságban nyissa ki.
- 14.Hogy el ne törjön a forgótányér:
- a) A tisztítás előtt a forgótányért hagyja kihűlni.
- b) A hideg forgótányérra soha ne helyezzen semmilyen forró ételt se edényt.
- c) A forró forgótányérra soha ne helyezzen mélyhűtött élelmiszert, se hideg edényeket.
- 15.Ellenőrizze le, hogy melegítés közben az edények nem érnek hozzá a sütő belső falaihoz.
- 16.Soha ne tároljon a sütőben élelmiszereket és egyéb tárgyakat. Ha az elektromos hálózatba villám csap be, akkor a sütő magától bekapcsolhat.

17. Soha ne használja a sütőt, ha nem tett be valamilyen folyadékot vagy élelmiszert. Ellenkező esetben a sütő elromolhat vagy károsodhat. A sütő szellőzőnyílásait letakarni tilos.
18. Ne használjon a gyártó által nem ajánlott tartozékokat, ellenkező esetben elveszítheti a készülékre nyújtott garanciát.
19. A készüléket kizárólag a használati útmutatóban ismertetett utasításokkal összhangban használja. Ez a mikrohullámú sütő kizárólag otthoni használatra készült. A gyártó nem felel a készülék helytelen használata okozta károkért.
20. A mikrohullámú sütővel élelmiszereket és italokat lehet felmelegíteni. A készülékben élelmiszereket vagy ruhát szárítani, melegítő párnákat, papucsot, szivacsot, nedves ruhát és egyéb idegen anyagokat melegíteni tilos, az ilyen tevékenység tüzet vagy súlyos személyi sérülést okozhat.
21. A készüléket háztartásokban, illetve a következő helyeken lehet használni:
 - konyhák, irodai és egyéb munkahelyi kiskonyhák,
 - mezőgazdasági üzemekhez tartozó konyhák,
 - szállodai és motelszobák, munkásszállások konyhái,
 - turistaszállások és egyéb jellegű szállások.
22. A készüléket 8 évnél idősebb gyerekek, idős, testi és szellemi fogyatékos személyek, illetve a készülék használatát nem ismerő és hasonló készülék üzemeltetéseinek a tapasztalataival nem rendelkező személyek csak a készülék használati utasítását ismerő és a készülék biztonságos használatáért felelősséget vállaló személy felügyelete mellett használhatják. A készülék nem játék, azzal gyerekek nem játszhatnak. A készüléket 8 év feletti gyerekek csak felnőtt személy felügyelete mellett tisztíthatják.

Ne tegye ki magát feleslegesen a mikrohullámú sugárzásnak.

1. A mikrohullámú sütőt addig ne kapcsolja be, amíg nyitva van az ajtaja. Ellenkező esetben egészségre ártalmas mikrohullámú sugárzásnak teszi ki magát. Ne próbálja meg kiiktatni vagy felfeszíteni a sütő ajtajának a biztonsági zárját.
2. Ne helyezzen idegen tárgyakat a sütő ajtónyílásába. Ügyeljen arra, hogy a sütő ajtó tömítésén ne rakódjon le szennyeződés vagy tisztítószer.
3. A hibás vagy sérült sütőt bekapcsolni tilos. A becsukást követően a készülék ajtajának tökéletesen fel kell feküdnie. Az ajtó nem lehet sérült.
Példák az ajtó veszélyes sérüléseire:
 - a) A sütőajtó BENYOMÓDÁSA.

- b) Kilazult vagy törött AJTÓPÁNT vagy AJTÓBIZTOSÍTÉK.
- c) AJTÓSZIGETELÉS VAGY A KÉSZÜLÉKHÁZ HOMLOKFALÁNAK A TÖMÍTŐ FELÜLETE.

A mikrohullámú sütőt kizárólag szakképzett személy állíthatja be, vagy javíthatja.

- 4. Mint a legtöbb sütő esetében, a készülékházban keletkező tűz elkerülése érdekében a biztonsági utasítások szigorú betartására van szükség.

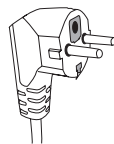
Ha tűz ütne ki:

- 1. Ne nyissa ki a sütő ajtaját.
- 2. Kapcsolja ki a sütőt, és húzza ki a villásdugót a hálózathoz.
- 3. Kapcsolja ki a elektromos áramkör főkapcsolóját.

TISZTÍTÁS

Ellenőrizze le, hogy a készüléket a villásdugó kihúzásával áramtalanította.

- 1. Nedves ruhadarabbal törölje ki a sütő belsejét.
- 2. A tartozékokat a megszokott módon tisztítsa meg mosogatószeres vízben.
- 3. A beszennyeződött ajtókeretet, tömítést és környező felületeket óvatosan törölje át tisztítószerves vízbe merített ruhadarabbal, majd törölje őket szárazra.



A sütőt földelni kell. A készülék villásdugóját kizárólag megfelelően földelt konnektorba szabad csatlakoztatni. Az elektromos áramkörrel vagy a sütő helyes működésével kapcsolatosan felmerülő bármilyen kétségek esetén kérje szakképzett villanyszerelő vagy szerviztechnikus segítségét.

- 1. A mikrohullámú sütő rövid csatlakozókábellel rendelkezik, csökkentve ezzel a beakadás vagy a készülék lerántásának kockázatát.
- 2. A hosszabbító kábelnek az alábbi feltételeknek kell megfelelnie:
 - a) A megengedett elektromos terhelés szempontjából a hosszabbító kábel és a konnektor névleges értékeinek meg kell felelniük a mikrohullámú sütő névleges értékeinek.
 - b) Háromeres hosszabbító kábelre van szükség, és mind a villásdugónak, mind a dugaszolóaljzatnak földelő érintkezővel kell rendelkeznie.
 - c) A kábelt rejtse el, hogy ne lógjon feleslegesen le a konyhapultról, könnyen bele lehetne akadni, ami a készülék lerántásának vagy a kábel kiszakadásának a veszélyét rejti magában.

ESZKÖZÖK ÉS EDÉNYEK

FIGYELMEZTETÉS!

Balesetveszély

Kizárólag csak mikrohullámú sütőben használható táányérokat és edényeket használjon. A szorosan lezárt edények melegítés közben felrobbanhatnak. A lezárt edényeket melegítés előtt nyissa ki, a műanyag csomagolást át kell lyukasztani, lásd a mikrohullámú sütős használatra alkalmas anyagok. Léteznek olyan nem fém anyagok, amelyek nem használhatók biztonságosan a mikrohullámú sütőkben. Ha nem biztos benne, hogy az adott anyag biztonságosan használható-e a mikrohullámú sütőben, az alábbiak szerint járjon el:

Konyhai edény próba

1. A mikrohullámú sütős használatra szánt edényt tölts fel hideg vízzel (250 ml).
2. Melegítse megközelítőleg 1 percig maximális sütőteljesítménnyel.
3. Óvatosan ellenőrizze le az edény hőmérsékletét. Ha az edény meleg, ne használja mikrohullámú sütőben.
4. **Ne melegítse 1 percnél tovább.**

ÉLETVESZÉLY gyerekeknek! A csomagolóanyag nem játék, azt gyerekek elől elzárva tárolja! Műanyag zacskókkal a gyerekek nem játszhatnak! Fulladásveszély!



Forró felület!

A mikrohullámú sütőben használható anyagok

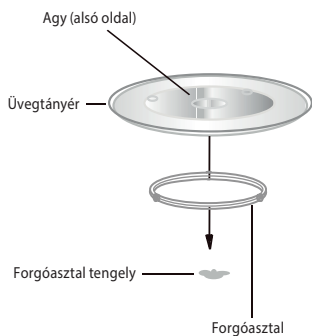
Edények	Megjegyzések
Sütőtepsik	Tartsa be a gyártó utasításait. A sütőtepsi aljának legalább 5 mm-rel a forgótányér fölött kell lennie. A helytelen használat a forgótányér elrepedéséhez vezethet.
Tányérok	Kizárólag mikrohullámú sütőben használható táányérokat és edényeket használjon. Tartsa be a gyártó utasításait. Soha ne használjon repedt se más módon sérült táalakat.
Üvegpoharak és kancsók	Minden esetben távolítsa el a légmentesen záró kupakot, fedelet. Az ételt csak melegítse. Ne főzze! A legtöbb üvegcancsó és pohár nem képes ellenállni a magas hőmérsékleteknek, ezért megrepedhetnek.
Üveg sütőtálak	Kizárólag magas hőmérsékleteknek ellenálló üveg sütőtálakat használjon. Ellenőrizze le, hogy a tál nem tartalmaz sem fémszegélyt sem más fémtartozékot. Ne használjon repedt, vagy más módon sérült táalakat.

Edények	Megjegyzések
Sütőzacskók	Tartsa be a gyártó utasításait. Ne zárja le fémcsttal. Hagyja nyitva a zsák száját, hogy a keletkező forró gőzök szabadon távozhassanak.
Papírtálcák	Kizárólag melegítésre vagy rövid főzésre alkalmas. Soha ne hagyja a sütőt főzés közben felügyelet nélkül.
Papírtörök	Az ételek letakarására és a megolvadt zsír felszívására használja. Kizárólag rövid főzésre használja. Soha ne hagyja a sütőt főzés közben felügyelet nélkül.
Pergamen sütőpapír	Kizárólag az ételek letakarására, az ételek becsomagolására pároláshoz, illetve a sütő belsejének összefröcskölésének megelőzésére használja.
Műanyagok	Kizárólag mikrohullámú sütős használatra alkalmas táányérok és edényeket használjon. Tartsa be a gyártó utasításait. A mikrohullámú sütős használatra alkalmas műanyagoknak a következő egyedi jelzéssel kell rendelkezniük: „Mikrohullámú sütőben használható.” Egyes műanyagok a hosszan tartó hőhatás következtében meglágyulnak. A „főzőzacskókat” és sütőzacskókat fel kell vágni, át kell szűrni, vagy az étel gyártójának utasításai szerint más módon biztosítani kell a szellőzésüket.
Műanyag csomagolófólia	Kizárólag mikrohullámú sütős használatra alkalmas táányérok és edényeket használjon. Az ételek letakarására és az ételek nedvességtartalmának megőrzésére használja. Ügyeljen arra, hogy a műanyag fólia ne érjen hozzá a készülő ételhez.
Hőmérők	Kizárólag mikrohullámú sütős használatra alkalmas hőmérőket használjon. (Húsok, péksütemények és édességek sütésére használatos hőmérők).
Viaszpapír	Az ételek letakarására és az ételek nedvességtartalmának megőrzésére, illetve a sütő belsejének összefröcskölésének megelőzésére használja..

Mikrohullámú sütőben nem használható anyagok

Szerszámok és edények	Megjegyzések
Alumínium tálcák és tepsik	Összezsugorodás veszélye. Helyezze át az ételt mikrohullámú sütőben használható edénybe.
Fémfogantyús ételmiszer tartó és kartondobozok	Összezsugorodás veszélye. Helyezze át az ételt mikrohullámú sütőben használható edénybe.
Fémedények és fémkiegészítőket tartalmazó edények	A fém megakadályozza a mikrohullámú energia átjutását. A fémszegély összezsugorodhat.
Drótkarikák	Összezsugorodás és tűz veszélye a sütőben.
Papírzacskók	Kigyulladhat. Tűz veszélye a sütőben.
Habanyagok	Magas hőmérsékletek hatására a műanyag hab elolvadhat, és tönkretelheti az ételt.
Fa	A fa kiszárad, és főzés közben elrepedhet.

A VEZETŐTÁNYÉR TELEPÍTÉSE



1. Soha ne helyezze be az üvegtányért tetejével lefelé. Az üvegtányérnak mindig szabadon kell forognia.
2. Soha ne használja a sütőt forgóasztal és üvegtányér nélkül.
3. Minden ételt és edényt mindig az üvegtányérra helyezzen.
4. Ha az üvegtányér megreped, vagy megsérül a forgóasztal, kérje szakszerviz segítségét.

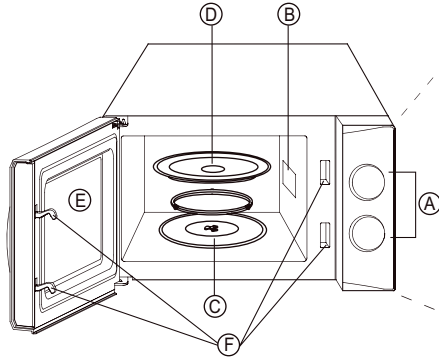
A MIKROHULLÁMÚ SÜTŐ ÖSSZEÁLLÍTÁSA

A sütő egyes részei és tartozékai

Csomagolja ki a sütőt és tartozékait.

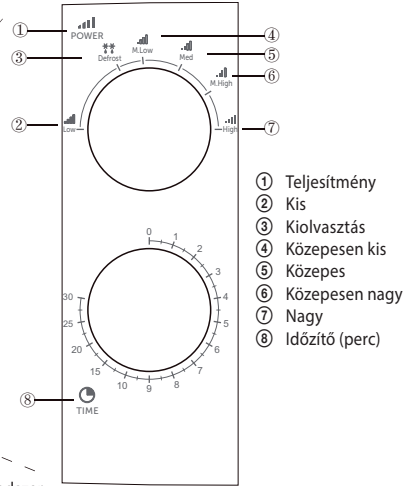
A sütő csomagolása a következő tartozékokat tartalmazza:

Üvegányér	1
Forgóasztal	1
Használati útmutató	1



- A Kapcsolólap
- B Hullámvezető
- C Forgóasztal
- D Üvegányér

- E Kémlelőablak
- F Biztonsági reteszelő rendszer
(Ha főzés közben kinyílik az ajtó, kikapcsolja az áramot.)



- 1 Teljesítmény
- 2 Kis
- 3 Kiolvasztás
- 4 Közepesen kis
- 5 Közepes
- 6 Közepesen nagy
- 7 Nagy
- 8 Időzítő (perc)

TELEPÍTÉS

Távolítsa el az összes csomagolóanyagot, és vegyen ki minden tartozékot.

Ellenőrizze le, hogy a sütő nem sérült (nem nyomódott meg stb.). Ne telepítse a sütőt, ha sérült.

A konyhabútor munkafelülete

Készülékház: Távolítsa el a sütőről az összes védőfóliát.

Ne szedje le a sütő belsejébe csavarozott világosbarna fóliát. Ez a fólia védi a sütő magnetronját.

Telepítés

1. Állítsa a sütőt sima felületre úgy, hogy a szellőző nyílásokat semmi ne takarja el.

A sütő és a legközelebbi fal közötti távolságnak legalább 7,5 cm-nek kell lennie.

Legalább egy oldalnak szabadon kell maradnia.

- a) A sütő fölött legalább 30 cm szabad hely legyen.
- b) Ne szerelje le a sütő lábait.
- c) Ne takarja el a szellőzőnyílásokat. A sütő megsérülhet.
- d) Helyezze a sütőt a lehető legmesszebb a rádió- és tévékészülékektől. A mikrohullámú sütő zavarhatja a tévé és rádiójel vételét.

2. Csatlakoztassa a sütőt az elektromos hálózathoz. Ellenőrizze le, hogy a sütő gyári adatlapján feltüntetett feszültség és frekvencia megegyezik a hálózati feszültséggel és frekvenciával.

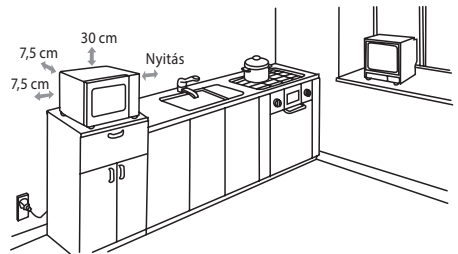
FIGYELEM: Ne telepítse a sütőt konyhai főzőlap fölé, se annak közelébe, se más hőforrás közelébe. Ha a sütőt hőforrás közelébe telepíti, elveszítheti a rá nyújtott jótállást.

A mikrohullámú sütőnek szabadon kell állnia, tilos szekrénybe beépítve használni.

Az üzem során a mikrohullámú sütő felülete felforrósodhat.

A kapcsolólap és funkciói

1. A kezelőgomb (Power) elforgatásával állítsa a sütő teljesítményét a kívánt szintre.
2. A főzési időt az elkészíteni kívánt ételtől függően az időzítőgomb (Time) elforgatásával állítsa be a kívánt intervallumra, (max. 30 perc).
3. A mikrohullámú sütő a teljesítmény és időérték beállítását követően bekapcsol.
4. A beállított időtartam lejártával a sütő kikapcsol.
5. Ha nem használja a sütőt, hagyja az időkapcsolót „0” állásban.



Megjegyzés: Két percnél rövidebb főzés esetén fogassa el az időzítőgombot 2 percnél hosszabb időre, majd állítsa vissza a kívánt értékre.

Funkciók	Teljesítmény	Használat
Low (Kis)	17 %	Fagylaltlágyítás
Defrost (Kiolvasztás)	40 %	Kiolvasztás
M. Low (Közepesen kis)	48 %	Leves főzése, vajolvasztás
Med (Közepes)	66 %	Hús-, halpárolás
M. High (Közep. nagy)	85 %	Rizs, hal, csirke, darált hús
High (Nagy)	100 %	Melegítés, tej, vízforralás, zöldség, italok

PROBLÉMAMEGSZÜNTETÉS

Standard	
A mikrohullámú sütő zavarja a tévé vételét.	A bekapcsolt mikrohullámú sütő zavarhatja a rádió- és televízió vételét. Ez hasonló a kis elektromos fogyasztók, pl. mixer, porszívó és elektromos ventilátor esetében.
A sütőben elhalványul a lámpa fénye.	Kisebb mikrohullámú teljesítmény használata esetén a sütőben elhalványulhat a lámpa fénye.
Az ajtón gőz csapódik le, és a szellőzőnyílásokból forró levegő távozik.	Főzés közben az ételből gőz szállhat fel. A gőz legjava a szellőzőnyílásokon keresztül távozik, de egy része hűvösebb helyeken, mint pl. az ajtón csapódhat ki. Ez standard jelenség.
A sütő véletlenül üres állapotban lett beindítva.	Soha ne kapcsolja be üresen a sütőt. Nagyon veszélyes.

Probléma	Lehetséges ok	Megszüntetés
A sütő nem kapcsolható be.	(1) A csatlakozókábel nincs jól bedugva a konnektorba.	Húzza ki a kábelt a konnektorból. Körülbelül 10 másodperc múlva ismét dugja vissza a konnektorba.
	(2) Kiegyezett a biztosíték vagy lekapcsolt a megszakító.	Cserélje ki a biztosítékot vagy kapcsolja be a megszakítót (a javítást cégünk szerviztechnikusa végezheti el).
	(3) Probléma a konnektorral.	Próbálja ki, hogy a konnektorba más fogyasztót csatlakoztat.
A sütő nem melegít.	(4) Rosszul van bezárva az ajtó.	Zárja be jól az ajtót.
Üzem közben a tányér hangokat ad ki.	(5) A forgóasztal vagy a sütő alja beszennyeződött.	Tisztítsa meg a sütőt a „Tisztítás” fejezetben olvasható utasítások szerint.

MŰSZAKI ADATOK

Térfogat:	20 l	Névleges feszültség:	230 – 240 V~ 50 Hz
Mikrohullámú teljesítmény:	700 W	Névleges teljesítményfelvétel:	1 200 W
Időzítő:	30 perc	Üzemi frekvencia:	2 450 MHz
Beállítható teljesítményszintek száma:	6 szint	Zajszint:	55 dB
Forgótányér:	Ø 245 mm		
Súly:	10,5 kg		
Méreték:	452 × 262 × 330 mm		
A belső tér méretei:	315 × 198 × 297 mm		

HULLADÉKFELHASZNÁLÁS ÉS MEGSEMISÍTÉS

A csomagolópapírt és hullámpapírt adja le hulladékgyűjtő telepen. Csomagolófólia, PE zacskók, műanyag alkatrészek – műanyaggyűjtő szelektív hulladéktároló edénybe.

ÉLETTARTAM LEJÁRTÁT KÖVETŐ MEGSEMISÍTÉS

Használt elektromos és elektronikus készülékek megsemmisítése (érvényes az EU tagállamokban és számos szelektív hulladékgyűjtést végző európai országban)

Ez a terméken vagy csomagolásán található jelzés azt mutatja, hogy a terméket tilos standard háztartási hulladékként megsemmisíteni. A terméket elektromos és elektronikus berendezések újrahasznosítására szakosodott hulladékgyűjtő telepen adja le. A termék helyes megsemmisítésével megelőzi, hogy káros hatást fejtsen ki az emberi egészségre és környezetünkre. Az anyagok újrahasznosítása kíméli a természetes forrásainkat. A termék újrahasznosításával kapcsolatosan bővebb információkat a helyi önkormányzattól, a háztartási hulladékot feldolgozó szervezettől, vagy a termék forgalmazójától kérhet.

Ez a termék megfelel a kifesztültségű berendezések biztonságára és az elektromágneses kompatibilitásra vonatkozó EU irányelveknek.

A készülék használati útmutatója a www.ecg-electro.eu oldalon található.

A szöveg és a műszaki paraméterek megváltoztatásának a joga fenntartva.



08/05



INSTRUKCJE BEZPIECZEŃSTWA

Należy uważnie przeczytać i zachować do wglądu!

Uwaga: Wskazówki i środki bezpieczeństwa w niniejszej instrukcji nie obejmują wszystkich warunków i sytuacji, mogących spowodować zagrożenie. Najważniejszym czynnikiem odpowiadającym za bezpieczne korzystanie z urządzeń elektrycznych jest ostrożność i zdrowy rozsądek. Należy mieć to na uwadze w trakcie obsługi urządzenia. Nie ponosimy odpowiedzialności za szkody powstałe podczas transportu, na skutek nieprawidłowego użytkowania, wahań napięcia oraz zmiany lub modyfikacji którejkolwiek części urządzenia.

Aby zapobiec wzniesieniu ognia lub porażeniu prądem elektrycznym, korzystając z urządzeń elektrycznych należy przestrzegać podstawowych zasad bezpieczeństwa, m.in.:

1. Upewnij się, że napięcie w sieci odpowiada napięciu podanemu na etykiecie urządzenia i że gniazdko jest odpowiednio uziemione. Gniazdko musi być zainstalowane zgodnie z obowiązującymi przepisami zgodnymi z normą EN.
2. Nie należy korzystać z urządzenia, jeżeli nie działa w prawidłowy sposób, uszkodzone są drzwiczki lub przewód zasilający.

OSTRZEŻENIE: Osoby bez odpowiedniego przeszkolenia nie powinny wykonywać żadnych napraw ani konserwacji, przy których zachodzi konieczność demontażu jednej z osłon, chroniących przed promieniowaniem mikrofalowym. Wszelkie naprawy i regulacje, w tym wymianę przewodu zasilającego, należy zlecić w profesjonalnym serwisie! Przed naprawą należy odłączyć przewód zasilający od gniazda. Zdjęcie osłon przy podłączonym przewodzie zasilania grozi obrażeniami na skutek działania energii mikrofalowej lub prądu elektrycznego!

3. Chronić urządzenie przed bezpośrednim kontaktem z wodą i innymi cieczami, aby zapobiec porażeniu prądem elektrycznym. Nie zanurzaj przewodu zasilającego ani wtyczki w wodzie!
4. Nie używaj kuchenki mikrofalowej na zewnątrz lub w wilgotnym środowisku, nie dotykaj urządzenia ani przewodu zasilającego mokrymi rękami. Mogłoby to spowodować porażenie prądem elektrycznym.
5. Należy zachować szczególną ostrożność, jeżeli w pobliżu urządzenia przebywają dzieci.
6. Nie pozostawiaj włączonej kuchenki bez nadzoru.

7. Nie należy pozostawiać piekarnika podłączonego do gniazda zasilania bez nadzoru. Przed czynnościami konserwacyjnymi należy wyjąć wtyczkę przewodu zasilającego z gniazdka. Nie należy wyciągać wtyczki pociągając za kabel. Odłącz kabel chwytając za wtyczkę.
8. Nie używaj kuchenki w pobliżu źródeł ciepła, np. piekarnika. Chroni urządzenie przed promieniowaniem słonecznym.
9. Przewód zasilania nie może dotykać rozgrzanych elementów ani ostrych krawędzi.
10. Aby obniżyć ryzyko pożaru wewnątrz kuchenki, należy przestrzegać poniższych zasad:
 - a) Nie ogrzewaj potraw zbyt długo.
 - b) Przed włożeniem do kuchenki torebek papierowych lub plastikowych usuń z nich wszelkie spinacze.
 - c) Nie podgrzewaj w kuchence oleju ani tłuszczu do smażenia, ponieważ nie można kontrolować ich temperatury. Kuchenka nie służy do smażenia. Gorący olej może uszkodzić kuchenkę i naczynia oraz spowodować oparzenia.
 - d) Po użyciu wytrzyj drzwiczki, uszczelkę i wnętrze kuchenki ściereczką zamoczoną w wodzie z płynem do mycia naczyń, a następnie wytrzyj kuchenkę do sucha. Należy w ten sposób usunąć zanieczyszczenia, tłuszcz i resztki jedzenia.

OSTRZEŻENIE: Jeżeli drzwi (lub ich uszczelka) są uszkodzone, nie wolno używać kuchenki i należy oddać ją do naprawy w profesjonalnym serwisie. Kuchenka powinna być w odpowiedni sposób czyszczona, a resztki żywności powinny być usuwane. Nieutrzymywanie kuchenki w czystości może doprowadzić do uszkodzenia powierzchni, co może negatywnie wpłynąć na okres użytkowania urządzenia i doprowadzić do niebezpiecznych sytuacji. Nagromadzony tłuszcz może się przegrzewać w kuchence i doprowadzić do pożaru. Nie używaj do czyszczenia środków trących. Nie wolno czyścić urządzenia za pomocą myjki parowej.

- e) Jeżeli podgrzewane jedzenie zapali się lub zacznie się z niego wydobywać dym, nie otwieraj kuchenki, ale natychmiast ją wyłącz i wyjmij wtyczkę przewodu zasilającego z gniazdka, aby zapobiec rozprzestrzenianiu się ewentualnego ognia.

f) Nie wolno pozostawiać urządzenia bez nadzoru podczas korzystania z jednorazowych naczyń plastikowych lub innych materiałów łatwopalnych, aby zapobiec zapłonowi.

11. Aby zmniejszyć ryzyko wybuchu lub nagłego zagotowania, należy przestrzegać poniższych zasad:

OSTRZEŻENIE: Płyny i inne potrawy nie mogą być ogrzewane w zamkniętych pojemnikach, ponieważ grozi to wybuchem. Dotyczy to także butelek dziecięcych z zakrętką lub ze smoczkiem.

a) Płyny podgrzewaj w naczyniu z szerokim otworem, a po podgrzaniu nie dotykaj go przez 20 sekund, aby zawartość nie wykipiła i nie wylała się.

b) W kuchence nie wolno podgrzewać jaj w skorupkach, całych jaj ugotowanych na twardo, wody zawierającej tłuszcz lub olej ani zamkniętych naczyń szklanych, które mogłyby wybuchnąć również po zakończeniu ogrzewania. Ziemniaki, parówki i kasztany należy przed włożeniem do kuchenki obrać lub przebić.

c) Ogrzewanie mikrofalowe napojów może spowodować opóźnione wrzenie, z czym należy się liczyć podczas trzymania naczynia.

d) Należy wymieszać lub wstrząsnąć zawartość butelek do karmienia oraz żywności dla dzieci przed podaniem. Należy także sprawdzić temperaturę przed spożyciem, aby uniknąć poparzenia.

12. Po zakończeniu podgrzewania naczynia są bardzo gorące. Należy wyjmować je w rękawicach kuchennych. Gorąca para może spowodować oparzenia rąk i twarzy.

13. Pokrywki naczyń lub folię spożywczą należy zdejmować powoli, z daleka od twarzy. W podobny sposób należy otwierać woreczki z popcornem.

14. Aby uniknąć rozbicia talerza obrotowego:

a) Przed czyszczeniem pozostaw talerz do ostygnięcia.

b) Nie stawiaj na zimnym talerzu gorącego jedzenia ani naczyń.

c) Na gorącym talerzu nie stawiaj mrożonych produktów ani zimnych naczyń.

15. Upewnij się, że naczynia w trakcie podgrzewania nie dotykają wewnętrznych ścian kuchenki.

16. W kuchence nie należy przechowywać pożywienia ani innych przedmiotów. Kuchenka może uruchomić się samoczynnie przy uderzeniu pioruna w sieć elektryczną.

17. Nie włączaj kuchenki, jeżeli nie znajdują się w niej produkty spożywcze. Mogłoby to spowodować jej uszkodzenie. Nie należy zapychać ani blokować otworów wentylacyjnych urządzenia.
18. Stosowanie innych akcesoriów od zalecanych przez producenta grozi utratą gwarancji.
19. Używaj urządzenia tylko zgodnie z zaleceniami zawartymi w niniejszej instrukcji. Urządzenie przeznaczone jest wyłącznie do użytku domowego. Producent nie ponosi odpowiedzialności za szkody powstałe na skutek nieprawidłowego stosowania urządzenia.
20. Kuchenka mikrofalowa przeznaczona jest do podgrzewania żywności i napojów. Suszenie żywności lub odzieży, podgrzewanie poduszek rozgrzewających, obuwia, gąbek do mycia, mokrych ubrań i podobnych przedmiotów może doprowadzić do zranienia lub pożaru.
21. Urządzenie jest przeznaczone do użytku domowego oraz zastosowań takich, jak:
 - aneksy kuchenne w sklepach, biurach i pozostałych miejscach pracy
 - urządzenia stosowane w rolnictwie
 - urządzenia używane przez gości w hotelach, motelach itp.
 - urządzenia używane w przedsiębiorstwach zapewniających nocleg ze śniadaniem.
22. Urządzenie może być użytkowane przez dzieci od lat 8, osoby starsze i osoby o ograniczonych zdolnościach psychofizycznych lub niewystarczającym doświadczeniu i znajomościach, jeżeli są pod nadzorem lub zostały odpowiednio poinstruowane w zakresie bezpiecznego użytkowania urządzenia. Dzieci nie mogą bawić się urządzeniem. Czyszczenie i konserwację można powierzyć dzieciom od 8 lat, ale tylko pod nadzorem.

Nie należy wystawiać się na działanie promieniowania mikrofalowego

1. Nie wolno próbować włączać urządzenia, kiedy otwarte są drzwiczki. Grozi to wystawieniem na szkodliwe promieniowanie mikrofalowe. Nie należy próbować przytrzymywać ani modyfikować zamka bezpieczeństwa drzwiczek.
2. Pomiędzy drzwiczki kuchenki nie należy wkładać żadnych przedmiotów. Na uszczelkach oraz przylegającej do nich powierzchni nie powinno być żadnych śladów brudu ani resztek środków czyszczących.

3. Nie należy próbować uruchamiać uszkodzonego urządzenia. Po zamknięciu drzwiczki powinny być idealnie szczelne.

Przykładowe niebezpieczne uszkodzenie drzwiczek:

- a) WGNIECENIE drzwiczek.
- b) Poluzowane lub ułamane ZAWIASY oraz ZABEZPIECZENIA drzwiczek.
- c) USZCZELKA DRZWI LUB PRZYLEGAJĄCA DO NIEJ POWIERZCHNIA RAMY KUCHENKI.

Napraw i regulacji kuchenki może dokonywać wyłącznie wykwalifikowany specjalista.

4. Podobnie, jak w przypadku innych urządzeń do pieczenia, w trakcie obsługi kuchenki konieczny jest ciągły nadzór, ze względu na zagrożenie pożarowe.

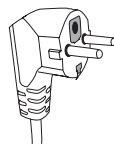
Jeżeli wybuchnie pożar:

1. Nie otwieraj drzwiczek kuchenki.
2. Wyłącz kuchenkę i wyciągnij wtyczkę z gniazdka.
3. Wyłącz główny wyłącznik prądu elektrycznego.

CZYSZCZENIE

Upewnij się, że kuchenka została odłączona od zasilania poprzez wyjęcie wtyczki z gniazdka.

1. Wyczyść wnętrze kuchenki wilgotną szmatką.
2. Umyj akcesoria w wodzie z mydłem.
3. Zanieczyszczoną ramę drzwiczek, uszczelkę i jej okolicę należy ostrożnie oczyścić wilgotną szmatką, zmoczoną w wodzie z niewielką ilością płynu do mycia naczyń, a następnie wytrzeć do sucha.



Kuchenka musi być uziemiona. Wtyczkę przewodu zasilania można podłączyć tylko do odpowiednio uziemionego gniazdka. W razie jakichkolwiek wątpliwości dot. sprawności instalacji el. lub awarii kuchenki należy skorzystać z usług wykwalifikowanego elektryka.

1. Kuchenka mikrofalowa posiada krótki kabel zasilający, aby zmniejszyć ryzyko zapłątania kabla lub przypadkowego zawadzenia.
2. Przedłużacz musi spełniać następujące warunki:
 - a) Wartości nominalne obciążenia elektrycznego przedłużacza i gniazdka muszą odpowiadać wartościom nominalnym kuchenki mikrofalowej.
 - b) Przedłużacz musi być trójżyłowy, a jego wtyczka i gniazdko muszą być uziemione.

- c) Kabel musi być schowany, nie może zwisać z blatu stołu, gdzie łatwo byłoby o niego zawadzić lub przypadkowo wyciągnąć z gniazdka.

PRZYBORY I NACZYNIA

UWAGA

Niebezpieczeństwo urazu

Stosuj wyłącznie naczynia przeznaczone do użytku w kuchenkach mikrofalowych. Szczelnie zamknięte naczynia mogą wybuchnąć w trakcie podgrzewania. Pojemniki należy przed podgrzewaniem otworzyć, a opakowania plastikowe przedziurawić, patrz: Materiały, które mogą i nie mogą być stosowane do podgrzewania produktów w kuchenke mikrofalowej. Oprócz metali są też inne materiały, które nie mogą być używane do podgrzewania produktów spożywczych w kuchenke mikrofalowej. W razie niepewności, czy dany materiał nadaje się do użycia w kuchenke mikrofalowej, należy postępować w poniższy sposób:

Test naczyń kuchennych:

1. Napełnij naczynie zimną wodą (250 ml).
2. Ogrzewaj przez 1 minutę przy maksymalnej mocy kuchenki.
3. Ostrożnie dotknij naczynia i sprawdź jego temperaturę. Jeżeli naczynie jest ciepłe, nie należy używać go do podgrzewania jedzenia w kuchenke mikrofalowej.
4. **Nie należy podgrzewać dłużej niż 1 minutę.**

NIEBEZPIECZEŃSTWO dla dzieci: Dzieci nie powinny bawić się materiałami opakowaniowymi. Nie pozwalaj dzieciom bawić się torbami plastikowymi. Niebezpieczeństwo uduszenia.



Gorąca powierzchnia!

Materiały, które mogą być stosowane w kuchence mikrofalowej

Naczynie	Uwagi
Blachy do pieczenia	Postępuj zgodnie z instrukcjami producenta. Dno naczynia musi znajdować się min. 5 mm nad talerzem obrotowym. W przeciwnym razie talerz obrotowy może pęknąć.
Talercze	Stosuj wyłącznie talerze i naczynia przeznaczone do użytku w kuchenkach mikrofalowych. Postępuj zgodnie z instrukcjami producenta. Nie używaj pękniętych ani uszkodzonych naczyń.
Szklanki i dzbanki ze szkła	Należy zawsze zdjąć pokrywkę/zakrętkę. Produkt można co najwyżej lekko podgrzać. Nie wolno gotować! Większość szklanek i dzbanków ze szkła nie jest odporna na wysokie temperatury i może pęknąć.
Szklane brytfanny	Stosuj wyłącznie brytfanny odporne na działanie wysokiej temperatury. Sprawdź, czy brytfanna nie posiada metalowych elementów. Nie używaj pękniętych ani uszkodzonych naczyń.
Woreczki do pieczenia	Postępuj zgodnie z instrukcjami producenta. Nie zamykaj przy pomocy metalowych klipsów. Należy pozostawić woreczki lekko otwarte, aby para mogła swobodnie wydostać się na zewnątrz.
Talercze papierowe	Nadają się tylko do podgrzania lub krótkiego gotowania. W trakcie podgrzewania nie pozostawiaj urządzenia bez nadzoru.
Serwetki papierowe	Używaj do przykrycia produktów i usunięcia roztopionego tłuszczu. Stosować do krótkotrwałego gotowania. Nie pozostawiać kuchenki bez nadzoru.
Papier do pieczenia	Używaj do przykrycia produktów, do zapakowania w trakcie duszenia i w celu ochrony kuchenki przed zabrudzeniem.
Plastiki	Stosuj wyłącznie talerze i naczynia przeznaczone do użytku w kuchenkach mikrofalowych. Postępuj zgodnie z instrukcjami producenta. Naczynia plastikowe przeznaczone do użytku w kuchenke mikrofalowej muszą posiadać odpowiednie oznaczenie: „Nadaje się do użytku w kuchenke mikrofalowej.” Niektóre plastiki mięknią na skutek długotrwałego oddziaływania wysokiej temperatury. Woreczki do gotowania i pieczenia należy przeciąć, przedziurawić lub w inny sposób umożliwić wydostanie się pary na zewnątrz zgodnie z zaleceniami producenta.
Plastikowa folia opakowaniowa	Stosuj wyłącznie talerze i naczynia przeznaczone do użytku w kuchenkach mikrofalowych. Używaj do przykrycia produktów i zachowania ich wilgotności w trakcie gotowania. Folia plastikowa nie powinna dotykać produktów spożywczych w trakcie podgrzewania.
Termometry	Stosuj wyłącznie termometry przeznaczone do użytku w kuchenkach mikrofalowych. (Termometry do mięsa, pieczywa i ciast).
Papier woskowy	Użyj do przykrycia produktów, w celu zachowania ich wilgotności oraz zapobieżenia zabrudzeniu kuchenki.

Materiały, których nie wolno stosować w trakcie podgrzewania produktów w kuchenke mikrofalowej

Naczynia i przybory	Uwagi
Blachy i tace aluminiowe	Mogłyby zostać zdeformowane. Produkt należy przełożyć do naczynia nadającego się do użytku w kuchenke mikrofalowej.
Kartony i pojemniki na żywność z metalowym uchwytem	Mogłyby zostać zdeformowane. Produkt należy przełożyć do naczynia nadającego się do użytku w kuchenke mikrofalowej.
Naczynia metalowe lub posiadające metalowe elementy	Mikrofały nie przenikają przez metal. Metalowa obwódka może zostać zdeformowana.
Druciane zaciski	Mogłyby zostać zdeformowane i spowodować pożar.
Torebki papierowe	Może dojść do wzniesienia ognia. Istnieje ryzyko pożaru wewnątrz kuchenki.
Naczynia z pianki	Na skutek działania wysokiej temperatury pianka może się rozpuścić i zanieczyścić żywność.
Drewno	Drewno wysusza się i może popękać w trakcie ogrzewania.

ELEMENTY KUCHENKI MIKROFALOWEJ

Nazwy elementów kuchenki i jej wyposażenia

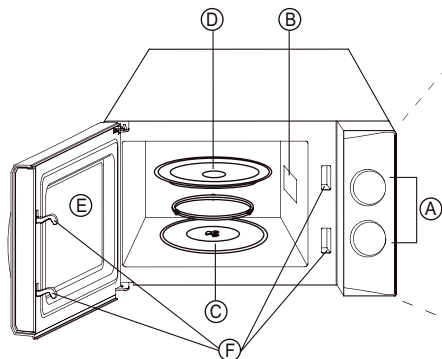
Rozpakuj kuchenkę i towarzyszące jej wyposażenie.

Kuchenka jest dostarczana z następującym wyposażeniem:

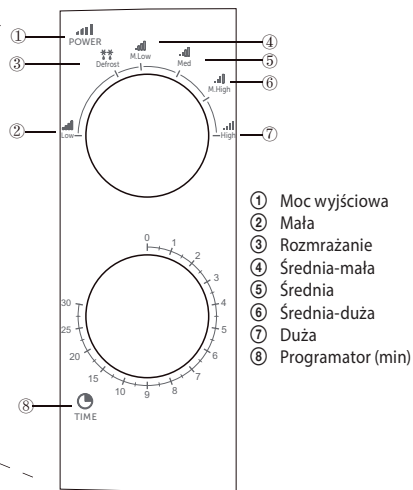
Talerz szklany 1

Zespół kołnierza napędzającego 1

Instrukcja obsługi 1



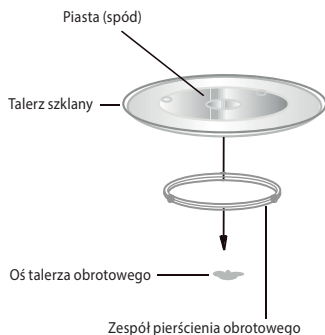
- (A) Panel sterowania
- (B) Falowód
- (C) Zespół kołnierza napędzającego
- (D) Talerz szklany



- (E) Okienko
- (F) Zamek z systemem ochronnym (Odcina dopływ energii elektrycznej w przypadku otwarcia drzwiczek podczas gotowania.)

- ① Moc wyjściowa
- ② Mała
- ③ Rozmrażanie
- ④ Średnia-mała
- ⑤ Średnia
- ⑥ Średnia-duża
- ⑦ Duża
- ⑧ Programator (min)

INSTALACJA TALERZA OBROTOWEGO



1. Nigdy nie wkładać talerza szklanego spodem do góry. Talerz szklany musi się zawsze swobodnie obracać.
2. Nigdy nie używać kuchenki bez kołnierza napędzającego i talerza szklanego.
3. Całe jedzenie i wszystkie pojemniki z jedzeniem należy zawsze kłaść na szklanym talerzu.
4. Jeśli szklany talerz pęknie lub uszkodzeniu ulegnie kołnierz napędzający, należy skontaktować się z najbliższą autoryzowaną stacją serwisową.

INSTALACJA

Usunąć wszystkie materiały opakowaniowe i wyjąć całe wyposażenie.

Sprawdzić, czy kuchenka nie jest w żaden sposób uszkodzona (wgniecione lub uszkodzone drzwiczki itp.). Nie instalować kuchenki, która jest w jakikolwiek sposób uszkodzona.

Na blacie kuchennym

Obudowa kuchenki: Zdjąć z kuchenki wszystkie folie ochronne.

Nie usuwać jasnobrązowej folii przykręconej wewnątrz kuchenki.

Folia ta chroni magnetron w kuchenke.

INSTALACJA

1. Ustawić kuchenkę na płaskim podłożu, tak aby wokół niej pozostała ilość miejsca wystarczająca do właściwego działania otworów wentylacyjnych.

Odległość między kuchenką a ścianą musi wynosić co najmniej 7,5 cm.

Przynajmniej z jednej strony musi pozostawać wolna przestrzeń.

- Pozostawić co najmniej 30 cm wolnego miejsca za kuchenką.
- Nie demontować nóżek kuchenki.
- Nie zakrywać otworów wentylacyjnych. Grozi to uszkodzeniem kuchenki.
- Umieścić kuchenkę maksymalnie daleko od odbiorników radiowych i telewizyjnych. Kuchenka mikrofalowa może zakłócać sygnał telewizyjny i radiowy.

2. Włączyć kuchenkę do standardowego gniazdka sieciowego. Upewnić się, że napięcie i częstotliwość podane na etykiecie na kuchenke są zgodne z napięciem i częstotliwością w sieci.

OSTRZEŻENIE: Nie instalować kuchenki mikrofalową nad kuchenką elektryczną, gazową itp., w pobliżu takiej kuchenki ani w pobliżu innych źródeł ciepła. Umieszczenie kuchenki w pobliżu źródła ciepła grozi jej uszkodzeniem i utratą gwarancji.

Kuchenka mikrofalowa nie jest przeznaczona do użytku w zabudowie; nie wolno jej umieszczać w szafce itp.

Podczas działania kuchenki może się nagrzewać jej powierzchnia.

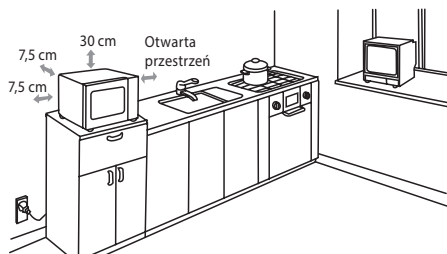


Panel sterowania i funkcje

- Nastaw moc wyjściową kuchenki, obracając regulator mocy (Power) dożądanego poziomu.
- Nastaw czas gotowania, obracając programator (Time) dożądanego położenia, zależnego od przygotowywanej potrawy (maks. 30 minut).
- Po nastawieniu mocy wyjściowej i czasu kuchenka automatycznie rozpoczyna gotowanie.
- Po upływie czasu gotowania kuchenka wyłącza się.
- Programator nieużywanej kuchenki powinien być nastawiony na „0”.

Uwaga: Aby nastawić czas gotowania krótszy niż dwie minuty, należy obrócić programator poza oznaczenie „2 minuty” i cofnąć go dożądaney wartości.

Funkcje	Moc wyjściowa	Zastosowanie
Low (Mała)	17 %	Zmiękczenie lodów
Defrost (Rozmrażanie)	40 %	Rozmrażanie
M. Low (Średnia-mała)	48 %	Przygotowanie zup, zmiękczenie masła
Med (Średnia)	66 %	Duszenie mięsa, ryb
M. High (Średnia-duża)	85 %	Ryż, ryby, kurczak, mięso mielone
High (Duża)	100 %	Grzanie mleka, gotowanie wody, warzywa, napoje



ROZWIĄZYWANIE PROBLEMÓW

Ogólne	
Kuchenka mikrofalowa zakłóca odbiór telewizji.	Pracująca kuchenka może zakłócać odbiór radia i telewizji. Zakłócenia te są podobne do wytwarzanych przez małe urządzenia elektryczne, takie jak miksery, odkurzacze i wentylatory elektryczne.
Światło wewnątrz kuchenki przygasa.	Przy nastawionej mniejszej mocy wyjściowej światło wewnątrz kuchenki może przygasać.
Na drzwiczkach skrapla się para, z otworów wydostaje się gorące powietrze.	Podczas gotowania, z potrawy może się wydobywać para. Wydostaje się ona w większości przez otwory wentylacyjne, ale może się częściowo osadzać na chłodniejszych elementach, takich jak drzwiczki. Jest to normalne.
Kuchenka została przypadkowo włączona pusta.	Nie wolno włączać pustej kuchenki. Jest to bardzo niebezpieczne.

Problem	Możliwa przyczyna	Rozwiązanie
Nie można włączyć kuchenki.	(1) Przewód zasilający nie jest starannie włączony do gniazdka sieciowego.	Wyłączyć przewód z gniazdka. Po mniej więcej 10 sekundach ponownie włączyć przewód zasilający do gniazdka sieciowego.
	(2) Przepalił się bezpiecznik lub zadziałał wyłącznik obwodu.	Wymienić bezpiecznik lub włączyć obwód wyłącznikiem. (Jeśli problem będzie się powtarzał, zlecić naprawę technikowi z naszej firmy.)
	(3) Problem z gniazdkiem sieciowym.	Spróbować włączyć do tego gniazdka inne urządzenie elektryczne.
Kuchenka nie grzeje.	(4) Niewłaściwie zamknięte drzwiczki.	Prawidłowo zamknij drzwiczki.
Podczas pracy kuchenki słychać odgłosy poruszania się talerza szklanego.	(5) Obrótowa podstawa lub spód kuchenki są bardzo brudne.	Wyczyścić kuchenkę zgodnie z opisem z rozdziału „Czyszczenie”.

INFORMACJE TECHNICZNE

Pojemność:	20 l	Napięcie nominalne:	230 — 240 V~ 50 Hz
Moc wyjściowa mikrofal:	700 W	Nominalna moc wejściowa:	1200 W
Programator czasu:	30 minut	Częstotliwość robocza:	2450 MHz
Dostępne poziomy mocy:	6 poziomów	Poziom głośności:	55 dB
Talerz obrotowy:	Ø 245 mm		
Waga:	10,5 kg		
Wymiary:	452 × 262 × 330 mm		
Wymiary przestrzeni wewnętrznej:	315 × 198 × 297 mm		

EKSPLLOATACJA I USUWANIE ODPADÓW

Papier służący do owinięcia i tektura falista – przekazać na wysypisko śmieci. Folia opakowaniowa, torby PE, elementy z plastiku – wrzucić do pojemników z plastikiem do recyklingu.

USUWANIE PRODUKTÓW PO ZAKOŃCZENIU EKSPLOATACJI

Usuwanie zużytego sprzętu elektrycznego i elektronicznego (dotyczy krajów członkowskich UE i innych krajów europejskich z wprowadzonym systemem zbiórki odpadów)

Przedstawiony symbol na produkcie lub opakowaniu oznacza, że produkt nie może być zaliczany do odpadów komunalnych. Należy go przekazać do odpowiedniego punktu zajmującego się recyklingiem sprzętu elektrycznego i elektronicznego. Prawidłowy recykling produktu zabiega negatywnym konsekwencjom dla zdrowia ludzkiego i środowiska naturalnego.

Recykling przyczynia się do zachowania surowców naturalnych. W celu uzyskania dalszych informacji o recyklingu tego produktu należy się skontaktować z lokalnymi władzami, krajową organizacją zajmującą się przetwarzaniem odpadów lub sklepem, który sprzedał produkt.

Produkt spełnia wymagania dyrektyw UE w zakresie kompatybilności elektromagnetycznej i bezpieczeństwa urządzeń elektrycznych.

Instrukcja obsługi jest dostępna na stronie internetowej www.ecg-electro.eu.

Zastrzegamy sobie prawo do zmiany tekstu i parametrów technicznych.



08/05



BEZPEČNOSTNÉ POKYNY

Čítajte pozorne a uschovajte na budúcu potrebu!

Varovanie: Bezpečnostné opatrenia a pokyny uvedené v tomto návode nezahŕňajú všetky možné podmienky a situácie, ku ktorým môže dôjsť. Používateľ musí pochopiť, že faktorom, ktorý nie je možné zabudovať do žiadneho z výrobkov, je zdravý rozum, opatrnosť a starostlivosť. Tieto faktory teda musia byť zaistené používateľom/používateľmi používajúcimi a obsluhujúcimi toto zariadenie. Nezodpovedáme za škody spôsobené počas prepravy, nesprávnym používaním, kolísaním napätia alebo zmenou či úpravou akejkolvek časti zariadenia.

Aby nedošlo k vzniku požiaru alebo k úrazu elektrickým prúdom, mali by sa pri používaní elektrických zariadení vždy dodržiavať základné opatrenia, vrátane tých nasledujúcich:

1. Uistite sa, že napätie vo vašej zásuvke zodpovedá napätiu uvedenému na štítku zariadenia a že je zásuvka riadne uzemnená. Zásuvka musí byť inštalovaná podľa platnej elektrotechnickej normy podľa EN.
2. Rúru nikdy nepoužívajte, ak sú poškodené dvierka, rúra nefunguje správne alebo ak je prírodný kábel poškodený.

VÝSTRAHA: Je nebezpečné pre akúkoľvek osobu inú než preškolenú, aby robila akékoľvek opravy alebo údržbu vedúcu k odstráneniu ľubovoľného krytu, ktorý zaisťuje ochranu pred žiarením mikrovlnnej energie. Všetky opravy alebo nastavenia vrátane výmeny napájacieho prívodu zverte odbornému servisu! Pred opravou musí byť odpojený sieťový prívod zo zásuvky. Odstránením krytov so zapojeným sieťovým prívodom môžete vystaviť nebezpečenstvu zasiahnutia mikrovlnnou energiou a elektrickým prúdom servisného technika!

3. Chráňte spotrebič pred priamym kontaktom s vodou a inými tekutinami, aby nedošlo k prípadnému úrazu elektrickým prúdom. Neponárajte prírodný kábel alebo vidlicu do vody!
4. Nepoužívajte mikrovlnnú rúru vonku alebo vo vlhkom prostredí ani sa nedotýkajte prírodného kábla alebo spotrebiča mokrymi rukami. Hrozí nebezpečenstvo úrazu elektrickým prúdom.
5. Dbajte na zvýšenú pozornosť, ak používate rúru v blízkosti detí.
6. Mikrovlnná rúra by nemala byť ponechaná počas chodu bez dozoru.

7. Odporúčame nenechávať rúru so zasunutým prívodným káblom v zásuvke bez dozoru. Pred údržbou vytiahnite prívodný kábel zo sieťovej zásuvky. Vidlicu nevyťahujte zo zásuvky ťahaním za kábel. Kábel odpojte od zásuvky uchopením za vidlicu.
8. Nepoužívajte mikrovlnnú rúru v blízkosti zdroja tepla, napr. platničky sporáka. Chráňte ju pred priamym slnečným žiarením.
9. Prívodný kábel sa nesmie dotýkať horúcich častí ani viesť cez ostré hrany.
10. Riziko vzniku požiaru vnútri rúry obmedzíte nasledovne:
 - a) Jedlo neprehrievajte.
 - b) Pred umiestnením papierových alebo plastových vrecúšok do rúry z nich odstráňte sponky.
 - c) Nerozohrievajte olej alebo tuk na smaženie v rúre, pretože teplotu oleja nie je možné regulovať. V rúre nesmažte potraviny. Horúci olej môže poškodiť časti rúry a kuchynské nádoby a tiež spôsobiť popáleniny.
 - d) Po použití utrite dvierka, tesnenie dvierok a vnútorný priestor rúry utierkou navlhčenou v roztoku saponátu a vytrite do sucha. Tým odstránite všetky nečistoty, mastnotu a prípadné zvyšky pokrmu.

VÝSTRAHA: Ak sú dvierka alebo tesnenie dvierok poškodené, nesmie byť rúra používaná, kým nebude opravená preškolenou osobou. Rúra by mala byť správne čistená a prípadné zvyšky pokrmu odstránené. Neudržiavanie rúry v čistote by mohlo viesť k poškodeniu povrchu, ktoré by mohlo nepriaznivo ovplyvniť životnosť spotrebiča a mať za následok vznik nebezpečnej situácie. Navršená mastnota by sa mohla prehriať a mohol by tak vzniknúť následne požiar. Na čistenie nepoužívajte abrazívne prostriedky. Spotrebič sa nesmie čistiť parným čističom.

- e) Pokiaľ by sa z upravovaného pokrmu vnútri rúry začalo dymiť alebo by sa vznietil, nechajte dvierka rúry zatvorené, rúru vypnite a vytiahnite vidlicu napájacieho prívodu zo zásuvky, aby sa zabránilo rozšíreniu prípadného ohňa.
 - f) V prípade použitia jednorazových nádob z plastu, papiera alebo iných horľavých materiálov nesmiete rúru nechať bez dozoru, aby nedošlo k vznieteniu.
11. Riziko výbuchu alebo náhleho varu obmedzíte takto:

VÝSTRAHA: Kvapaliny a iné pokrmy sa nesmú ohrievať vo vzduchotesne uzatvorených nádobách, pretože sú náchylné na explóziu. Za uzatvorené

nádoby sa považujú i detské fľaše so skrutkovacím uzáverom alebo s cumlíkom.

- a) Na ohrev tekutín použite nádobu so širokým hrdlom a po ohreve ju nechajte 20 sekúnd odstáť, aby nedošlo k jej erupčivému varu.
 - b) Vajcia v škrupinke, celé natvrdo uvarené vajcia, voda obsahujúca tuk alebo olej a uzatvorené sklenené nádoby sa nesmú v mikrovlnnej rúre ohrievať, pretože môžu explodovať, a to aj po ukončení mikrovlnného ohrevu. Zemiaky, párky alebo gaštany musíte pred vložením do rúry olúpať alebo prepichnúť.
 - c) Mikrovlnný ohrev nápojov môže spôsobiť oneskorený var, s čím sa musí počítať pri držaní nádoby.
 - d) Obsah dojčenských fliaš a detskej stravy musí byť pred podávaním premiešaný alebo pretrepaný a musí sa skontrolovať jeho teplota pred konzumáciou, aby sa zabránilo popáleniu.
12. Po dokončení varenia sú nádoby veľmi horúce. Na ich vyberanie používajte lapky. Pozor na popáleniny tváre a rúk spôsobené kontaktom s horúcou parou.
13. Vždy pomaly nadvihujte najvzdialenejší okraj veka alebo potravinovej fólie. Vrecúška s popcornom a vrecúška na pečenie otvárajte v dostatočnej vzdialenosti od tváre.
14. Aby sa nerozbil otočný tanier:
- a) Pred čistením nechajte otočný tanier vychladnúť.
 - b) Na studený otočný tanier nekladte žiadne horúce pokrmy ani nádoby.
 - c) Na horúci otočný tanier nekladte zmrazené potraviny alebo studené nádoby.
15. Uistite sa, že sa nádoby počas varenia nedotýkajú vnútorných stien rúry.
16. Vnútri rúry neskladujte potraviny ani iné predmety. Pokiaľ dôjde k zasiahnutiu elektrickej siete bleskom, môže dôjsť k samovoľnému zapnutiu rúry.
17. Rúru nepoužívajte, pokiaľ vnútri nie sú žiadne tekutiny ani potraviny. Takto by ste mohli rúru poškodiť. Neblokujte a neupchávajte ventilačné otvory rúry.
18. Nepoužívajte príslušenstvo, ktoré nie je odporúčané výrobcom, inak sa vystavujete riziku straty záruky.
19. Používajte mikrovlnnú rúru iba v súlade s pokynmi uvedenými v tomto návode. Táto mikrovlnná rúra je určená iba na domáce použitie. Výrobca nezodpovedá za škody spôsobené nesprávnym použitím tohto spotrebiča.

20. Mikrovlnná rúra je určená na ohrev potravín a nápojov. Sušenie potravín alebo odevov a ohrev ohrievacích podušiek, domácej obuvi, umývacích húb, vlhkého textilu a podobných vecí môže viesť k nebezpečenstvu poranenia, vznieteniu alebo požiaru.
21. Tento spotrebič je určený na použitie v domácnosti a podobných priestoroch, ako sú:
- kuchynské kúty v obchodoch, kanceláriách a ostatných pracovných prostrediach
 - spotrebiče používané v poľnohospodárstve
 - spotrebiče používané hosťami v hoteloch, moteloch a iných obytných prostrediach
 - spotrebiče používané v podnikoch zaisťujúcich nocľah s raňajkami.
22. Tento spotrebič môžu používať deti staršie ako 8 rokov a osoby so zníženými fyzickými či mentálnymi schopnosťami alebo s nedostatkom skúseností a znalostí, ak sú pod dozorom alebo boli poučené o používaní spotrebiča bezpečným spôsobom a rozumejú nebezpečenstvám pri nesprávnom používaní. Deti sa so spotrebičom nesmú hrať. Čistenie a údržbu vykonávanú používateľom nesmú vykonávať deti, ak nie sú staršie ako 8 rokov a pod dozorom.

Nevystavujte sa zbytočne prílišnému mikrovlnnému žiareniu.

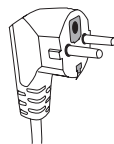
1. Nesnažte sa uviesť mikrovlnnú rúru do prevádzky, ak sú dvierka rúry otvorené. Môžete sa tak vystaviť škodlivému mikrovlnnému žiareniu. Nesnažte sa porušiť alebo pridržovať bezpečnostné zámky dvierok rúry.
2. Nevkladajte žiadne cudzie predmety medzi dvierka rúry. Dbajte na to, aby sa na tesnení dvierok rúry a na tesniacich plochách neusadzovala špina alebo zvyšky čistiacich prostriedkov.
3. Nesnažte sa uviesť rúru do prevádzky, ak je poškodená. Je nutné, aby dvierka rúry po uzatvorení dokonale doľahli a neboli nijako poškodené.
Príklady nebezpečného poškodenia dvierok:
 - a) PRETLAČENIE dvierok rúry.
 - b) Uvoľnené alebo zlomené upevňovacie PÁNTY či POISTKY dvierok.
 - c) TESNENIE DVIEROK ALEBO TESNIACE PLOCHY ČELA RÁMU RÚRY.
 Iba kvalifikovaná osoba smie mikrovlnnú rúru nastavovať alebo opravovať.
4. Ako pri väčšine prístrojov určených na pečenie je na zníženie rizika vzniku ohňa v priestore rúry nutný prísny dozor.

Pokiaľ dôjde k požiaru:

1. Neotvárajte dvere rúry.
2. Vypnite rúru a vyťahnite vidlicu zo zásuvky.
3. Vypnite hlavný vypínač rozvodu elektrického prúdu.

ČISTENIE

Uistite sa, že ste odpojili rúru od prívodu elektrickej energie vyťahnutím vidlice napájacieho prívodu zo zásuvky.



1. Použite vlhkú handričku a očistite vnútro rúry.
2. Očistite príslušenstvo obvyklým spôsobom v mydlovej vode.
3. Znečistený rám dvierok, tesnenia a susedné časti sa musia opatrne čistiť vlhkou handričkou namočenou v roztoku saponátu a potom vytrieť do sucha.

Rúra musí byť uzemnená. Vidlica napájacieho prívodu smie byť zapojená iba do zásuvky, ktorá je náležite uzemnená. V prípade akýchkoľvek pochybností o správnosti el. inštalácie alebo pri poruchách rúry sa obráťte na kvalifikovaného elektrikára alebo servisného technika.

1. Mikrovlnná rúra je vybavená krátkym prívodným káblom, aby sa znížilo riziko úrazu zakopnutia alebo zamotania.
2. Dlhý predlžovací kábel musí spĺňať tieto požiadavky:
 - a) Z hľadiska povoleného elektrického zaťaženia musia menovité hodnoty predlžovacieho kábla a zásuvky zodpovedať menovitým hodnotám mikrovlnnej rúry.
 - b) Predlžovací kábel musí byť trojžilový a vidlica i zásuvka musia byť vybavené uzemňovacím kolíkom.
 - c) Kábel musí byť dobre uschovaný, aby nevisel zbytočne prevesený cez pracovnú dosku kuchynskej linky a aby nemohlo dôjsť k zakopnutiu alebo k vyťahnutiu kábla deťmi.

NÁSTROJE A RIADY

UPOZORNENIE

Nebezpečenstvo úrazu

Používajte iba nádoby, ktoré sú vhodné na použitie v mikrovlnných rúrach. Tesne uzatvorené nádoby môžu pri varení explodovať. Uzatvorené nádoby musia byť pred varením otvorené a plastové obaly prepichnuté, pozrite Materiály, ktoré môžu a nemôžu byť použité pri varení v mikrovlnnej rúre. Existujú niektoré nekovové materiály, ktoré nemôžu byť bezpečne používané

pri varení v mikrovlnnej rúre. Ak si nie ste istí, či je možné materiál bezpečne použiť pri varení v mikrovlnnej rúre, postupujte nasledovne:

Test kuchynského riadu:

1. Nádobu určenú na varenie v mikrovlnnej rúre naplňte studenou vodou (250 ml).
2. Varte 1 minútu pri maximálnom výkone rúry.
3. Opatrne skúste teplotu skúšaného riadu. Pokiaľ je skúšaný riad teplý, nepoužívajte ho pri varení v mikrovlnnej rúre.
4. **Nevarte dlhšie než 1 minútu.**

NEBEZPEČENSTVO pre deti: Deti sa nesmú hrať s obalovým materiálom. Nenechajte deti hrať sa s plastovými vreckami. Nebezpečenstvo udusenia.



Horúci povrch!

Materiály, ktoré môžete použiť v mikrovlnnej rúre

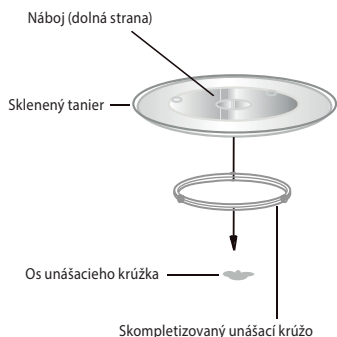
Riad	Poznámky
Zapekacie plechy	Riadte sa pokynmi výrobcu. Dno nádoby na pečenie musí byť aspoň 5 mm nad otočným tanierom. Nesprávne zaobchádzanie môže mať za následok prasknutie otočného taniera.
Taniere	Používajte iba taniere a riad určený na použitie v mikrovlnných rúrach. Riadte sa pokynmi výrobcu. Nepoužívajte prasknuté alebo inak poškodené misy.
Sklenené poháre a džbány	Vždy snímte tesniace viečko. Jedlo iba ohrejte. Nevarte! Väčšina sklenených džbánov a pohárov neodoláva vysokým teplotám a môže dôjsť k prasknutiu.
Sklenené zapekacie misy	Používajte iba sklenené zapekacie misy odolávajúce vysokým teplotám. Presvedčte sa, že misa nemá kovový lem alebo iný kovový doplnok. Nepoužívajte prasknuté alebo inak poškodené misy.
Zapekacie vrecká	Riadte sa pokynmi výrobcu. Neuzatvárajte kovovými sponami. Ponechajte spoj vaku pootvorený, aby mohli horúce pary voľne unikat.
Papierové vrecká	Vhodné iba na ohrievanie alebo krátke varenie. Nenechávajú rúru počas varenia bez dozoru.
Papierové utierky	Používajte na prikrytie pokrmov a na odsatie rozpusteného tuku. Používajte iba na krátkodobé varenie. Nenechávajú počas varenia bez dozoru.
Pergamenový zapekací papier	Používajte na prikrytie pokrmov, na zabalenie pokrmov počas dusenia a ako zábranu proti ostriekaniu rúry.
Plastové materiály	Používajte iba taniere a riad určený na použitie v mikrovlnných rúrach. Riadte sa pokynmi výrobcu. Plastový materiál vhodný na použitie v mikrovlnnej rúre musí mať špecifické označenie: „Vhodný pre mikrovlnnú rúru“. Niektoré plasty mäknu v dôsledku dlhodobého pôsobenia vysokých teplôt. „Varné vrecká“ a zapekacie vaky musia byť prerezané, prepichnuté alebo inak odvetrané podľa návodu výrobcu pokrmu.
Plastové obalovacie fólie	Používajte iba taniere a riad určený na použitie v mikrovlnných rúrach. Používajte ich na prikryvanie pokrmov a na udržanie vlhkosti pokrmu počas varenia. Dbajte na to, aby sa plastová fólia nedotýkala pripravovaného pokrmu.

Riad	Poznámky
Teplomery	Používajte iba teplomery vhodné na používanie v mikrovlnných rúrach. (Teplomery na mäso, pečivo a cukrovinky.)
Voskovaný papier	Používajte na prikrytie pokrmov, ako zábranu proti ostriekaniu rúry a na udržanie vlhkosti pokrmu počas varenia.

Materiály, ktoré nemôžu byť používané pri varení v mikrovlnnej rúre

Nástroje a riad	Poznámky
Hliníkové podnosy a plechy	Hrozí nebezpečenstvo skrútenia. Premiestite pokrm do nádoby vhodnej na varenie v mikrovlnných rúrach.
Potravinové a kartónové škatule s kovovým držadlom	Hrozí nebezpečenstvo skrútenia. Premiestite pokrm do nádoby vhodnej na varenie v mikrovlnných rúrach.
Kovový riad a riad s kovovými doplnkami	Kov zabraňuje prenikaniu mikrovlnnej energie. Kovový lem sa môže skrútiť.
Drôtené zatváracie krúžky	Hrozí nebezpečenstvo skrútenia a požiaru vo vnútri rúry.
Papierové vrecká	Môže dôjsť k zapáleniu. Hrozí nebezpečenstvo požiaru vo vnútri rúry.
Penové materiály	Pôsobením vysokých teplôt sa plastová pena môže rozpustiť a znehodnotiť pokrm.
Drevo	Drevo sa vysušuje a môže počas varenia prasknúť.

INŠTALÁCIA UNÁŠACIEHO TANIERA



1. Nikdy nekladte sklenený tanier dnom nahor. Sklenený tanier sa musí vždy voľne otáčať.
2. Nepoužívajte rúru bez unášacieho krúžka a skleneného taniera.
3. Všetky pokrmy a nádoby s jedlom musia byť vždy kladené na sklenený tanier.
4. Ak dôjde k prasknutiu skleneného taniera alebo k poškodeniu unášacieho krúžka, kontaktujte najbližší autorizovaný servis.

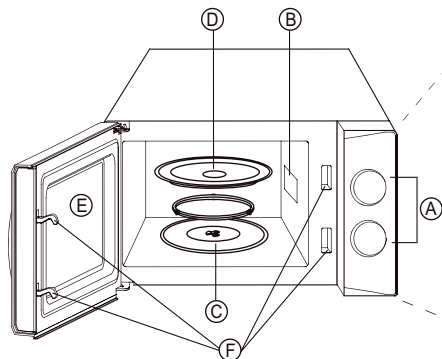
ZOSTAVENIE MIKROVLNNEJ RÚRY

Názvy častí rúry a príslušenstva

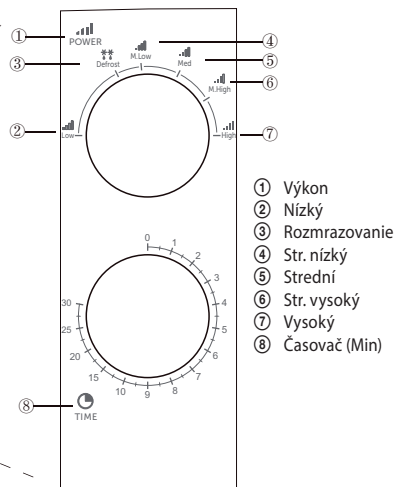
Vybalte rúru a všetko príslušenstvo.

Rúra je dodávaná s nasledujúcim príslušenstvom:

- Sklenený tanier 1
- Skompletizovaný unášač krúžok 1
- Návod na obsluhu 1



- (A) Ovládací panel
- (B) Vlnovod
- (C) Skompletizovaný unášač krúžok
- (D) Sklenený tanier
- (E) Pozorovacie okienko
- (F) Bezpečnostný uzamykací systém (Vypne prívod elektrickej energie, ak dôjde k otvoreniu dveriek počas varenia.)



- ① Výkon
- ② Nizký
- ③ Rozmrazovanie
- ④ Str. nízky
- ⑤ Strední
- ⑥ Str. vysoký
- ⑦ Vysoký
- ⑧ Časovač (Min)

INŠTALÁCIA

Odstáňte všetok baliaci materiál a vyberte všetko príslušenstvo.

Skontrolujte, či rúra nie je nejako poškodená (preličené alebo poškodené dverka a podobne). Neinštalujte rúru, ak je akokoľvek poškodená.

Pracovná doska kuchynskej linky

Teleso rúry: Odstáňte všetku ochrannú fóliu z povrchu rúry.

Neodstraňujte svetlohnedú fóliu, ktorá je priskrutkovaná vnútri rúry. Táto fólie chráni magnetrón rúry.

Inštalácia

1. Rúru umiestnite na rovný povrch, ktorý zaručuje dostatočne voľný priestor na správnu funkciu vetracích otvorov.

Medzi rúrou a najbližšou stenou musí byť minimálna vzdialenosť 7,5 cm.

Aspoň jedna strana musí byť voľná.

- a) Ponechajte aspoň 30 cm voľného priestoru nad rúrou.
- b) Neodstraňujte nôžky rúry.
- c) Neblokujte vetracie otvory. Môže dôjsť k poškodeniu rúry.
- d) Umiestnite rúru čo možno najďalej od rozhlasového a televízneho prijímača. Mikrovlnná rúra môže spôsobovať rušenie televízneho a rozhlasového signálu.

2. Zapojte rúru do štandardnej elektrickej siete. Uistite sa, že uvedená hodnota napätia a frekvenčný kmitočet na štítku rúry sa zhoduje s hodnotou napätia a frekvenčným kmitočtom v sieti.

UPOZORNENIE: Neinštalujte rúru nad kuchynskou varnou doskou ani v jej blízkosti alebo v blízkosti iného tepelného zariadenia. Umiestnenie rúry v blízkosti tepelného zariadenia môže mať za následok poškodenie rúry a zrušenie platnosti záruky.

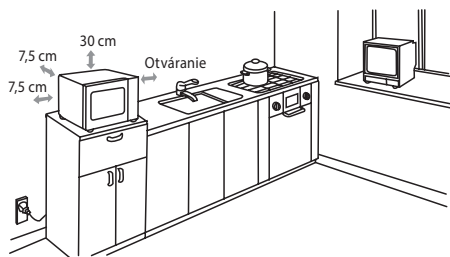
Mikrovlnná rúra je určená na používanie vo voľnom priestore a nesmie sa umiestňovať do skrinky.

Počas prevádzky môže byť povrch mikrovlnnej rúry horúci.



Ovládací panel a funkcie

1. Nastavte výkon rúry otočením ovládača (Power) na požadovaný stupeň.
2. Dĺžku varenia nastavte otočením časovača (Time) na požadovaný interval v závislosti na pripravovanom jedle (max. 30 minút).



- Mikrovlnná rúra po nastavení výkonu a času automaticky spustí varenie.
- Po uplynutí nastavenej dĺžky varenia sa rúra vypne.
- Ak rúru nepoužívate, nechávajte časovač nastavený na „0“.

Poznámka: Ak chcete zvoliť čas varenia kratší ako 2 minúty, nastavte ovládačom najprv čas vyšší ako 2 minúty a potom ho vráťte na požadovanú hodnotu.

Funkcia	Výkon	Použitie
Low (Nízky)	17 %	Zmäknutie zmrzliny
Defrost (Rozmrazovanie)	40 %	Rozmrazovanie
M. Low (Str. nízky)	48 %	Príprava polievky, zmäknutie masla
Med (Strední)	66 %	Dusenie mäsa, ryby
M. High (Str. vysoký)	85 %	Ryža, ryby, kura, mleté mäso
High (Vysoký)	100 %	Ohrev, mlieko, vrenie vody, zelenina, nápoje

ODSTRAŇOVANIE PROBLÉMOV

Bežné	
Mikrovlnná rúra ruší príjem televízie.	Mikrovlnná rúra v chode môže rušiť príjem rádia a televízie. Je to podobné rušeniu malých elektrických spotrebičov ako mixér, vysávač a elektrický ventilátor.
Svetlo v rúre sa stlmí.	Pri použití nižšieho výkonu mikrovln sa môže svetlo v rúre stlmíť.
Na dvierkach sa hromadí para, z prieduchov vychádza horúci vzduch.	Pri varení môže z jedla vychádzať para. Väčšina pary odíde vetracími otvormi, ale časť sa môže nahromadiť na chladnejšom mieste, akým sú dvierka. Tento jav je normálny.
Rúra bola omylom spustená prázdna.	Rúru nesmiete zapínať prázdnu. Je to veľmi nebezpečné.

Problém	Možná príčina	Náprava
Rúru nie je možné zapnúť.	(1) Prívodný kábel nie je pevne zastrčený v zásuvke.	Vytiahnite kábel zo zásuvky. Zhruba po 10 sekundách kábel znovu zastrčte do zásuvky.
	(2) Vyhorela poistka alebo vypadol istič.	Vymeňte poistku alebo zapnite istič (opravuje servisný technik z našej spoločnosti).
	(3) Problém so zásuvkou.	Skúste do zásuvky zapojiť iné elektrické zariadenie.
Rúra nehreje.	(4) Dvierka nie sú správne zatvorené.	Dobre zavrite dvierka.
Sklenený tanier vydáva zvuky, keď je mikrovlnná rúra v chode.	(5) Otočná podložka alebo dno rúru sú znečistené.	Očistite rúru podľa pokynov v kapitole „Čistenie“.

TECHNICKÉ ÚDAJE

Objem:	20 l
Mikrovlnný výkon:	700 W
Časovač:	30 minút
Nastavenie výkonu:	6 úrovní
Otočný tanier:	Ø 245 mm
Hmotnosť:	10,5 kg
Rozmery:	452 × 262 × 330 mm
Rozmery vnútorného priestoru:	315 × 198 × 297 mm

Menovité napätie:	230 – 240 V~ 50 Hz
Menovitý príkon:	1 200 W
Prevádzková frekvencia:	2 450 MHz
Hlučnosť:	55 dB

VYUŽITIE A LIKVIDÁCIA OBALOV

Baliaci papier a vlnitá lepenka – odovzdajte do zberných surovín. Prebalová fólia, PE vrecká, plastové diely – vyhadzujte do kontajnerov na plasty.

LIKVIDÁCIA VÝROBKU PO SKONČENÍ ŽIVOTNOSTI

Likvidácia použitých elektrických a elektronických zariadení (platí v členských krajinách EÚ a ďalších európskych krajinách so zavedeným systémom triedenia odpadu)

Vyobrazený symbol na produkte alebo na obale znamená, že s produktom by sa nemalo nakladať ako s domovým odpadom. Produkt odovzdajte na miesto určené na recykláciu elektrických a elektronických zariadení. Správnou likvidáciou produktu zabránite negatívnym vplyvom na ľudské zdravie a životné prostredie. Recyklácia materiálov prispieva k ochrane prírodných zdrojov. Viac informácií o recyklácii tohto produktu vám poskytne obecný úrad, organizácia na spracovanie domového odpadu alebo predajné miesto, kde ste produkt kúpili.



08/05



Tento výrobok spĺňa požiadavky smerníc EÚ o elektromagnetickej kompatibilite a elektrickej bezpečnosti.

Návod na obsluhu je k dispozícii na webových stránkach www.ecg.sk.

Zmena textu a technických parametrov vyhradená.

VARNOSTNI NAPOTKI

Pazljivo preberite in shranite za morebitno kasnejšo uporabo!

Svarilo: Varnostni ukrepi in navodila ne zajemajo vseh možnih razmer in nevarnosti, do katerih lahko pride. Uporabnik se mora zavedati, da varnostnih napotkov, kot so previdno, skrbno in razumno ravnanje ni mogoče vgraditi v izdelek. Zato mora uporabnik/uporabniki te naprave sam zagotoviti vse varnostne ukrepe. Nismo odgovorni za škodo, ki bi nastala med prevozom, zaradi nepravilne uporabe, zaradi nihanja napetosti ali zaradi spremembe ali zamenjave kateregakoli dela naprave.

Da ne bi prišlo do požara ali poškodbe zaradi udara elektrike, morate pri uporabi električnih naprav vedno upoštevati osnovna varnostna navodila, med katerimi so tudi naslednja:

1. Preverite, ali električna napetost na vaši vtičnici odgovarja tisti, ki je navedena na ploščici vaše naprave in ali je vtičnica pravilno ozemljena. Vtičnica mora biti inštalirana glede na veljavne elektrotehnične norme EN.
2. Naprave ne smete uporabljati, če so poškodovana vrata, če ne deluje pravilno ali če je poškodovan napajalni kabel.

SVARILO: V primeru, da katera koli oseba, razen izšolana, izvaja popravila ali vzdrževanje, ki vodijo do odstranitve poljubnega pokrova, ki zagotavlja zaščito pred sevanjem mikrovalovne energije, je to zelo nevarno. Kakršnakoli popravila ali prilagajanje naprave, kamor se šteje tudi zamenjava kabla, morajo biti izvedena s strani strokovnega servisa! Pred popravilom morate izključiti napajalni kabel iz omrežja. Če se pokrov odstrani po priključitvi na električno omrežje, je serviser lahko izpostavljen nevarnosti električnega udara ali nevarnosti mikrovalovne energije.

3. Napravo zaščitite pred stikom z vodo ali drugimi tekočinami, da ne pride do udara električnega toka. Električnega kabla ali vtičnice ne potaplajte v vodo!
4. Mikrovalovne pečice ne uporabljajte na odprtih kot tudi ne v vlažnih prostorih; ne dotikajte se napajalnega kabla niti same naprave z mokrimi rokami. Obstaja nevarnost udara elektrike.
5. Pri uporabi pečice bodite še posebej pozorni na otroke, ki se nahajajo v bližini.
6. Mikrovalovna pečica ne sme delovati brez nadzora.

7. Priporočamo, da napajalni kabel naprave izključite iz električnega omrežja. Pred kakršnikoli posegom prav tako izključite kabel iz električnega omrežja. Vtiča ne smete izvleči iz vtičnice z vlečenjem za kabel. Kabel izključite iz vtičnice tako, da ga držite za vtič.
8. Mikrovalovne pečice ne uporabljajte v bližini vira vročine, npr. kuhalne plošče štedilnika. Varujte jo pred neposrednim sončnim sevanjem.
9. Napajalni kabel se ne sme dotikati vročih delov ali teči preko ostrih robov.
10. Nevarnost pred požarom v notranjosti pečice lahko preprečite na naslednji način:
 - a) Hrane ne pregrevajte.
 - b) Preden daste v pečico papirnate ali plastične vrečke odstranite iz njih sponke.
 - c) Ne segrevajte olja ali masti za kuhanje v pečici, saj temperature olja ni mogoče nadzorovati. V pečici ne cvrite hrane. Vroče olje lahko poškoduje dele pečice in posodo ter povzroči opekline.
 - d) Po uporabi obrišite s krpico, namočeno v raztopino detergenta, vrata, tesnilo vrat in notranji prostor pečice ter posušite. S tem boste odstranili vse umazanije, maščobo in morebitne preostanke hrane.

SVARILO: Če so vrata oziroma tesnila vrat poškodovana, pečice ne smete uporabljati dokler je ne popravi za to izšolana oseba. Pečica mora biti pravilno očiščena in odstranjeni morajo biti ostanki hrane. Neupoštevanje čistoče pečice lahko povzroči poškodbo površine, ki lahko negativno vpliva na življenjsko dobo aparata in ima za posledico nastanek nevarne situacije. Nakopičena maščoba bi se lahko pregrela in tako lahko nastane posledično požar. Za čiščenje ne uporabljajte abrazivnih sredstev. Aparat se ne sme čistiti s parnim čistilcem.

- e) V primeru, da bi se začelo iz pripravljene hrane znotraj pečice kaditi ali pa bi le-ta zagorela, pustite vrata pečice zaprta, pečico ugasnite in potegnite ven vtikalo električnega kabla, da preprečite morebiten ogenj.
- f) V primeru uporabe posod za enkratno uporabo iz plastike, papirja ali drugih gorljivih materialov ne sme biti pečica brez nadzora, da ne pride do vžiga.

11. Nevarnost eksplozije in nenadnega vretja preprečite na sledeč način:

SVARILO: Tekočina in druga hrana se ne sme segrevati v hermetično zaprtih posodah, nevarnost eksplozije. Z zaprtimi posodami mislimo tudi na otroške stekleničke ali dude.

- a) Za segrevanje tekočin uporabljajte posode s širokimi odprtinami in jih po končanem segrevanju pustite stati 20 sekund, da ne bi prišlo do eruptivnega vrenja.
 - b) Jajca v lupini, trdo kuhana jajca, voda, ki vsebuje maščobo ali olje in zaprte steklene posode se ne smejo pogrevati v mikrovalovni pečici, lahko eksplodirajo tudi, ko je konec mikrovalovnega segrevanja. Krompir, klobase in kostanj morate preden jih postavite v pečico prerezati ali prebosti.
 - c) Mikrovalovno segrevanje pijač lahko povzroči zakasnelo vrenje, s čimer računajte, ko držite posodo.
 - d) Vsebina stekleničk za dojenčke in otroško hrano se mora pred serviranjem zmešati ali pretresti ter je potrebno pred zaužitjem preveriti temperaturo.
12. Po končanem segrevanju v mikrovalovni pečici je posoda zelo vroča. Pri jemanju posode iz pečice uporabljajte rokavice. Pazite, da pri stiku z vročo paro ne pride do opeklin obraza ali rok.
13. Ko odpirate pokrov ali odstranjujete folijo z embalaže, to počnite vedno v nasprotni smeri in proč od sebe. Vrečke s kokicami in vrečke za peko odpirajte na varni oddaljenosti od obraza.
14. Da bi vrtljivi krožnik zaščitili pred razbitjem:
- a) Pustite, da se vrtljivi krožnik ohladi, preden ga boste očistili.
 - b) Na hladni vrtljivi krožnik ne postavljajte vroče hrane ali posode.
 - c) Na hladni vrtljivi krožnik ne postavljajte zamrznjene hrane ali hladne posode.
15. Prepričajte se, da se med delovanjem noben predmet ne dotika notranje stene pečice.
16. Znotraj pečice ne skladiščite hrane in drugih predmetov. Če pride do udara električnega omrežja zaradi strele, se lahko pečica samodejno prižge.
17. Pečice ne uporabljajte, kadar v njej ni nobene hrane ali tekočine. Zaradi tega se lahko pokvari. Ne zapirajte niti ne pokrivajte odprtin za prezračevanje pečice.
18. Ne uporabljajte pripomočkov, ki jih ne priporoča proizvajalec. V nasprotnem primeru tvegate izgubo pravice do uveljavitve garancije.
19. Mikrovalovno pečico uporabljajte samo na način, predpisan v teh navodilih. Mikrovalovna pečica je namenjena samo za hišno uporabo. Proizvajalec ne odgovarja za škodo, ki bi nastala zaradi nepravilne uporabe te naprave.

20. Mikrovalovna pečica je namenjena za pogrevanje hrane in pijač. Sušenje hrane ali oblačil in pogrevanje grelnih blazin, domače obutve, pralnih gob, vlažnih tkanin in podobnih stvari lahko povzroči telesno poškodbo, zagorenje ali požar.
21. Ta izdelek je namenjen uporabi v gospodinjstvu in v podobnih prostorih kot so:
- kuhinje v podjetjih, pisarnah in drugem podobnem delovnem okolju
 - aparati, ki se uporabljajo v kmetijstvu
 - aparati, ki jih gostje uporabljajo v hotelih, motelih in v drugem bivalnem okolju
 - aparati, ki se uporabljajo v objektih, ki ponujajo nočitev z zajtrkom
22. Otroci, starejši od 8 let in več, osebe z zmanjšano fizično ali umsko sposobnostjo ali osebe, ki nimajo dovolj izkušenj, lahko uporabljajo to napravo samo pod nadzorom, ali če jih je izkušena oseba podučila o varni uporabi in razumejo nevarnost povezane zaradi nepravilne uporabe. Otroci se ne smejo igrati s to napravo. Čiščenja in vzdrževanja, ki ga opravljajo uporabniki, ne smejo opravljati otroci, če niso stari 8 let ali več in so pod nadzorom starejših oseb.

Ne izpostavljajte se po nepotrebem pretiranim količinam mikrovalovnih žarkov

1. Ne poskušajte vključiti pečice, ki ima vrata odprta. S tem se lahko izpostavite mikrovalovnim žarkom. Nikoli ne poškodujte in ne držite varnostnih ključavnic vrat pečice.
2. V vrata pečice ne dajajte nobenih tujkov. Preverite, ali so tesnila na vratih pečice in površina ob njih čista in da ni ostankov čistilnih sredstev.
3. Ne poskušajte vklopiti nedelujoče pečice. Vrata pečice morajo biti po zaprtju popolnoma zatesnjena in ne smejo biti poškodovana.
Primeri nevarnih poškodb vrat:
 - a) UKRIVLJENA vrata pečice.
 - b) TEČAJI in ZAPAHI na vratih niso dovolj dobro pričvrščeni ali so polomljeni.
 - c) VRATNA TESNILA IN TESNILNE POVRŠINE NA OHIŠJU OKVIRA PEČICE.
Pečico lahko popravlja in servisira samo za to usposobljena oseba.
4. Kot pri večini drugih izdelkov, namenjenih za peko, je potreben nenehen nadzor, da ne bi prišlo do požara.

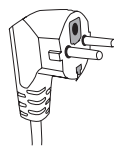
V primeru požara:

1. Ne odpirajte vrat pečice.

2. Izključite pečico in iz vtičnice izključite napajalni kabel.
3. Izklopite glavno stikalo razdelilnika električne energije.

ČIŠČENJE

Prepričajte se, da ste pečico izključili iz dovoda el. energije tako, da ste iz vtičnice potegnili vtikalo el. kabla.



1. Uporabite vlažno krpico in očistite notranjost pečice.
2. Pritikline očistite na običajen način v milni raztopini.
3. Umazan okvir vrat, tesnila in sosednji deli se morajo temeljito očistiti z vlažno krpo, namočeno v raztopini detergenta, in nato suho obrisati.

Pečica mora biti ozemljena. Vtikalo električnega kabla je lahko vključeno le v vtičnico, ki je pravilno ozemljena. V primeru kakršnih koli dvomov glede pravilnosti el. inštalacije ali pri okvarah kontaktirajte kvalificiranega električarja ali servisnega tehnika.

1. Mikrovalovna pečica je opremljena s kratkim el. kablom, da se zmanjša tveganje poškodbe zaradi spotikanja ali zapletanja.
2. Dolg podaljševalni kabel mora izpolnjevati naslednje zahteve:
 - a) Z vidika dovoljene električne obremenitve morajo biti nominalne vrednosti podaljševalnega kabla in vtičnice v skladu z nominalnimi vrednostmi mikrovalovne pečice.
 - b) Podaljševalni kabel mora biti trižilni in vtikalo ter vtičnica morata imeti ozemljitveni zatič.
 - c) Kabel mora biti dobro pospravljen, to pomeni, da ne visi preko delovne plošče kuhinjskega pulta in, da ne more priti do spotikanja ali potega kabla od otrok.

POSODA IN KROŽNIKI

OPOZORILO

Nevarnost poškodb

Uporabljajte samo posodo, ki je primerna za uporabo v mikrovalovnih pečicah. Močno zaprte posode lahko pri kuhanju eksplodirajo. Zaprte posode se morajo pred kuhanjem odpreti in plastična embalaža preluknjati, glej Materiali, ki se lahko in se ne smejo uporabljati v mikrovalovni pečici. Obstajajo nekateri nekovinski materiali, ki se ne morejo varno uporabljati pri kuhanju v mikrovalovni pečici. Če ste v dvomih, ali se lahko material varno uporabi v mikrovalovni pečici, ravnajte sledeče:

Test kuhinjske posode:

1. Posodo, namenjeno za kuhanje v mikrovalovni pečici, napolnite z mrzlo vodo (250 ml).
2. Kuhajte 1 minuto na maksimalni moči pečice.
3. Pazljivo preizkusite temperaturo preizkušene posode. Če je preizkušena posoda topla, je ne uporabljajte za kuhanje v mikrovalovni pečici.
4. **Ne kuhajte več kot 1 minuto.**

NEVARNOST za otroke: Otroci se ne smejo igrati z embalažnim materialom. Ne dovolite, da bi se otroci igrali s plastičnimi vrečkami. Nevarnost zadušitve.



Vroča površina!

Materiali, ki jih lahko uporabljate v mikrovalovni pečici

Posoda	Opombe
Pekači za pečenje	Upoštevajte napotke proizvajalca. Dno posode za pečenje mora biti vsaj 5 mm na vrtljivim krožnikom. Nepravilna uporaba lahko povzroči, da vrtljiv krožnik počí.
Krožniki	Uporabljajte samo krožnike in posodo, ki je primerna za uporabo v mikrovalovnih pečicah. Upoštevajte napotke proizvajalca. Ne uporabljajte počenih ali poškodovanih skled.
Steklene steklenice in vrči	Vedno odstranite tesnilni zamašek. Hrano ne pogrejte. Ne kuhajte! Večina steklenih vrčev in steklenic ni odporna na visoke temperature in lahko počijo.
Steklena posode za pečenje	Uporabljajte le steklene pečene posode, ki so odporne proti visokim temperaturam. Prepričajte se, da posoda nima kovinskega robu ali kakšen drug kovinski del. Ne uporabljajte počenih ali poškodovanih skled.
Vrečke za peko	Upoštevajte napotke proizvajalca. Ne zapirajte s kovinskimi sponkami. Pustite spoje vreče na rahlo odprte, da lahko vroča para prosto uhaja.
Papirnati krožniki	Primerni la za pogrevanje ali kratko kuhanje. Pečice med kuhanjem ne puščajte brez nadzora.
Papirnate brisače	Uporabljajte le za prekrivanje hrane in vpijanje odvečne maščobe.
Peki papir	Uporabljajte za prekrivanje hrane, za zapakiranje hrane med dušenjem ali pa kot zaščito pred brizganjem po pečici.
Plastični materiali	Uporabljajte samo krožnike in posodo, ki je primerna za uporabo v mikrovalovnih pečicah. Upoštevajte napotke proizvajalca. Plastični materiali primerni za uporabo v mikrovalovni pečici morajo imeti specifične oznake: „Primerno za mikrovalovne pečice.“ Nekatere plastike se zmečajo zaradi dolgotrajnega delovanja visokih temperatur. „Vrečke za kuhanje“ in vrečke za pečenje morajo biti prerezane, preluknjane ali kako drugače prezračevane glede na navodila proizvajalca.
Plastične embalažne folije	Uporabljajte samo krožnike in posodo, ki je primerna za uporabo v mikrovalovnih pečicah. Uporabljajte za prekrivanje hrane in za ohranjanje vlage hrane med kuhanjem. Pazite na to, da se plastična folija ne dotika pripravljene hrane.
Termometri	Uporabljajte le termometre primerne za uporabo v mikrovalovnih pečicah. (Termometri za meso, kruh in slaščice).

Posoda	Opombe
Povoščen papir	Uporabljajte za prekrivanje hrane, kot zaščito pred brizganjem po pečici in za ohranjanje vlage hrane med kuhanjem.

Materiali, ki se ne smejo uporabljati pri kuhanju v mikrovalovni pečici

Posoda in krožniki	Opombe
Aluminijasti krožniki in pekači	Nevarnost deformacije. Prestavite hrano v posodo, ki je primerna za kuhanje v mikrovalovnih pečicah.
Prehrabene in kartonske škatle s kovinskim ročajem	Nevarnost deformacije. Prestavite hrano v posodo, ki je primerna za kuhanje v mikrovalovnih pečicah.
Kovinska posoda in posoda s kovinskimi dodatki	Kovina preprečuje prodiranje mikrovalovne energije. Kovinski okvir se lahko deformira.
Žičnati zapiralni obročki	Nevarnost deformacije in požara znotraj pečice.
Papirnate vrečke	Lahko pride do vžiga. Nevarnost požara znotraj pečice.
Penasti materiali	Zaradi visokih temperatur se lahko plastična pena raztali in razvrednoti hrano.
Les	Les se suši in lahko počni med kuhanjem.

INŠTALACIJA VRTLJIVEGA KROŽNIKA



1. Nikoli ne polagajte krožnika z dnom navzgor. Stekleni krožnik se mora nenehno prosto obračati.
2. Ne uporabljajte pečice brez vrtljivega obroča in steklenega krožnika.
3. Vsa hrano in posoda s hrano se mora vedno položiti na steklen krožnik.
4. Če pride do počenja steklenega krožnika ali do poškodbe vrtljivega obroča, kontaktirajte najbližji pooblaščen servis.

SESTAVLJANJE MIKROVALOVNE PEČICE

Nazivi sestavnih delov pečice in pritisklin

Razpakirajte pečico in vse pritiskline.

Pečica se dobavlja z naslednjimi pritisklinami:

Stekleni pladenj

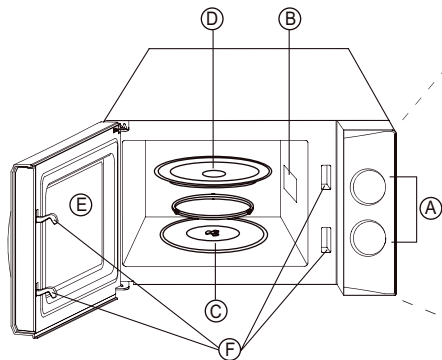
1

Vrtljivi obroč

1

Navodila za uporabo

1



(A) Kontrolna plošča

(B) Valovod

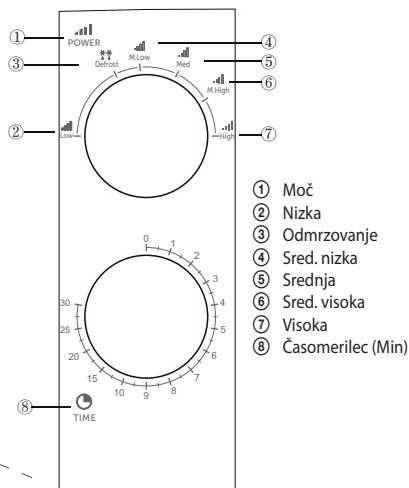
(C) Vrtljivi obroč

(D) Stekleni krožnik

(E) Prozorno okence

(F) Varnostni sistem zaklepanja

(Izklopi dovod električne energije, če pride med kuhanjem do odprtja vratc.)



- ① Moč
- ② Nizka
- ③ Odmrzovanje
- ④ Sred. nizka
- ⑤ Srednja
- ⑥ Sred. visoka
- ⑦ Visoka
- ⑧ Časomerilec (Min)

INŠTALACIJA

Odstranite ves embalažni material in vzemite ven vse pritiskline.

Preverite ali pečica ni kakor koli poškodovana (zmečkana ali poškodovana vrata in podobno). Pečice ne inštalirajte, če je kakor koli poškodovana.

Delovna plošča kuhinjskega pulta

Ohišje pečice: Odstranite vso zaščitno folijo iz površine ohišja.

Ne odstranjujte svetlo rjave folije, ki je pritrjena znotraj pečice. Ta folija ščiti magnetron pečice.

Inštalacija

1. Pečico namestite na ravno površino, ki zagotavlja dovolj prostega prostora za pravilno funkcijo prežračevalnih odprtin.

Med pečico in najbližjo steno mora razdalja znašati minimalno 7,5 cm.

Vsaj ena od strani mora biti prosta.

a) Pustite vsaj 30 cm prostega prostora nad pečico.

b) Ne odstranjujte nogic pečice.

c) Ne blokirajte prežračevalnih odprtin. Lahko pride do poškodbe pečice.

d) namestite pečico kar najdlje od radijskega in televizijskega sprejemnika. Mikrovalovna pečica lahko povzroči motnje televizijskega in radijskega TV signala.

2. Priključite pečico v standardno električno omrežje. Prepričajte se, da sta navedena vrednost napetosti in frekvenca na tipski tablici pečice v skladu z vrednostjo napetosti in frekvenco v omrežju.

OPOZORILO: Ne inštalirajte pečice nad kuhinjsko kuhalno ploščo niti v njeno bližino ali v bližino drugega aparata, ki oddaja vročino. Namestitev pečice v bližino aparata, ki oddaja vročino, ima lahko za posledico poškodbo pečice in prenehanje veljavnosti garancije.

Mikrovalovna pečica je namenjena za uporabo v prostem prostoru in se ne sme nameščati v omaro.

Med delovanjem je lahko površina mikrovalovne pečice vroča.



Upravljalna plošča in funkcije

1. Moč pečice nastavite z vrtenjem upravljavca (Power) na želeno stopnjo.

2. Dolžino kuhanja nastavite z vrtenjem časomerilca (Time) na zelen interval glede na hrano, ki se pripravlja (maks. 30 minut).

3. Mikrovalovna pečica po nastavitvi moči in časa začne samodejno kuhati.
4. Ko preteče čas nastavljen za dolžino kuhanja, se pečica izklopi.
5. Če pečice ne uporabljate, naj bo časomerilec nastavljen na „0“.

Opomba: Pri izbiri časa kuhanja za manj kot dve minuti, zavrtite upravljalnik za več kot 2 minuti in ga nato vrnite na zeleno lego.

Funkcija	Moč	Uporaba
Low (nizka)	17%	Mehčanje sladoleda
Defrost (Odmrzovanje)	40%	Odmrzovanje
M. Low (Sred. nizka)	48%	Priprava juhe, mehčanje masla
Med (Srednje)	66%	Kuhano meso, riba
M. High (Srednje visoka)	85%	Riž, riba, piščanec mleto meso
High (Visoka)	100%	Segrevanje, mleko, prekuhavanje vode, zelenjava, napitki

ODPRAVLJANJE TEŽAV

Pogoste težave	
Mikrovalovna pečica moti TV sprejemnik.	Mikrovalovna pečica lahko med delovanjem moti sprejem radia in televizije. Le-to je podobno motenju manjših elektronskih aparatov kot so mešalnik, sesalnik in elektronski ventilator.
Luč v pečici slabo oslabi.	V primeru uporabe manjše moči lahko luč v pečici oslabi.
Na vratih se kopiči para, iz prehodov gre vroč zrak.	Pri kuhanju gre lahko iz hrane para. Večina jo gre skozi prezračevalne odprtine, vendar pa se lahko del nakopiči na bolj hladnem mestu, kot so vrata. Ta pojav je normalen.
Pečica je pomotoma vklopljena prazna.	Pečice ne smete prižigati prazne. To je zelo nevarno.

Problem	Možni razlog	Rešitev
Pečice ni mogoče prižgati.	(1) Električni kabel ni fiksno pritrjen v vtičnici.	Potegnite kabel iz vtičnice. Približno po 10 sekundah kabel ponovno porinite v vtičnico.
	(2) Izgorela varovalka ali izpad hišne varovalke.	Zamenjajte ali prižgite varovalko (popravlja servisni tehnik iz našega podjetja).
	(3) Problem z vtičnico.	Poizkusite v vtičnico vključiti drug elektronski aparat/napravo.
Pečica ne greje.	(4) Vrata niso pravilno zaprta.	Dobro zaprite vrata.
Steklen krožnik je glasen, ko mikrovalovna pečica deluje.	(5) Vrtljiva podloga ali do pečice sta umazana.	Pečico očistite glede na napotke v poglavju „Čiščenje“.

TEHNIČNI PODATKI

Prostornina:	20 l	Nazivna napetost:	230–240 V~ 50 Hz
Mikrovalovna moč:	700 W	Nazivna moč:	1.200 W
Časomerilec:	30 minut	Delovna frekvenca:	2.450 MHz
Nastavitev moči:	6 nivojev	Hrup:	55 dB
Vrtljivi krožnik:	Ø 245 mm		
Teža:	10,5 kg		
Dimenzije:	452 × 262 × 330 mm		
Mere notranjega prostora:	315 × 198 × 297 mm		

UPORABA IN ODSTRANJEVANJE ODPADKOV

Papir in karton dostaviti depouju. Foliju embalaže, PE vrečke, plastične elemente vržiti v kontejner za odlaganje plastike za recikliranje.

ODSTRANJEVANJE IZDELKA PO IZTEKU TRAJANJA

Odstranjevanje električne in elektronske opreme (velja za države članice Evropske unije in druge evropske države, ki izvajajo sistem recikliranja).

Simbol na izdelku ali embalaži pomeni, da se izdelek ne sme obravnavati kot komunalni odpadki. Dostaviti izdelek na lokacijo, namenjeno za recikliranje električne in elektronske opreme. Preprečite negativni vpliv na zdravje ljudi in okolje z pravilnim recikliranjem izdelka. Recikliranje ohranja naravne vire. Za več informacij o recikliranju tega izdelka se lahko obrnete na lokalne oblasti, lokalne organizacije ali trgovino, kjer ste izdelek kupili.

Ta izdelek je v skladu z EU zahtevami o elektromagnetni skladnosti in električni varnosti.

Pridržujemo si pravico do urejanja besedila in tehničnih parametrov.
Navodila za uporabo so na razpolago na spletnih straneh www.ecg.cz.



08/05



BEZBEDNOSNA UPUTSTVA

Pročitajte pažljivo i sačuvajte za buduću upotrebu!

Pažnja: Mere predostrožnosti i uputstva ne pokrivaju sve moguće situacije i opasnosti do kojih može doći. Korisnik treba da bude svestan da faktore bezbednosti kao što su oprezno, pažljivo i razumno rukovanje nije moguće ugraditi u proizvod. Stoga sâm korisnik ovog uređaja treba da osigura prisutnost tih bezbednosnih faktora. Nismo odgovorni ni za kakvu štetu koja se desi tokom prevoza, nepravilnim korišćenjem, kolebanjem napona, modifikovanjem ili zamenom bilo kog dela uređaja.

Da ne bi došlo do požara ili povrede od udara električne struje, prilikom upotrebe električnih uređaja uvek treba da se poštuju osnovna bezbednosna uputstva, među kojima su i sledeća:

1. Proverite da li napon struje u vašoj utičnici odgovara onom koji je naveden na oznaci uređaja i da li je utičnica pravilno uzemljena. Utičnica mora biti ugrađena prema zahtevima elektrotehničkih standarda.
2. Renu nikada nemojte koristiti ako su joj oštećena vrata, ako ne radi ispravno ili je kabl za napajanje oštećen.

PAŽNJA: Zadnji zaštitni poklopac koji štiti od mikrotalasnog zračenja može odvojiti samo kvalifikovano lice, bez obzira na to da li je potrebna popravka ili održavanje.

Bilo kakva popravka, što se odnosi i na zamenu kabla, mora biti poverena stručnom servisu! Pre popravke kabl za napajanje mora se isključiti iz mreže. Ako poklopac bude demontiran, nakon spajanja na električnu mrežu može doći do izlaganja servisera opasnosti od strujnog udara ili energije mikrotalasa.

3. Uređaj zaštitite od kontakta s vodom ili drugim tečnostima da ne bi došlo do električnog udara. Ne potapajte ni kabl za napajanje niti utičnicu u vodu!
4. Mikrotalasnu renu nemojte koristiti na otvorenom, kao ni u vlažnim prostorima; ne dodirujte kabl za napajanje niti uređaj mokrim rukama. Postoji opasnost od električnog udara.
5. Budite posebno pažljivi ako se deca nalaze u blizini dok koristite mikrotalasnu renu.
6. Mikrotalasna rerna ne sme biti ostavljena da radi bez nadzora.

7. Preporučujemo da rernu ne ostavljate sa kablom za napajanje uključenim u struju. Pre bilo kakvog zahvata na održavanju, isključite napajanje iz mreže. Utikač ne izvlačite iz utičnice povlačenjem za kabl. Kabl odvojite od mreže tako što ćete uhvatiti za utikač i izvući ga.
8. Mikrotalasnu rernu nemojte koristiti u blizini izvora toplote, kao što su grejalice ili peći na drva. Držite je dalje od direktne sunčeve svetlosti.
9. Kabl se mora pružati tako da ne dolazi u dodir s vrućim predmetima i ne prolazi duž oštih ivica.
10. Opasnost od nastanka požara u unutrašnjosti rerne ovako možete da sprečite:
 - a) Nemojte previše peći jela.
 - b) Pre nego što papirinu ili plastičnu ambalažu stavite u rernu, izvadite iz nje sve metalne spajalice i druge komade od metala.
 - c) Ne zagrevajte ulje ili mast za kuvanje u rerni, jer se temperatura ulja ne može kontrolisati. Nemojte pržiti hranu u rerni. Vruće ulje može oštetiti delove rerne i sudove i prouzrokovati opekotine.
 - d) Nakon korišćenja prebrišite vrata, zaptivač vrata i unutrašnji prostor rerne koristeći krpu navlaženu rastvorom deterdženta, a zatim osušite brisanjem. Tako ćete ukloniti nečistoće i masnoće i moguće ostatke hrane.

PAŽNJA: Ako su vrata ili zaptivač oštećeni, rernu ne smete koristiti sve dok je ne popravi osoba kvalifikovana za to. Rerna treba da bude temeljno očišćena, a eventualni ostaci namirnica uklonjeni. Neodržavanje čistoće rerne može dovesti do oštećenja površine i skraćenja životnog veka uređaja, kao i do nastanka bezbednosnih rizika. Naslage masnoće se mogu pregrejati, što može dovesti do požara.

Za čišćenje nemojte koristiti abrazivna sredstva.

Zabranjeno je uređaj čistiti aparatom za čišćenje vodenom parom.

- e) Ako se tokom pripreme hrane iz rerne počne dimiti ili dođe do gorenja, otvorite vrata rerne, isključite je i isključite kabl za napajanje iz utičnice da biste sprečili širenje požara.

- f) Ako koristite posude za jednokratnu upotrebu izrađene od plastike, papira ili drugih zapaljivih materijala, ne smete ostavljati rernu bez nadzora kako ne bi došlo do oštećenja.
11. Opasnost od eksplozije i iznenadnog vrenja uklonićete ovako:
PAŽNJA: Tečnosti ni druge namirnice nemojte zagrevati u hermetički zatvorenim sudovima jer bi lako mogle da eksplodiraju. Pod zatvorenim posudama podrazumevamo i dečje flašice ili varalice.
- a) Za zagrevanje tečnosti koristite posude sa širokim otvorom i nakon zagrevanja ih ostavite da stoje 20 sekundi da ne bi došlo do eruptivnog vrenja.
- b) U mikrotalasnoj rerni ne smeju se kuvati jaja u ljusci, tvrdo kuvana jaja, voda koja sadrži masnoće i ulja, kao ni zatvorene staklene posude, jer može doći do njihove eksplozije, čak i kad zagrevanje mikrotalasima prestane. Krompire, kobasice i kestene morate pre pečenja u rerni oguliti ili im probiti koru.
- c) Zagrevanje mikrotalasima može prouzrokovati zakasnelo kuvanje i s tim treba računati pri držanju sudova.
- d) Sadržina flašica za dojenčad i dečja hrana moraju se temeljno promešati ili promućkati pre posluživanja i mora se proveriti njihova temperatura kako ne bi došlo do opekotina.
12. Nakon zagrevanja u mikrotalasnoj rerni, posude su vrlo vruće. Koristite rukavice prilikom vađenja. Pazite da ne dođe do opekotina lica i ruku prilikom dodira sa vrućom parom.
13. Kada otvarate poklopac ili skidate foliju sa ambalaže, počinjite od kraja koji je najudaljeniji od vas. Kesice sa kobicama i kesice za pečenje otvarajte na bezbednoj udaljenosti od lica.
14. Kako da okretnu posudu zaštitite od razbijanja:
- a) Pustite okretnu posudu da se ohladi pre nego što počnete da je čistite.
- b) Nemojte na hladnu okretnu posudu stavljati nikakvu vruću hranu ili posude.
- c) Nemojte na vruć okretni tanjir stavljati nikakvu zamrznutu hranu ili hladne posude.
15. Uverite se da sudovi u rerni za vreme zagrevanja ne dodiruju strane rerne.

16. Rernu nemojte koristiti za čuvanje hrane niti drugih predmeta. Ako električnu mrežu pogodi grom, rerna se može sama uključiti.
17. Rernu nemojte koristiti kada u njoj nema nikakve tečnosti niti namirnica. To bi je moglo oštetiti. Nemojte zatvarati ni prigušivati otvor za ventilaciju rerne.
18. Nemojte koristiti pribor koji nije preporučio proizvođač. U suprotnom, izgubićete prava na garanciju.
19. Mikrotalasnu rernu koristite samo na način propisan ovim uputstvom. Mikrotalasna rerna je namenjena samo za kućnu upotrebu. Proizvođač nije odgovoran za štetu koja može nastati nepravilnim korišćenjem ovog uređaja.
20. Mikrotalasna rerna projektovana je za zagrevanje hrane i pića. Nije dopušteno sušenje hrane ili odeće, zagrevanje termofora, papuča, sušera za kupanje, vlažne tkanine i sličnih predmeta jer to može dovesti do opasnosti od povreda, oštećenja ili požara.
21. Ovaj proizvod je namenjen za korišćenje u domaćinstvu i u prostorima sličnim domaćinstvu kao što su:
 - kuhinje u firmama, kancelarijama i u drugim sličnim radnim okruženjima
 - uređaji koji se koriste u poljoprivredi
 - uređaji koji su na raspolaganju gostima hotela, motela i drugih smeštajnih objekata
 - uređaji koji se koriste u objektima koji nude noćenje s doručkom.
22. Deca starosti od 8 godina i više, osobe smanjenih fizičkih ili umnih sposobnosti i osobe s nedostatkom iskustva smeju da koriste ovaj uređaj samo ako su pod nadzorom ili ako ih je iskusnija osoba uputila u korišćenje na siguran način i razumeju sve opasnosti povezane s tim korišćenjem. Deca se ne smeju igrati sa ovim uređajem. Poslove čišćenja i održavanja koje obavlja korisnik ne smeju obavljati deca, osim ako su starija od 8 godina i pod nadzorom.

Ne izlažite se nepotrebno preteranim količinama mikrotalasnog zračenja

1. Nemojte pokušavati da uključite rernu na kojoj su vrata otvorena. Tako biste se mogli izložiti mikrotalasnim zračenjima. Ne pokušavajte da oštete ili onemogućite sigurnosnu bravicu vrata.

2. U vrata rerne ne stavljajte nijedan strani predmet. Proverite da li su zaptivač vrata rerne i površina na koju ona naleže čisti i da li ima ostataka sredstva za čišćenje.
3. Nemojte pokušavati da uključite neispravnu rernu. Neophodno je da vrata rerne nakon zatvaranja potpuno prijanjaju i da nisu oštećena.
Primeri opasnih oštećenja vrata:
 - a) ULUBLJENA vrata rerne.
 - b) Nedovoljno pritegnute ŠARKE i OSOVINE šarki vrata.
 - c) NERAVAN ZAPTIVAČ VRATA ILI POVRŠINA VRATA NA KOJU DOLAZI ZAPTIVAČ.
Mikrotalasnu rernu sme da popravlja ili servisira samo kvalifikovani tehničar.
4. Kao i kod većine uređaja namenjenih za pečenje, tako je i kod ovog uređaja zbog opasnosti od požara potreban povećan oprez za vreme rada.

Ako dođe do požara:

1. Ne otvarajte vrata rerne.
2. Isključite rernu i izvucite utikač iz utičnice.
3. Isključite glavni prekidač vaše strujne instalacije.

ČIŠĆENJE

Izvucite utikač kabla napajanja iz utičnice da biste bili sigurni da je rerna isključena iz struje.

1. Vlažnom krpom očistite unutrašnjost rerne.
2. Pribor očistite u sapunici, na uobičajen način.
3. Zaprljani okvir vrata, zaptivač i okolni delovi moraju se pažljivo očistiti vlažnom krpom natopljenom u rastvoru deterdženta, a zatim osušiti suvom krpom.

Rerna mora biti uzemljena. Kabl za napajanje mora biti priključen isključivo u utičnicu koja je ispravno uzemljena.

U slučaju bilo koje greške ili neispravnosti električne instalacije ili nepravilnog rada rerne, javite se kvalifikovanom električaru ili ovlašćenom serviseru.

1. Mikrotalasna rerna je opremljena kratkim kablom za napajanje da bi se smanjila mogućnost spoticanja ili zapetljavanja.
2. Dugi produžni kabl mora ispunjavati sledeće uslove:

- Nominalni kapaciteti kabla i utičnice moraju biti bar jednaki nominalnim veličinama mikrotalasne rerne.
- Produžni kabl mora biti trožilni, a žice veznog utikača moraju biti opremljene kontaktom uzemljenja.
- Kabl mora biti dobro pričvršćen da ne bi nepotrebno visio preko kuhinjske radne ploče i da deca ne bi pala preko njega ili ga izvukla.

SUDOVI I TANJIRI

UPOZORENJE

Opasnost od povrede

Koristite samo posude koje su pogodne za upotrebu u mikrotalasnoj rerni. Čvrsto zatvorene posude mogu eksplodirati za vreme kuvanja. Zatvorene posude je potrebno otvoriti pre kuvanja, a plastične posude probušiti. Potražite u ovim uputstvima deo pod nazivom „Materijali koji se mogu i koji se ne mogu koristiti za kuvanje u mikrotalasnoj rerni“. Određeni nemetali se ne mogu bezbedno koristiti u mikrotalasnoj rerni. Ako niste sigurni da li se neki materijal može bezbedno koristiti u mikrotalasnoj rerni, učinite sledeće:

Provera kuhinjskih posuda:

- Posudu prikladnu za kuvanje u mikrotalasnoj rerni napunite hladnom vodom (250 ml).
- Zagrevajte je 1 minut na najvećoj snazi zagrevanja.
- Pažljivo proverite toplotu posude koju isprobavate. Ako je ispitana posuda topla, nemojte je koristiti za kuvanje u mikrotalasnoj rerni.
- Nemojte kuvati više od 1 minuta.

OPASNOSTI po decu: Deca se ne smeju igrati s ambalažom. Ne dozvolite deci da se igraju plastičnim kesicama. Postoji opasnost od gušenja!



Vruća površina!

Materijali koje možete koristiti u mikrotalasnoj rerni

Posuda	Napomene
Plehovi za pečenje	Sledite uputstva proizvođača. Dno posude za pečenje mora biti najmanje 5 mm iznad okretnog tanjira. Nepravilno rukovanje može dovesti do napuknuća okretnog tanjira.
Tanjiri	Koristite samo tanjire i posude koji su pogodni za upotrebu u mikrotalasnoj rerni. Sledite uputstva proizvođača. Nemojte koristiti napukle ili na drugi način oštećene posude.
Staklene posude i krčazi	Neka uvek budu bez poklopca. Jelo samo podgrevajte. Nemojte kuvati! Većina staklenih posuda i tegli nije otporna na visoke temperature i može ispuccati.

Posuda	Napomene
Staklene posude za pečenje	Koristite samo one staklene posude koje su izrađene od stakla otpornog na visoke temperature. Proverite da li posuda ima metalni obruč ili druge metalne delove. Nemojte koristiti napukle ili na drugi način oštećene posude.
Kesice za pečenje	Sledite uputstva proizvođača. Ne zatvarajte ih metalnim kopčama. Neka kesica ostane malo otvorena na spoju da bi vruće pare mogle slobodno izlaziti.
Papirni tanjiri	Pogodni su samo za zagrevanje ili za kratko kuvanje. Ne ostavljajte rernu bez nadzora tokom kuvanja.
Papirni ubrusi	Koristite ih za pokrivanje namirnica i skupljanje viška masnoće. Koristiti samo za kratkotrajno kuvanje. Uređaj ne ostavljajte bez nadzora za vreme rada.
Papir za pečenje	Koristi se za pokrivanje ili omotavanje hrane kada namirnice pečemo u njihovom sopstvenom soku da ne bi prskalo po rerni.
Plastični materijali	Koristite samo tanjire i posude koji su pogodni za upotrebu u mikrotalasnoj rerni. Sledite uputstva proizvođača. Plastični materijali koji su pogodni za upotrebu u mikrotalasnoj rerni moraju biti označeni s: Neke vrste plastike omekšaju zbog produženog izlaganja visokim temperaturama. „Torbice za kuvanje“ i kesice za pečenje se moraju prerezati, probušiti ili na neki drugi način otvoriti u skladu s uputstvima proizvođača namirnice.
Plastične ambalažne folije	Koristite samo tanjire i posude koji su pogodni za upotrebu u mikrotalasnoj rerni. Koristite ih za zaštitu hrane i da biste sačuvali vlažnost hrane tokom kuvanja. Pazite na to da plastična folija ne dodiruje hranu.
Termometri	Koristite samo termometre pogodne za korišćenje u mikrotalasnoj rerni. (Termometri za meso, kolače i poslastice.)
Masni papir	Koristite ga za pokrivanje i zaštitu hrane, i da biste sačuvali vlažnost hrane tokom kuvanja.

Materijali koje ne smete da koristite u mikrotalasnoj rerni

Posude i tanjiri	Napomene
Aluminijumske tacne i plehovi za pečenje	Postoji opasnost od deformisanja. Premestite namirnice u posudu pogodnu za kuvanje u mikrotalasnoj rerni.
Kutije za hranu i kartonske kutije s metalnom ručkom	Postoji opasnost od deformisanja. Premestite namirnice u posudu pogodnu za kuvanje u mikrotalasnoj rerni.
Metalne posude i posude s metalnim delovima	Metal sprečava prodor energije mikrotalasa. Metalni delovi mogu da se deformišu.
Čelični prsteni za poklopce	Postoji opasnost od izobličenja i požara u rerni.
Papirne vrećice	Mogu izgoreti. Postoji opasnost od požara u unutrašnjosti rerne.
Penasti materijali	Kada je izložena visokim temperaturama, plastična pena se može rastopiti i zaprljati hranu.
Drvo	Drvo se suši i može pući tokom kuvanja.

POSTAVLJANJE NOSEĆEG OKRETNOG TANJIRA



1. Nikada ne postavljajte stakleni tanjir naopako. Stakleni tanjir mora se stalno slobodno okretati.
2. Nikada ne koristite rernu bez nosećeg prstena i staklenog tanjira.
3. Sve namirnice i posude s njima moraju uvek da budu stavljene na stakleni tanjir.
4. Ako dođe li do oštećenja tanjira ili nosećeg prstena, javite se najbližem ovlašćenom servisu.

SASTAVLJANJE MIKROTALASNE RERNE

Nazivi delova rerne i pribora

Raspakujte rernu i sav pribor.

Rerna se isporučuje sa sledećim priborom:

Stakleni tanjir

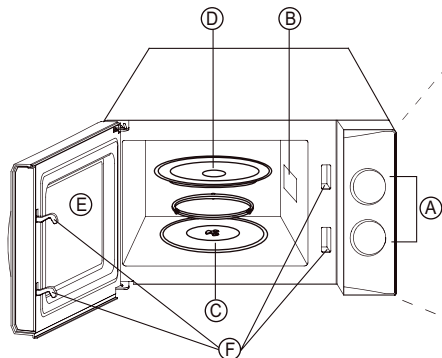
1

Sastavljeni noseći prsten

1

Uputstva za upotrebu

1



A Upravljačka ploča

B Talasovod

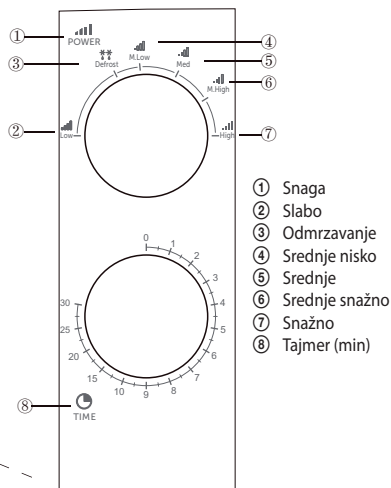
C Sastavljeni noseći prsten

D Stakleni tanjir

E Prozorić

F Sigurnosna brava

(U slučaju da se vrata otvore tokom kuvanja, zaustavlja se dovod električne energije).



1 Snaga

2 Slabo

3 Odmrzavanje

4 Srednje nisko

5 Srednje

6 Srednje snažno

7 Snažno

8 Tajmer (min)

UGRADNJA

Uklonite svu ambalažu, otpakujte pribor.

Proverite da li ima nekih oštećenja na rerni (ulubljena ili oštećena vrata i slično). Nemojte priključivati rernu koja je na bilo koji način oštećena.

Kuhinjska radna ploča

Kučište rerne: Odstranite sve zaštitne folije s površine kućišta.

Nemojte skidati svetlo-braon foliju koja je pričvršćena u unutrašnjosti rerne. Ta folija je zaštita za magnetron rerne.

Instalacija

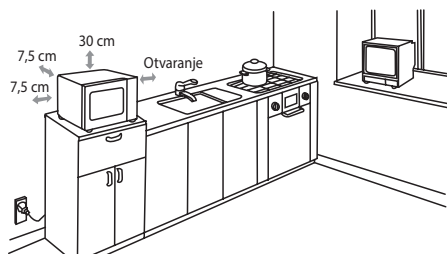
1. Mikrotalasnu rernu treba da smestite na ravno mesto koje osigurava dovoljno slobodnog prostora za pravilan rad ventilacionih otvora.

Između rerne i najbližeg zida mora da postroji udaljenost od najmanje 7,5 cm.

Najmanje jedna strana mora biti slobodna.

- a) Ostavite najmanje 30 cm slobodnog prostora iznad rerne.
- b) Nemojte skidati nožice rerne.
- c) Nemojte ograničavati provodnost ventilacionih otvora. To bi moglo dovesti do oštećenja rerne.
- d) Postavite rernu što je dalje moguće od radio i TV uređaja. Mikrotalasna rerna može da uzrokuje smetnje radio i TV signala.

2. Uključite rernu u običnu zidnu utičnicu. Proverite da li napon i frekvencija navedeni na natpisnoj pločici rerne odgovaraju naponu i frekvenciji vaše električne instalacije.



UPOZORENJE: Rernu nemojte postavljati iznad ploče za kuvanje, kao ni u njoj blizini ili blizini nekog drugog izvora toplote. Postavljanje rerne u blizini predmeta a povišenom temperaturom može dovesti do oštećenja rerne i prestanka važenja garancije.

Mikrotalasna rerna je projektovana za slobodno postavljanje i ne sme se ugrađivati u ormariće.

Za vreme rada površina rerne može biti vruća.



Upravljačka ploča i funkcije

1. Snagu rerne podesite okretanjem dugmeta za regulaciju (Power) na željeni stepen.
2. Trajanje kuvanja podesite okretanjem tajmera (Time) na željeni interval u zavisnosti od jela koje pripremate (najviše do 30 minuta).

3. Mikrotalasna rerna automatski pokreće kuvanje nakon što se trajanje i snaga postavje.
4. Nakon što podešeno vreme istekne, rerna prestaje da radi.
5. Ako rernu ne koristite, neka tajmer ostane u položaju „0“.

Napomena: Kada vreme kuvanja treba da bude kraće od dva minuta, okrenite regulator preko oznake za 2 minuta, a zatim ga vratite na vreme koje želite.

Funkcija	Snaga	Upotreba
Low (slabo)	17%	Omekšavanje sladoleda
Defrost (odmrzavanje)	40 %	Odmrzavanje
M. Low (Srednje slabo)	48 %	Priprema supe, omekšavanje putera
Med (srednje)	66 %	Kuvano meso, riba
M. High (srednje snažno)	85 %	Riža, riba, piletina, mljeveno meso
High (Snažno)	100 %	Grejanje, mleko, prokuvavanje vode, povrće, pića

REŠAVANJE PROBLEMA

Česti	
Mikrotalasna rerna ometa rad TV prijemnika.	Mikrotalasna rerna svojim radom može da izazove smetnje prilikom prijema radio i televizijskog signala. Te smetnje su slične smetnjama koje prouzrokuju mali električni aparati kao što su mikser, usisavač ili električni ventilator.
Svetlo u rerni je slabo.	Kod korišćenja mikrotalasa niske snage, svetlo u rerni se može smanjiti.
Na vratima se skuplja para, a iz ventilacionih otvora izlazi vruć vazduh.	Za vreme kuvanja iz namirnica može da izlazi para. Većina pare izlazi kroz ventilacione otvore, ali se deo može sakupiti na hladnijim delovima, kao što su to vrata. To je normalno.
Mikrotalasna rerna je greškom uključena prazna.	Nemojte uključivati rernu dok je prazna. To je vrlo opasno.

Problem	Mogući uzrok	Rešenje
Rerna ne može da se uključi.	(1) Kabl za napajanje nije čvrsto priključen u utičnicu.	Isključite kabl za napajanje. Nakon oko 10 sekundi uključite kabl u utičnicu.
	(2) Pregoreo je osigurač, ili je zaštitna sklopka ispala.	Zamenite osigurač ili resetujte zaštitnu sklopku (popravlja tehničar iz naše kompanije).
	(3) Problem sa utičnicom.	Pokušajte da priključite neki drugi električni uređaj u istu utičnicu.
Rerna ne greje.	(4) Vrata nisu pravilno zatvorena.	Dobro zatvorite vrata.
Okretni tanjir proizvodi buku za vreme rada mikrotalasne rerne.	(5) Zaprljani su dno rerne ili noseći prsten.	Očistite rernu u skladu s poglavljem „Čišćenje“.

TEHNIČKI PODACI

Zapremina:	20 l	Nominalni napon:	230–240 V~ 50 Hz
Snaga mikrotalasa:	700 W	Nazivna snaga:	1.200 W
Tajmer:	30 minuta	Radna frekvencija:	2.450 MHz
Podešavanje snage:	6 nivoa	Buka:	55 dB
Okretni tanjir:	Ø 245 mm		
Masa:	10,5 kg		
Dimenzije:	452 × 262 × 330 mm		
Dimenzije unutrašnjeg prostora:	315 × 198 × 297 mm		

UPOTREBA I ODLAGANJE OTPADA

Papir i karton dostaviti deponiji. Foliju ambalaže, PE kese, plastične elemente odložiti u plastične kontejnere za recikliranje.

ZBRINJAVANJE PROIZVODA PO ISTEKU ROKA TRAJANJA

Zbrinjavanje električne i elektronske opreme (vredi za zemlje članice EU i druge evropske zemlje koje provode sistem recikliranja).

Simbol na proizvodu ili ambalaži znači da se proizvod ne sme tretirati kao komunalni otpad. Predati proizvod lokaciji namenjenoj za recikliranje električne i elektronske opreme. Sprečite negativni uticaj po ljudsko zdravlje i okolinu pravilnim recikliranjem proizvoda. Recikliranje pomaže očuvanju prirodnih resursa. Za više informacija o recikliranju ovog proizvoda obratite se lokalnim vlastima, organizacijama ili prodavnicima gde ste proizvod kupili.

Ovaj proizvod je u skladu s EU zahtevima o elektromagnetnoj kompatibilnosti i električnoj sigurnosti.

Zadržavamo pravo na izmenu teksta i tehničkih parametara.



08/05



ΟΔΗΓΙΕΣ ΑΣΦΑΛΕΙΑΣ

Διαβάστε προσεκτικά και φυλάξτε για μελλοντική χρήση!

Προειδοποίηση: Τα μέτρα και οι οδηγίες ασφάλειας που περιέχονται στο παρόν εγχειρίδιο δεν περιλαμβάνουν όλες τις συνθήκες και τις δυνητικές περιστάσεις. Ο χρήστης πρέπει να κατανοήσει ότι η κοινή λογική, η προσοχή και η φροντίδα είναι στοιχεία που δεν μπορούν να ενσωματωθούν σε κανένα προϊόν. Συνεπώς, αυτά τα στοιχεία πρέπει να διασφαλιστούν από τον χρήστη που λειτουργεί και χειρίζεται την εν λόγω συσκευή. Δεν φέρουμε ευθύνη για ενδεχόμενες ζημιές που προκλήθηκαν κατά τη μεταφορά ή λόγω εσφαλμένης χρήσης, διακυμάνσεων τάσης ή τροποποίησης ή μετατροπής οποιουδήποτε μέρους της συσκευής.

Για προστασία έναντι κινδύνου πυρκαγιάς ή ηλεκτροπληξίας, πρέπει να λαμβάνονται βασικές προφυλάξεις κατά τη χρήση των ηλεκτρικών συσκευών, συμπεριλαμβανομένων των ακόλουθων:

1. Βεβαιωθείτε ότι η τάση της πρίζας στον χώρο σας αντιστοιχεί στην τάση που αναφέρεται στην ετικέτα της συσκευής, καθώς και ότι η πρίζα είναι γειωμένη σωστά. Η παροχή ρεύματος πρέπει να είναι εγκατεστημένη σύμφωνα με τους ισχύοντες κανονισμούς και τα πρότυπα για ηλεκτρικές εγκαταστάσεις (EN).
2. Μην χρησιμοποιείτε τον φούρνο εάν η πόρτα έχει βλάβες, ο φούρνος δεν λειτουργεί σωστά ή το καλώδιο ρεύματος έχει φθορές.

ΠΡΟΕΙΔΟΠΟΙΗΣΗ: Είναι επικίνδυνο για οποιονδήποτε, εκτός εκπαιδευμένων ατόμων, να πραγματοποιήσει εργασίες επισκευής ή συντήρησης οι οποίες έχουν ως αποτέλεσμα την αφαίρεση οποιουδήποτε καλύμματος το οποίο παρέχει προστασία έναντι της μικροκυματικής ακτινοβολίας. Όλες οι επισκευές ή προσαρμογές, συμπεριλαμβανομένων των αλλαγών καλωδίων, πρέπει να πραγματοποιούνται από επαγγελματικό κέντρο επισκευών! Η παροχή ρεύματος AV πρέπει να αποσυνδέεται πριν από οποιαδήποτε επισκευή. Η αφαίρεση του καλύμματος με συνδεδεμένο το καλώδιο ενδέχεται να έχει ως αποτέλεσμα έκθεση του τεχνικού σε μικροκυματική ενέργεια ή την πρόκληση ηλεκτροπληξίας!

3. Προφυλάξτε τη συσκευή από απευθείας επαφή με νερό ή άλλα υγρά για να αποτρέψετε ενδεχόμενη ηλεκτροπληξία. Μην βυθίζετε το καλώδιο ή το φις μέσα σε νερό!

4. Μην χρησιμοποιείτε τον φούρνο μικροκυμάτων σε εξωτερικούς χώρους ή σε υγρό περιβάλλον και μην αγγίζετε το καλώδιο ή τη συσκευή με βρεγμένα χέρια. Κίνδυνος ηλεκτροπληξίας.
5. Απαιτείται στενή επίβλεψη κατά τη λειτουργία του φούρνου κοντά σε παιδιά!
6. Μην αφήνετε τον φούρνο μικροκυμάτων σε λειτουργία χωρίς επιτήρηση.
7. Δεν συνιστάται να αφήνετε τον φούρνο συνδεδεμένο στην πρίζα χωρίς επίβλεψη. Αποσυνδέστε το καλώδιο από την πρίζα ρεύματος πριν από οποιαδήποτε εργασία συντήρησης. Μην αποσυνδέετε το καλώδιο ρεύματος από την πρίζα τραβώντας βίαια το καλώδιο. Αποσυνδέστε το καλώδιο ρεύματος από την πρίζα πιάνοντας το φισ.
8. Μην χρησιμοποιείτε τον φούρνο μικροκυμάτων κοντά σε πηγές θερμότητας – για παράδειγμα, εστίες κουζίνας. Προφυλάξτε τη συσκευή από το άμεσο ηλιακό φως.
9. Μην αφήνετε το καλώδιο ρεύματος να αγγίζει καυτές επιφάνειες ή να διέρχεται επάνω από κοφτερές ακμές.
10. Αποτρέψτε την πρόκληση φωτιάς μέσα στον φούρνο προσέχοντας τα ακόλουθα:
 - a) Μην θερμαίνετε υπερβολικά το φαγητό.
 - b) Πριν τοποθετήσετε χάρτινες ή πλαστικές σακούλες μέσα στον φούρνο, αφαιρέστε τα κλιπ.
 - c) Μην θερμαίνετε στον φούρνο έλαια ή λίπη για τηγάνισμα, επειδή δεν μπορείτε να ρυθμίσετε τη θερμοκρασία του ελαίου. Μην αποξηραίνετε τρόφιμα μέσα στον φούρνο. Τα καυτά έλαια μπορούν να καταστρέψουν εξαρτήματα του φούρνου και σκεύη κουζίνας, καθώς και να προκαλέσουν εγκαύματα.
 - d) Μετά τη χρήση, σκουπίστε την πόρτα, το στεγανωτικό της πόρτας και το εσωτερικό του φούρνου με ένα πανί υγραμένο με διάλυμα ήπιου απορρυπαντικού και κατόπιν με στεγνό. Με αυτόν τον τρόπο αφαιρούνται όλοι οι λεκέδες, τα έλαια και τα υπολείμματα τροφών.

ΠΡΟΕΙΔΟΠΟΙΗΣΗ: Εάν η πόρτα ή το στεγανωτικό της πόρτας έχουν βλάβες ή φθορές, ο φούρνος δεν πρέπει να χρησιμοποιηθεί πριν επισκευαστεί από εκπαιδευμένο τεχνικό. Ο φούρνος πρέπει να καθαρίζεται καλά και να απομακρύνονται τυχόν υπολείμματα τροφών. Εάν ο φούρνος δεν είναι καθαρός, μπορεί να προκληθεί ζημιά στις επιφάνειές του, γεγονός το οποίο θα μπορούσε να επηρεάσει αρνητικά τη διάρκεια ζωής της

συσκευής και να προκαλέσει επικίνδυνες καταστάσεις. Οι συγκεντρώσεις υπολειμμάτων λίπους μπορεί να υπερθερμανθούν και να προκληθεί πυρκαγιά. Μην χρησιμοποιείτε αποξεστικά καθαριστικά. Η συσκευή δεν πρέπει να καθαρίζεται με ατμοκαθαριστή.

e) Εάν το φαγητό που μαγειρεύεται στον φούρνο αρχίσει να καπνίζει ή αναφλεχτεί, αφήστε κλειστή την πόρτα του φούρνου, απενεργοποιήστε τον φούρνο και αποσυνδέστε το φις του καλωδίου ρεύματος από την πρίζα για να αποτρέψετε τη διάδοση της φωτιάς.

f) Όταν χρησιμοποιείτε δοχεία μίας χρήσης κατασκευασμένα από πλαστικό, χαρτί ή άλλα εύφλεκτα υλικά, μην τα αφήνετε στον φούρνο χωρίς επίβλεψη για να αποφύγετε την ανάφλεξή τους.

11. Για να περιορίσετε τον κίνδυνο έκρηξης ή αιφνιδίου βρασμού, λάβετε υπόψη τα παρακάτω:

ΠΡΟΕΙΔΟΠΟΙΗΣΗ: Τα υγρά και τα άλλα τρόφιμα δεν πρέπει να θερμαίνονται μέσα σε κλειστά αεροστεγή δοχεία, επειδή μπορεί να εκραγούν. Τα μπιμπερό με βιδωτά καπάκια ή πιπίλες θεωρούνται επίσης σφραγισμένα δοχεία.

a) Για τη θέρμανση υγρών, χρησιμοποιήστε ένα δοχείο με φαρδύ λαιμό και, μετά τη θέρμανση, αφήστε το να ηρεμήσει για 20 δευτερόλεπτα ώστε να αποτρέψετε ενδεχόμενο εκρηκτικό βρασμό.

b) Τα αβγά με κέλυφος, τα ολόκληρα βρασμένα σφικτά αβγά, το νερό που περιέχει λίπη ή έλαια και τα σφραγισμένα γυάλινα δοχεία δεν πρέπει να θερμαίνονται στον φούρνο μικροκυμάτων, επειδή μπορεί να εκραγούν ακόμη και αφού τελειώσει η θέρμανσή τους μέσω μικροκυμάτων. Οι πατάτες, τα λουκάνικα ή τα κάστανα πρέπει να ξεφλουδίζονται ή να τρυπιούνται πριν από την τοποθέτησή τους στον φούρνο.

c) Η θέρμανση ροφημάτων μέσω μικροκυμάτων μπορεί να προκαλέσει καθυστερημένο βρασμό, γεγονός το οποίο πρέπει να λαμβάνεται υπόψη κατά το κράτημα του δοχείου.

d) Το περιεχόμενο των μπιμπερό και των δοχείων με παιδικές τροφές πρέπει να ανακατεύεται ή να ανακινείται πριν από τη χορήγηση· επίσης, πρέπει να ελέγχεται η θερμοκρασία του πριν από την κατανάλωση για την αποφυγή εγκαυμάτων.

12. Τα δοχεία είναι καυτά αφού θερμανθούν. Να χρησιμοποιείτε γάντια φούρνου όταν αφαιρείτε δοχεία από τον φούρνο. Προσέξτε να μην κάψετε το πρόσωπο και τα χέρια σας μέσω της επαφής με καυτό ατμό.

13. Να σηκώνετε πάντα πρώτα την μακρινή πλευρά του καπακιού ή της μεμβράνης περιτυλίγματος του φαγητού. Να ανοίγετε τις σακούλες ποπ κορν και τις σακούλες ψησίματος σε επαρκή απόσταση από το πρόσωπό σας.
14. Προστασία του περιστρεφόμενου δίσκου από θραύση:
- Αφήστε τον γυάλινο δίσκο να κρυώσει πριν να τον καθαρίσετε.
 - Μην τοποθετείτε καυτά πιάτα ή δοχεία επάνω σε κρύο γυάλινο δίσκο.
 - Μην τοποθετείτε κατεψυγμένα τρόφιμα ή κρύα δοχεία επάνω σε καυτό γυάλινο δίσκο.
15. Βεβαιωθείτε ότι τα δοχεία δεν αγγίζουν τα εσωτερικά τοιχώματα του φούρνου κατά τη διάρκεια της θέρμανσης.
16. Μην αποθηκεύετε τρόφιμα ή άλλα αντικείμενα μέσα στον φούρνο. Ο φούρνος μπορεί να ενεργοποιηθεί από μόνος του εάν το δίκτυο πληγεί από κεραυνό.
17. Μην χρησιμοποιείτε τον φούρνο εάν δεν περιέχει κάποιο τρόφιμο ή υγρό. Αυτή η ενέργεια μπορεί να προκαλέσει βλάβη στον φούρνο. Μην καλύπτετε ή φράσσετε οποιαδήποτε ανοίγματα του φούρνου μικροκυμάτων.
18. Να χρησιμοποιείτε μόνο αξεσουάρ που προτείνονται από τον κατασκευαστή, αλλιώς κινδυνεύετε να χάσετε την κάλυψη της εγγύησης.
19. Να χρησιμοποιείτε τον φούρνο μικροκυμάτων μόνο σύμφωνα με τις οδηγίες που παρέχονται στο παρόν εγχειρίδιο. Αυτός ο φούρνος μικροκυμάτων προορίζεται μόνο για οικιακή χρήση. Ο κατασκευαστής δεν φέρει ευθύνη για ζημιές που προκλήθηκαν λόγω ακατάλληλης χρήσης της συσκευής.
20. Ο φούρνος μικροκυμάτων είναι σχεδιασμένος για το ζέσταμα τροφίμων και ροφημάτων. Η αποξήρανση τροφίμων, το στέγνωμα ρούχων και η θέρμανση θερμοφόρων, παντοφλών, σφουγγαριών, υγρών υφασμάτων και παρόμοιων αντικειμένων μπορεί οδηγήσει σε τραυματισμούς, έκρηξη ή πυρκαγιά.
21. Η συσκευή προορίζεται για χρήση σε οικιακό περιβάλλον και παρόμοιους χώρους, όπως:
- κουζίνες σε καταστήματα, γραφεία και άλλους χώρους εργασίας
 - συσκευές που χρησιμοποιούνται στον αγροτικό κλάδο
 - συσκευές που χρησιμοποιούνται από φιλοξενούμενους σε ξενοδοχεία, μοτέλ και άλλα περιβάλλοντα διαμονής
 - συσκευές που χρησιμοποιούνται σε πανσιόν.

22. Η συσκευή μπορεί να χρησιμοποιείται από παιδιά ηλικίας 8 ετών και άνω, καθώς και από άτομα με περιορισμένες φυσικές και νοητικές ικανότητες, ή από άτομα με ανεπαρκή εμπειρία και γνώσεις, εφόσον επιβλέπονται ή έχουν εκπαιδευτεί να χρησιμοποιούν τη συσκευή με ασφάλεια και κατανοούν τους κινδύνους που ενέχει η ακατάλληλη χρήση της συσκευής. Τα παιδιά δεν πρέπει να παίζουν με τη συσκευή. Οι εργασίες καθαρισμού και συντήρησης από τον χρήστη δεν πρέπει να γίνονται από παιδιά, εκτός εάν είναι μεγαλύτερα των 8 ετών και υπό επίβλεψη.

Μην εκτίθεστε σε υπερβολική μικροκυματική ενέργεια

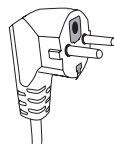
1. Μην προσπαθήσετε να θέσετε σε λειτουργία τον φούρνο εάν είναι ανοικτή η πόρτα. Με αυτήν την ενέργεια, μπορεί να εκτεθείτε σε επιβλαβή μικροκυματική ενέργεια. Μην προσπαθήσετε να παραβιάσετε ή να παρακάψετε τις διατάξεις ασφαλείας στην πόρτα του φούρνου.
2. Μην εισάγετε ξένα αντικείμενα διαμέσου της πόρτας του φούρνου. Βεβαιωθείτε ότι δεν παραμένουν ρύποι ή υπολείμματα από προϊόντα καθαρισμού στο στεγανωτικό της πόρτας ή σε εξαρτήματα στεγανοποίησης του φούρνου.
3. Μην χρησιμοποιείτε τον φούρνο εάν έχει βλάβη. Η πόρτα του φούρνου πρέπει να κλείνει απολύτως σφικτά και να μην έχει βλάβες ή φθορές. Παραδείγματα ζημιών που προκαλούνται στην πόρτα του φούρνου:
 - a) ΠΑΡΑΜΟΡΦΩΣΗ της πόρτας του φούρνου.
 - b) Χαλάρωση ή σπάσιμο των ΜΕΝΤΕΣΕΔΩΝ ή των ΔΙΑΤΑΞΕΩΝ ΑΣΦΑΛΕΙΑΣ της πόρτας.
 - c) ΣΤΕΓΑΝΩΤΙΚΟ ΤΗΣ ΠΟΡΤΑΣ Ή ΠΕΡΙΟΧΕΣ ΣΤΕΓΑΝΟΠΟΙΗΣΗΣ ΣΤΗΝ ΠΡΟΣΟΨΗ ΤΟΥ ΠΛΑΙΣΙΟΥ.Οι ρυθμίσεις ή επισκευές στον φούρνο μικροκυμάτων πρέπει να γίνονται μόνο από εξουσιοδοτημένα άτομα.
4. Όπως και με τις περισσότερες συσκευές μαγειρέματος, απαιτείται αυστηρή επίβλεψη για να αποτραπεί ο κίνδυνος πυρκαγιάς γύρω από τον φούρνο.

Σε περίπτωση πυρκαγιάς:

1. Μην ανοίγετε την πόρτα του φούρνου.
2. Απενεργοποιήστε τον φούρνο και αποσυνδέστε το καλώδιο από την πρίζα.
3. Κλείστε τον γενικό διακόπτη ρεύματος.

ΚΑΘΑΡΙΣΜΟΣ

Βεβαιωθείτε ότι αποσυνδέσατε τον φούρνο από το ρεύμα βγάζοντας το φιν από την πρίζα.



1. Χρησιμοποιήστε ένα υγρό πανί για να καθαρίσετε το εσωτερικό του φούρνου.
2. Καθαρίστε τα αξεσουάρ ως συνήθως, με νερό και σαπούνι.
3. Καθαρίστε προσεκτικά το πλαίσιο της πόρτας, το στεγανωτικό και τα γειτονικά εξαρτήματα με ένα πανί υγραμένο σε διάλυμα απορρυπαντικού για τα πιάτα και σκουπίστε τα με στεγνό πανί.

Ο φούρνος μικροκυμάτων πρέπει να γειώνεται. Το φιν πρέπει να συνδέεται μόνο σε μια σωστά γειωμένη πρίζα. Επικοινωνήστε με έναν αδειούχο ηλεκτρολόγο ή τεχνικό εάν έχετε αμφιβολίες για την ορθότητα της καλωδίωσης ή αντιμετωπίζετε δυσλειτουργίες.

1. Ο φούρνος μικροκυμάτων διαθέτει καλώδιο μικρού μήκους για μείωση του κινδύνου να μπερδευτεί ή να σκοντάψει κάποιος.
2. Τα μακριά καλώδια επέκτασης πρέπει να καλύπτουν τις ακόλουθες απαιτήσεις:
 - a) Αναφορικά με το ηλεκτρικό φορτίο, οι ονομαστικές τιμές του καλωδίου επέκτασης και των πριζών πρέπει να καλύπτουν τις ονομαστικές τιμές του φούρνου μικροκυμάτων.
 - b) Το καλώδιο επέκτασης πρέπει να είναι τριών αγωγών και το φιν πρέπει να διαθέτει ακροδέκτη γείωσης.
 - c) Το καλώδιο πρέπει να είναι καλά προφυλαγμένο ώστε να μην κρέμεται πάνω από τον πάγκο εργασίας της κουζίνας, καθώς και για να μην μπορούν να σκοντάψουν πάνω του ή να το τραβήξουν παιδιά.

ΣΚΕΥΗ ΚΑΙ ΠΙΑΤΑ

ΠΡΟΕΙΔΟΠΟΙΗΣΗ

Κίνδυνος τραυματισμού

Να χρησιμοποιείτε μόνο δοχεία τα οποία είναι κατάλληλα για φούρνους μικροκυμάτων. Τα σφικτά κλεισμένα δοχεία μπορεί να εκραγούν όταν θερμαίνονται. Πρέπει να ανοίγετε τα κλειστά δοχεία και να τρυπάτε τις πλαστικές συσκευασίες πριν από το μαγείρεμα· ανατρέξτε στην ενότητα αναφορικά με τα Υλικά για πληροφορίες σχετικά με τα υλικά που (δεν) επιτρέπεται να χρησιμοποιούνται σε φούρνο μικροκυμάτων. Ορισμένα μη μεταλλικά υλικά δεν μπορούν να χρησιμοποιούνται με ασφάλεια



Καυτή επιφάνεια!

για θέρμανση στον φούρνο. Εάν έχετε αμφιβολίες σχετικά με το εάν το υλικό είναι ασφαλές για θέρμανση στον φούρνο, κάντε τα ακόλουθα:

Δοκιμάστε το δοχείο:

1. Γεμίστε το δοχείο που θέλετε να θερμάνετε στον φούρνο μικροκυμάτων με κρύο νερό (250 ml).
2. Ζεστάνετέ το για 1 λεπτό στη μέγιστη ισχύ μαγειρέματος.
3. Ελέγξτε προσεκτικά τη θερμοκρασία του δοχείου που δοκιμάσατε. Εάν το δοχείο που δοκιμάσατε είναι ζεστό, μην το χρησιμοποιείτε για θέρμανση στον φούρνο.
4. **Μην το ζεσταίνετε για περισσότερο από 1 λεπτό.**

ΚΙΝΔΥΝΟΣ για παιδιά: Τα παιδιά δεν πρέπει να παίζουν με τα υλικά συσκευασίας. Μην αφήνετε τα παιδιά να παίζουν με τις πλαστικές σακούλες. Κίνδυνος ασφυξίας.

Υλικά που μπορείτε να χρησιμοποιείτε σε φούρνο μικροκυμάτων

Πιάτα	Σημειώσεις
Φόρμες	Ακολουθήστε τις οδηγίες του κατασκευαστή. Ο πάτος της φόρμας πρέπει να βρίσκεται τουλάχιστον 5 χιλ. πάνω από το περιστρεφόμενο πλάτο. Ο λανθασμένος χειρισμός μπορεί να οδηγήσει σε θραύση του περιστρεφόμενου πλάτου.
Ταψιά	Να χρησιμοποιείτε μόνο ταψιά και πιάτα σχεδιασμένα για χρήση σε φούρνους μικροκυμάτων. Ακολουθήστε τις οδηγίες του κατασκευαστή. Μην χρησιμοποιείτε μπλ με ρωγμές ή άλλες φθορές.
Ποτήρια και κούπες	Να αφαιρείτε πάντα το καπάκι. Να ζεσταίνετε μόνο το τρόφιμο. Μην το μαγειρεύετε! Οι περισσότερες γυάλινες κούπες και τα ποτήρια δεν αντέχουν σε υψηλές θερμοκρασίες και μπορεί να σπάσουν.
Γυάλινα ταψιά	Να χρησιμοποιείτε μόνο γυάλινα ταψιά ανθεκτικά στις υψηλές θερμοκρασίες. Ελέγξτε ότι το μπλ δεν έχει μεταλλική μπρονζούρα ή άλλα μεταλλικά αξεσουάρ. Μην χρησιμοποιείτε μπλ με ρωγμές ή άλλες φθορές.
Σακούλες ψησίματος	Ακολουθήστε τις οδηγίες του κατασκευαστή. Μην τις κλείνετε με μεταλλικά κλιπ. Αφήστε το κλείσιμο ελαφρώς ανοικτό ώστε να μπορεί να διαφύγει ο καυτός ατμός.
Χάρτινα ταψιά.	Είναι κατάλληλα μόνο για ζέσταμα ή σύντομο μαγείρεμα. Μην αφήνετε τον φούρνο χωρίς επίβλεψη κατά το μαγείρεμα.
Χάρτινες πετσέτες	Χρησιμοποιήστε τις για την κάλυψη τροφίμων και την απορρόφηση του λιωμένου λίπους. Χρησιμοποιήστε τις μόνο για σύντομο μαγείρεμα. Μην αφήνετε χωρίς επίβλεψη κατά το μαγείρεμα.
Χαρτί ψησίματος	Χρησιμοποιήστε το για την κάλυψη τροφίμων, την κάλυψη τροφίμων κατά το βράσιμο και την αποτροπή του πιτσιλίσματος μέσα στον φούρνο.
Πλαστικά υλικά	Να χρησιμοποιείτε μόνο ταψιά και πιάτα σχεδιασμένα για χρήση σε φούρνους μικροκυμάτων. Ακολουθήστε τις οδηγίες του κατασκευαστή. Τα πλαστικά υλικά που είναι κατάλληλα για χρήση σε φούρνο μικροκυμάτων πρέπει να φέρουν σαφή επισήμανση: «Κατάλληλο για φούρνους μικροκυμάτων». Ορισμένα πλαστικά μαλακώνουν λόγω του μεγάλου χρόνου έκθεσης σε υψηλές θερμοκρασίες. Οι «σακούλες μαγειρέματος» και οι «σακούλες ψησίματος» πρέπει να κόβονται, να τρυπιούνται ή να διαθέτουν άλλα ανοίγματα αερισμού, ανάλογα με τις οδηγίες του κατασκευαστή.
Πλαστικές μεμβράνες περιτυλίγματος	Να χρησιμοποιείτε μόνο ταψιά και πιάτα σχεδιασμένα για χρήση σε φούρνους μικροκυμάτων. Χρησιμοποιήστε τις για την κάλυψη τροφίμων και τη διατήρηση της υγρασίας των τροφίμων κατά το μαγείρεμα. Βεβαιωθείτε ότι η πλαστική μεμβράνη δεν αγγίζει το φαγητό που παρασκευάζετε.
Θερμόμετρα	Να χρησιμοποιείτε μόνο θερμόμετρα σχεδιασμένα για χρήση σε φούρνους μικροκυμάτων. (Θερμόμετρα για κρέας, γλυκά και κέικ.)
Λαδόκολλα	Χρησιμοποιήστε την για την κάλυψη των τροφίμων ώστε να μην λερώνεται το εσωτερικό του φούρνου με πιτσιλιές και τη διατήρηση της υγρασίας των τροφίμων κατά το μαγείρεμα.

Υλικά που δεν πρέπει να χρησιμοποιείτε όταν μαγειρεύετε σε φούρνο μικροκυμάτων

Εξοπλισμός και πιάτα	Σημειώσεις
Ταψιά και πιάτα αλουμινίου	Κίνδυνος παραμόρφωσης. Μεταφέρετε το τρόφιμο σε δοχείο κατάλληλο για μαγείρεμα σε φούρνο μικροκυμάτων.
Κουτιά από χαρτί και χαρτόνι με μεταλλική λαβή	Κίνδυνος παραμόρφωσης. Μεταφέρετε το τρόφιμο σε δοχείο κατάλληλο για μαγείρεμα σε φούρνο μικροκυμάτων.
Μεταλλικά πιάτα και πιάτα με μεταλλικά εξαρτήματα	Το μέταλλο δεν επιτρέπει τη διείσδυση της μικροκυματικής ενέργειας. Το μεταλλικό χείλος μπορεί να παραμορφωθεί.
Συρμάτινοι δακτύλιοι κλεισίματος	Κίνδυνος παραμόρφωσης και φωτιάς μέσα στον φούρνο.
Χάρτινες σακούλες	Μπορεί να πιάσουν φωτιά. Κίνδυνος φωτιάς μέσα στον φούρνο.
Αφρώδη υλικά	Υπό την επίδραση της θερμότητας το αφρώδες πλαστικό μπορεί να λιώσει και να επιδράσει αρνητικά στην ποιότητα του φαγητού.
Ξύλο	Το ξύλο αποξηραίνεται και μπορεί να σπάσει κατά το μαγείρεμα.

ΕΓΚΑΤΑΣΤΑΣΗ ΤΟΥ ΠΕΡΙΣΤΡΕΦΟΜΕΝΟΥ ΠΛΑΤΟΥ



1. Μην τοποθετείτε ποτέ το γυάλινο πιατό με την κάτω πλευρά προς τα επάνω. Το γυάλινο πιατό πρέπει πάντα να περιστρέφεται ελεύθερα.
2. Μην χρησιμοποιείτε ποτέ τον φούρνο χωρίς τον δακτύλιο οδήγησης και το γυάλινο πιατό.
3. Όλα τα τρόφιμα και τα δοχεία με τρόφιμα πρέπει να τοποθετούνται πάντα επάνω στο γυάλινο πιατό.
4. Εάν σπάσει το γυάλινο πιατό ή πάθει ζημιά ο δακτύλιος οδήγησης, επικοινωνήστε με το κοντινότερο εξουσιοδοτημένο κέντρο επισκευών.

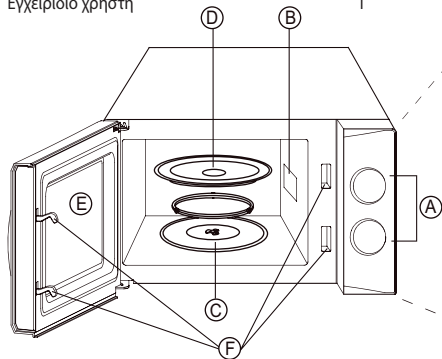
ΣΥΝΑΡΜΟΛΟΓΗΣΗ ΤΟΥ ΦΟΥΡΝΟΥ ΜΙΚΡΟΚΥΜΑΤΩΝ

Ονόματα των εξαρτημάτων και των αξεσουάρ του φούρνου

Αποσυσκευάστε τον φούρνο και όλα τα αξεσουάρ.

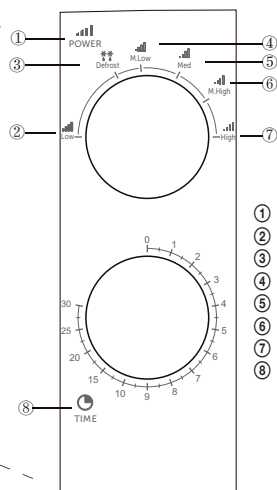
Ο φούρνος παρέχεται με τα ακόλουθα αξεσουάρ:

- Γυάλινο πιατό 1
- Συναρμολογημένος δακτύλιος οδήγησης 1
- Εγχειρίδιο χρήστη 1



- Α Πίνακας ελέγχου
- Β Κυματοηδός
- Γ Συναρμολογημένος δακτύλιος οδήγησης
- Δ Γυάλινο πιατό

- Ε Παράθυρο
- Φ Σύστημα διατάξεων ασφαλείας (Διακόπτει την παροχή ηλεκτρικής ενέργειας εάν ανοίξει η πόρτα κατά το μαγείρεμα.)



- ① Έξοδος ισχύος
- ② Χαμηλή
- ③ Απόψυξη
- ④ Μέτρια-χαμηλή
- ⑤ Μέτρια
- ⑥ Μέτρια-υψηλή
- ⑦ Υψηλή
- ⑧ Χρονόμετρο (λεπτά)

ΕΓΚΑΤΑΣΤΑΣΗ

Αφαιρέστε όλα τα υλικά συσκευασίας και βγάλτε όλα τα αξεσουάρ.

Ελέγξτε ότι ο φούρνος δεν έχει οποιαδήποτε ζημιά (πόρτα με φθορές ή παραμόρφωση κ.λπ.). Μην εγκαθιστάτε τον φούρνο εάν έχει οποιαδήποτε ζημιά.

Επιφάνεια πάγκου κουζίνας

Σώμα του φούρνου: Αφαιρέστε όλα προστατευτικά φύλλα από την επιφάνεια του φούρνου.

Μην αφαιρέσετε το ανοικτό καφέ φύλλο που είναι βιδωμένο στο εσωτερικό του φούρνου. Αυτό το φύλλο προστατεύει τη λυχνία μάγνητρον του φούρνου.

ΕΓΚΑΤΑΣΤΑΣΗ

1. Τοποθετήστε τον φούρνο σε μια επίπεδη επιφάνεια, στην οποία εξασφαλίζεται επαρκής ελεύθερος χώρος για τη σωστή λειτουργία των ανοιγμάτων εξαερισμού.

Η απόσταση μεταξύ του φούρνου και του κοντινότερου τοίχου πρέπει να είναι τουλάχιστον 7,5 εκ.

Τουλάχιστον μία πλευρά πρέπει να ελεύθερη.

α) Αφήστε τουλάχιστον 30 εκ. ελεύθερου χώρου πίσω από τον φούρνο.

β) Μην αφαιρέτε τα σκέλη του φούρνου.

γ) Μην μπλοκάρτε τα ανοίγματα εξαερισμού. Ο φούρνος ενδέχεται να πάθει βλάβη.

δ) Τοποθετήστε τον φούρνο όσο το δυνατόν πιο μακριά από συσκευές ραδιοφώνου ή τηλεόρασης.

Ο φούρνος μικροκυμάτων μπορεί να προκαλέσει παρεμβολές στα τηλεοπτικά ή ραδιοφωνικά σήματα.

2. Συνδέστε τον φούρνο σε ένα τυπικό δίκτυο ηλεκτρικού ρεύματος. Βεβαιωθείτε ότι η τάση και η συχνότητα που αναφέρονται στην ετικέτα του φούρνου ταιριάζουν με τις τιμές τάσης και συχνότητας του δικτύου ρεύματος.

ΠΡΟΣΟΧΗ: Μην εγκαθιστάτε τον φούρνο επάνω από τις εστίες τις κουζίνας ή κοντά τους, ούτε κοντά σε άλλες πηγές που ακτινοβολούν θερμότητα. Η τοποθέτηση του φούρνου κοντά σε πηγές που ακτινοβολούν θερμότητα μπορεί να

προκαλέσει βλάβη του φούρνου και ακύρωση της εγγύησης.

Ο φούρνος μικροκυμάτων είναι σχεδιασμένος για χρήση σε ανοικτό χώρο και δεν πρέπει να τοποθετείται μέσα σε ντουλάπια.

Η επιφάνεια του φούρνου μικροκυμάτων μπορεί να αναπτύξει υψηλή θερμοκρασία κατά τη λειτουργία.

Πίνακας ελέγχου και λειτουργίες

1. Ρυθμίστε την έξοδο ισχύος γυρίζοντας τον μηχανισμό (Power) στο επιθυμητό επίπεδο.

2. Ανάλογα με το φαγητό που ετοιμάζετε, ρυθμίστε τον χρόνο μαγειρέματος περιστρέφοντας τον μηχανισμό χρονόμετρου (Time) στο επιθυμητό διάστημα (μέγ. 30 λεπτά).

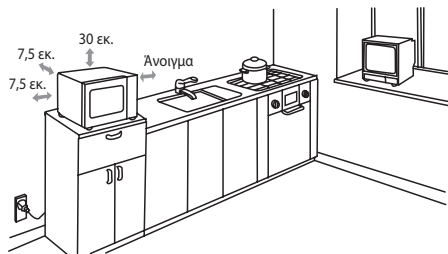
3. Ο φούρνος μικροκυμάτων ξεκινάει αυτόματα μόλις ρυθμιστεί η έξοδος ισχύος και ο χρόνος.

4. Αφού περάσει ο καθορισμένος χρόνος μαγειρέματος, ο φούρνος απενεργοποιείται αυτόματα.

5. Αφήστε τον μηχανισμό χρονόμετρου στο «0» εάν δεν θα χρησιμοποιήσετε τον φούρνο.

Σημείωση: Για να επιλέξετε χρόνο μαγειρέματος μικρότερο από 2 λεπτά, γυρίστε τον μηχανισμό μετά από την ένδειξη των 2 λεπτών και κατόπιν επαναφερέτε τον στην επιθυμητή τιμή.

Λειτουργίες	Έξοδος ισχύος	Εφαρμογή
Low (χαμηλή)	17 %	Μαλάκωμα παγωτού
Defrost (απόψυξη)	40 %	Απόψυξη
M. Low (μέτρια-χαμηλή)	48 %	Προετοιμασία σούπας, μαλάκωμα βουτύρου
Med (μέτρια)	66 %	Σιγοβράσιμο κρέατος, ψαριού
M. High (μεσαία-υψηλή)	85 %	Ρύζι, ψάρι, κοτόπουλο, κίμας
High (υψηλή)	100 %	Ζέσταμα γάλακτος, βράσιμο νερού, λαχανικών, ροφημάτων



ΑΝΤΙΜΕΤΩΠΙΣΗ ΠΡΟΒΛΗΜΑΤΩΝ

Κοινά	
Ο φούρνος μικροκυμάτων προκαλεί παρεμβολές στη λήψη της τηλεόρασης.	Κατά τη λειτουργία του, ο φούρνος μικροκυμάτων μπορεί να προκαλέσει παρεμβολές στη λήψη ραδιοφωνικών και τηλεοπτικών προγραμμάτων. Είναι παρόμοιου τύπου με τις παρεμβολές που δημιουργούν οι μικρές ηλεκτρικές συσκευές, όπως τα μίξερ, οι ηλεκτρικές σκούπες και οι ηλεκτρικοί ανεμιστήρες.
Το φως στο εσωτερικό του φούρνου έχει χαμηλή ένταση.	Όταν χρησιμοποιείτε ρύθμιση χαμηλής ισχύος, η ένταση του φωτός στο εσωτερικό του φούρνου ενδέχεται να μειωθεί.
Συσσωρεύεται ατμός στην πόρτα, βγαίνει καυτός αέρας από τα ανοίγματα.	Κατά το μαγείρεμα, μπορεί να παράγεται ατμός από το φαγητό. Το μεγαλύτερο μέρος του θα διαφύγει από τα ανοίγματα εξαερισμού, αλλά ένα τμήμα του μπορεί να συσσωρευτεί σε μια ψυχρότερη περιοχή, όπως η πόρτα. Αυτό είναι φυσιολογικό.
Ενεργοποιήσατε κατά λάθος τον φούρνο ενώ ήταν άδειος.	Δεν πρέπει να ενεργοποιείτε τον φούρνο όταν είναι άδειος. Είναι πολύ επικίνδυνο.

Πρόβλημα	Πιθανή αιτία	Λύση
Δεν μπορείτε να ενεργοποιήσετε τον φούρνο.	(1) Το καλώδιο δεν έχει εισαχθεί σωστά στην πρίζα ρεύματος.	Τραβήξτε το φως του καλωδίου και αποσυνδέστε το από την πρίζα. Μετά από περίπου 10 δευτερόλεπτα, εισάγετε ξανά το φως του καλωδίου ρεύματος στην πρίζα.
	(2) Κήκε κάποια ασφάλεια ή «έπεσε» ο ασφαλειοδιακόπτης του κυκλώματος.	Αλλάξτε την ασφάλεια ή ενεργοποιήστε τον ασφαλειοδιακόπτη (επισκευή από τεχνικό της εταιρείας μας).
	(3) Πρόβλημα με την πρίζα ρεύματος.	Δοκιμάστε να συνδέσετε μια διαφορετική ηλεκτρική συσκευή στην πρίζα.
Ο φούρνος δεν θερμαίνει.	(4) Η πόρτα δεν έχει κλείσει σωστά.	Κλείστε σωστά την πόρτα.
Το γυάλινο πλάτο κάνει θόρυβο κατά τη λειτουργία του φούρνου.	(5) Είναι λερωμένο το περιστρεφόμενο εξάρτημα από κάτω ή το δάπεδο του φούρνου.	Καθαρίστε τον φούρνο σύμφωνα με τις οδηγίες στο κεφάλαιο «Καθαρισμός».

ΤΕΧΝΙΚΑ ΣΤΟΙΧΕΙΑ

Χωρητικότητα:	20 l	Ονομαστική τάση:	230–240 V~ 50 Hz
Έξοδος ισχύος μικροκυμάτων:	700 W	Ονομαστική είσοδος ισχύος:	1.200 W
Χρονοδιακόπτης:	30 λεπτά	Συχνότητα λειτουργίας:	2.450 MHz
Διαθέσιμα επίπεδα ισχύος:	6 επίπεδα	Επίπεδο θορύβου:	55 dB
Περιστρεφόμενο πλάτο:	Ø 245 χιλ.		
Βάρος:	10,5 κιλά		
Διαστάσεις:	452 × 262 × 330 χιλ.		
Εσωτερικές διαστάσεις:	315 × 198 × 297 χιλ.		

ΧΡΗΣΗ ΚΑΙ ΑΠΟΡΡΙΨΗ ΑΠΟΒΛΗΤΩΝ

Χαρτί περιτυλίγματος και αυλακωτό χαρτόνι – παραδώστε σε σημείο ανακύκλωσης. Μεμβράνη συσκευασίας, σακούλες PE, πλαστικά στοιχεία – πετάξτε σε κάδους ανακύκλωσης πλαστικών.

ΑΠΟΡΡΙΨΗ ΠΡΟΪΟΝΤΩΝ ΣΤΟ ΤΕΛΟΣ ΤΗΣ ΖΩΗΣ ΤΟΥΣ

Απόρριψη ηλεκτρικού και ηλεκτρονικού εξοπλισμού (ισχύει σε χώρες μέλη της ΕΕ και άλλες ευρωπαϊκές χώρες που εφαρμόζουν σύστημα ανακύκλωσης)

Το απεικονιζόμενο σύμβολο στο προϊόν ή στη συσκευασία σημαίνει ότι το προϊόν δεν πρέπει να αντιμετωπίζεται ως σύνηθες οικιακό απόβλητο. Παραδώστε το προϊόν στο προβλεπόμενο σημείο για την ανακύκλωση ηλεκτρικού και ηλεκτρονικού εξοπλισμού. Αποτρέψτε τις αρνητικές επιπτώσεις στην ανθρώπινη υγεία και στο περιβάλλον ανακυκλώνοντας σωστά το προϊόν σας.

Η ανακύκλωση συμβάλλει στη διατήρηση των φυσικών πόρων. Για περισσότερες πληροφορίες σχετικά με την ανακύκλωση αυτού του προϊόντος, επικοινωνήστε με τις τοπικές αρχές, τον τοπικό οργανισμό επεξεργασίας απορριμμάτων ή το κατάστημα από το οποίο αγοράσατε το προϊόν.

Αυτό το προϊόν συμμορφώνεται με τις απαιτήσεις της οδηγίας της ΕΕ σχετικά με την ηλεκτρομαγνητική συμβατότητα και την ηλεκτρική ασφάλεια.

Το εγχειρίδιο οδηγιών είναι διαθέσιμο στην τοποθεσία Web www.ecg-electro.eu.

Με την επιφύλαξη αλλαγών στο κείμενο και στις τεχνικές παραμέτρους.



08/05



www.ecg-electro.eu

Deutsch

K+B Progres, a.s./AG.
Barbaraweg 2, DE-93413 Cham
Bei Beschwerden rufen Sie die Telefonnummer
09971/4000-6080 an. (Mo – Fr 9:00 – 16:00)

Čeština

K+B Progres, a.s.
U Expertu 91
250 69 Klíčany
tel.: +420 272 122 111
e-mail: ECG@kbexpert.cz

Eesti keel

K+B Progres, a.s.
U Expertu 91
250 69 Klíčany, Czech Rep.
tel.: +420 272 122 111
e-post: ECG@kbexpert.cz

Español

K+B Progres, a.s.
U Expertu 91
250 69 Klíčany, Czech Rep.
tel.: +44 776 128 6651 (English)
e-mail: ECG@kbexpert.cz

Français

K+B Progres, a.s.
U Expertu 91
250 69 Klíčany, Czech Rep.
tél: +44 776 128 6651 (English)
e-mail: ECG@kbexpert.cz

Hrvatski

K+B Progres, a.s.
U Expertu 91
250 69 Klíčany, Czech Rep.
tel.: +420 272 122 111
e-mail: informacije@kbprogres.cz

Bosanski

K+B Progres, a.s.
U Expertu 91
250 69 Klíčany, Czech Rep.
tel.: +420 272 122 111
e-mail: informacije@kbprogres.cz

Italiano

K+B Progres, a.s.
1U Expertu 91
250 69 Klíčany, Czech Rep.
tel.: +44 776 128 6651 (English)
e-mail: ECG@kbexpert.cz

Latviešu valoda

K+B Progres, a.s.
U Expertu 91
250 69 Klíčany, Czech Rep.
tel.: +420 272 122 111
e-pasts: ECG@kbexpert.cz

Lietuvių kalba

K+B Progres, a.s.
U Expertu 91
250 69 Klíčany, Czech Rep.
tel.: +420 272 122 111
el. paštas: ECG@kbexpert.cz

Magyar

K+B Progres, a.s.
U Expertu 91
250 69 Klíčany, Czech Rep.
tel.: +420 272 122 111
e-mail: ECG@kbexpert.cz

Polski

K+B Progres, a.s.
U Expertu 91
250 69 Klíčany, Czech Rep.
tel.: +420 272 122 111
e-mail: ECG@kbexpert.cz

Slovenčina

Distribútor pre SR: K+B Progres, a. s., organizačná zložka
Mlynské Nivy 71
821 05 Bratislava
e-mail: ECG@kbexpert.cz

Slovenščina

K+B Progres, a.s.
U Expertu 91
250 69 Klíčany, Czech Rep.
tel.: +420 272 122 111
e-mail: informacije@kbprogres.cz

Srpski

K+B Progres, a.s.
U Expertu 91
250 69 Klíčany, Czech Rep.
tel.: +420 272 122 111
e-pošta: informacije@kbprogres.cz

Crnogorski

K+B Progres, a.s.
U Expertu 91
250 69 Klíčany, Czech Rep.
tel.: +420 272 122 111
e-pošta: informacije@kbprogres.cz

Ελληνικά

K+B Progres, a.s.
U Expertu 91
250 69 Klíčany, Δημοκρατία της Τσεχίας
tel.: +420 272 122 111
e-mail: ECG@kbexpert.cz

■ The manufacturer takes no responsibility for printing errors contained in the product's user's manual. ■ Der Importeur haftet nicht für Druckfehler in der Bedienungsanleitung des Produkts. ■ Výrobce neručí za tiskové chyby obsažené v návodu k použití výrobku. ■ Tootja ei vastuta toote kasutusjuhendis leiduvate trükkivigade eest. ■ El fabricante no asume ninguna responsabilidad por errores de impresión en el manual del usuario del producto. ■ Le fabricant ne peut être tenu responsable des erreurs d'impression contenues dans le mode d'emploi du produit. ■ Proizvođač ne snosi odgovornost za tiskarske greške u uputama. ■ Il produttore non sarà ritenuto responsabile per eventuali errori di stampa contenuti nel manuale d'uso del prodotto. ■ Ražotājs neuzņemas atbildību par drukas kļūdām ierīces rokasgrāmātā. ■ Gamintojas neapsiima atsakomybės dėl spausdinimo klaidų, pasitaikančių gaminio naudojimo vadove. ■ A gyártó nem felel a termék használati útmutatójában fellelhető nyomdahibákért. ■ Producent nie ponosi odpowiedzialności za błędy drukarskie w instrukcji obsługi produktu. ■ Dovozca neručí za tlačové chyby obsiahnuté v návode na použitie výrobku. ■ Proizvajalec ne jamči za morebitne tiskovne napake v navodilih za uporabo izdelka. ■ Proizvođač ne preuzima nikakvu odgovornost za štamparske greške sadržane u uputstvima za upotrebu proizvoda. ■ Ο κατασκευαστής δεν φέρει καμία ευθύνη για τα τυπογραφικά σφάλματα που περιέχονται στο χειρικό βιβλίο χρήστη του προϊόντος.