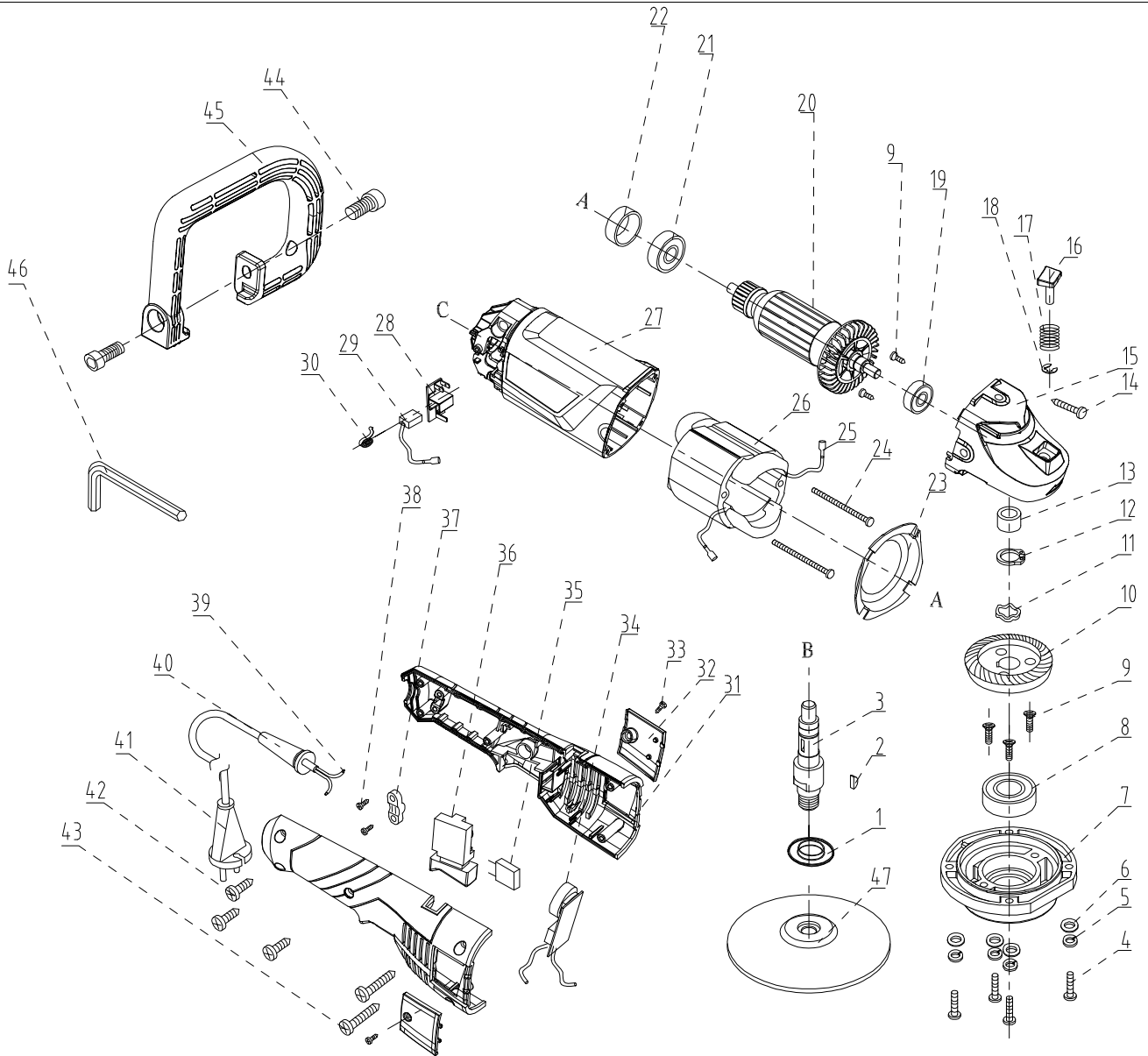


# PS1200-180 (UK6850)



Autodesk 教育版产品制作

Autodesk 教育版产品制作

序号	名称	数量	序号	名称	数量	序号	名称	数量
	dust cap	1	21	bearing 627	1	41	cord	1
2	woodruff key	1	22	Rubber Bush	1	42	screw ST4X16	3
3	Spindle	1	23	fan guide	1	43	screw ST4X30	2
4	screwM4X14	4	24	screw ST4X70	2	44	hex screwM8X15	2
5	washer	4	25	spring	2	45	<b>D handle</b>	1
6	Washer	4	26	stator	1	46	hex wrench	1
7	fore cover	1	27	plastic housing	1	47	polishing pad	1
8	ball bearing 6201	4	28	brush holder	2	48		
9	screw M5X10	5	29	carbon brush	2	49		
10	big gear	1	30	coil spring	2	50		
11	washer	1	31	back housing	1	51		
12	Circlip for Shaft	1	32	housing cover	1	52		
13	Needle Bearing <b>HK0810</b>	1	33	screw ST3X10	2	53		
14	screw ST4X20	4	34	PCB	2	54		
15	reducer	1	35	capacitance	1	55		
16	brake pin	1	36	switch	1	56		
17	spring	1	37	cord clip	1	57		
18	E ring	1	38	screw ST4X14	2	58		
19	bearing 6001	1	39	shank button	4	59		
20	armature	1	40	cord sleeve	1	60		

Autodesk 教育版产品制作